



US00D807938S

(12) **United States Design Patent**
Chen

(10) **Patent No.:** **US D807,938 S**
(45) **Date of Patent:** **** Jan. 16, 2018**

- (54) **OVER-THE-EAR CAMERA**
- (71) Applicant: **Healthmate International, LLC,**
Kansas City, MO (US)
- (72) Inventor: **Shawn Chen,** Kansas City, MO (US)
- (73) Assignee: **Healthmate International, LLC,**
Kansas City, MO (US)
- (**) Term: **15 Years**
- (21) Appl. No.: **29/550,660**
- (22) Filed: **Jan. 6, 2016**
- (51) **LOC (11) Cl.** **16-01**
- (52) **U.S. Cl.**
USPC **D16/200**
- (58) **Field of Classification Search**
USPC D16/200, 202, 203, 342, 217-219;
D14/138 C, 138 R, 205, 317;
348/373-376; 381/370, 377, 380, 381
CPC H04R 5/033; H04R 5/0335; H04R 1/10;
G03B 17/02; G03B 15/03; G03B 17/04;
G03B 17/56
See application file for complete search history.

D656,490	S	*	3/2012	Birger	D14/223
8,139,808	B2	*	3/2012	Liu	H04M 1/05 381/330
D675,600	S	*	2/2013	Koch	D14/223
D707,659	S	*	6/2014	Henning	D14/223
D734,309	S	*	7/2015	Moon	D14/248
D767,568	S	*	9/2016	McWilliam	D14/358
D772,203	S	*	11/2016	Zeng	D14/223
D775,610	S	*	1/2017	Nakajima	D14/223
D776,275	S	*	1/2017	Ben-Moshe	D24/137
2003/0012396	A1	*	1/2003	Smith	H04R 1/105 381/381

* cited by examiner

Primary Examiner — Derrick Holland
Assistant Examiner — Yolanda Robinson
(74) *Attorney, Agent, or Firm* — Erickson Kernell IP, LLC

(57) **CLAIM**

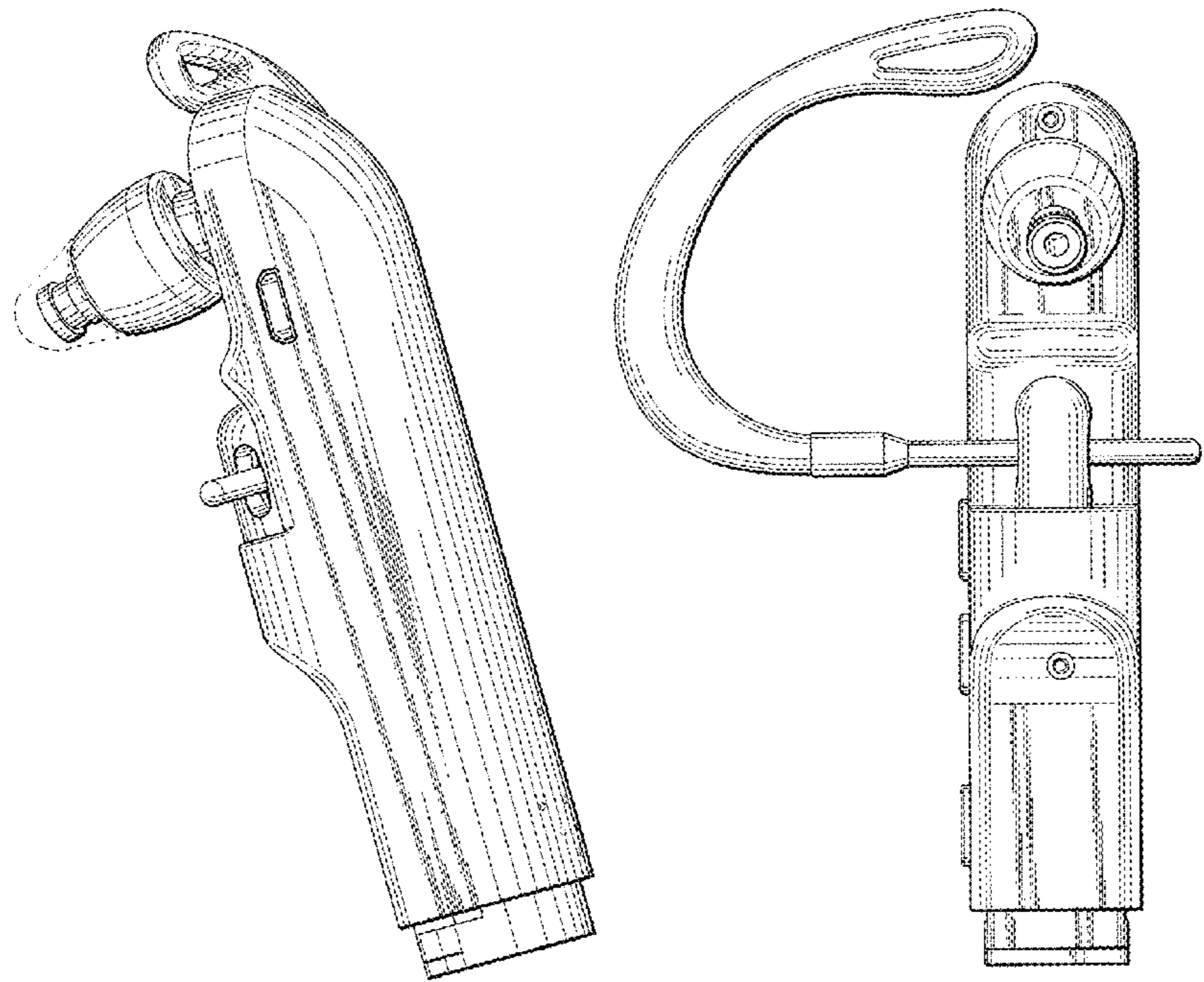
The ornamental design for an over-the-ear camera, as shown and described.

DESCRIPTION

FIG. 1 a bottom perspective view of an over-the-ear camera showing my new design;
FIG. 2 is a side perspective view thereof;
FIG. 3 is a right side view thereof;
FIG. 4 is a top view thereof;
FIG. 5 is a bottom view thereof;
FIG. 6 is a left side view thereof;
FIG. 7 is a rear view thereof; and,
FIG. 8 is a front view thereof.
The broken lines shown represent unclaimed subject matter and form no part of the claimed design.

1 Claim, 7 Drawing Sheets

- (56) **References Cited**
U.S. PATENT DOCUMENTS
D539,787 S * 4/2007 Kim D14/223
D542,267 S * 5/2007 Cha D14/206
D568,301 S * 5/2008 Kim D14/205
D573,983 S * 7/2008 Bang D14/223
D590,377 S * 4/2009 Bradford D14/223
D634,305 S * 3/2011 Hoggarth D14/223
D643,420 S * 8/2011 Huang D14/223



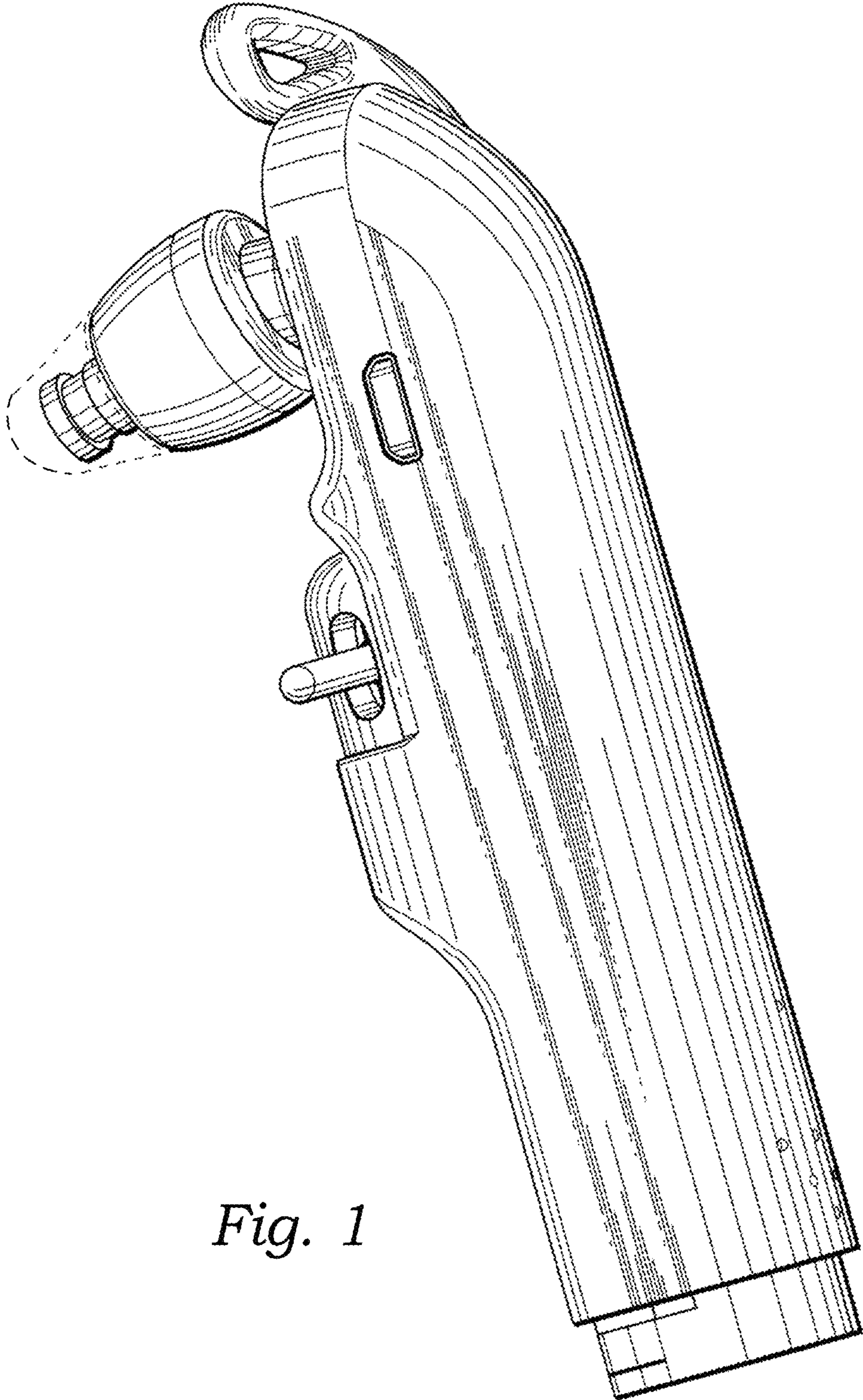


Fig. 1

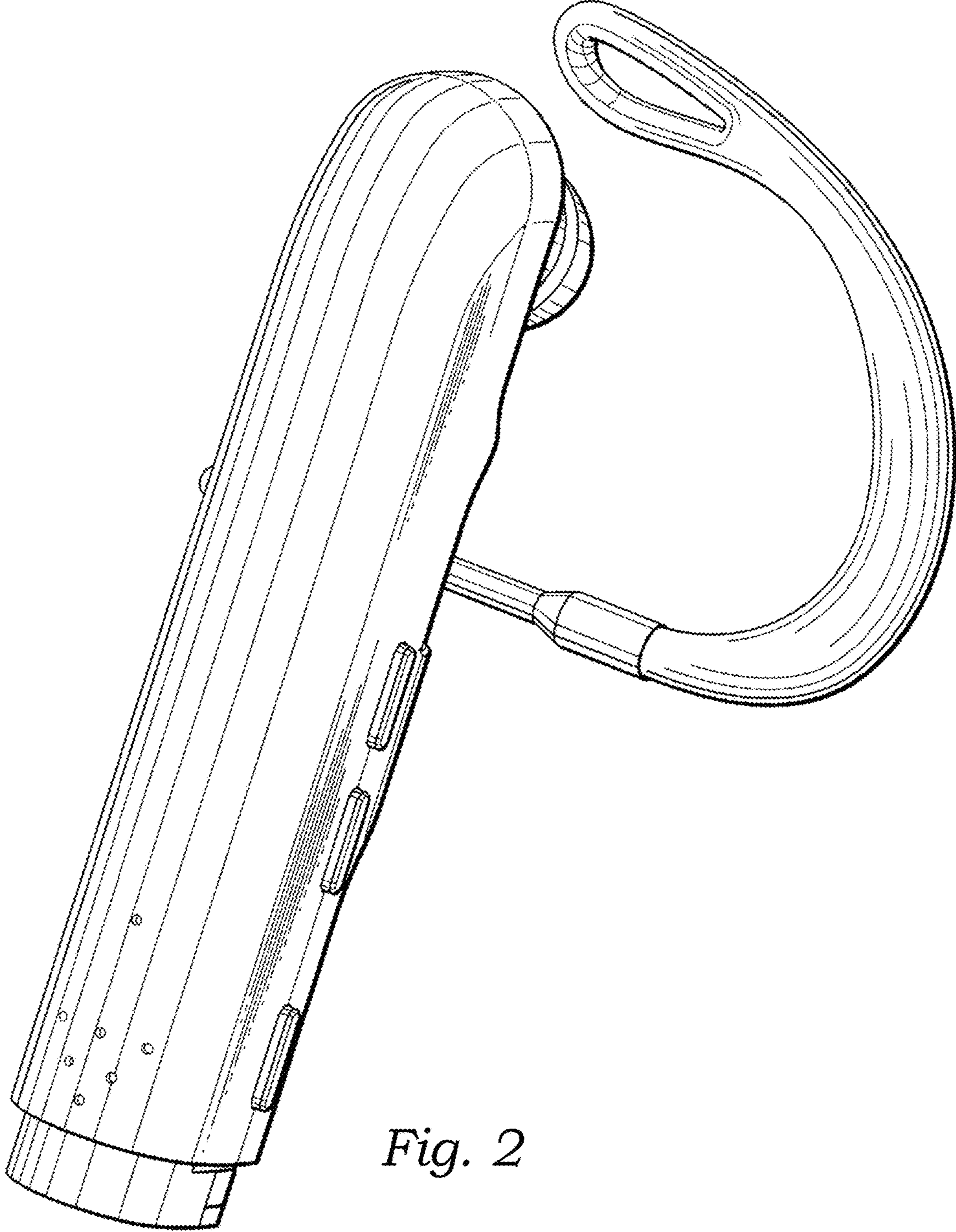


Fig. 2

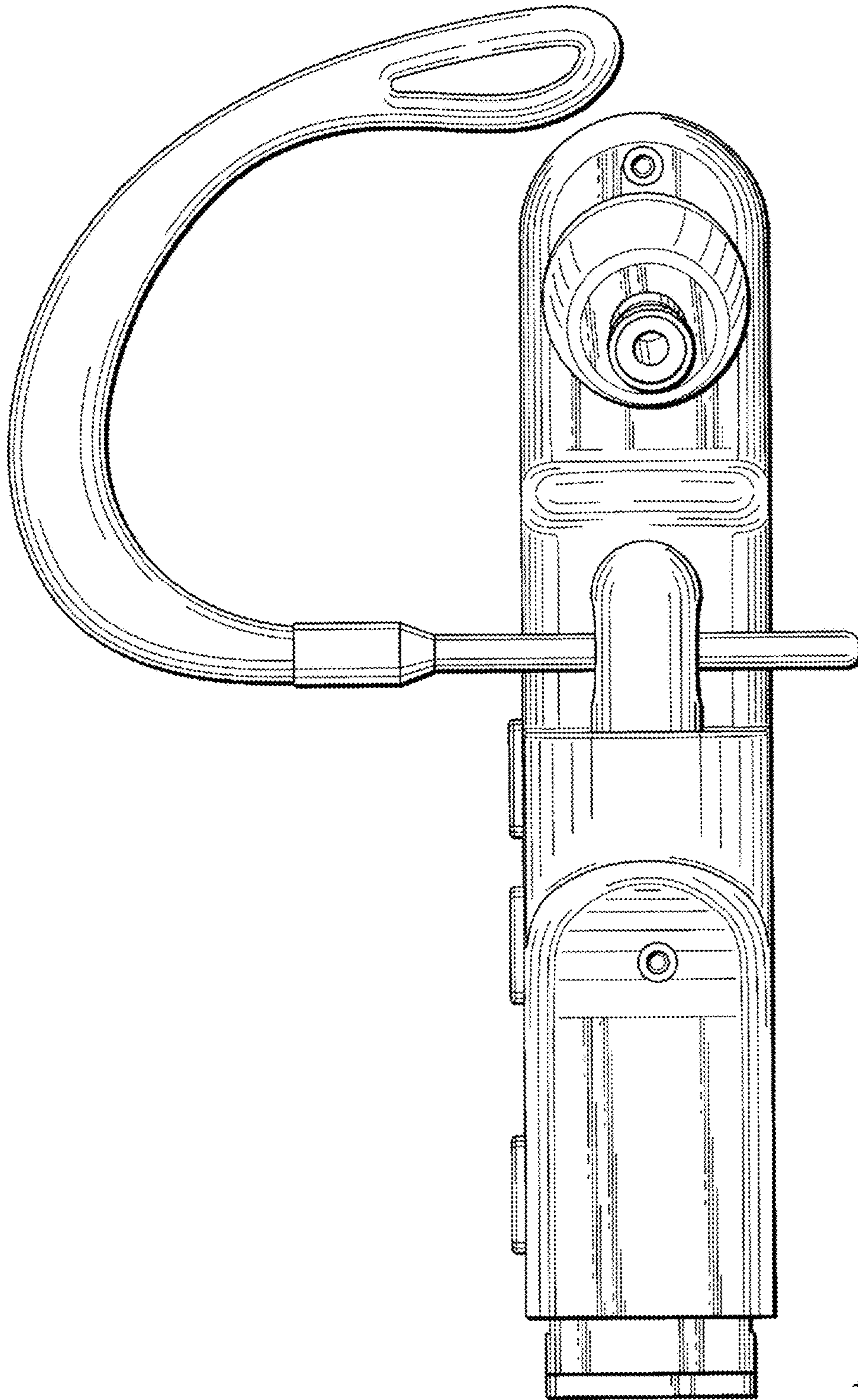


Fig. 3

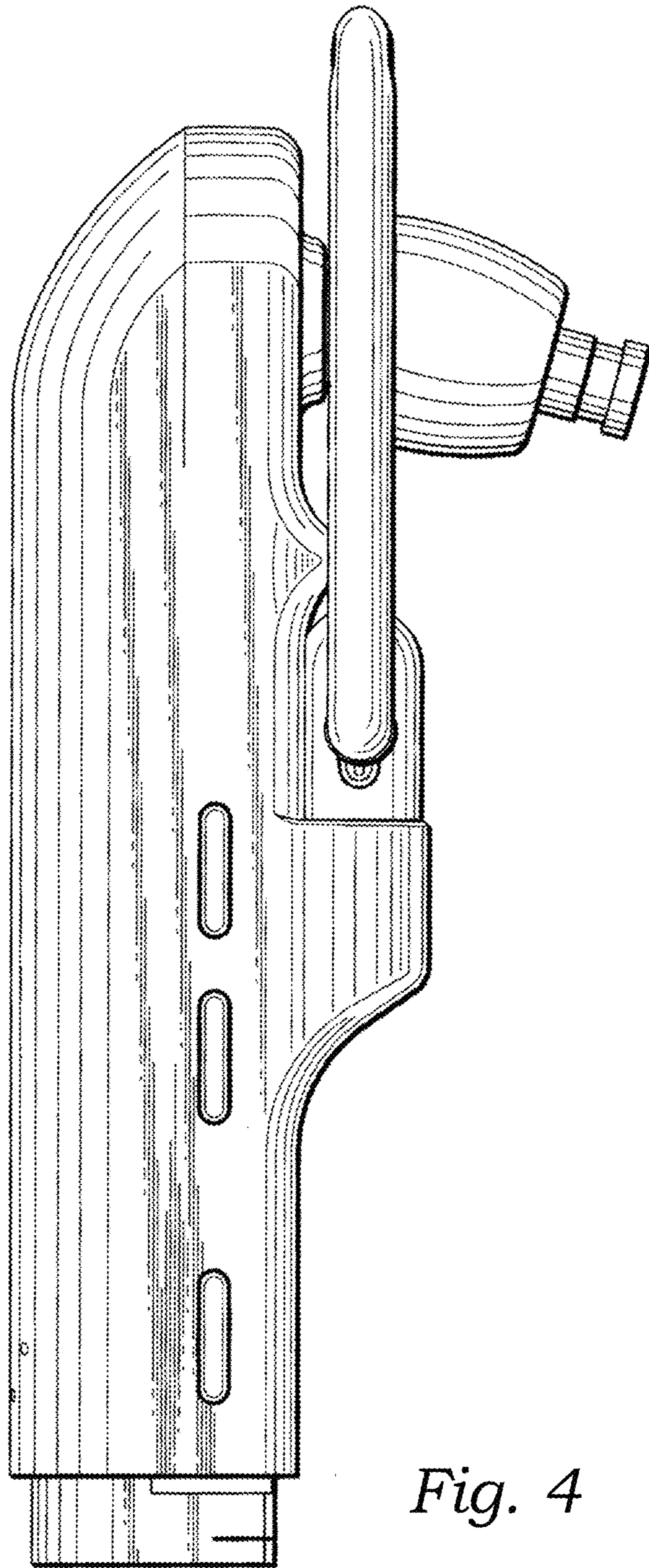


Fig. 4

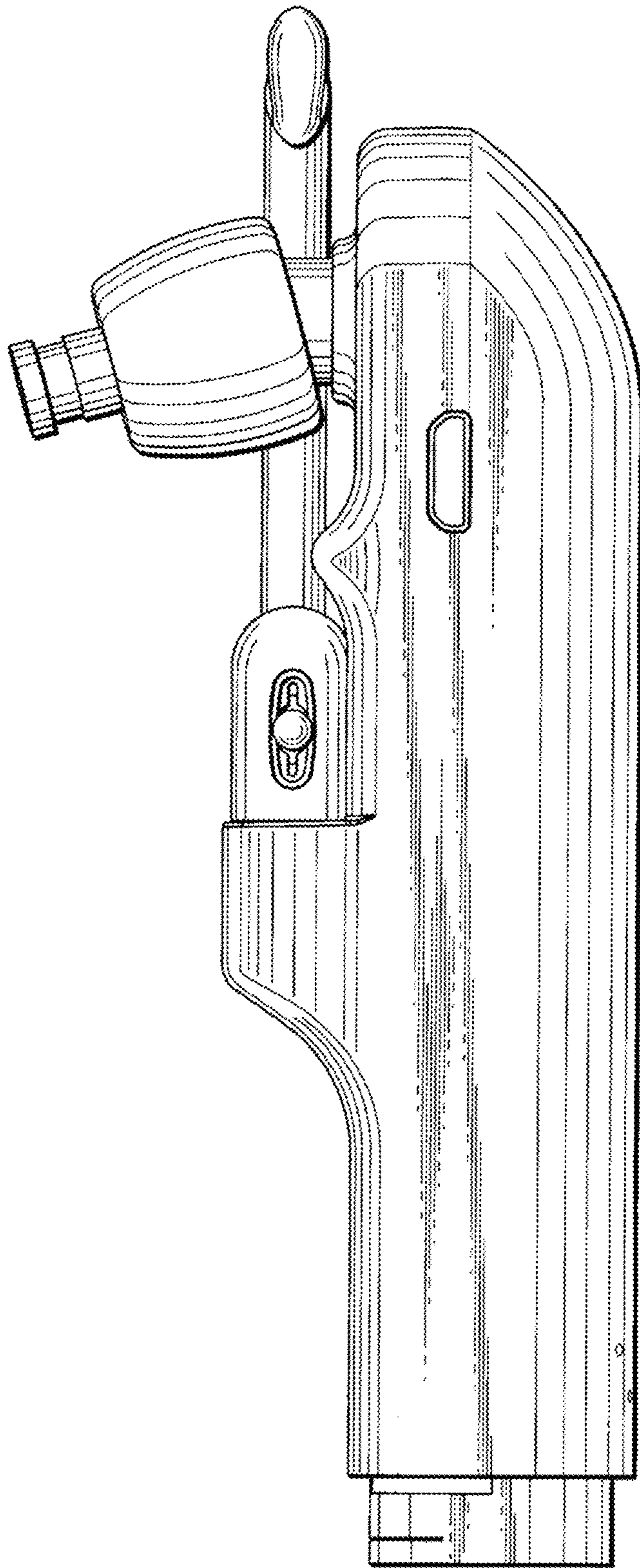


Fig. 5

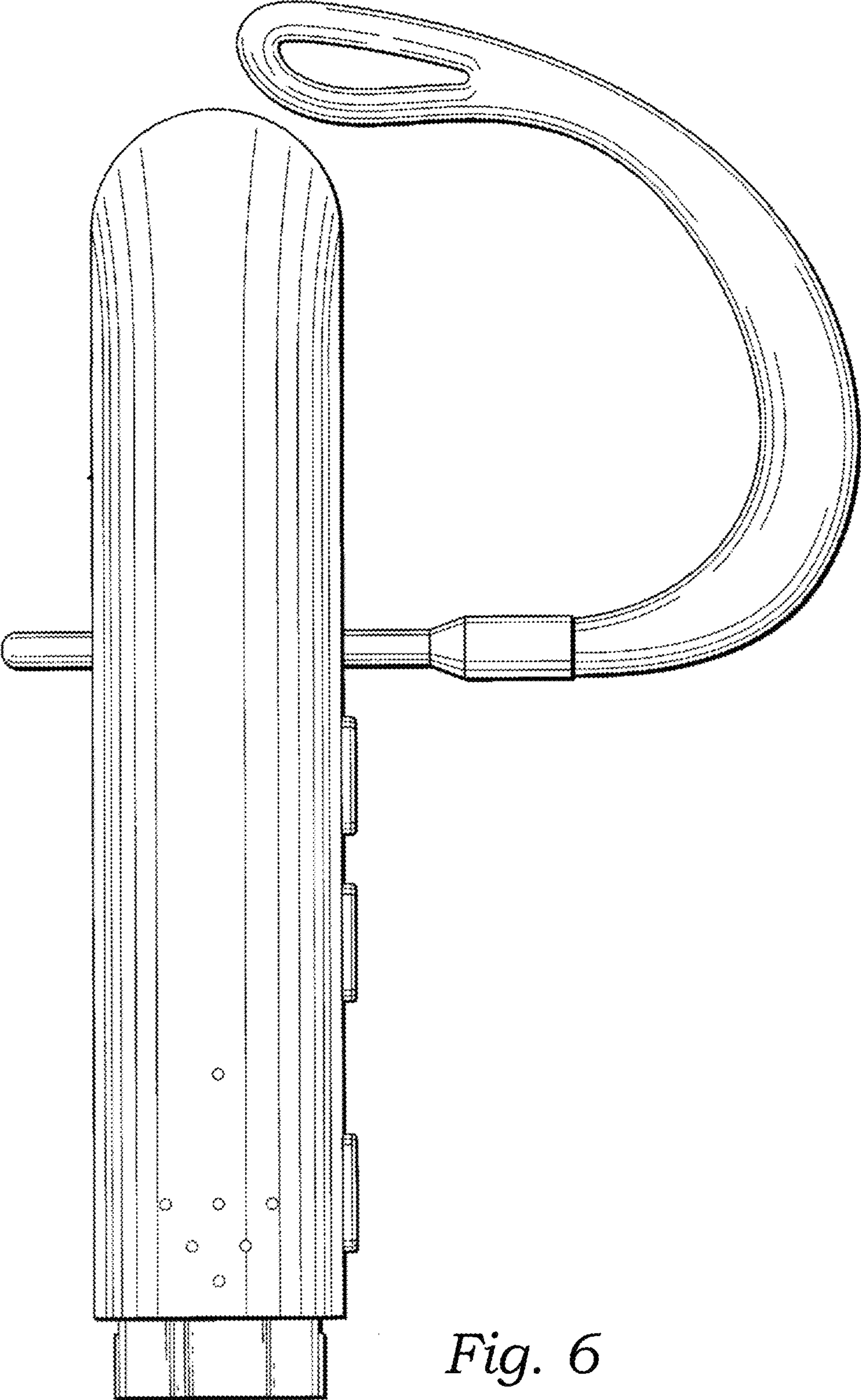


Fig. 6

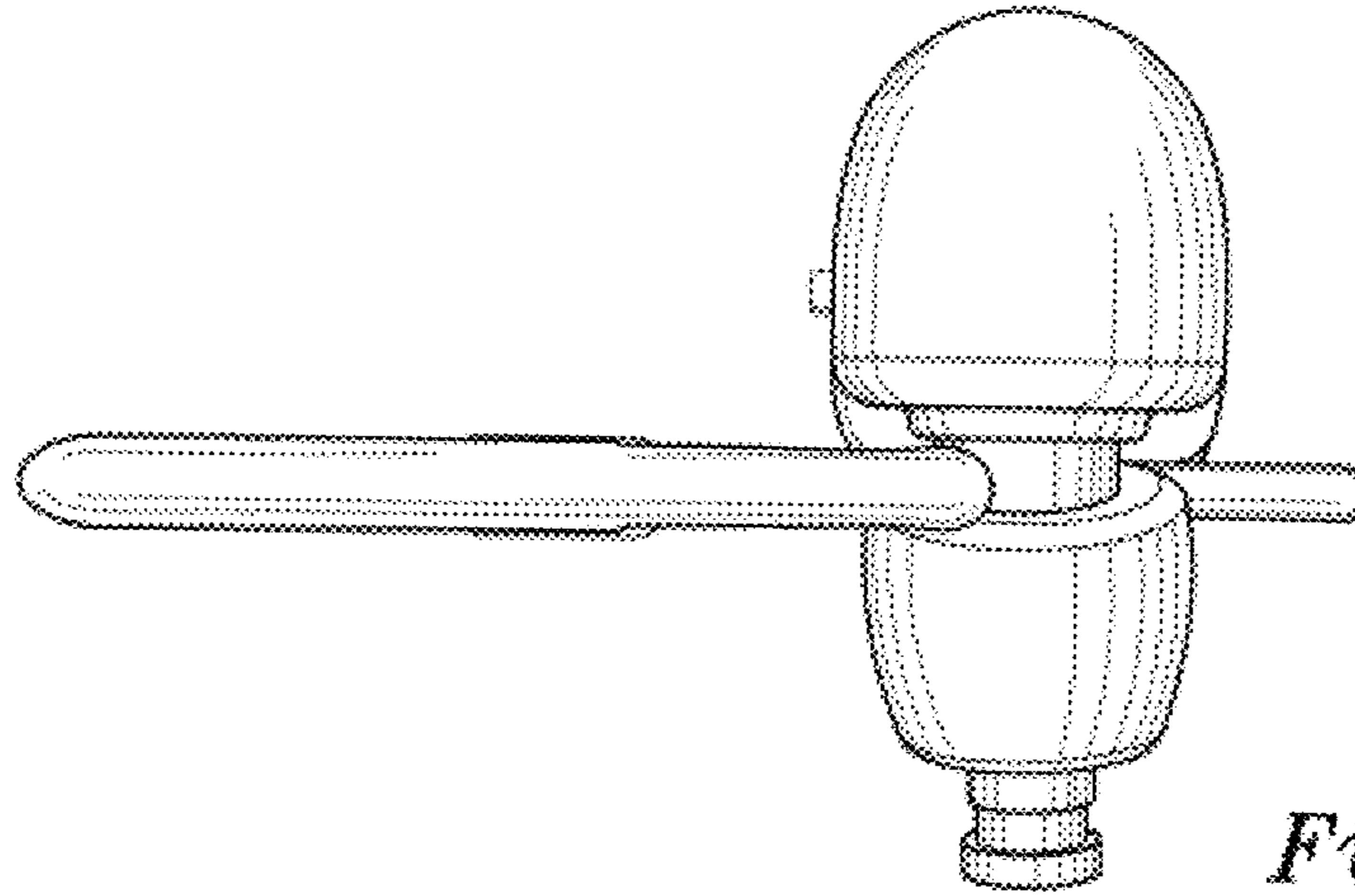


Fig. 7

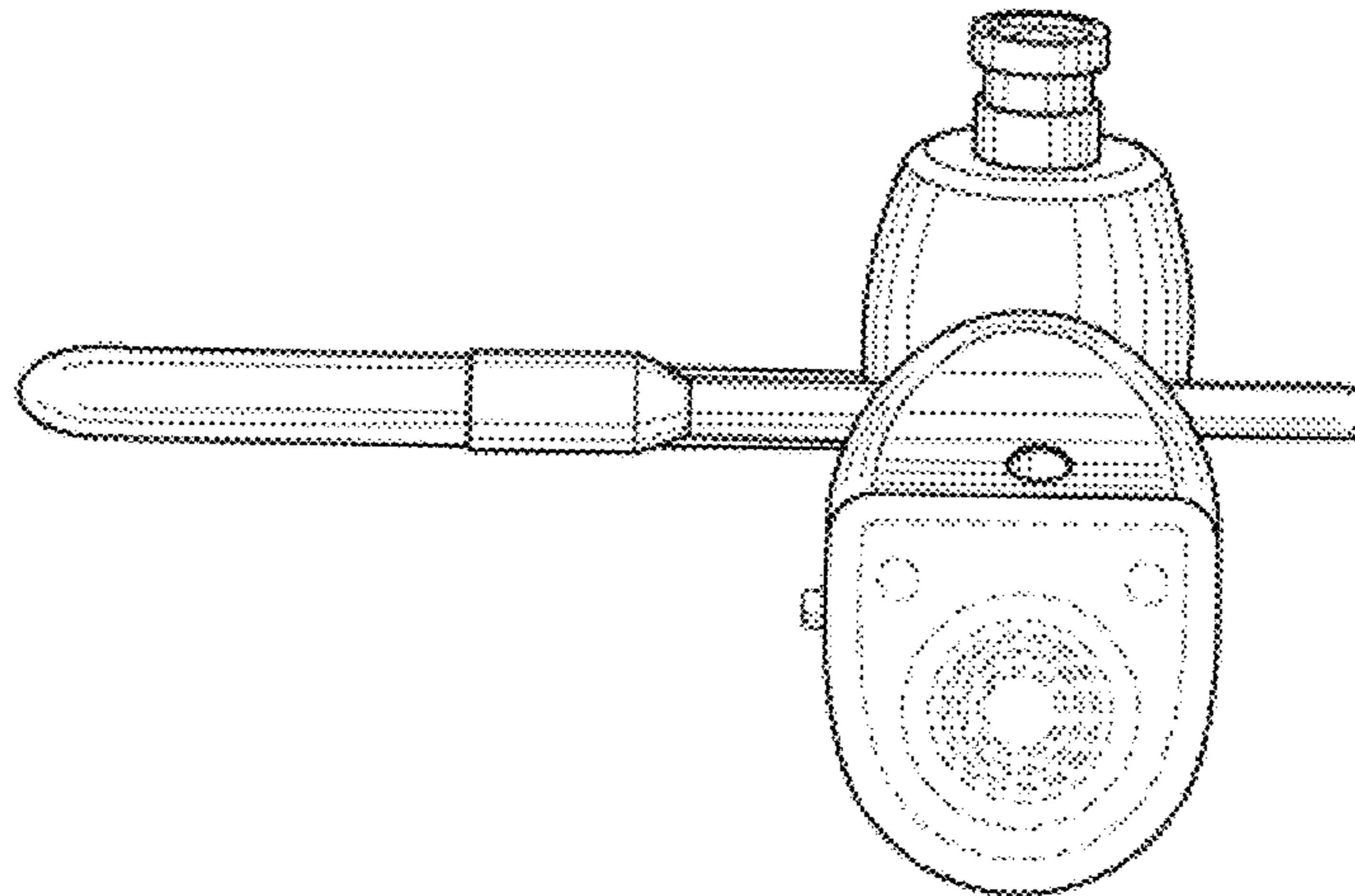


Fig. 8