



US00D807936S

(12) **United States Design Patent** (10) **Patent No.:** **US D807,936 S**
He et al. (45) **Date of Patent:** **** Jan. 16, 2018**

(54) **ROBOTIC JOINT**
(71) Applicant: **ENGINEERING SERVICES INC.,**
Markham, ON (CA)
(72) Inventors: **Xiaojia He,** Toronto (CA); **Ziren Lu,**
Thornhill (CA); **Andrew A.**
Goldenberg, Toronto (CA)
(73) Assignee: **ENGINEERING SERVICES INC.,**
Toronto, ON (CA)
(**) Term: **15 Years**
(21) Appl. No.: **29/602,024**
(22) Filed: **Apr. 27, 2017**
(51) **LOC (11) Cl.** **15-99**
(52) **U.S. Cl.**
USPC **D15/199; D15/138**
(58) **Field of Classification Search**
USPC **D15/199; D21/578-583, 621, 622;**
D23/259, 262, 263
CPC **B25J 9/104; B25J 17/0275; B25J 17/0283;**
Y10T 74/19; Y10T 74/20305; Y10T
74/20311; Y10T 74/20317; Y10T
74/20323; Y10T 74/20329; Y10T
403/32041
See application file for complete search history.

(56) **References Cited**
U.S. PATENT DOCUMENTS
D56,926 S * 1/1921 Reiland et al. D23/263
D370,964 S * 6/1996 Horvath D23/262
6,084,373 A * 7/2000 Goldenberg B25J 9/08
318/568.11
D634,818 S * 3/2011 Leroyer D23/263
D676,941 S * 2/2013 Kluss D23/262
8,525,460 B2 * 9/2013 Reiland B25J 9/1641
267/277

D709,933 S * 7/2014 Wu D15/143
D740,371 S * 10/2015 Ries D21/333
D776,178 S * 1/2017 Ries D15/199
D781,943 S * 3/2017 Ries D15/148
2002/0056326 A1 * 5/2002 Gombert G01L 5/166
73/862.046
2011/0232411 A1 * 9/2011 Long B25J 17/0258
74/490.05
2011/0265597 A1 * 11/2011 Long B25J 9/102
74/490.05
2012/0048051 A1 * 3/2012 Long B25J 19/0054
74/490.03
2012/0067148 A1 * 3/2012 Long F16H 1/22
74/412 R
2012/0085191 A1 * 4/2012 Long B25J 17/02
74/423
2013/0118286 A1 * 5/2013 Long B25J 17/0283
74/490.01
2013/0125694 A1 * 5/2013 Long B25J 11/0075
74/490.01
2013/0125696 A1 * 5/2013 Long B25J 18/04
74/490.05

(Continued)

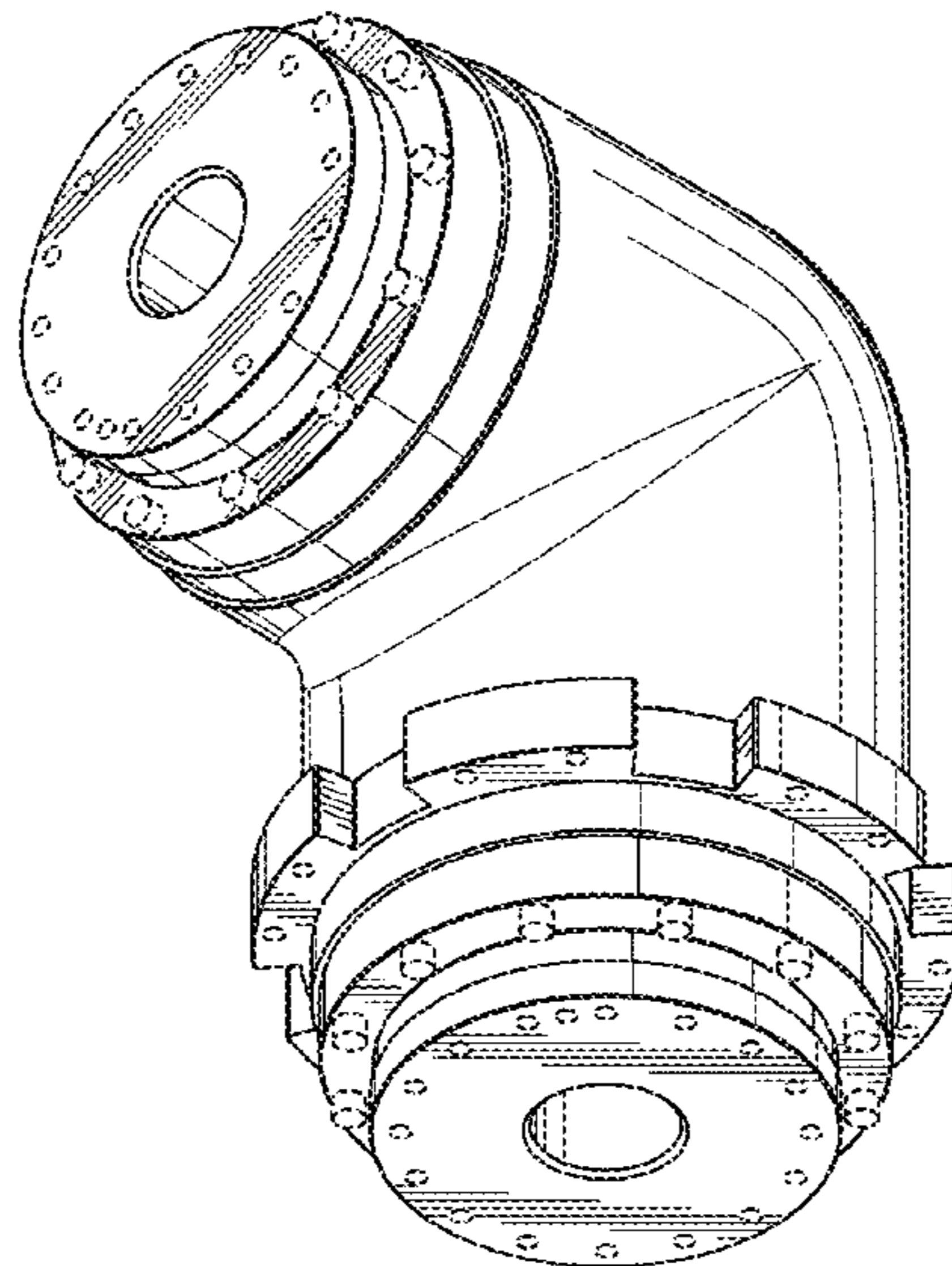
Primary Examiner — Patricia A Palasik
(74) *Attorney, Agent, or Firm* — Hill & Schumacher

(57) **CLAIM**
The ornamental design for a robotic joint, as shown and described.

DESCRIPTION

FIG. 1 is perspective view of the robotic joint showing our new design;
FIG. 2 is a front view thereof;
FIG. 3 is a right side view thereof;
FIG. 4 is a top view thereof;
FIG. 5 is a rear view thereof; and,
FIG. 6 is bottom view thereof.
The broken lines in the drawings depict unclaimed environmental subject matter.

1 Claim, 3 Drawing Sheets



(56)

References Cited

U.S. PATENT DOCUMENTS

2013/0145891	A1*	6/2013	Long	B25J 18/00 74/490.02
2014/0116182	A1*	5/2014	Long	B25J 9/102 74/490.04
2014/0338490	A1*	11/2014	Shinabe	B23P 15/00 74/490.03
2015/0251322	A1*	9/2015	Goodwin	B25J 11/008 74/490.03
2016/0061367	A1*	3/2016	Smith	F16L 25/00 285/179.1

* cited by examiner

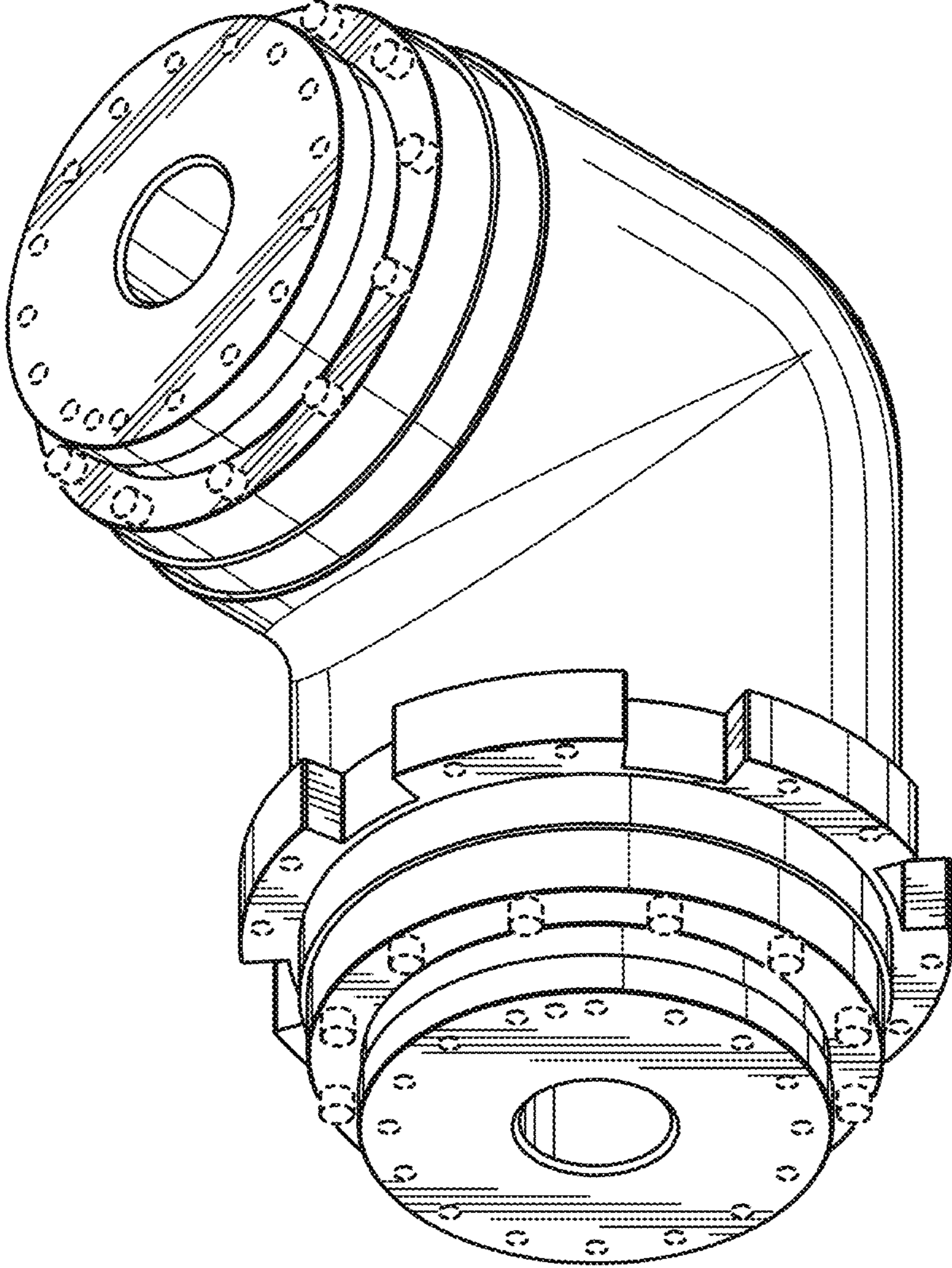


FIG. 1

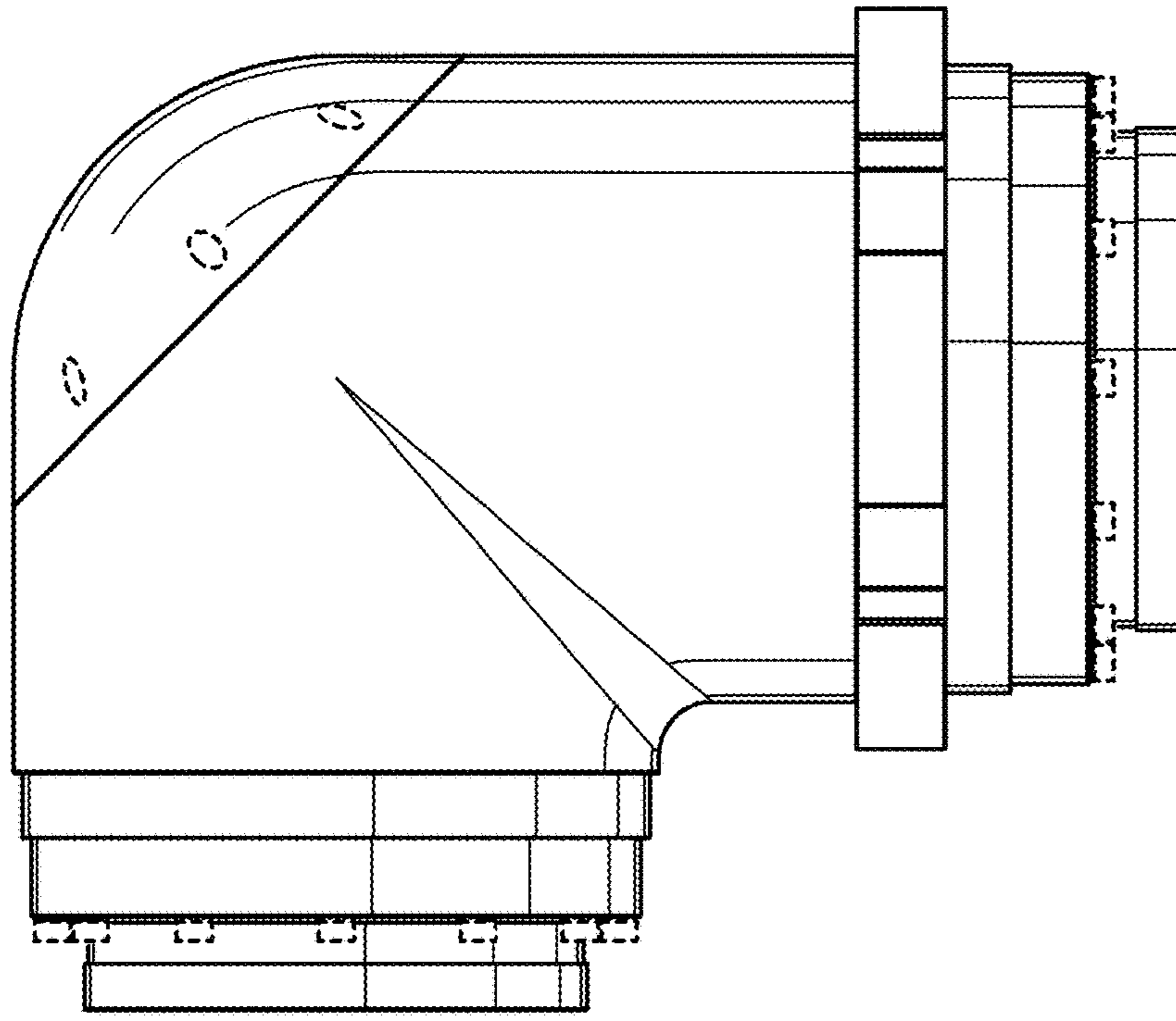


FIG. 2

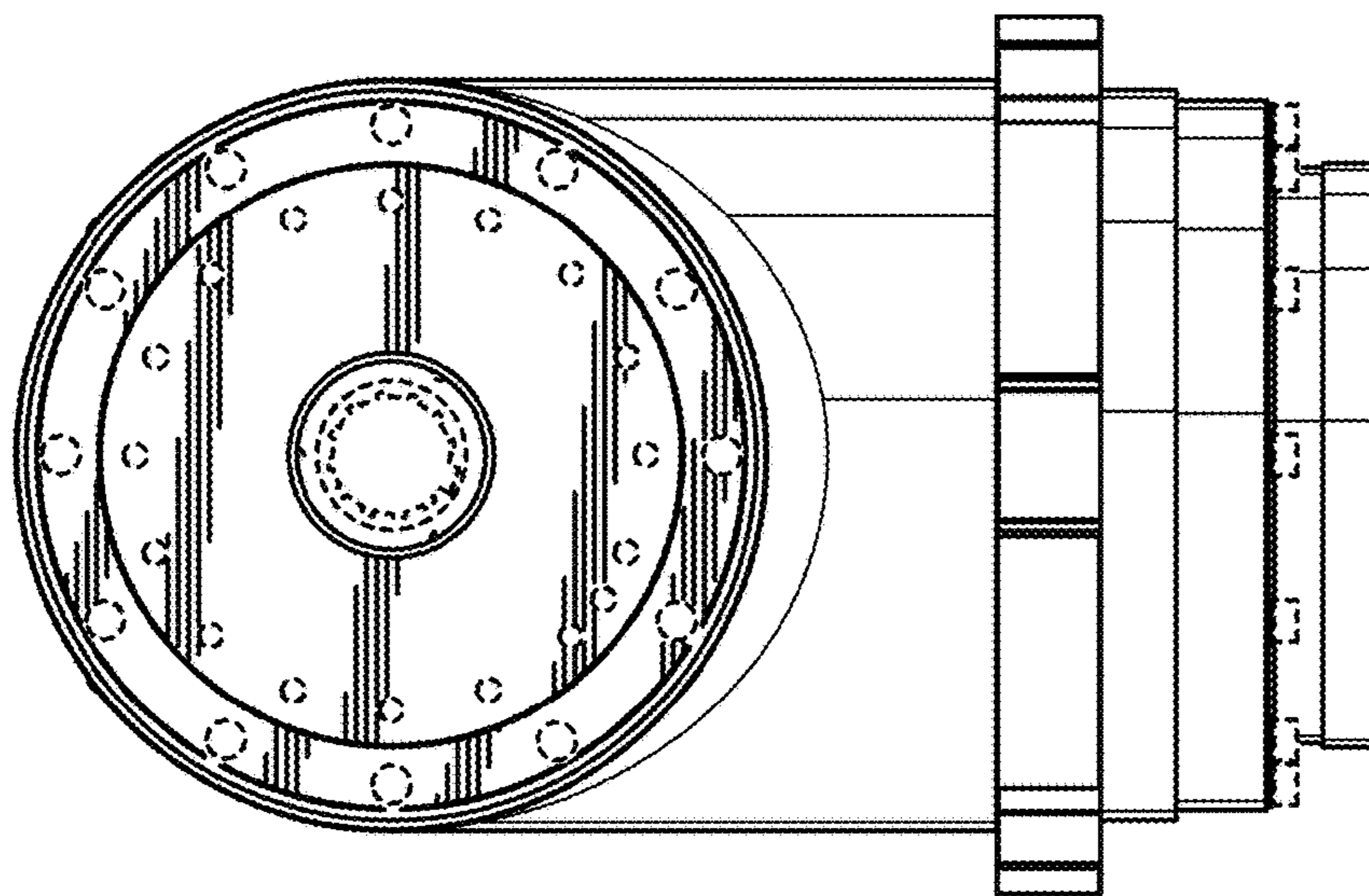


FIG. 3

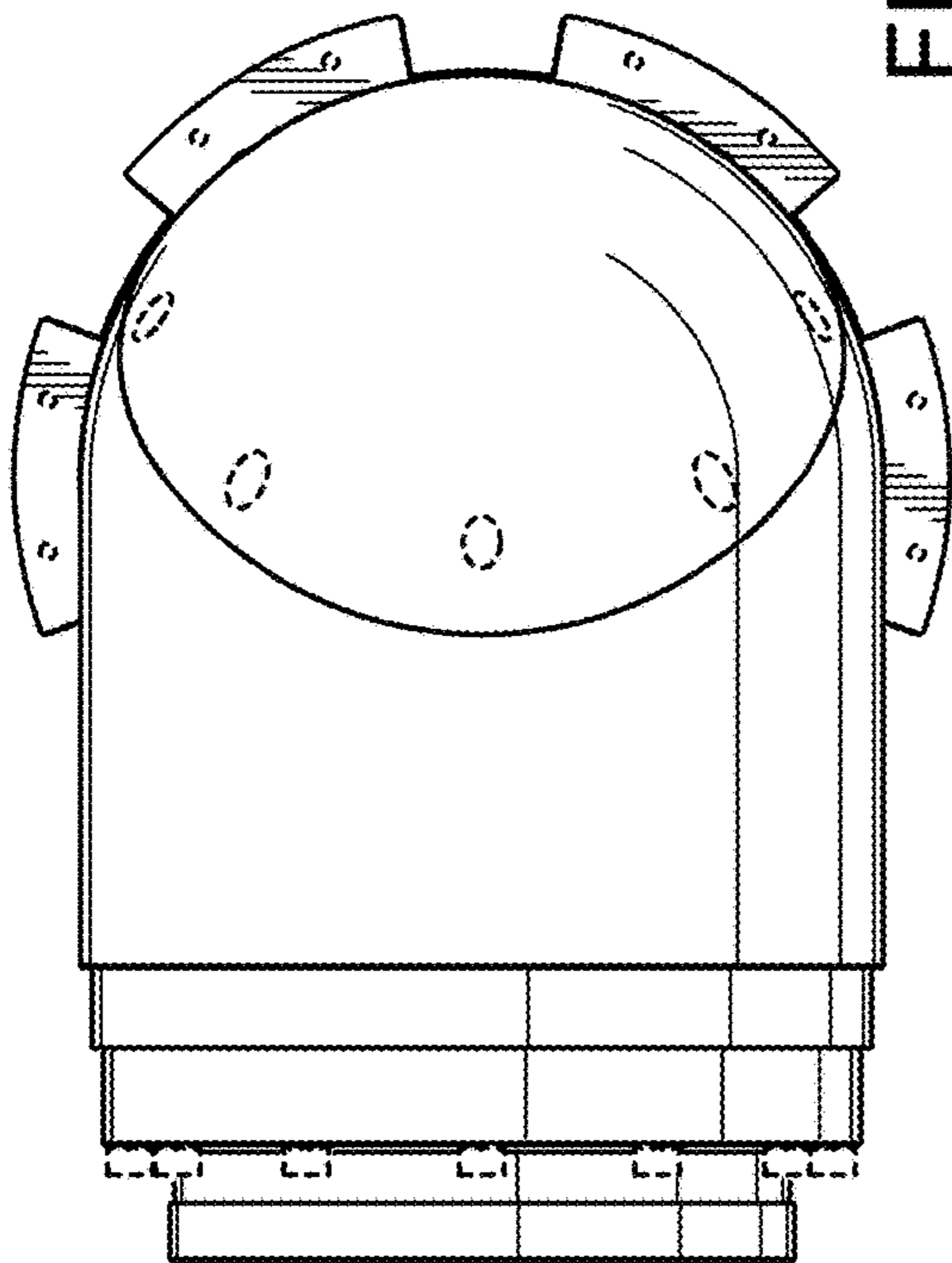


FIG. 4

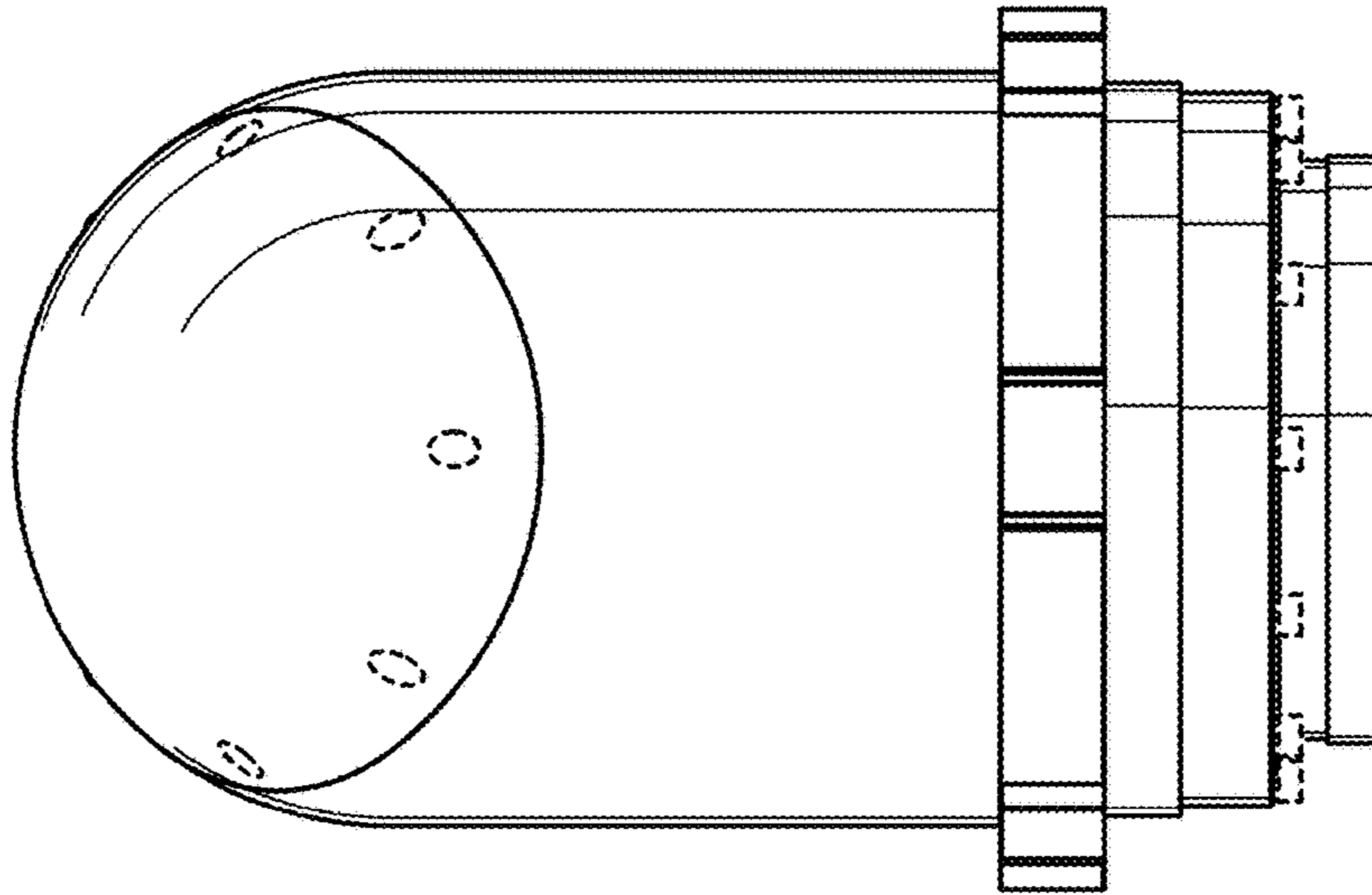


FIG. 5

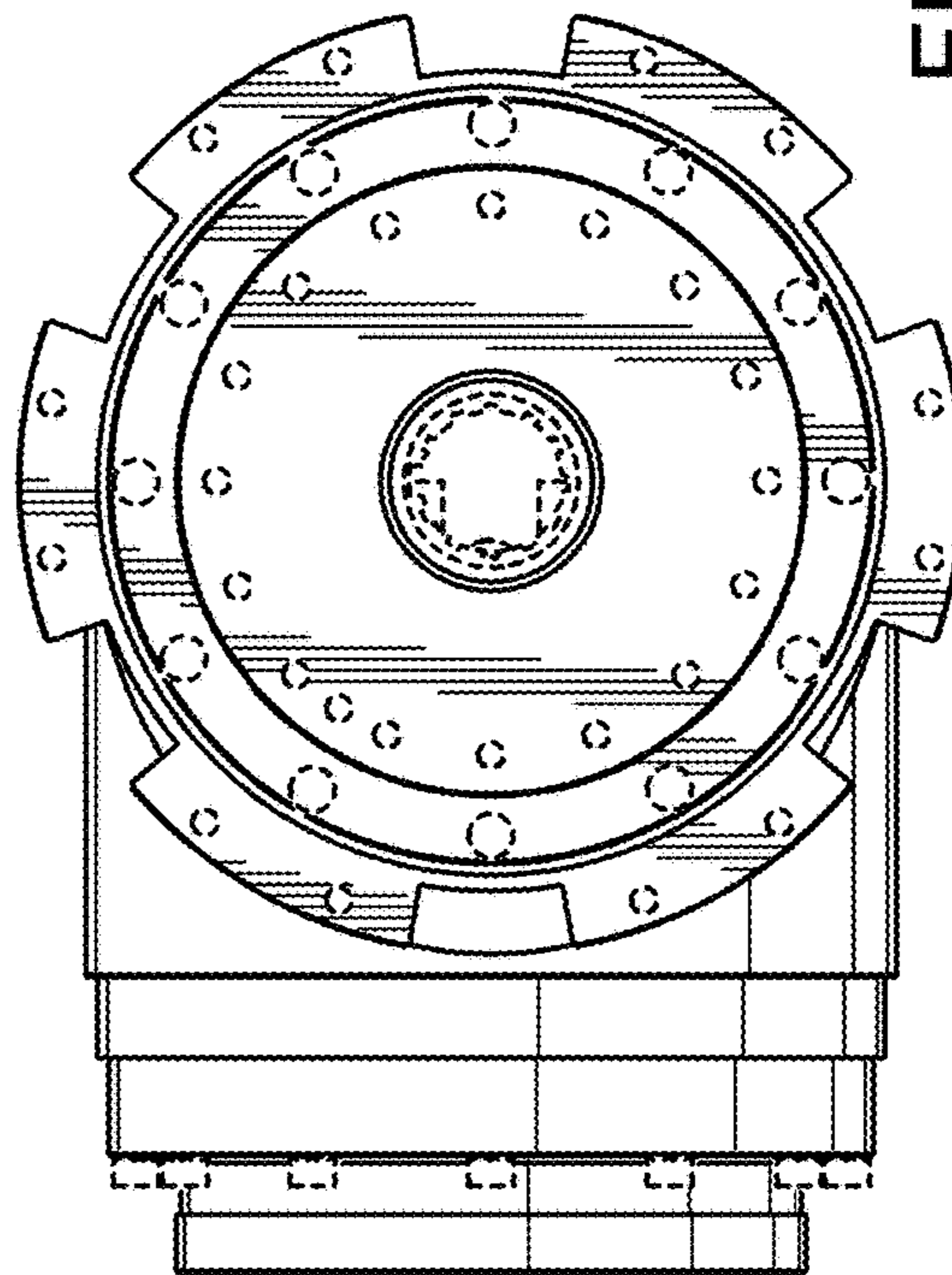


FIG. 6