



US00D807935S

(12) **United States Design Patent** (10) **Patent No.:** **US D807,935 S**
Dudzinsky et al. (45) **Date of Patent:** **** Jan. 16, 2018**

- (54) **DOUBLE-SIDED, INDEXABLE CUTTING INSERT** 6,725,758 B2 * 4/2004 MacLennan B23D 61/04 83/839
- (71) Applicants: **Ronald Louis Dudzinsky**, Derry, PA (US); **Konrad Spitzenberger**, Fürth (DE) 6,872,034 B2 3/2005 Satran et al.
7,014,396 B2 3/2006 Satran et al.
7,104,736 B2 9/2006 Satran et al.
7,241,082 B2 7/2007 Smilovici et al.
7,246,973 B2 7/2007 Johnson et al.
D588,616 S * 3/2009 Tanaka D15/139
- (72) Inventors: **Ronald Louis Dudzinsky**, Derry, PA (US); **Konrad Spitzenberger**, Fürth (DE) (Continued)

FOREIGN PATENT DOCUMENTS

- (73) Assignee: **KENNAMETAL INC.**, Latrobe, PA (US) CN 1116835 A 2/1996
CN 1059488 C 12/2000

(Continued)

(**) Term: **15 Years**

(21) Appl. No.: **29/547,214**

(22) Filed: **Dec. 2, 2015**

OTHER PUBLICATIONS

Mar. 21, 2017 Third Office Action K-04053-CN-NP.
CN 103100747A, Dec. 29, 2015 First office action CN 103100747A.

Related U.S. Application Data

- (62) Division of application No. 13/296,302, filed on Nov. 15, 2011.
- (51) **LOC (11) Cl.** **15-09**
- (52) **U.S. Cl.**
USPC **D15/139**
- (58) **Field of Classification Search**
USPC D8/20, 70; D15/133, 139
CPC B23C 5/2221; B23C 2200/085; B23C 2200/125; B23C 2200/286; B23C 2200/0494; B23C 2210/168; Y10T 407/23; Y10T 407/235; Y10T 407/1924
See application file for complete search history.

Primary Examiner — Patricia Palasik

(74) *Attorney, Agent, or Firm* — Larry R. Meenan

(57) **CLAIM**

The ornamental design for a double-sided, indexable cutting insert, as shown and described.

DESCRIPTION

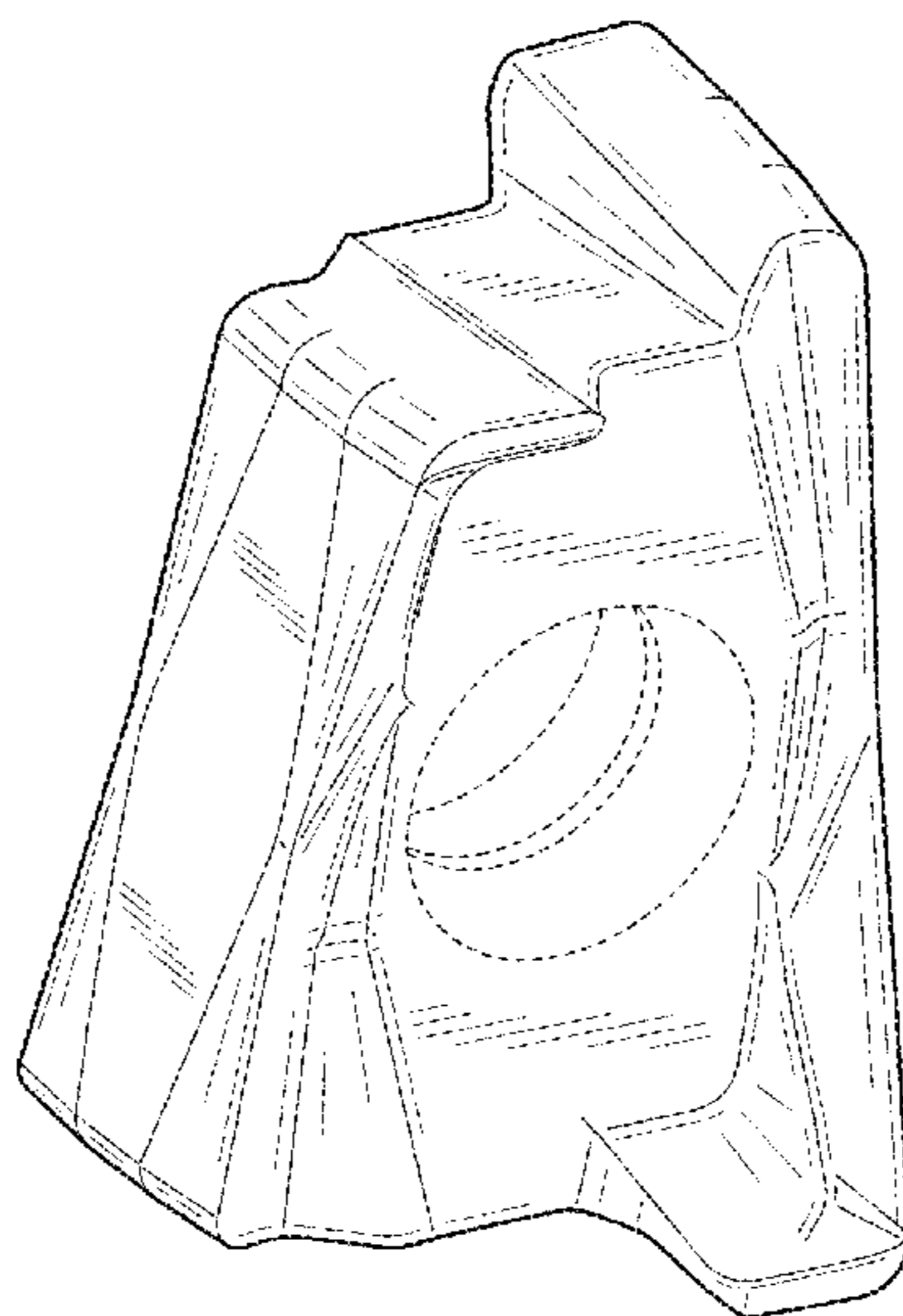
FIG. 1 is an isometric front view from above of a double-sided, indexable cutting insert showing our new design; FIG. 2 is another isometric front view of the cutting insert; FIG. 3 is a right side view of the cutting insert, the left side view being identical to the right side view; FIG. 4 is a front view of the cutting insert, the rear view being identical to the front view; and, FIG. 5 is a top view of the cutting insert, the bottom view being identical to the top view.
The broken lines in the drawings depict unclaimed environmental subject matter.

(56) **References Cited**

U.S. PATENT DOCUMENTS

- 5,078,550 A 1/1992 Satran et al.
- 5,207,538 A * 5/1993 Satran B23C 5/2213 407/113
- 6,196,770 B1 3/2001 Astrom et al.

1 Claim, 3 Drawing Sheets



(56)

References Cited

U.S. PATENT DOCUMENTS

7,713,006 B2 * 5/2010 MacLennan B23C 5/207
407/113
D637,214 S * 5/2011 Saito D15/139
D638,041 S * 5/2011 Saito D15/139
8,043,031 B2 10/2011 Sung et al.
D748,703 S * 2/2016 Nam D15/139
D755,267 S * 5/2016 Lee D15/139
D772,318 S * 11/2016 Nam D15/139
D772,319 S * 11/2016 Nam D15/139
D772,963 S * 11/2016 Nam D15/139
D777,230 S * 1/2017 Fang D15/139
D778,330 S * 2/2017 Fang D15/139
2005/0169716 A1 8/2005 Smilovici et al.
2005/0214081 A1 * 9/2005 Satran B23C 5/06
407/113
2007/0031201 A1 2/2007 Maeda
2008/0232912 A1 9/2008 Bhagath
2010/0054872 A1 3/2010 Sung et al.
2010/0303563 A1 12/2010 Fang et al.
2011/0129309 A1 * 6/2011 Kovac B23C 5/06
407/42
2011/0170963 A1 * 7/2011 Smilovici B23C 5/06
407/42
2012/0009029 A1 * 1/2012 Saji B23C 5/109
407/67
2012/0170986 A1 * 7/2012 Nam B23C 5/06
407/114
2013/0115022 A1 * 5/2013 Ishi B23C 5/109
409/132

2013/0121775 A1 * 5/2013 Dudzinsky B23C 5/2221
407/42
2013/0336735 A1 * 12/2013 Nam B23C 5/06
407/113
2014/0298967 A1 * 10/2014 Ishi B23C 5/109
83/13
2015/0117969 A1 * 4/2015 Brunetto B23C 5/207
407/42
2015/0139745 A1 * 5/2015 Lee B23C 5/06
407/113
2015/0336187 A1 * 11/2015 Choi B23C 5/06
407/48
2016/0023285 A1 * 1/2016 Saji B23C 5/207
407/33
2017/0014919 A1 * 1/2017 Kister B23C 5/06
2017/0157685 A1 * 6/2017 Mao B23C 5/2213
2017/0197259 A1 * 7/2017 Kumoi B23C 5/207

FOREIGN PATENT DOCUMENTS

CN 1087566 C 7/2002
CN 1913998 A 2/2007
CN 101594960 A 12/2009
CN 101678478 A 3/2010
CN 101594960 B 5/2011
CN 101090792 B 3/2012
CN 101745675 B 11/2014
EP 0699495 B1 7/2001
WO 2011/086544 A1 7/2011

* cited by examiner

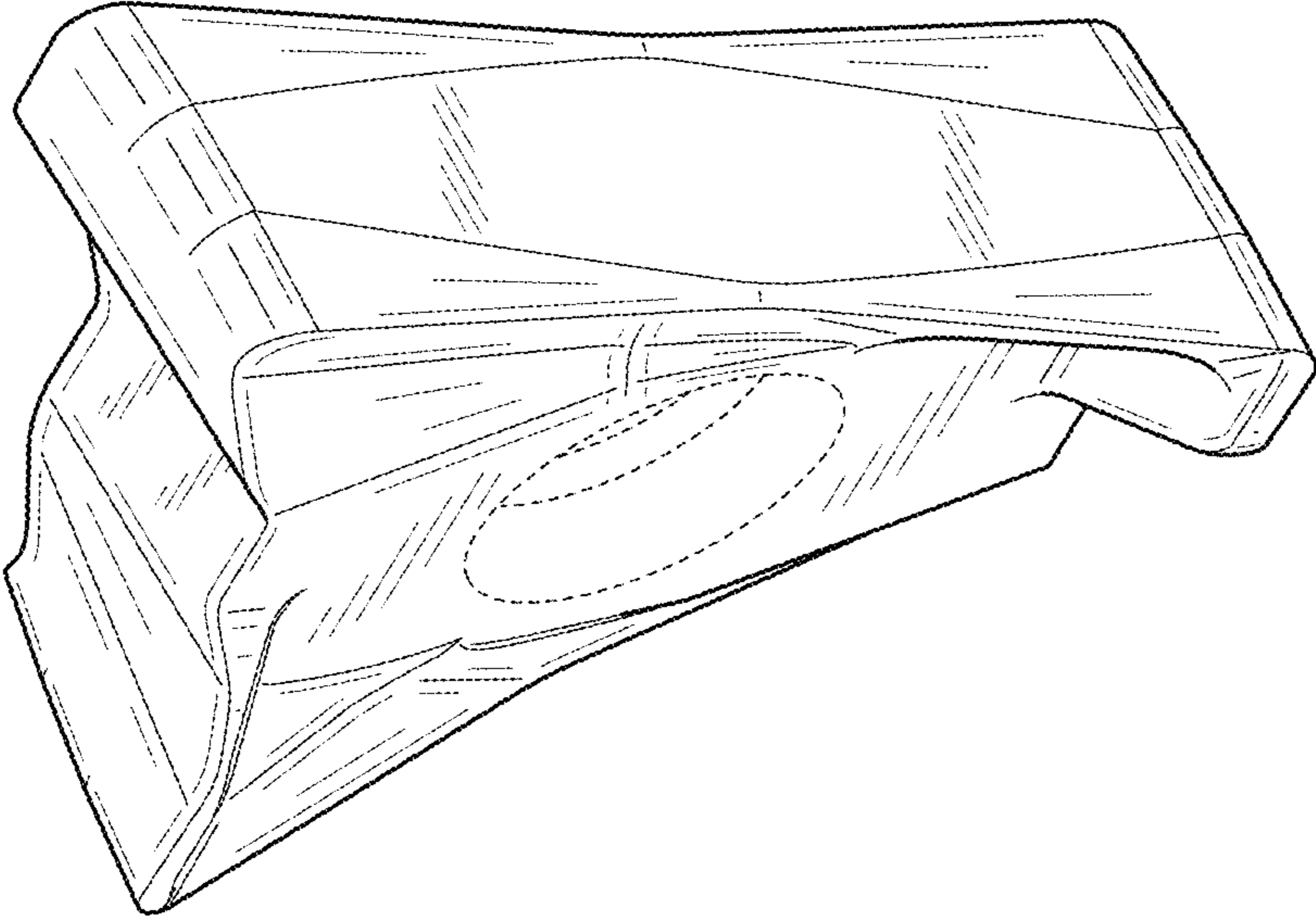


FIG. 2

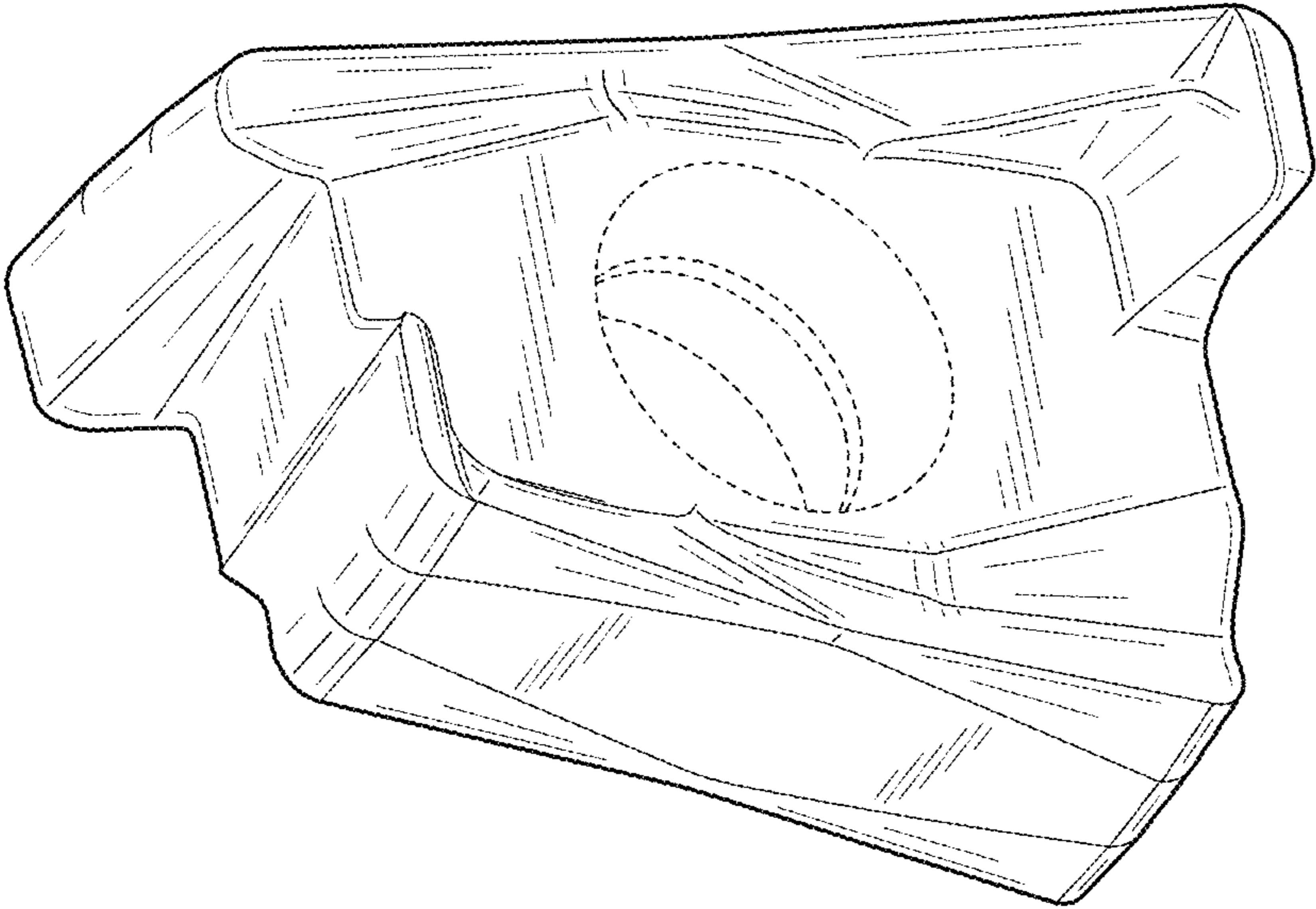


FIG. 1

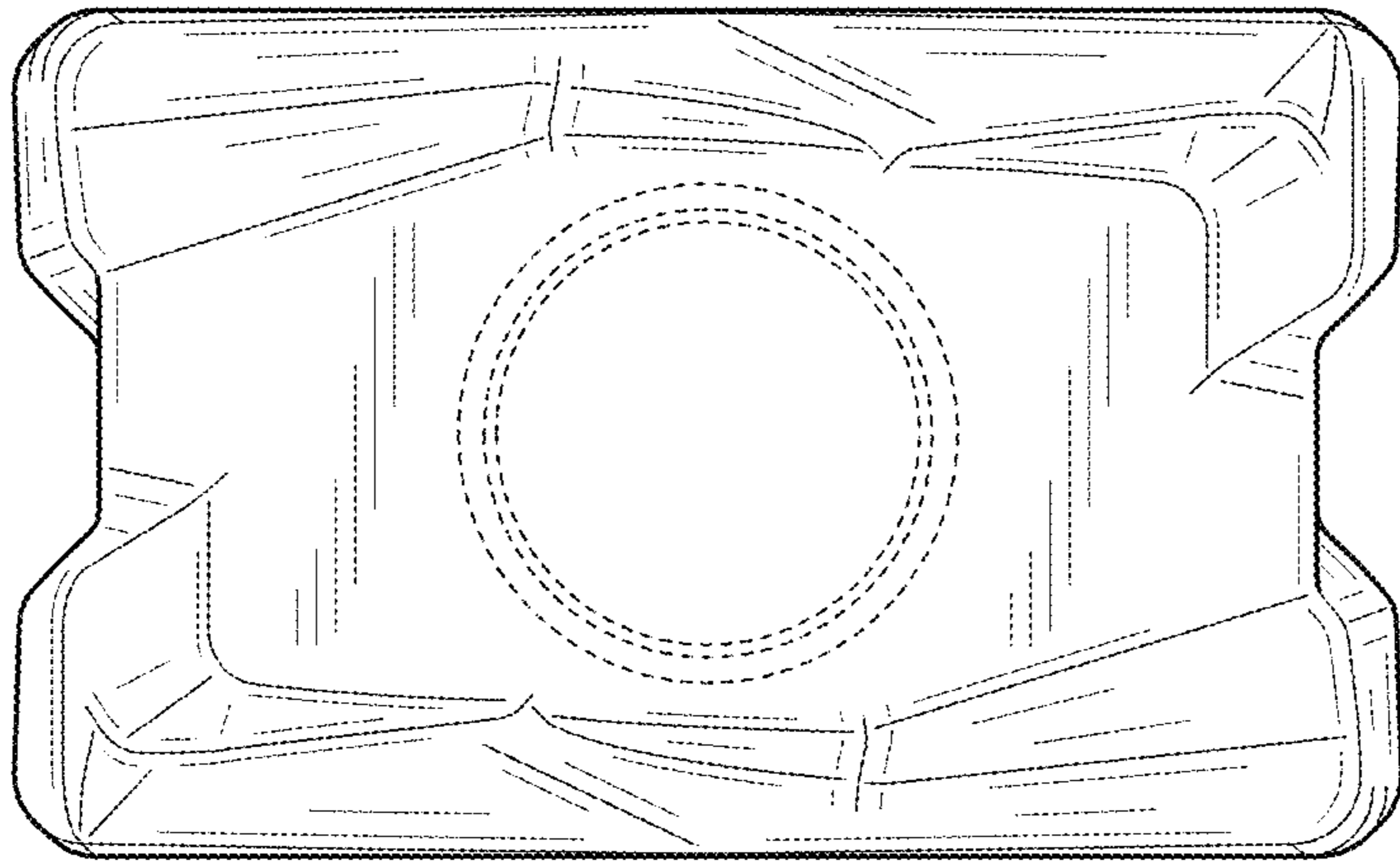


FIG. 4

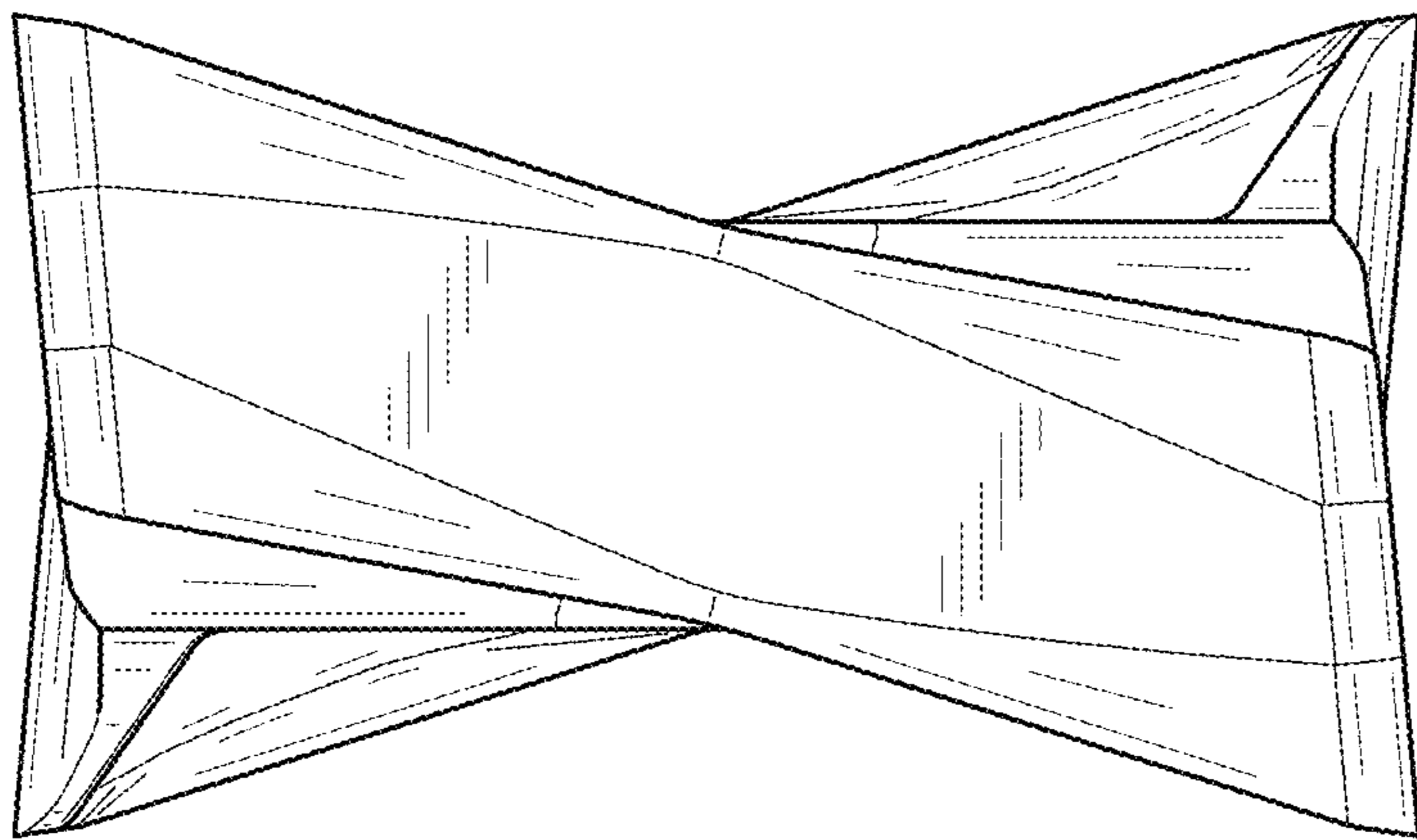


FIG. 3

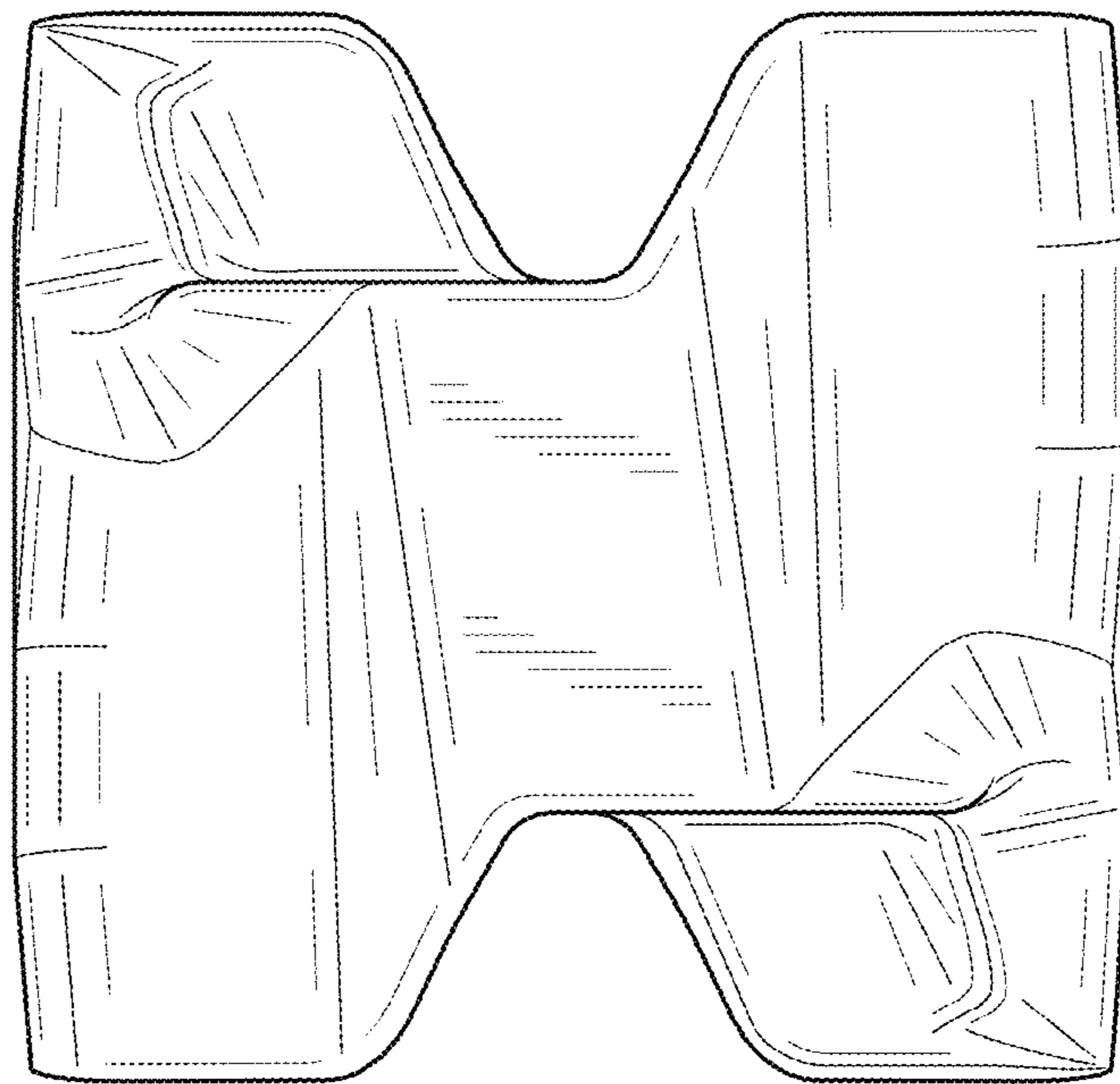


FIG. 5