



US00D807932S

(12) **United States Design Patent**
Frank et al.

(10) **Patent No.:** **US D807,932 S**
(45) **Date of Patent:** **** Jan. 16, 2018**

(54) **MOLD**

(71) Applicant: **ICI USA, LLC**, Seattle, WA (US)

(72) Inventors: **Matthew Frank**, Seattle, WA (US); **Jan Pawluskiewicz**, Seattle, WA (US)

(73) Assignee: **ICI USA, LLC**, Seattle, WA (US)

(**) Term: **15 Years**

(21) Appl. No.: **29/575,264**

(22) Filed: **Aug. 23, 2016**

Related U.S. Application Data

(63) Continuation of application No. 29/566,593, filed on Jun. 1, 2016, now abandoned, and a continuation of application No. 29/566,594, filed on Jun. 1, 2016, now abandoned.

(51) **LOC (11) Cl.** **15-07**

(52) **U.S. Cl.**
USPC **D15/90; D7/672**

(58) **Field of Classification Search**
USPC D7/672-677, 354, 357, 414; D15/90, 80; 30/316
CPC F25C 1/04; F25C 1/22; F25C 1/24; F25C 5/005; A21B 3/13; B23G 9/26; B23G 9/503; B23G 9/221; B23G 9/083; A23P 30/20; A23P 30/10; A22C 7/003; A47J 43/20

See application file for complete search history.

(56) **References Cited**

U.S. PATENT DOCUMENTS

D292,802 S * 11/1987 Fails D15/90
D321,940 S * 11/1991 D'Aquino D15/90
D517,103 S * 3/2006 Ribeiro D15/90
D626,384 S * 11/2010 Zorovich D7/672
7,905,466 B2 * 3/2011 Lee F25C 1/22
220/23.87

D684,019 S * 6/2013 Facey D7/354
D689,746 S * 9/2013 Zorovich D7/672
D689,747 S * 9/2013 Zorovich D7/672
D690,169 S * 9/2013 Zorovich D7/672
D734,106 S * 7/2015 Frank D7/672

(Continued)

Primary Examiner — Susan Bennett Hattan

Assistant Examiner — Brett Miller

(74) *Attorney, Agent, or Firm* — Cloutier Ortega

(57) **CLAIM**

We claim as our invention the ornamental design for a mold, as shown and described herein.

DESCRIPTION

FIG. 1 is a side perspective view of a mold of a first embodiment in a closed view;

FIG. 2 is a side view of the mold of a first embodiment in a closed position;

FIG. 3 is an end view of the mold of a first embodiment in a closed position;

FIG. 4 is a top view of the mold of a first embodiment in a closed position;

FIG. 5 is a bottom view of the mold of a first embodiment in a closed position;

FIG. 6 is an exploded, perspective view of the mold of a first embodiment.

FIG. 7 is a side perspective view of a mold of a second embodiment in a closed view;

FIG. 8 is a side view of the mold of a second embodiment in a closed position;

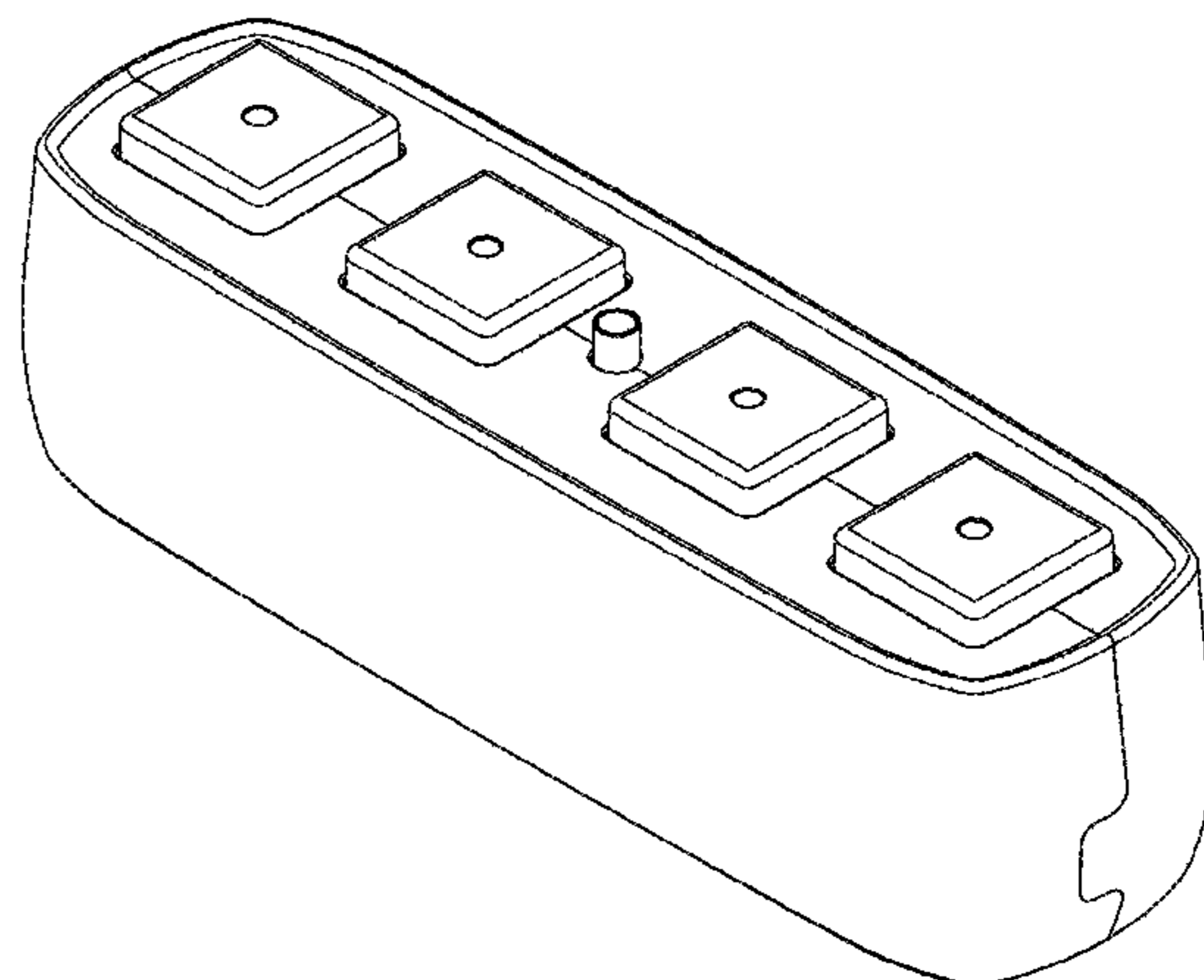
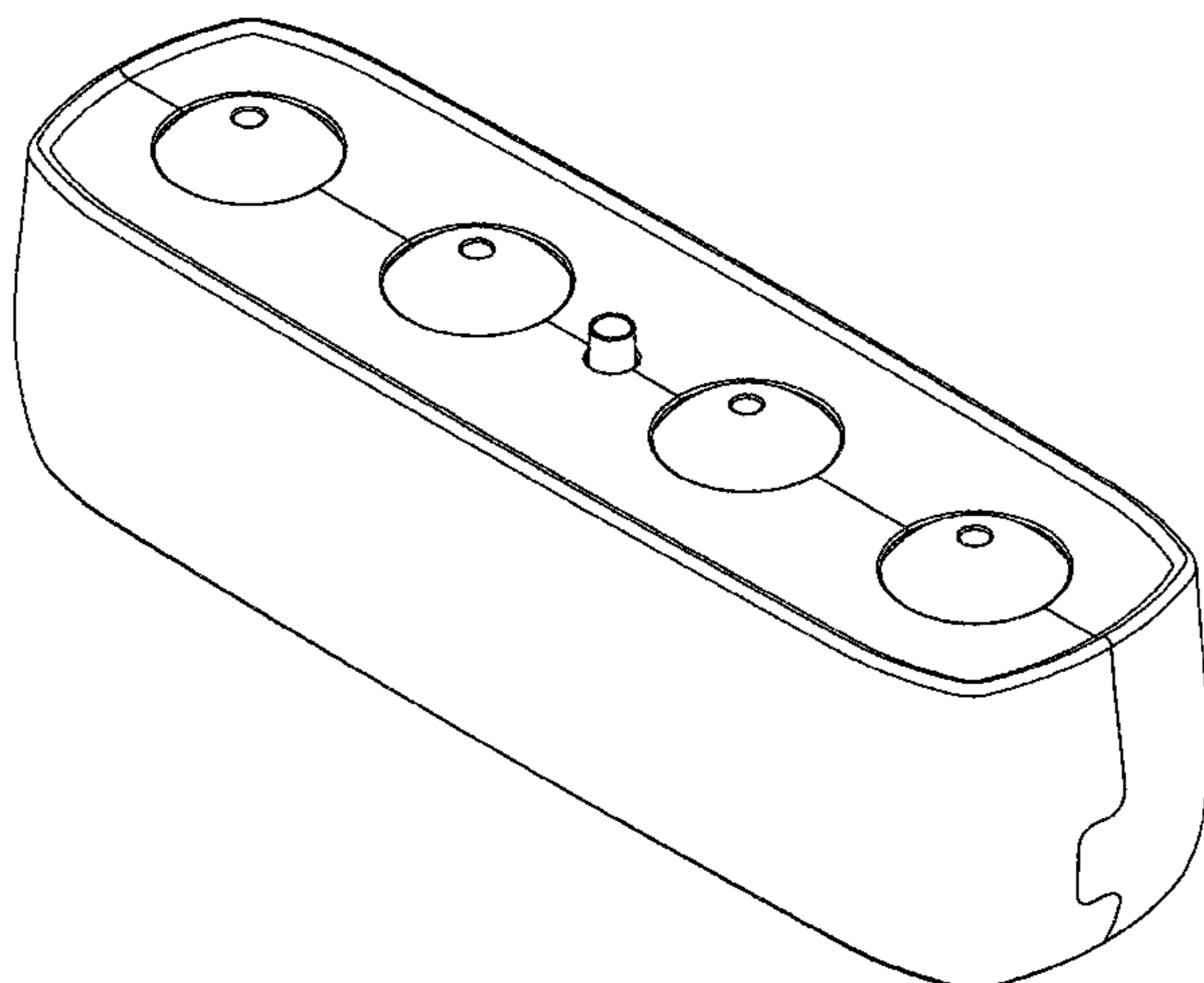
FIG. 9 is an end view of the mold of a second embodiment in a closed position;

FIG. 10 is a top view of the mold of a second embodiment in a closed position;

FIG. 11 is a bottom view of the mold of a second embodiment in a closed position; and,

FIG. 12 is an exploded, perspective view of the mold of a second embodiment.

1 Claim, 12 Drawing Sheets



(56)

References Cited

U.S. PATENT DOCUMENTS

D757,130 S * 5/2016 Frank D15/90
D770,247 S * 11/2016 Repac D7/672
D781,932 S * 3/2017 Yoshikawa D15/80
9,642,393 B2 * 5/2017 Mele A23P 30/10
2007/0164192 A1 * 7/2007 Holden F25C 1/243
249/98
2010/0183789 A1 * 7/2010 Zorovich A23G 9/221
426/421
2015/0021458 A1 * 1/2015 Zorovich B29C 33/0038
249/134

* cited by examiner

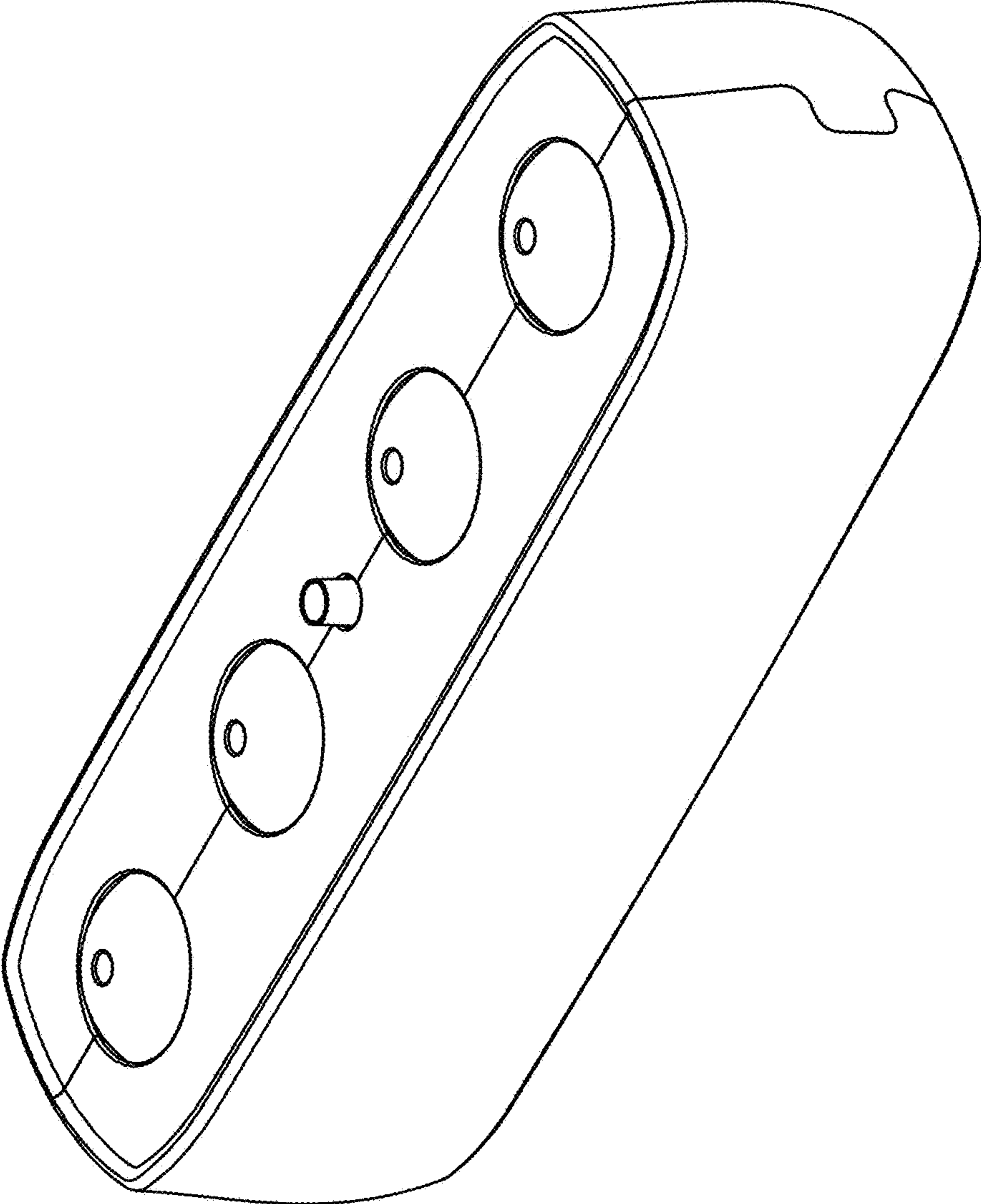


Fig. 1

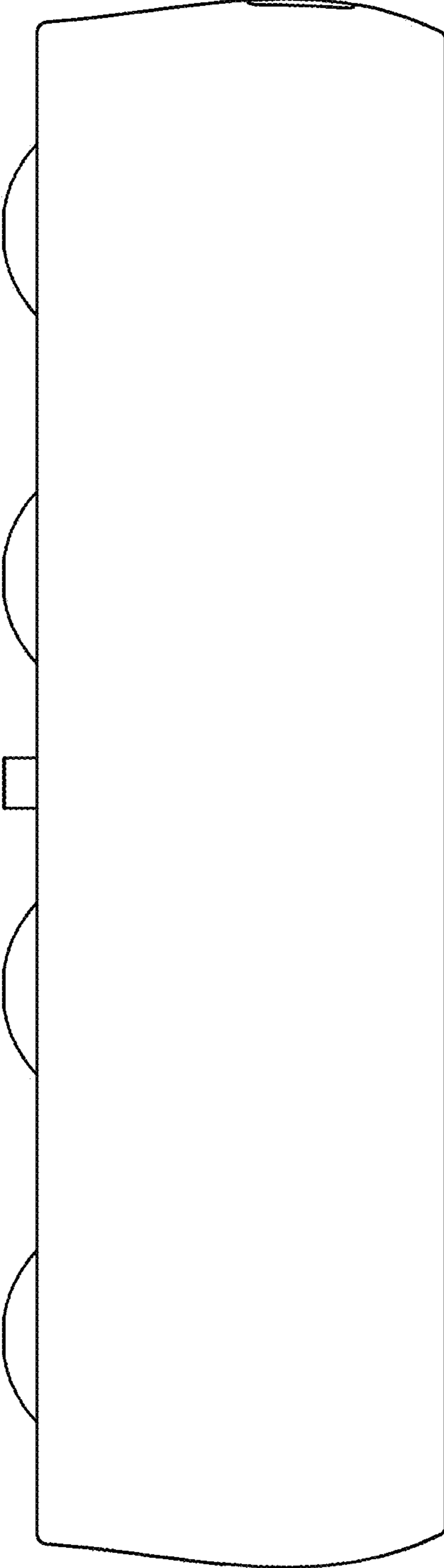


Fig. 2

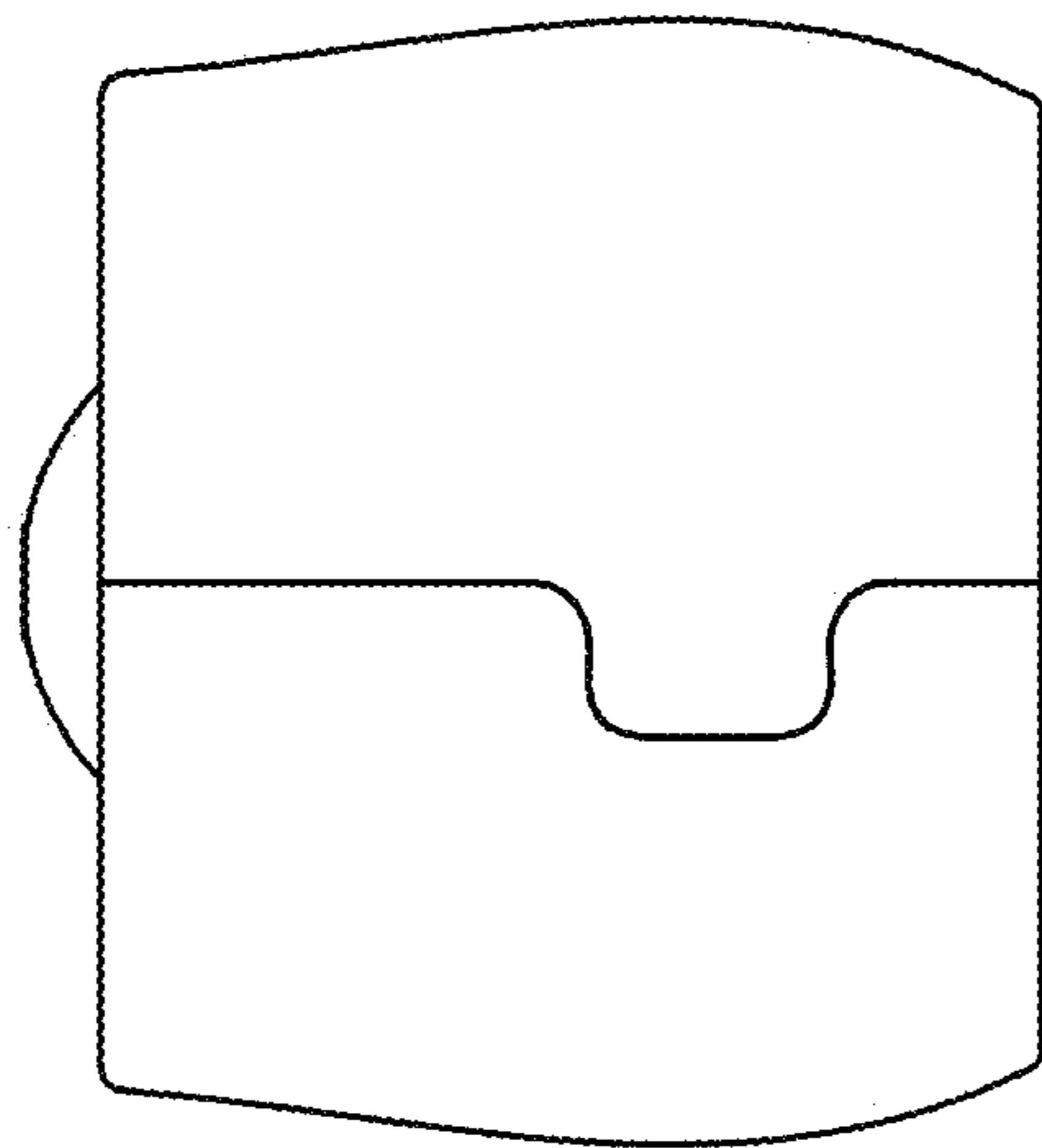


Fig. 3

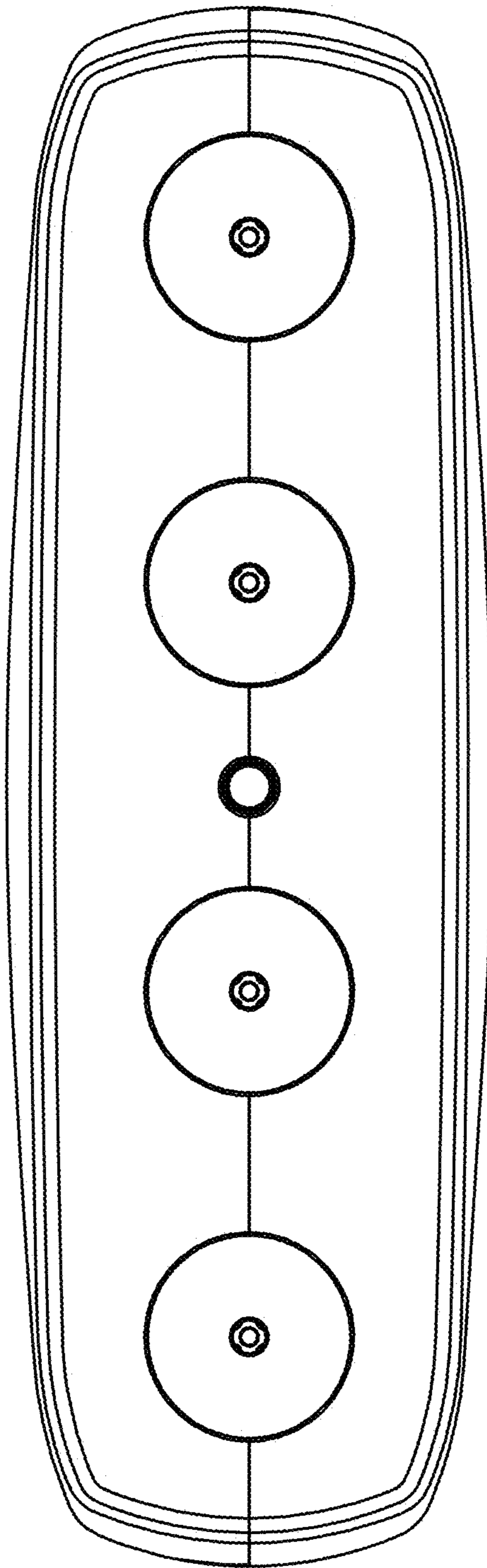


Fig. 4

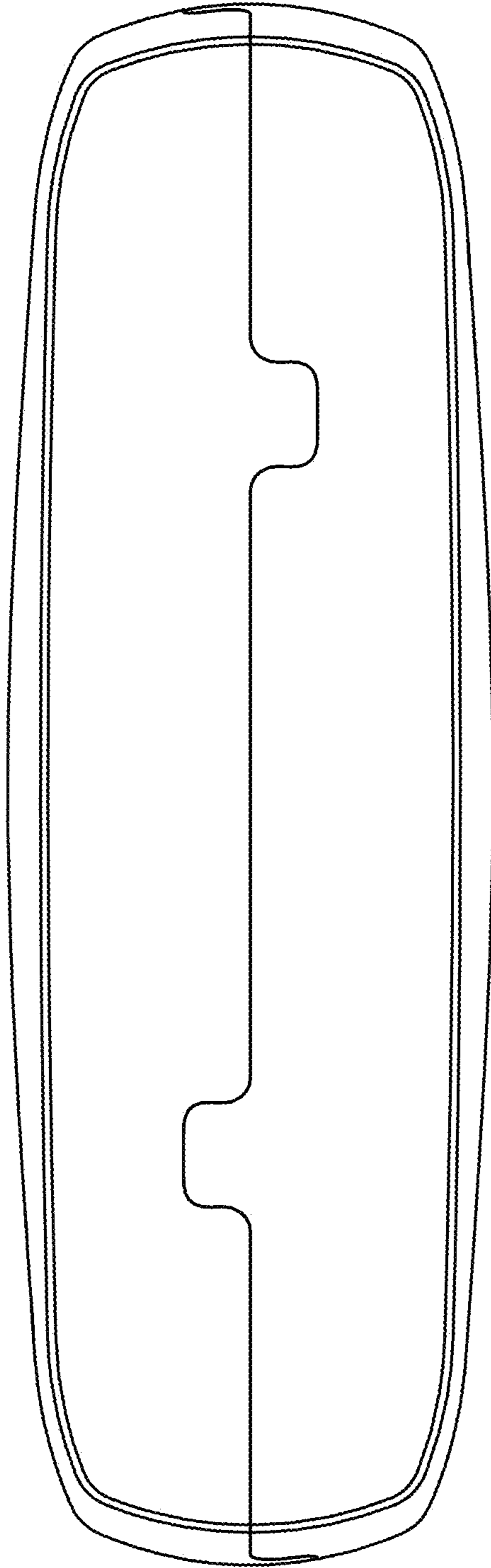


Fig. 5

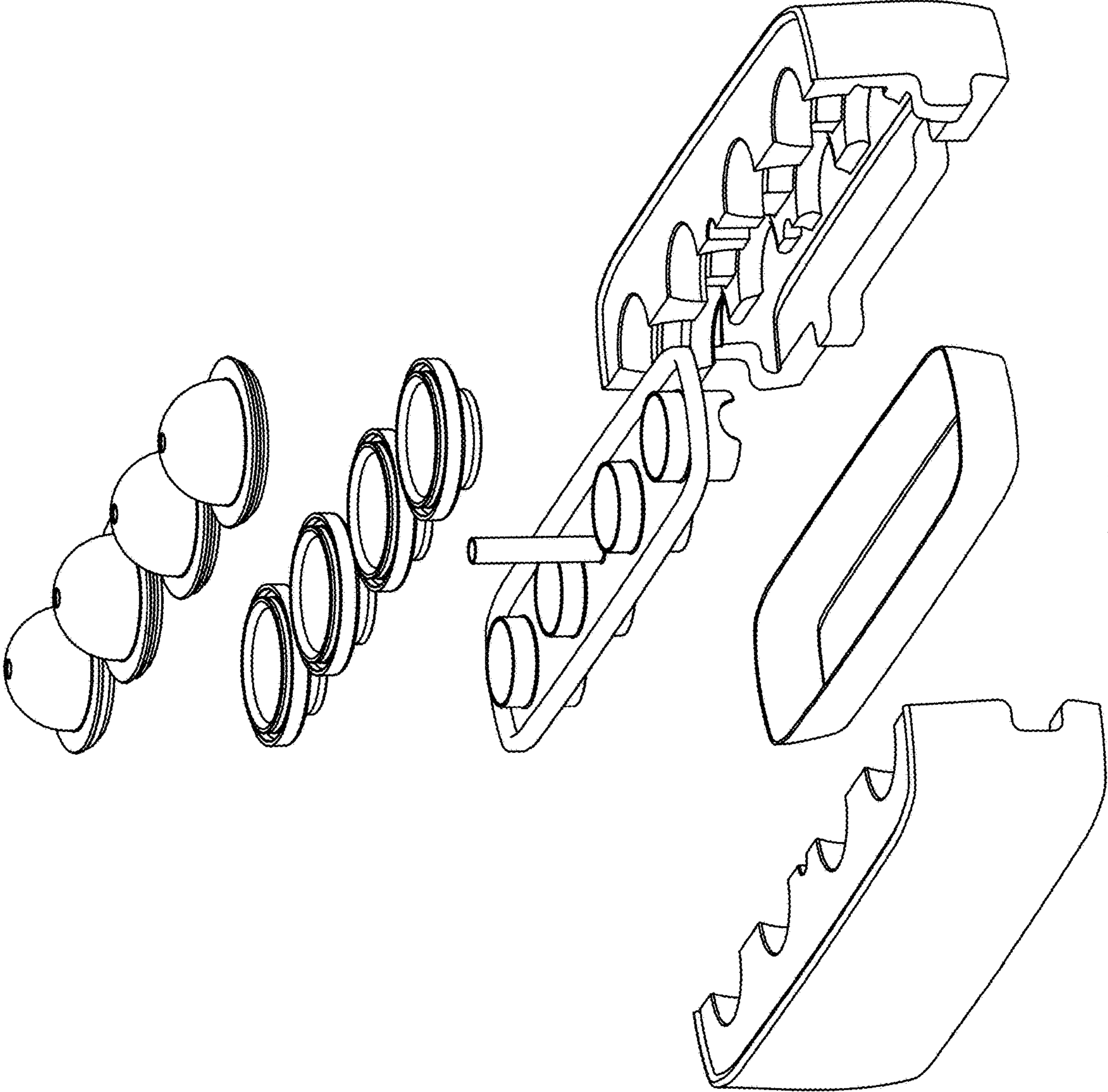


Fig. 6

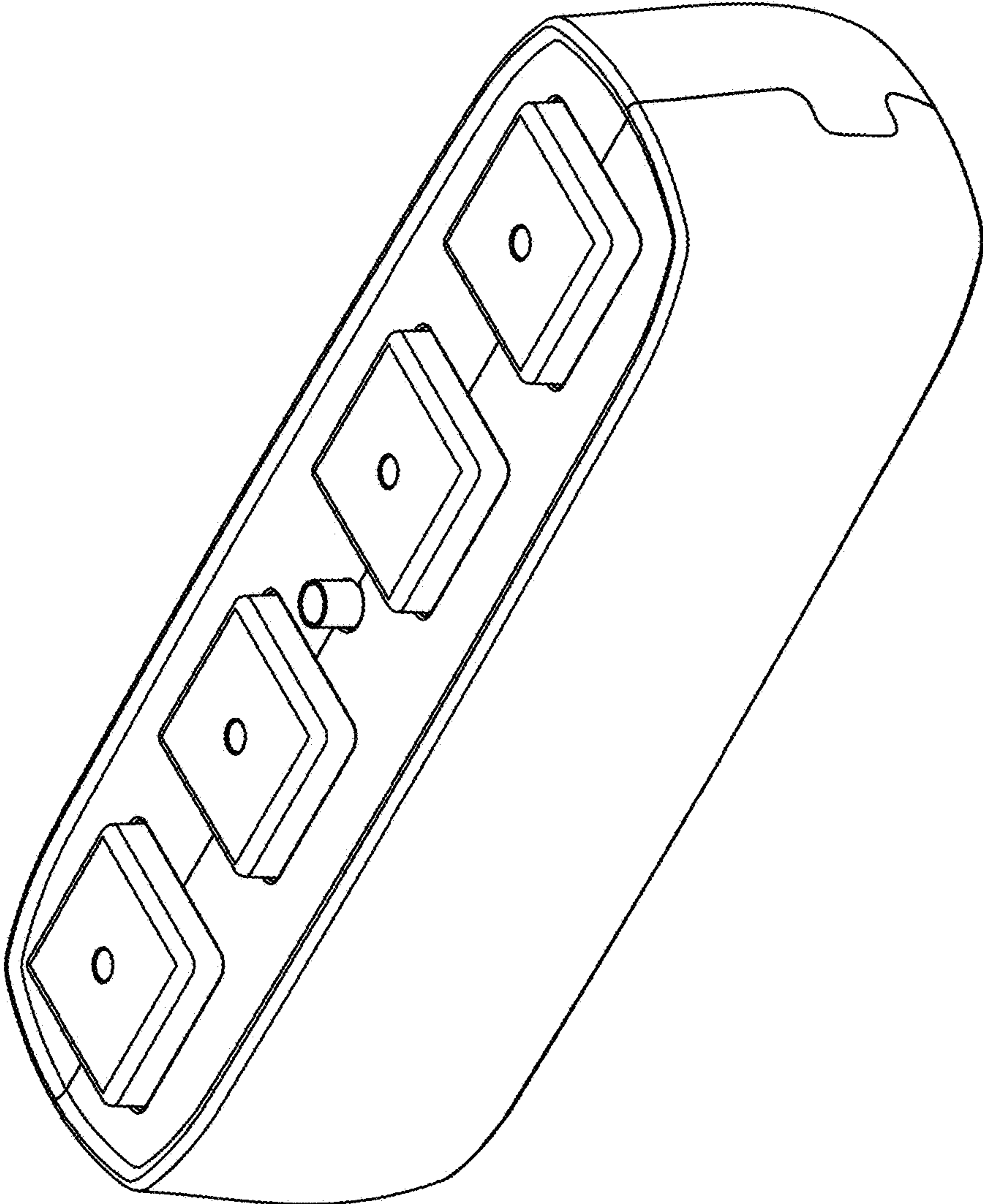


FIG. 7

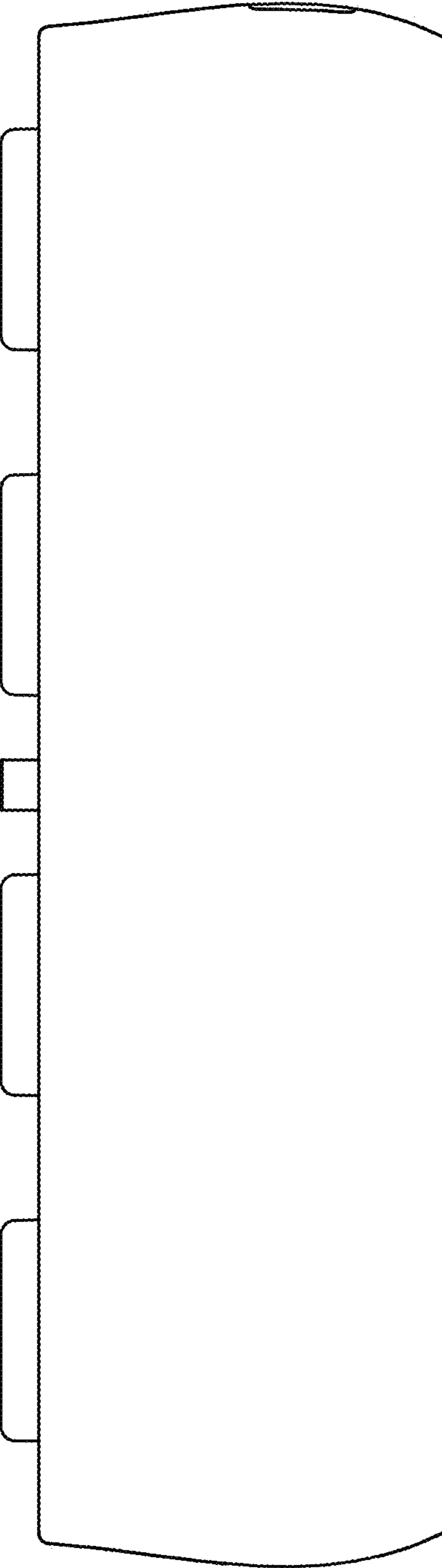


FIG. 8

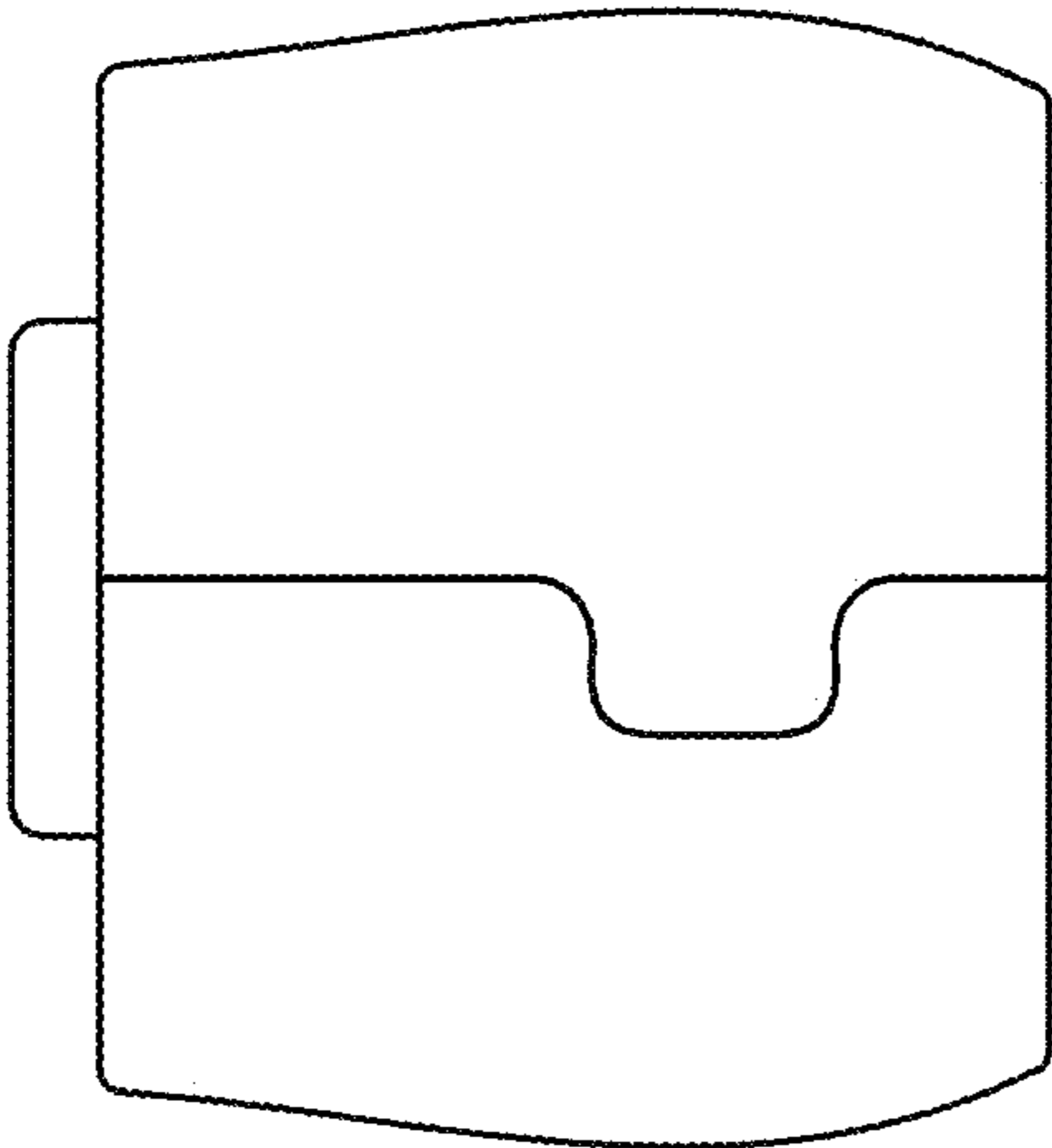


FIG. 9

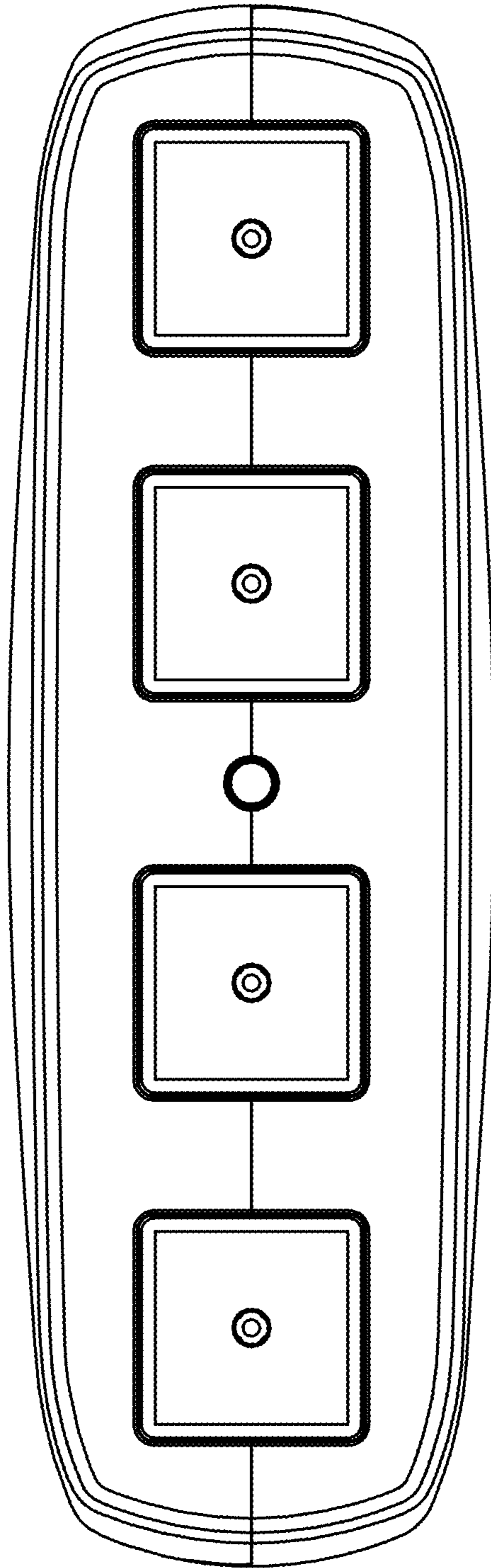


FIG. 10

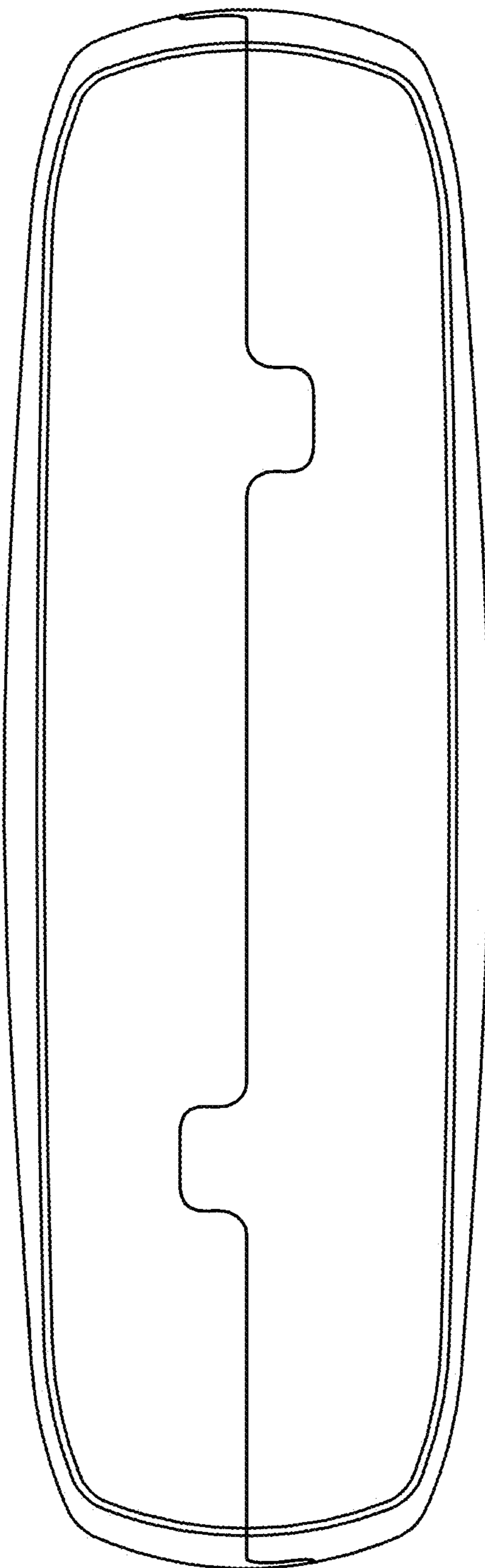


FIG. 11

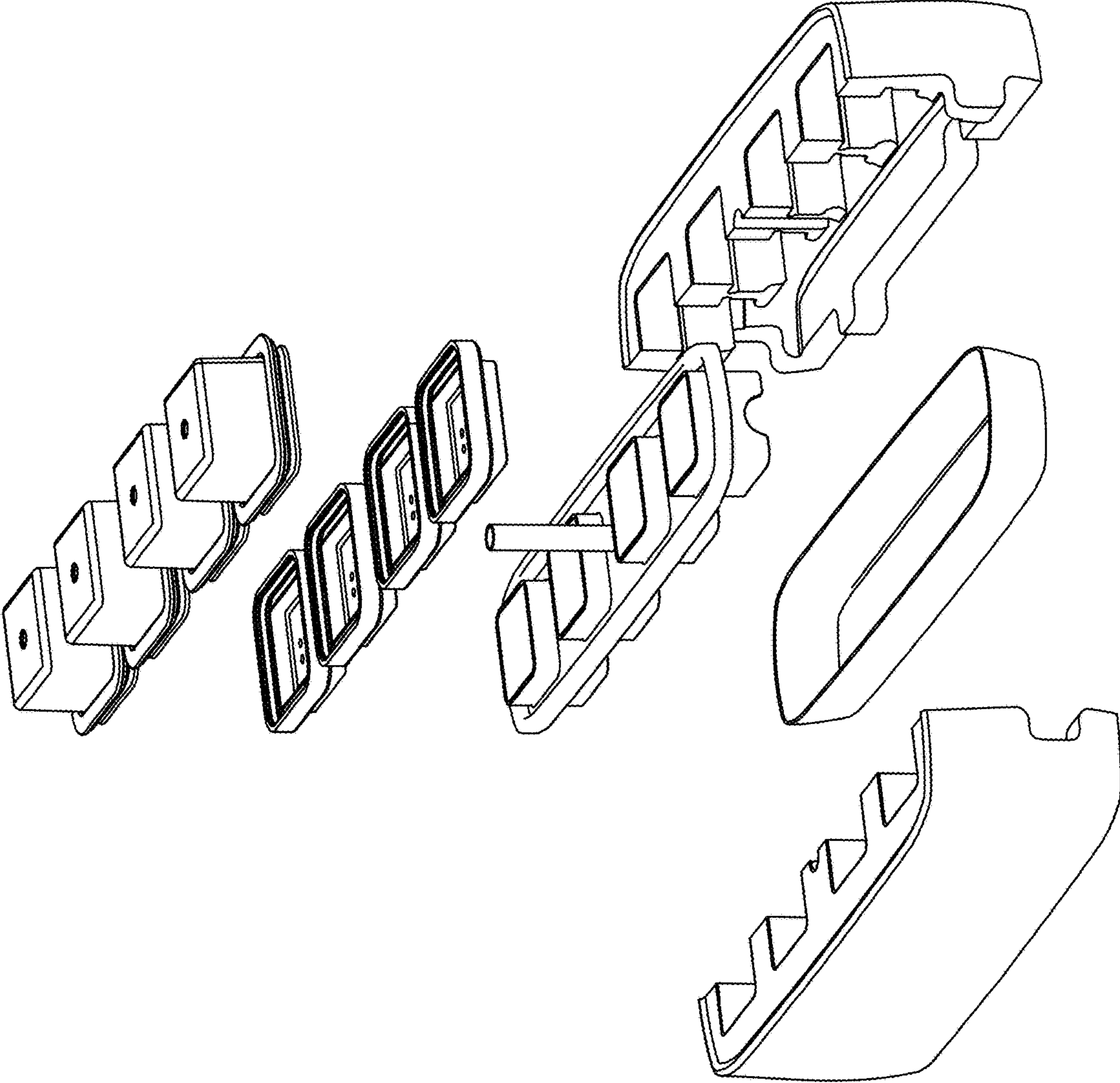


FIG. 12