



US00D807931S

(12) **United States Design Patent**
Kim et al.

(10) **Patent No.:** **US D807,931 S**
(45) **Date of Patent:** **** Jan. 16, 2018**

(54) **DRAWER FOR REFRIGERATOR**
(71) Applicant: **SAMSUNG ELECTRONICS CO., LTD.**, Suwon-si, Gyeonggi-do (KR)

D733,773 S * 7/2015 Lee D15/89
D786,321 S * 5/2017 Lee D15/89
D788,191 S * 5/2017 Kim D15/89
D791,200 S * 7/2017 Kim D15/89
D791,845 S * 7/2017 Kim D15/89

(72) Inventors: **Hyunsoo Kim**, Seongnam-si (KR);
Sunmin Lee, Seoul (KR); **Cheolwoong Seo**, Seongnam-si (KR); **Hwanwoong Choi**, Seoul (KR); **Youngmin Park**, Seoul (KR)

FOREIGN PATENT DOCUMENTS

CN 302483964 S 6/2013
CN 303480014 S 12/2015
EM 002351742-0005 11/2013
KR 300451355 S 5/2007
KR 300644321 S 5/2012

(73) Assignee: **SAMSUNG ELECTRONICS CO., LTD.**, Gyeonggi-Do (KR)

* cited by examiner

(**) Term: **15 Years**

Primary Examiner — Ian Simmons

(21) Appl. No.: **29/585,975**

Assistant Examiner — Khawaja Anwar

(22) Filed: **Nov. 30, 2016**

(74) *Attorney, Agent, or Firm* — Cantor Colburn LLP

(30) **Foreign Application Priority Data**

(57) **CLAIM**

Jun. 15, 2016 (KR) 30-2016-0028963

The ornamental design for a drawer for refrigerator, as shown and described.

(51) **LOC (11) Cl.** **15-07**

(52) **U.S. Cl.**
USPC **D15/89**

DESCRIPTION

(58) **Field of Classification Search**
USPC D15/79–91
CPC F25D 29/00; F25D 11/003; F25D 2700/08;
F25D 11/02; F25D 11/022; F25D 13/06;
F25D 19/006; F25D 2201/14; F25D
2323/00261; F25D 2323/00262; F25D
2323/00272; F25D 2400/361; F25D
2500/06; F25D 2700/02; F25D 2700/12;
F25D 29/005; F25D 29/008; F25D
31/002

FIG. 1 is a perspective view of a drawer for refrigerator, showing our new design;
FIG. 2 is a front view thereof;
FIG. 3 is a rear view thereof;
FIG. 4 is a side view thereof;
FIG. 5 is another side view thereof;
FIG. 6 is a top view thereof;
FIG. 7 is a bottom view thereof; and,
FIG. 8 is a perspective view thereof in an environment of use.

See application file for complete search history.

The broken lines illustrating portions of the drawer for refrigerator form no part of the claimed design. The broken lines illustrating portions of a refrigerator in FIG. 8 are for environmental purposes only and form no part of the claimed design.

(56) **References Cited**

U.S. PATENT DOCUMENTS

D714,840 S * 10/2014 Yang D15/89
D733,770 S * 7/2015 Park D15/89

1 Claim, 6 Drawing Sheets

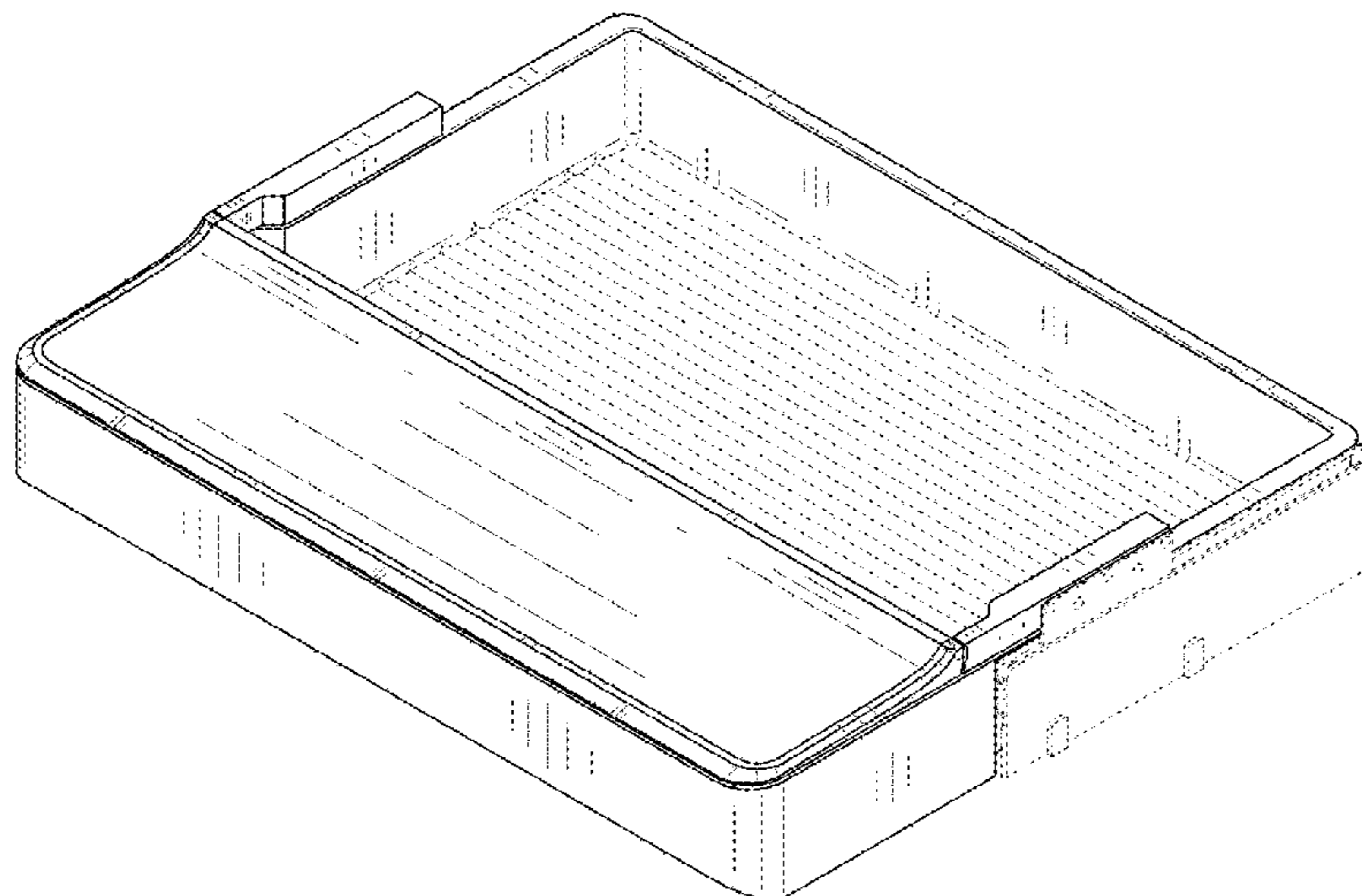


FIG. 1

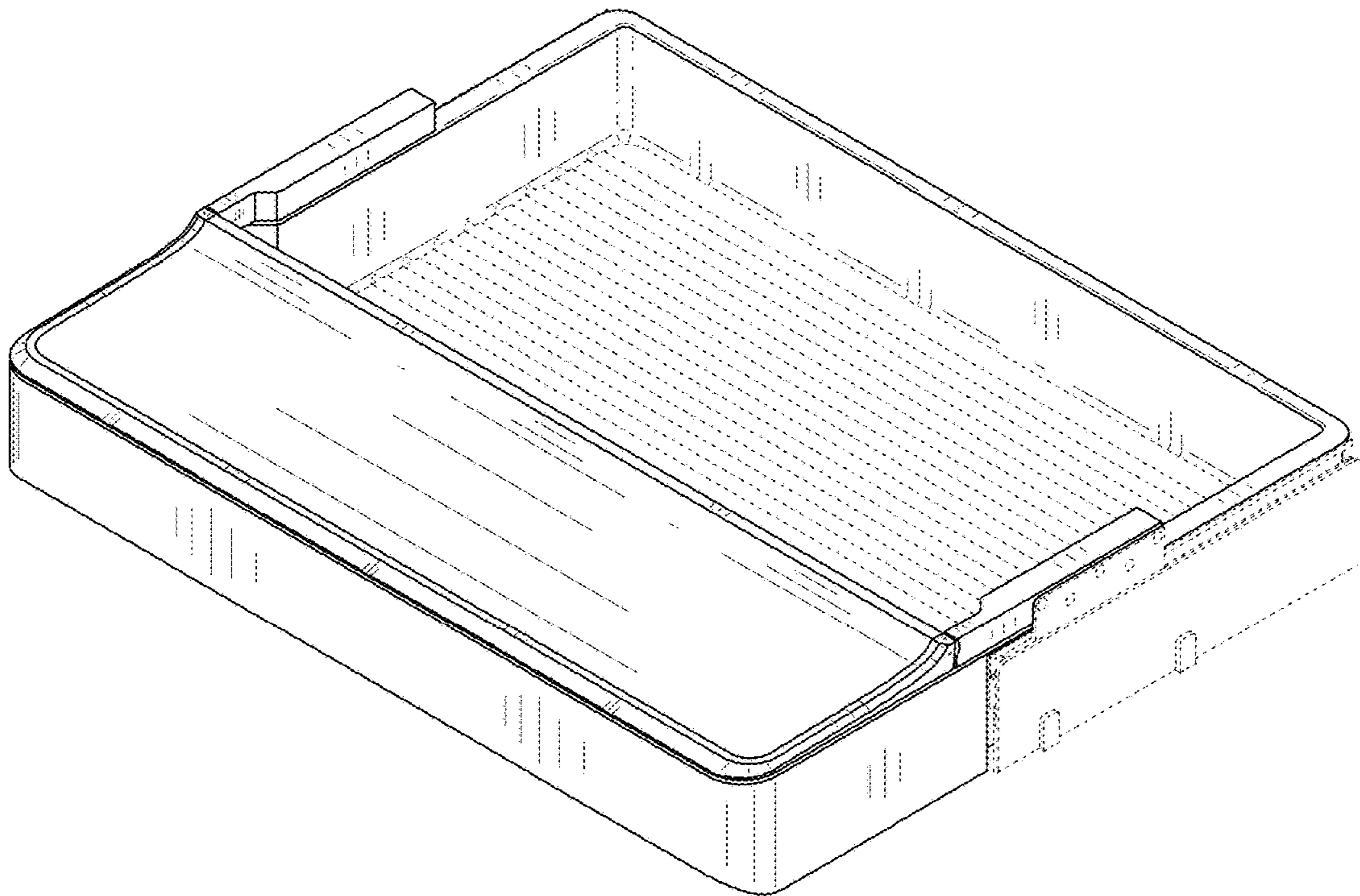


FIG. 2

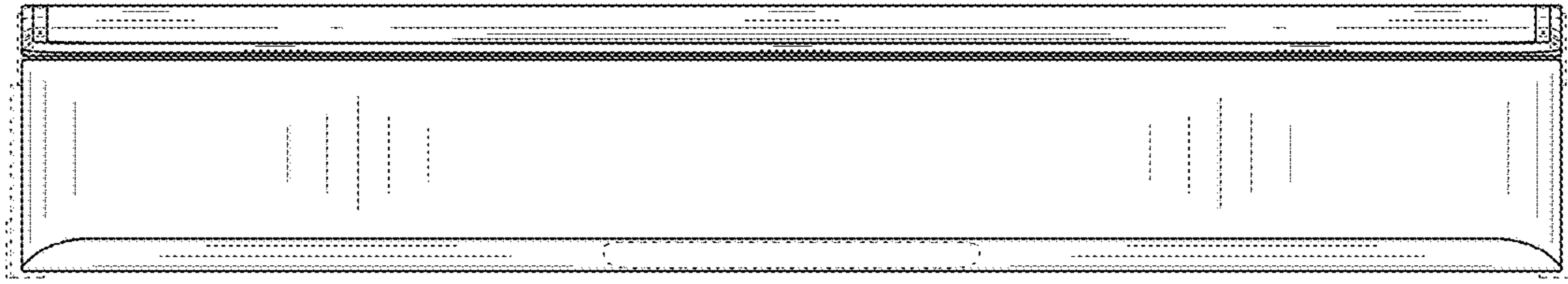


FIG. 3

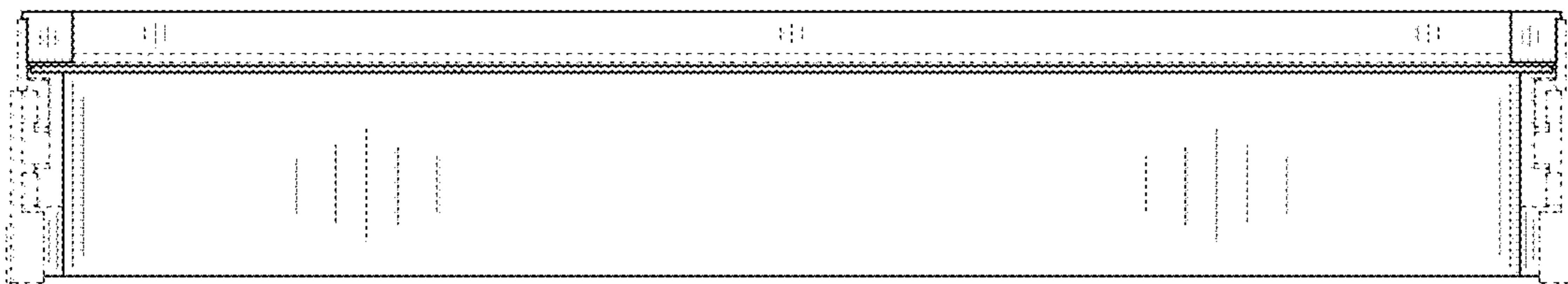


FIG. 4

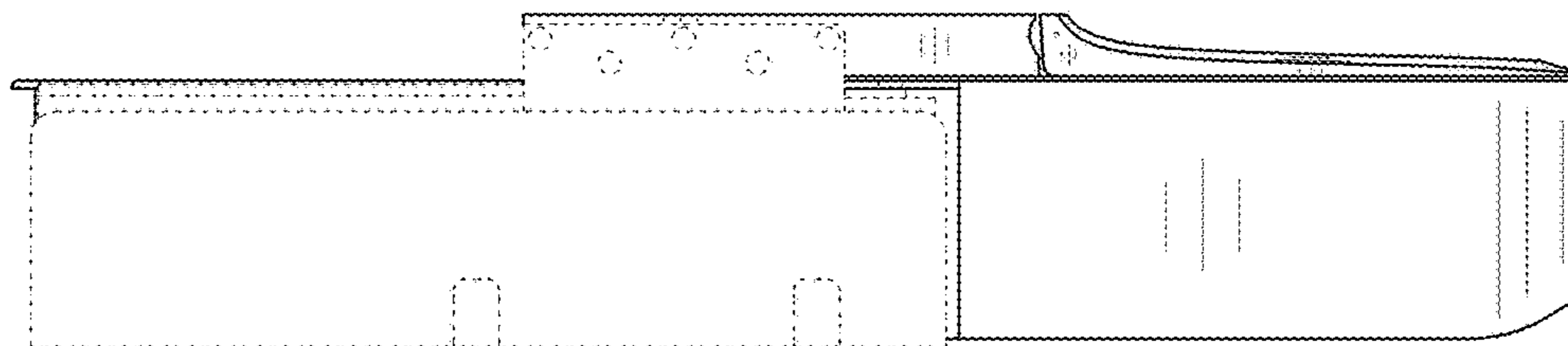


FIG. 5

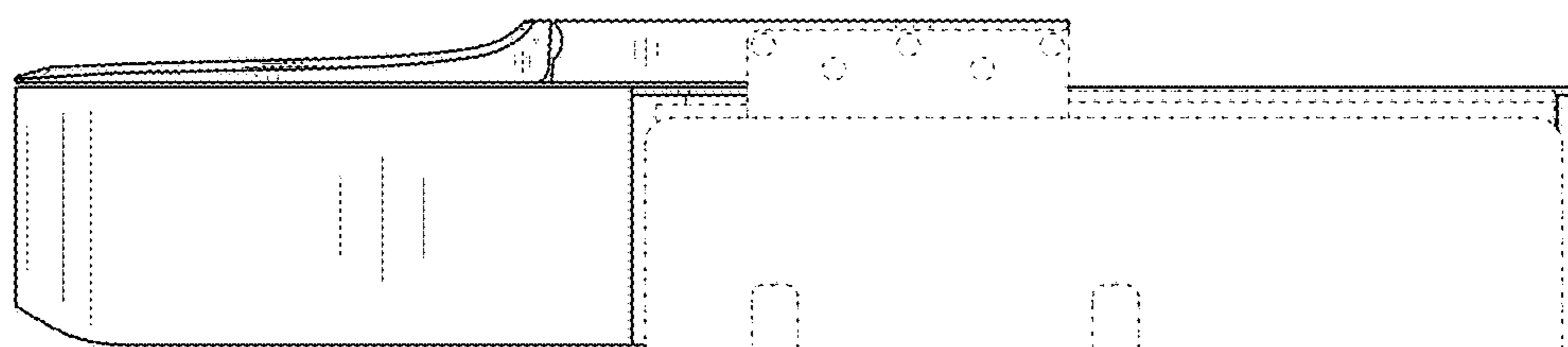


FIG. 6

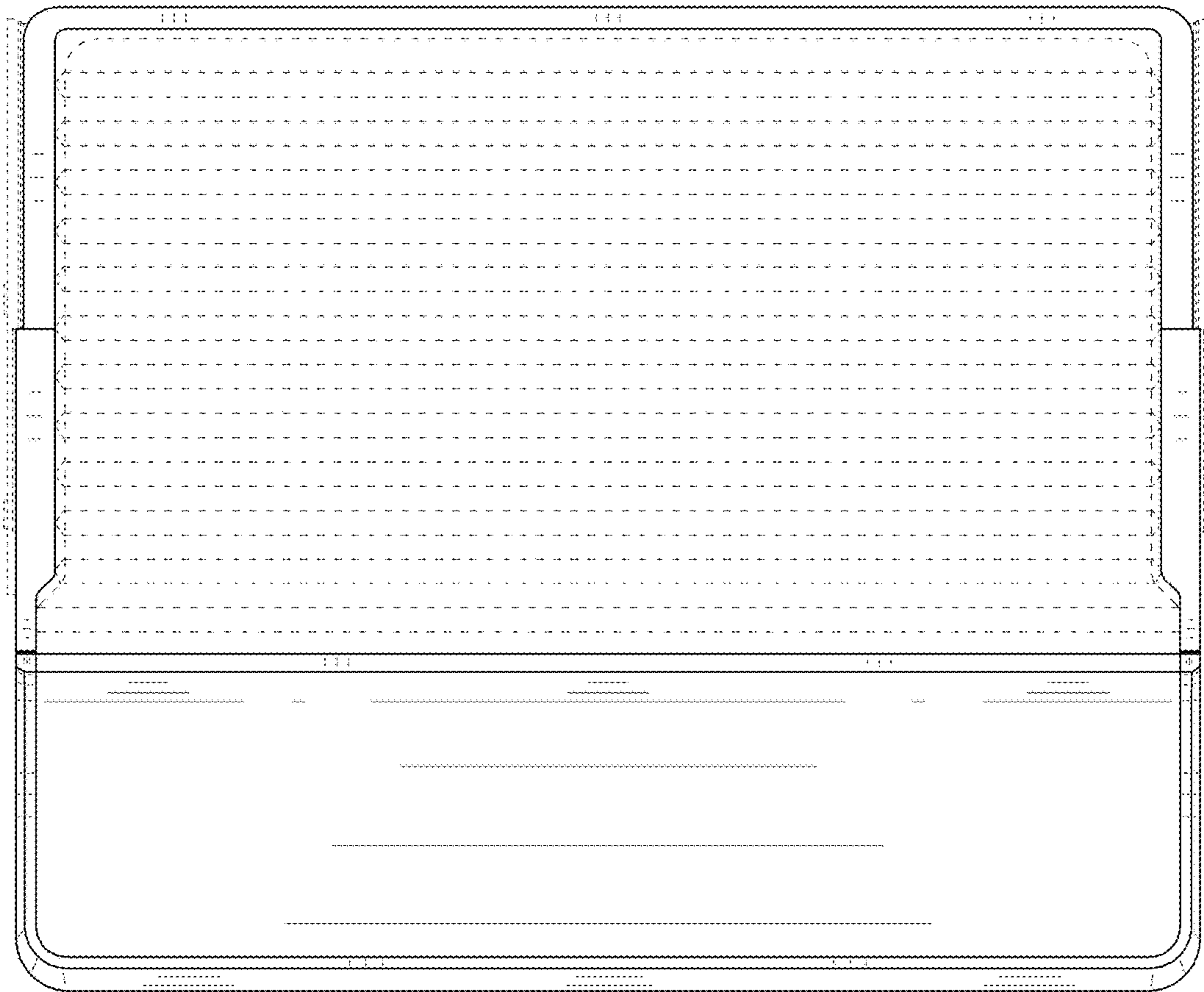


FIG. 7

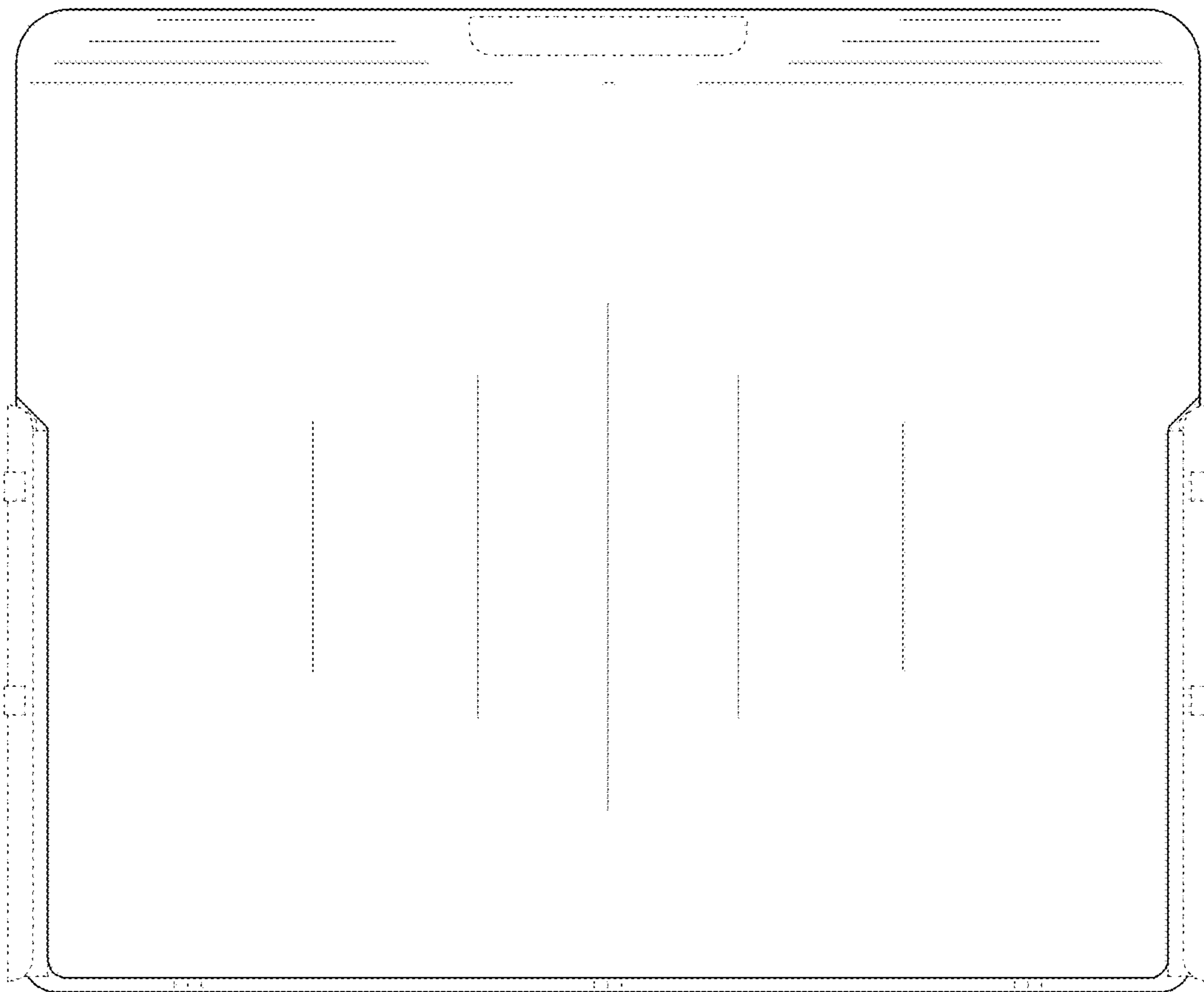


FIG. 8

