



US00D807927S

(12) **United States Design Patent**
Perkes

(10) **Patent No.:** **US D807,927 S**
(45) **Date of Patent:** **** Jan. 16, 2018**

- (54) **MACHINE SEWING AID**
- (71) Applicant: **Gina Perkes**, Payson, AZ (US)
- (72) Inventor: **Gina Perkes**, Payson, AZ (US)
- (**) Term: **15 Years**
- (21) Appl. No.: **29/558,433**
- (22) Filed: **Mar. 17, 2016**
- (51) **LOC (11) Cl.** **15-06**
- (52) **U.S. Cl.**
USPC **D15/78**
- (58) **Field of Classification Search**
USPC D15/66, 72, 77, 78; D3/18-26
CPC D05C 1/00; D05C 1/08; D05C 7/00; B43L
7/00; B43L 7/005; D05B 97/00-97/12;
D05B 35/10-35/107
See application file for complete search history.

- D425,738 S * 5/2000 Lubowicz D10/108
- D556,842 S * 12/2007 Webber D21/694
- D614,858 S * 5/2010 Ranzau D3/26
- D615,746 S * 5/2010 Ranzau D3/26
- 7,958,834 B2 * 6/2011 Matsumoto D05C 3/02
112/470.17
- D657,231 S * 4/2012 Springer D14/239
- D659,723 S * 5/2012 Hoover D15/78
- 8,186,073 B2 * 5/2012 Nethery B43L 7/005
33/562
- 8,397,396 B2 * 3/2013 Nethery B43L 7/005
33/563
- 8,869,417 B2 * 10/2014 Yeh B43L 13/205
33/565
- D726,036 S * 4/2015 Zieman D10/65
- 2005/0252019 A1 * 11/2005 Gordon D05B 97/12
33/566

* cited by examiner

Primary Examiner — Mitchell I. Siegel
(74) *Attorney, Agent, or Firm* — IPTechLaw

(56) **References Cited**

U.S. PATENT DOCUMENTS

- 708,506 A * 9/1902 Valentine A41H 3/002
33/11
- D97,285 S * 10/1935 Hallowell et al. D15/72
- D229,128 S * 11/1973 Little D10/65
- 3,833,157 A * 9/1974 Lofton A41G 1/02
156/173
- D235,387 S * 6/1975 Tarbox D15/78
- D245,548 S * 8/1977 Morgan D15/78
- D265,884 S * 8/1982 Mabry D15/78
- 5,136,957 A * 8/1992 Nielsen, Jr. D05B 35/02
112/136
- D332,614 S * 1/1993 Lindsay D15/78
- D359,615 S * 6/1995 Broy D3/18
- 5,471,749 A * 12/1995 Brady B26B 29/06
33/484

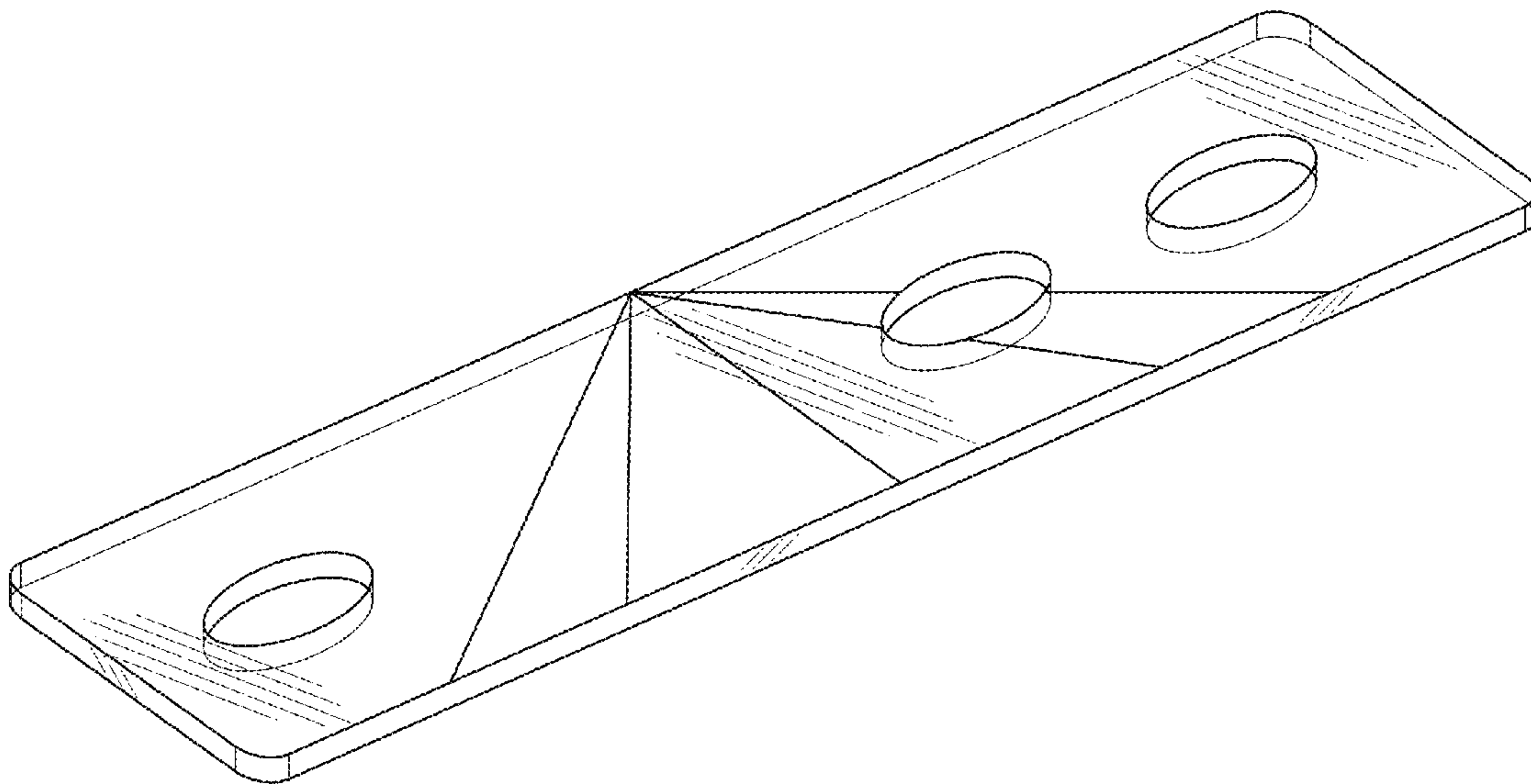
(57) **CLAIM**

The ornamental design for a machine sewing aid, as shown and described.

DESCRIPTION

FIG. 1 is a top, front perspective view of an embodiment of a machine sewing aid;
FIG. 2 is a front view thereof, the back view being a mirror image;
FIG. 3 is a left side view thereof, the right side being a mirror image; and,
FIG. 4 is a top view thereof, the bottom view being a mirror image visible through the transparent material of the machine sewing aid.

1 Claim, 2 Drawing Sheets



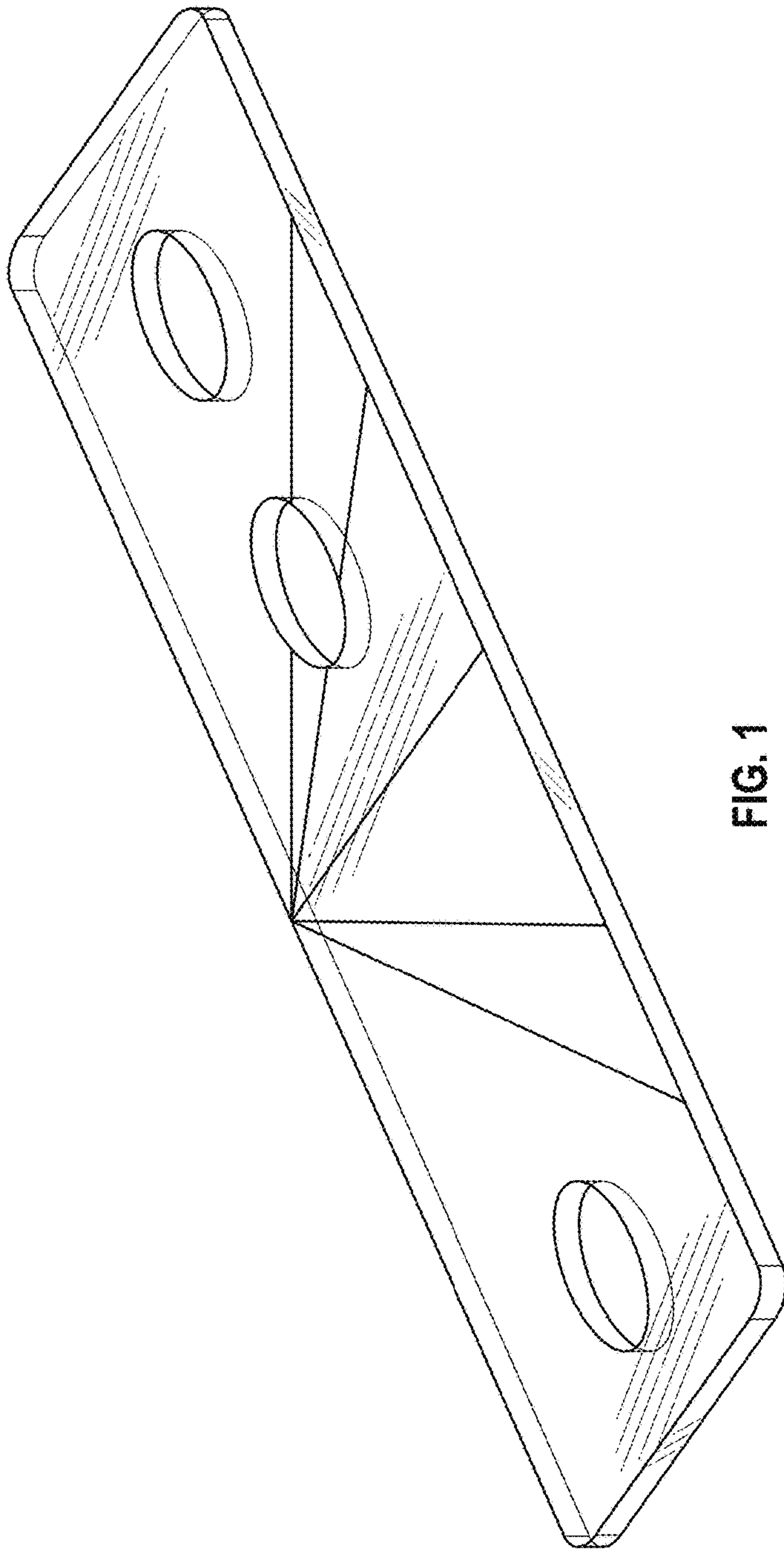


FIG. 1



FIG. 2

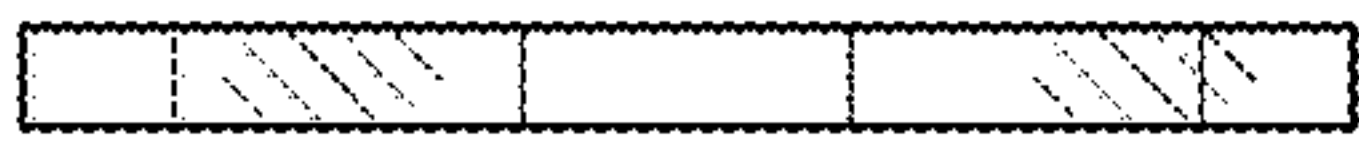


FIG. 3

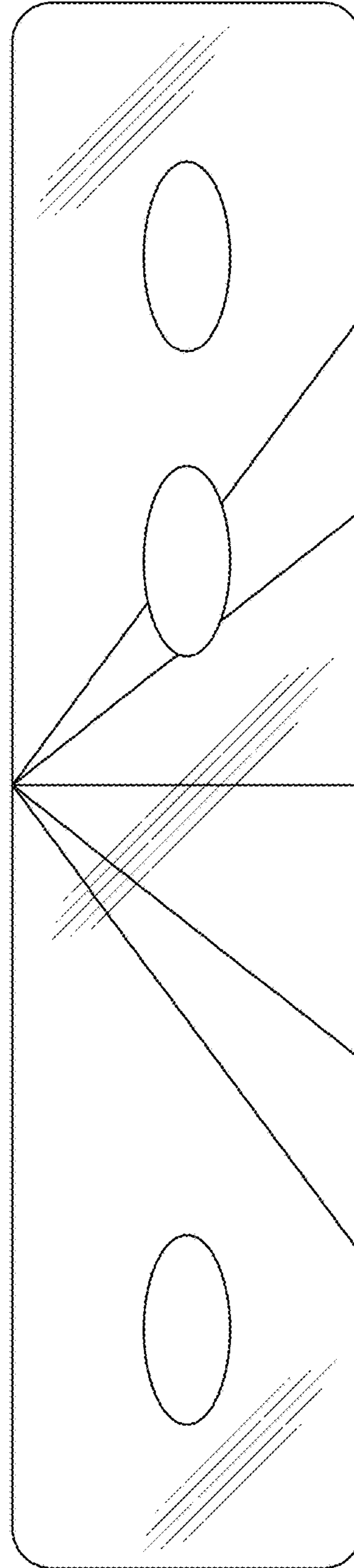


FIG. 4