



US00D807923S

(12) **United States Design Patent**  
**Anderson et al.**

(10) **Patent No.:** **US D807,923 S**  
(45) **Date of Patent:** **\*\* Jan. 16, 2018**

(54) **INTERFACE PORTION OF A PUMP**

5,397,222 A 3/1995 Moss et al.  
5,538,399 A 7/1996 Johnson  
D376,796 S 12/1996 Hirasawa

(71) Applicant: **ABBVIE INC.**, North Chicago, IL (US)

(Continued)

(72) Inventors: **Phil D. Anderson**, Libertyville, IL (US); **Kevin Novak**, Park Ridge, IL (US); **Gurjinder Dhami**, Neenah, WI (US); **Scott Smieja**, Oshkosh, WI (US); **Matthew Svacina**, Brillion, WI (US); **Gary Friederichs**, Chilton, WI (US)

FOREIGN PATENT DOCUMENTS

JP 2005-351131 A 12/2005

OTHER PUBLICATIONS

(73) Assignee: **ABBVIE INC.**, North Chicago, IL (US)

U.S. Appl. No. 29/513,435, dated May 19, 2016 Non-Final Office Action.

(\*\*) Term: **15 Years**

(Continued)

(21) Appl. No.: **29/550,455**

*Primary Examiner* — Ralf Seifert

(22) Filed: **Jan. 4, 2016**

(74) *Attorney, Agent, or Firm* — Baker Botts L.L.P.

(57) **CLAIM**

The ornamental design for an interface portion of a pump, as shown and described.

**Related U.S. Application Data**

**DESCRIPTION**

(63) Continuation of application No. 29/513,436, filed on Dec. 30, 2014, now Pat. No. Des. 746,871.

(51) **LOC (11) Cl.** ..... **15-02**

(52) **U.S. Cl.**  
USPC ..... **D15/7**

(58) **Field of Classification Search**  
USPC ..... D15/7-9; D23/231, 232, 225; 417/60, 417/235, 265, 321, 355, 358, 363, 359, 417/410.1, 415-416, 405, 900; 60/408, 60/412; 184/26-37; 415/140-147; 123/495, 509; 137/565.34; D24/111  
CPC ..... F02M 37/04; F02M 37/14  
See application file for complete search history.

FIG. 1 is a perspective view of an embodiment of our design for an interface portion of a pump, with a lock member in an open position.

FIG. 2 is a front view of the interface portion of the pump of FIG. 1.

FIG. 3 is a rear view of the interface portion of the pump of FIG. 1.

FIG. 4 is a left side view of the interface portion of the pump of FIG. 1.

FIG. 5 is a right side view of the interface portion of the pump of FIG. 1.

FIG. 6 is a top view of the interface portion of the pump of FIG. 1; and,

FIG. 7 is a bottom view of the interface portion of the pump of FIG. 1.

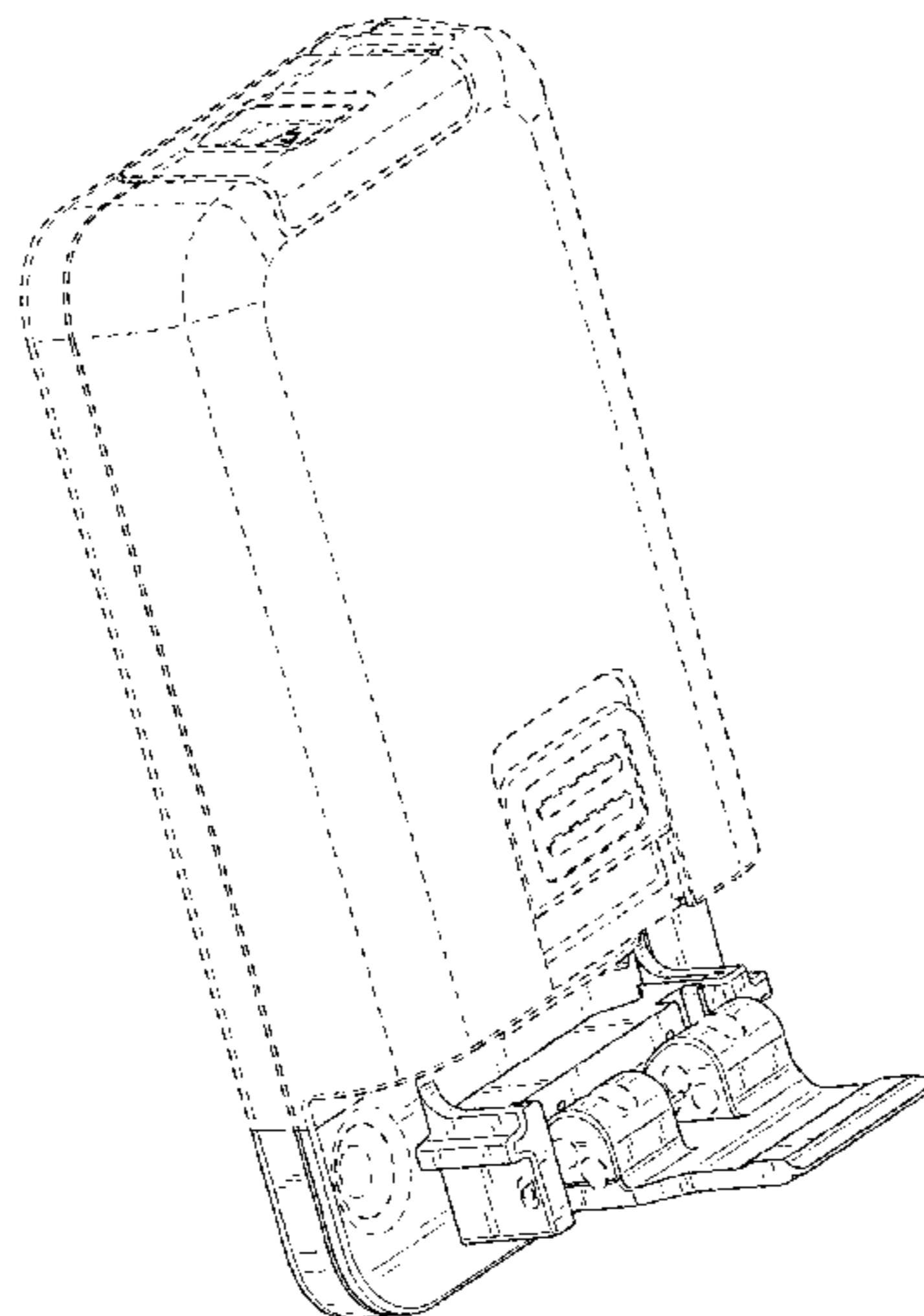
The broken lines shown throughout these figures depict environmental subject matter only and form no part of the claimed design.

(56) **References Cited**

U.S. PATENT DOCUMENTS

4,537,561 A 8/1985 Xanthopoulos  
5,131,816 A 7/1992 Brown et al.  
5,181,910 A 1/1993 Scanlon  
D348,730 S 7/1994 Walker et al.

**1 Claim, 6 Drawing Sheets**



(56)

References Cited

U.S. PATENT DOCUMENTS

5,718,562 A \* 2/1998 Lawless ..... A61M 5/1413  
361/730

5,755,691 A 5/1998 Hilborne

5,928,196 A 7/1999 Johnson et al.

5,935,099 A 8/1999 Peterson et al.

6,077,055 A 6/2000 Vilks

D439,341 S \* 3/2001 Tumey ..... D15/7

6,227,203 B1 5/2001 Rise et al.

6,243,117 B1 6/2001 Brandon et al.

6,305,908 B1 \* 10/2001 Hermann ..... A61M 5/14244  
417/234

6,371,732 B1 4/2002 Moubayed et al.

6,422,057 B1 7/2002 Anderson

D471,562 S 3/2003 Kagami et al.

D471,917 S 3/2003 Kagami et al.

D482,370 S 11/2003 Niwatsukino et al.

D484,146 S 12/2003 Urano et al.

6,742,992 B2 6/2004 Davis

D517,091 S 3/2006 Sugiyama et al.

7,018,361 B2 3/2006 Gillespie, Jr. et al.

D520,023 S 5/2006 Goto et al.

D520,024 S 5/2006 Chen

D566,131 S 4/2008 Detering et al.

D579,569 S 10/2008 Strawn et al.

D583,856 S 12/2008 Mizuno et al.

D585,543 S 1/2009 Yodfat et al.

7,628,770 B2 12/2009 Ethelfeld

D626,647 S 11/2010 Amborn et al.

7,927,306 B2 4/2011 Cross et al.

8,114,066 B2 2/2012 Naef et al.

D655,810 S 3/2012 Amborn et al.

D659,717 S 5/2012 Mattson et al.

8,298,184 B2 10/2012 DiPerna et al.

D675,252 S 1/2013 Harvey et al.

8,377,002 B2 2/2013 Hanson et al.

D687,140 S 7/2013 Guarraia et al.

D689,523 S 9/2013 Galbraith et al.

D697,204 S 1/2014 Maier et al.

D720,804 S 1/2015 Van Den Broecke

D725,678 S 3/2015 Sekula et al.

8,974,415 B2 3/2015 Robert et al.

D744,005 S \* 11/2015 Anderson ..... D15/7

D744,586 S 12/2015 Chung et al.

D746,441 S \* 12/2015 Harr ..... D24/111

D746,871 S \* 1/2016 Anderson ..... D15/7

D776,253 S \* 1/2017 Li ..... D24/108

2003/0233069 A1 12/2003 Gillespie et al.

2004/0051368 A1 3/2004 Caputo et al.

2005/0094485 A1 5/2005 Demers et al.

2007/0078377 A1 4/2007 Mason

2008/0091139 A1 4/2008 Srinivasan et al.

2008/0255516 A1 10/2008 Yodfat et al.

2009/0182265 A1 7/2009 Mason

2010/0049128 A1 2/2010 McKenzie et al.

2010/0143168 A1 6/2010 Miyazaki et al.

2011/0166511 A1 \* 7/2011 Sharvit ..... G06F 19/3481  
604/65

2011/0202005 A1 8/2011 Yodfat et al.

2011/0300010 A1 12/2011 Jarnagin et al.

2012/0053522 A1 3/2012 Yodfat et al.

2012/0191059 A1 7/2012 Cummings et al.

2012/0217276 A1 8/2012 Kennedy

2012/0277667 A1 11/2012 Yodat et al.

2013/0267899 A1 10/2013 Robert et al.

2014/0194818 A1 \* 7/2014 Yodfat ..... A61M 5/1413  
604/151

2015/0182688 A1 7/2015 Dhami

2015/0182689 A1 7/2015 Dhami

OTHER PUBLICATIONS

U.S. Appl. No. 29/513,437, dated May 20, 2016 Non-Final Office Action.

U.S. Appl. No. 29/566,784, filed Jun. 2, 2016.

U.S. Appl. No. 29/513,435, dated Aug. 18, 2016 Response to Non-Final Office Action.

U.S. Appl. No. 29/513,437, dated Sep. 9, 2016 Notice of Allowance.

U.S. Appl. No. 29/513,437, dated Aug. 18, 2016 Response to Non-Final Office Action.

U.S. Appl. No. 29/513,438, dated Jun. 28, 2016 Notice of Allowance.

U.S. Appl. No. 29/513,438, date May 26, 2016 Notice of Allowance.

U.S. Appl. No. 29/513,438, dated May 26, 2016 Issue Fee Payment.

U.S. Appl. No. 29/513,435, dated Sep. 15, 2016 Notice of Allowance.

U.S. Appl. No. 29/566,784, dated Sep. 16, 2016 Notice of Allowance.

U.S. Appl. No. 29/513,435, filed Dec. 30, 2014.

U.S. Appl. No. 29/513,437, filed Dec. 30, 2014.

U.S. Appl. No. 29/513,438, filed Dec. 30, 2014.

U.S. Appl. No. 29/513,434, dated Oct. 20, 2015 Issue Fee Payment.

U.S. Appl. No. 29/513,434, dated Jul. 20, 2015 Notice of Allowance.

U.S. Appl. No. 29/513,436, dated Nov. 24, 2015 Issue Fee Payment.

U.S. Appl. No. 29/513,436, dated Aug. 24, 2015 Notice of Allowance.

U.S. Appl. No. 29/513,438, dated Feb. 26, 2016 Notice of Allowance.

U.S. Appl. No. 15/064,481, filed Mar. 8, 2016.

Non-Final Office Action U.S. Appl. No. 14/586,916, dated Oct. 6, 2017.

\* cited by examiner

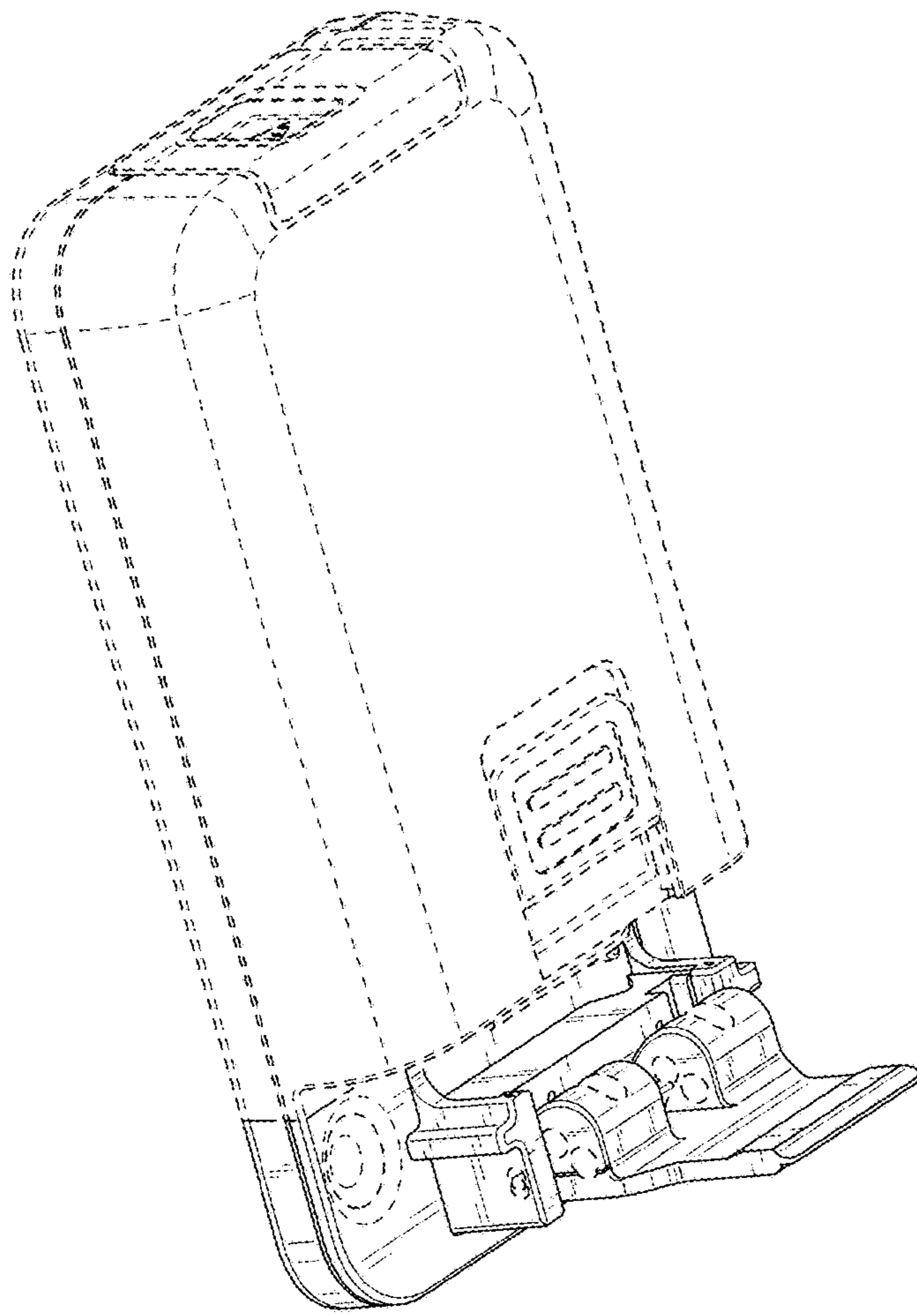


FIG. 1

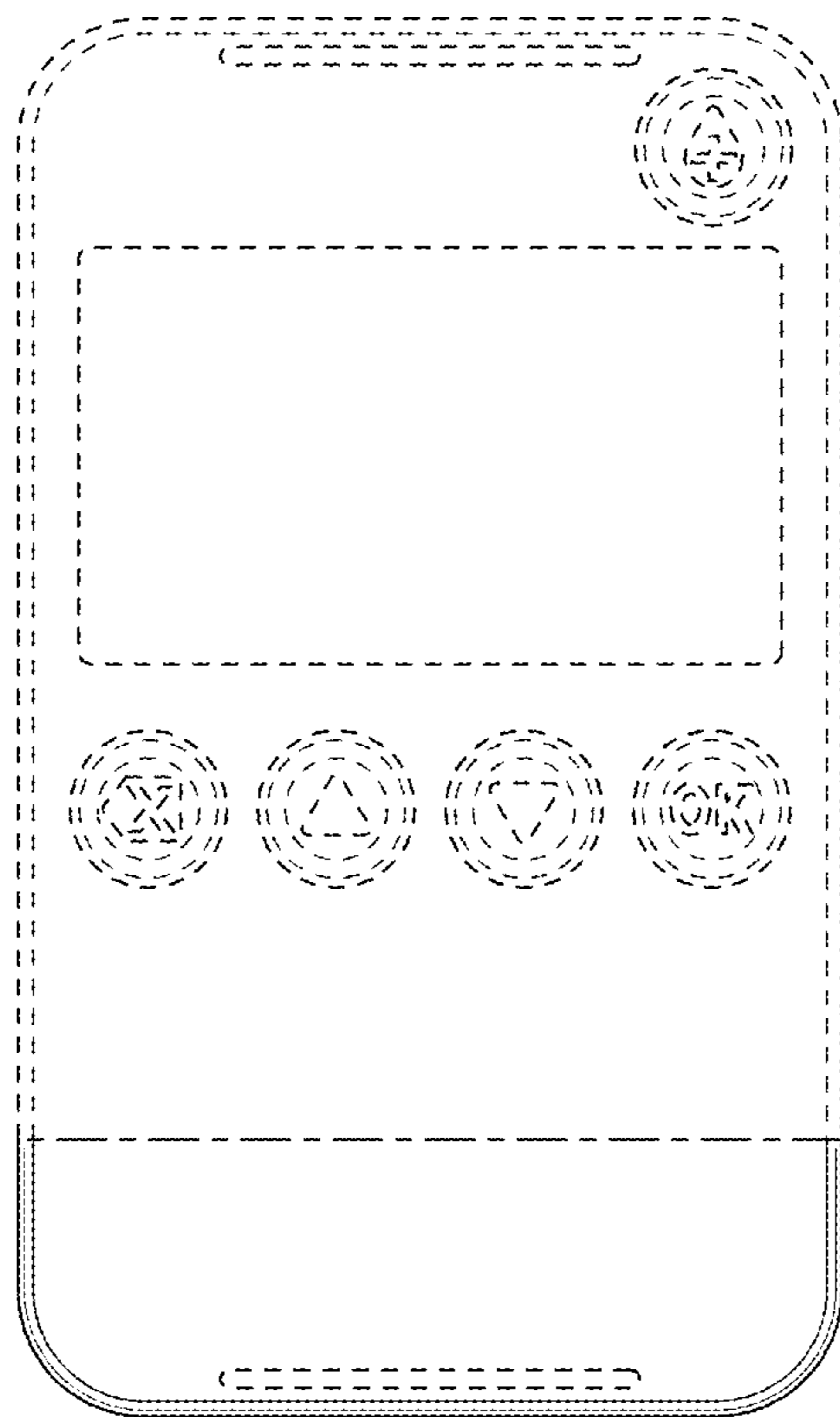


FIG. 2



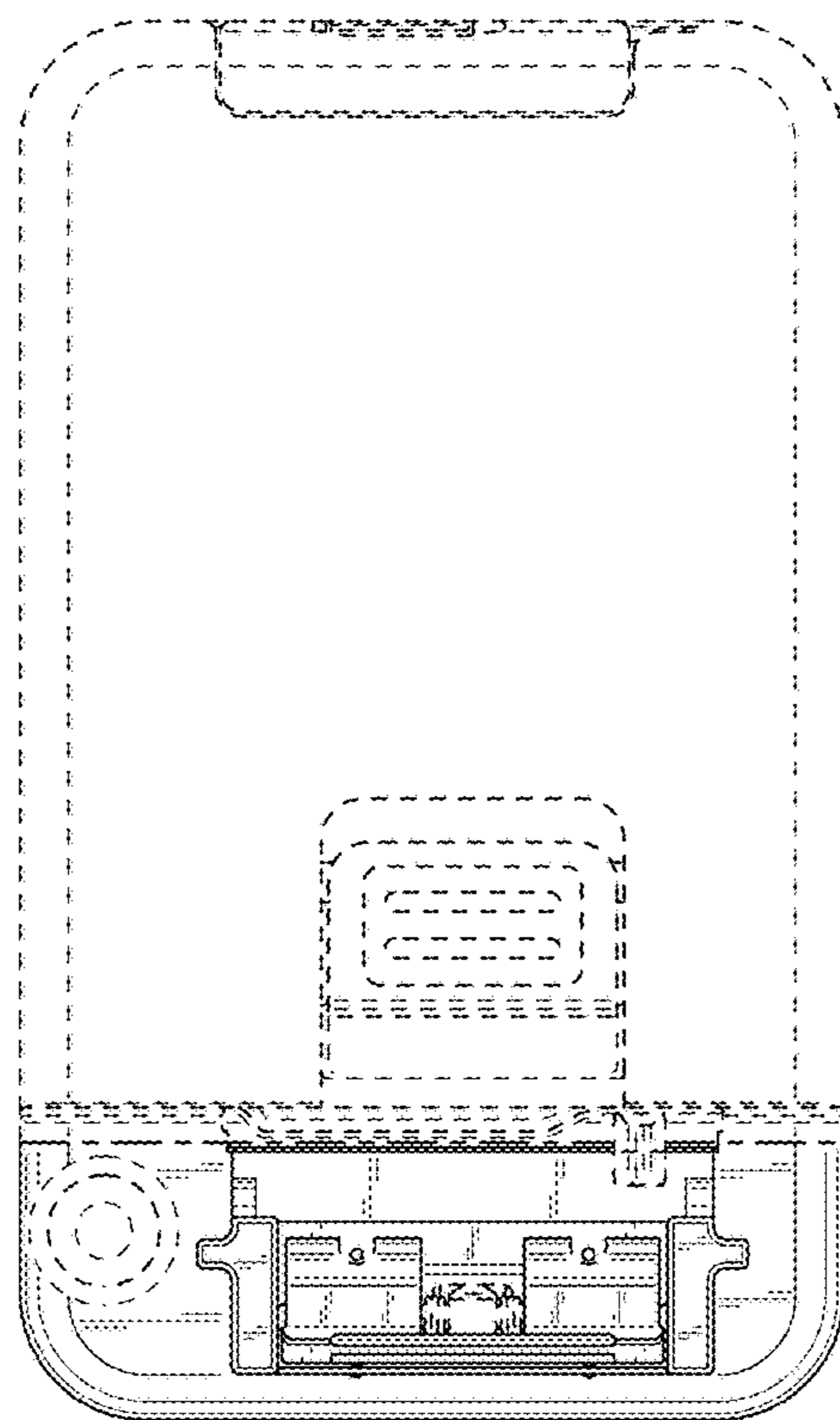


FIG. 3

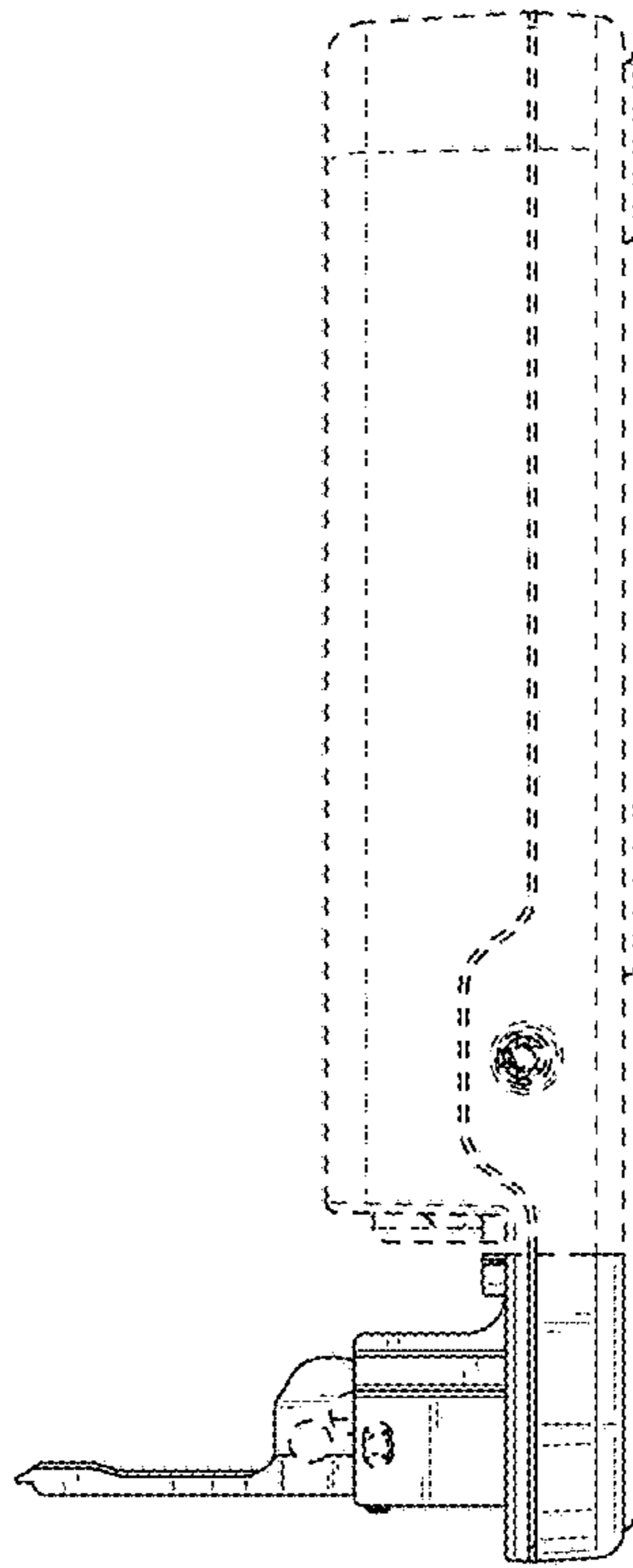


FIG. 4

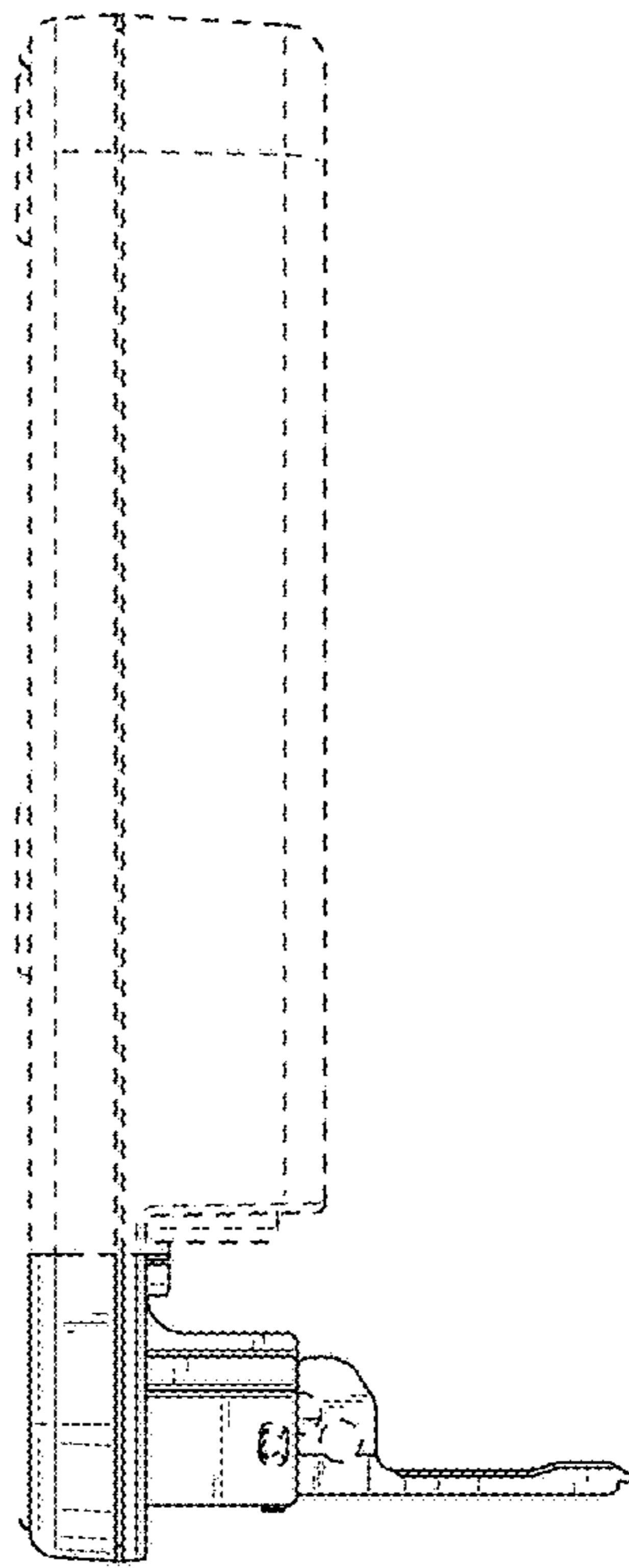


FIG. 5

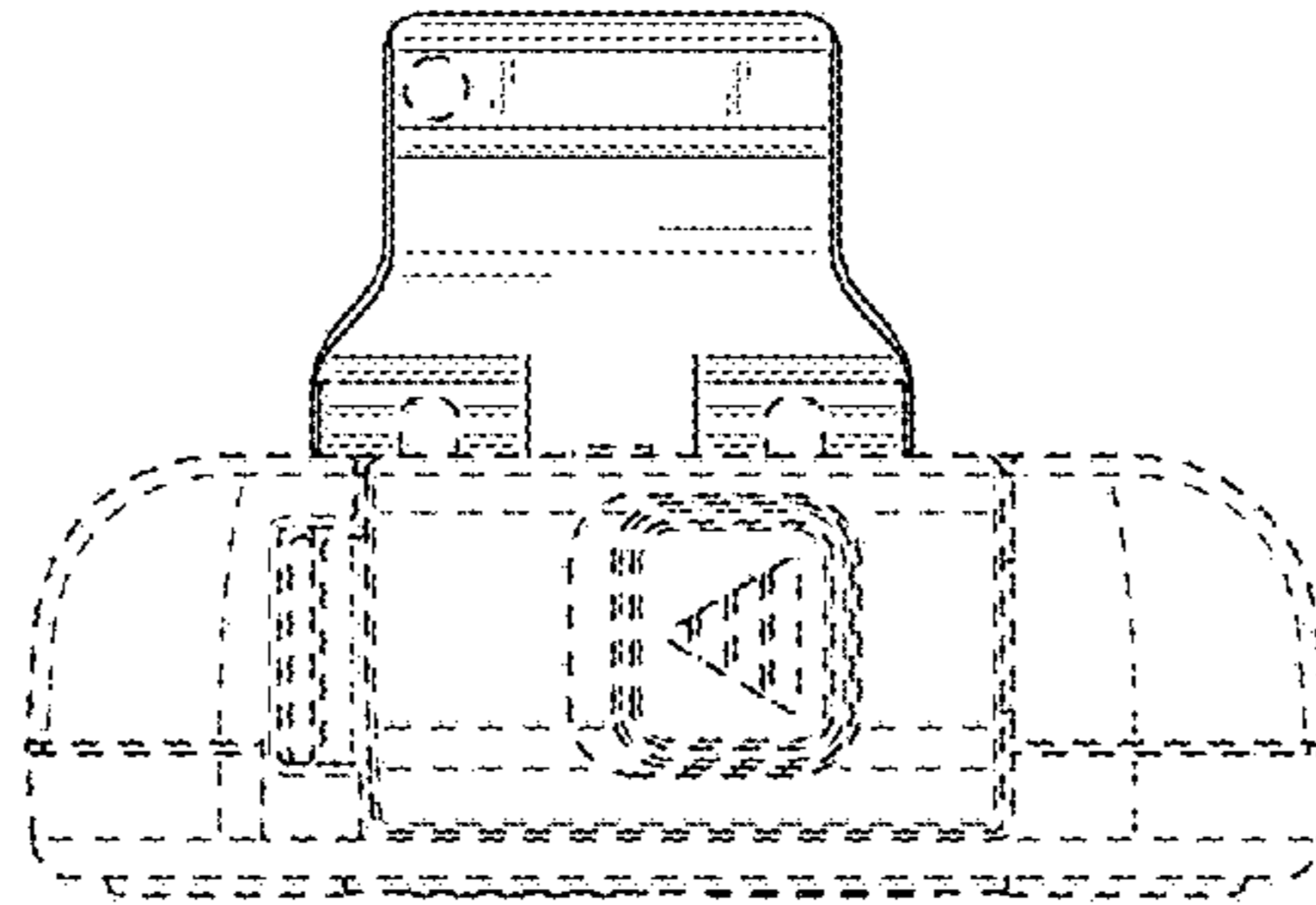


FIG. 6

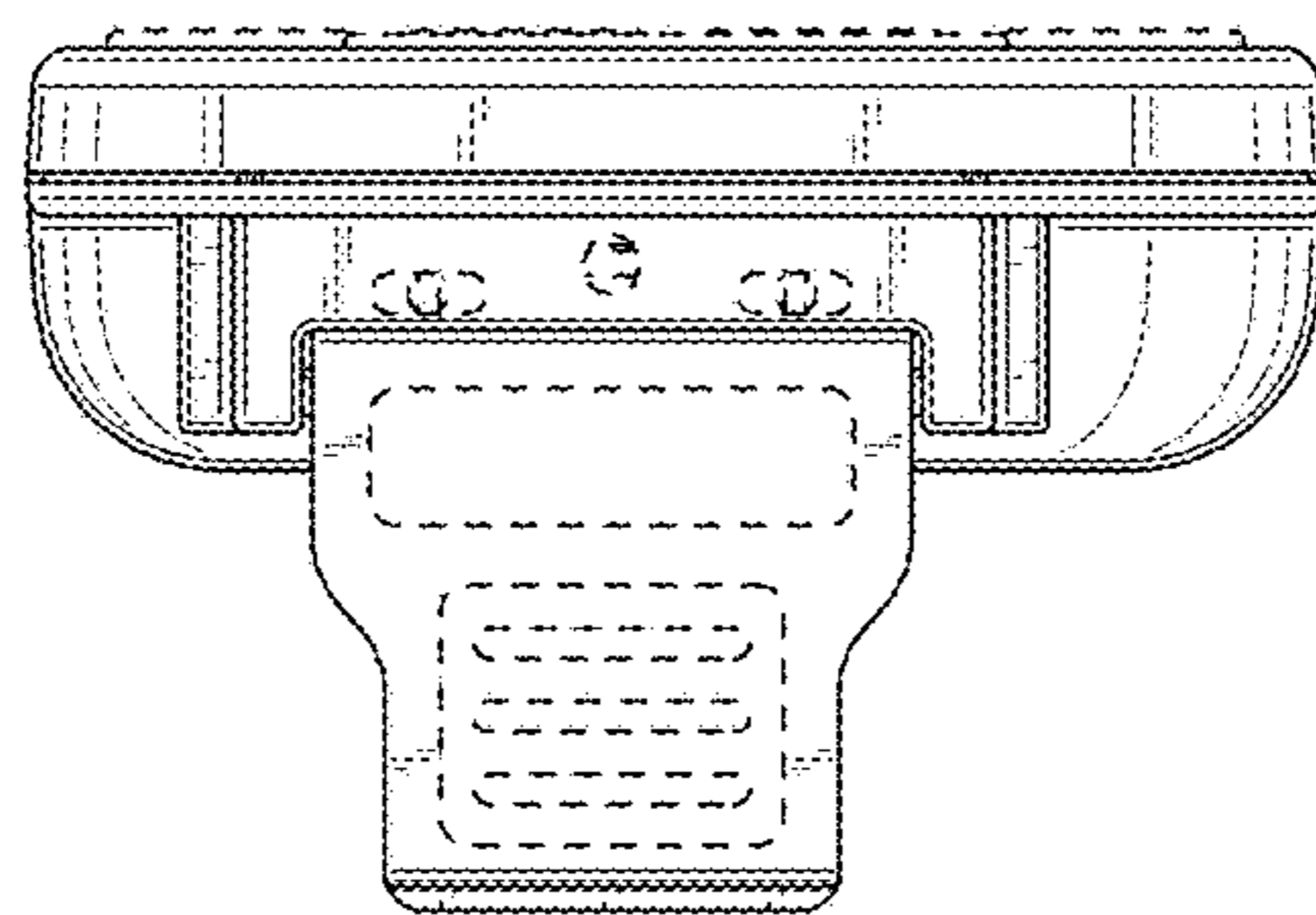


FIG. 7