



US00D807921S

(12) **United States Design Patent**
Grzesiak et al.

(10) **Patent No.:** **US D807,921 S**
(45) **Date of Patent:** **** Jan. 16, 2018**

(54) **FUEL HEATER BLOCK**

(71) Applicants: **Jaroslav Grzesiak**, Glen Ellyn, IL (US); **Igor Pudliszak**, Chicago, IL (US)

(72) Inventors: **Jaroslav Grzesiak**, Glen Ellyn, IL (US); **Igor Pudliszak**, Chicago, IL (US)

(**) Term: **14 Years**

(21) Appl. No.: **29/519,446**

(22) Filed: **Mar. 5, 2015**

(51) **LOC (11) Cl.** **15-01**

(52) **U.S. Cl.**
USPC **D15/5**

(58) **Field of Classification Search**

USPC D15/5; D23/322, 324
CPC B01D 35/06; B01D 46/4263; B01D 35/18;

F02M 31/125; F02M 21/0221; F02M 21/0287; F02M 21/0215; F02M 37/223;

(Continued)

(56) **References Cited**

U.S. PATENT DOCUMENTS

4,286,564 A * 9/1981 Van Tuyl F02M 31/10
123/545

4,372,260 A * 2/1983 Baker B01D 35/18
123/142.5 E

(Continued)

Primary Examiner — T. Chase Nelson

Assistant Examiner — Ania Aman

(74) *Attorney, Agent, or Firm* — Bishop Diehl & Lee, Ltd.

(57) **CLAIM**

The ornamental design for the fuel heater block, as shown and described.

DESCRIPTION

FIG. 1 is an elevated isometric view of a first embodiment of a fuel heater block showing the new design;

FIG. 2 is a top view of the fuel heater block as shown in FIG. 1;

FIG. 3 is a bottom view of the fuel heater block as shown in FIG. 1;

FIG. 4 is a front view of the fuel heater block shown in FIG. 1;

FIG. 5 is a back view of the fuel heater block shown in FIG. 1;

FIG. 6 is a left side view of the fuel heater block shown in FIG. 1;

FIG. 7 is a right side view of the fuel heater block shown in FIG. 1;

FIG. 8 is an elevated isometric view of a second embodiment of a fuel heater block showing the new design;

FIG. 9 is a top view of the fuel heater block as shown in FIG. 8;

FIG. 10 is a bottom view of the fuel heater block as shown in FIG. 8;

FIG. 11 is a front view of the fuel heater block shown in FIG. 8;

FIG. 12 is a back view of the fuel heater block shown in FIG. 8;

FIG. 13 is a left side view of the fuel heater block shown in FIG. 8;

FIG. 14 is a right side view of the fuel heater block shown in FIG. 8;

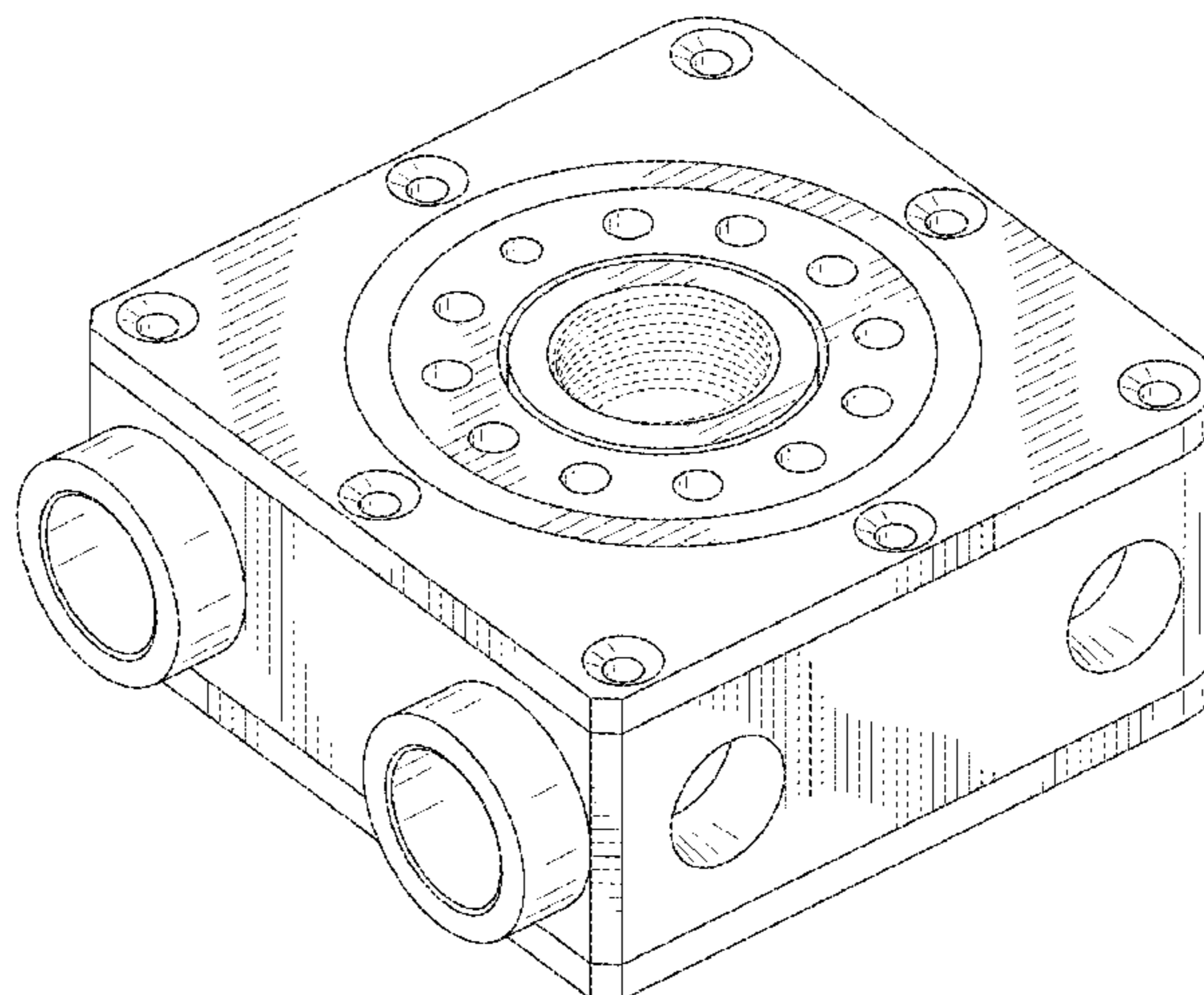
FIG. 15 is a side view of the cylindrical adapter for the fuel heater block embodiment shown in FIG. 1;

FIG. 16 is a side view of the cylindrical adapter for the fuel heater block embodiment shown in FIG. 8; and,

FIG. 17 is an exploded view of the fuel heater block showing the embodiment depicted in FIGS. 1 through 7 and FIG. 15, it being understood that an exploded view of the second embodiment of the fuel heater block would be identical excepting the differences seen in the second embodiment in FIGS. 8 through 14 and FIG. 16.

In the drawings, the broken lines depict unclaimed subject matter only and form no part of the claimed design.

1 Claim, 12 Drawing Sheets



(58) **Field of Classification Search**

CPC F02M 37/227; F02M 21/06; F02M 31/16;
F02M 53/04; F02M 31/02; F02M 31/135;
F02M 53/02; H01C 1/1406; H01C 7/027
See application file for complete search history.

(56) **References Cited**

U.S. PATENT DOCUMENTS

4,406,785 A * 9/1983 Siefer B01D 35/18
123/557
4,571,481 A * 2/1986 Leary F02M 31/125
123/549
4,612,897 A * 9/1986 Davis F02M 31/16
123/514
4,818,842 A * 4/1989 Walty F02M 31/125
123/549
4,861,966 A * 8/1989 Matthiesen B01D 35/06
123/549
7,607,426 B2 * 10/2009 Deng F23Q 9/045
126/116 A
9,022,064 B2 * 5/2015 Deng F23C 1/00
126/116 A
9,739,389 B2 * 8/2017 Deng F16K 19/00
2015/0322893 A1 * 11/2015 Milton F02M 21/0221
55/385.3
2016/0161146 A1 * 6/2016 Deng F24H 3/006
431/285

* cited by examiner

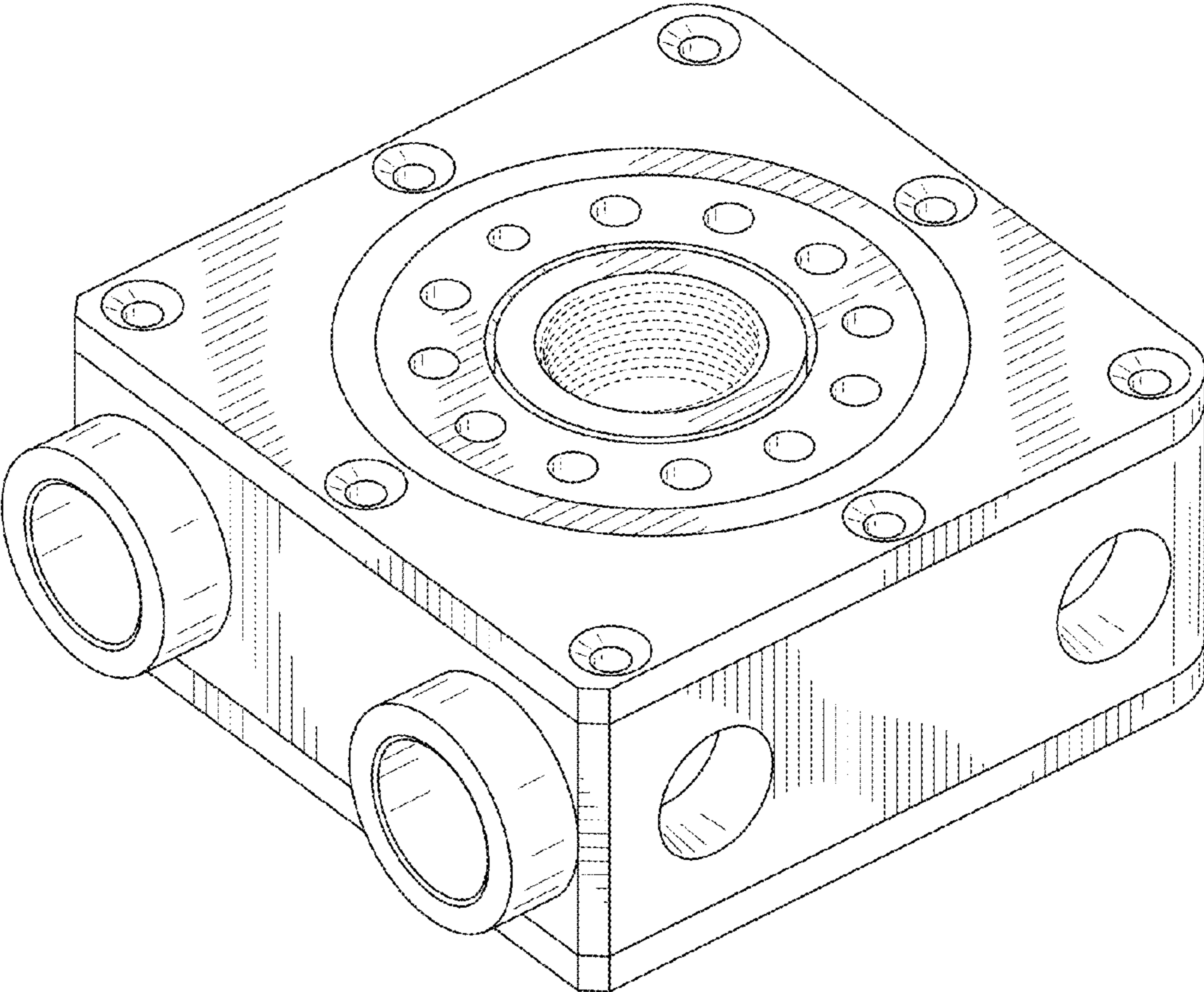


FIG. 1

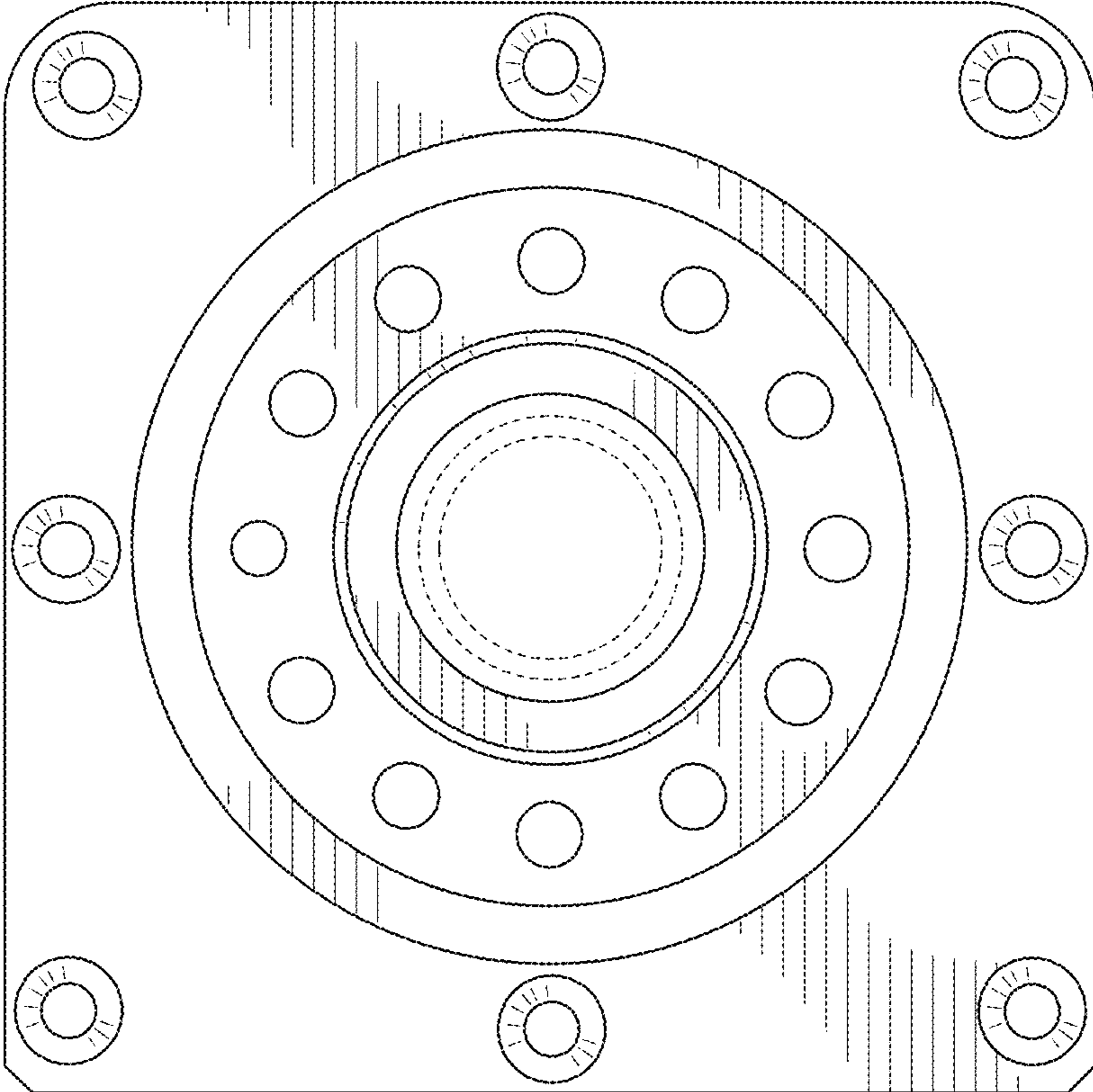


FIG. 2

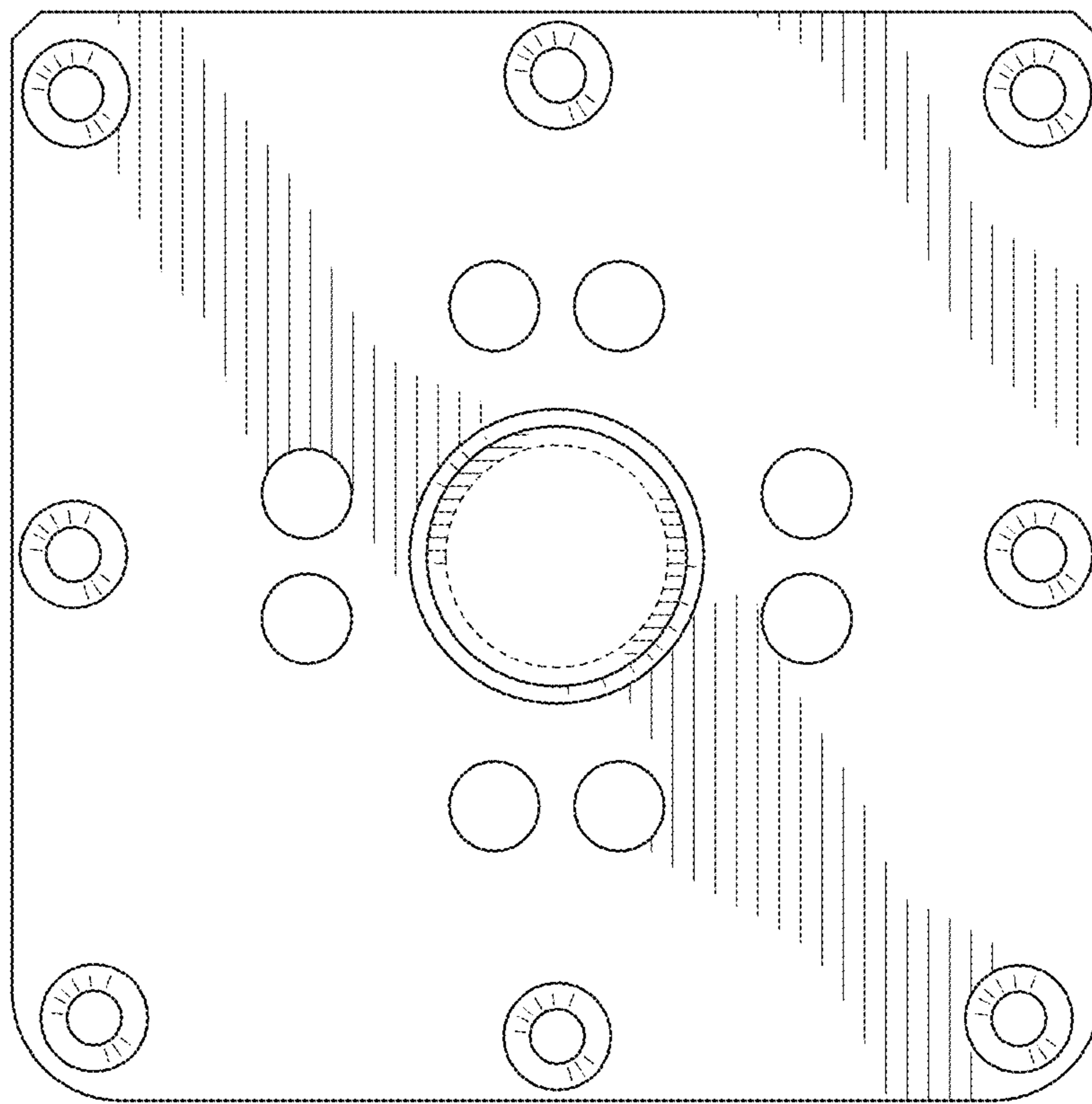


FIG. 3

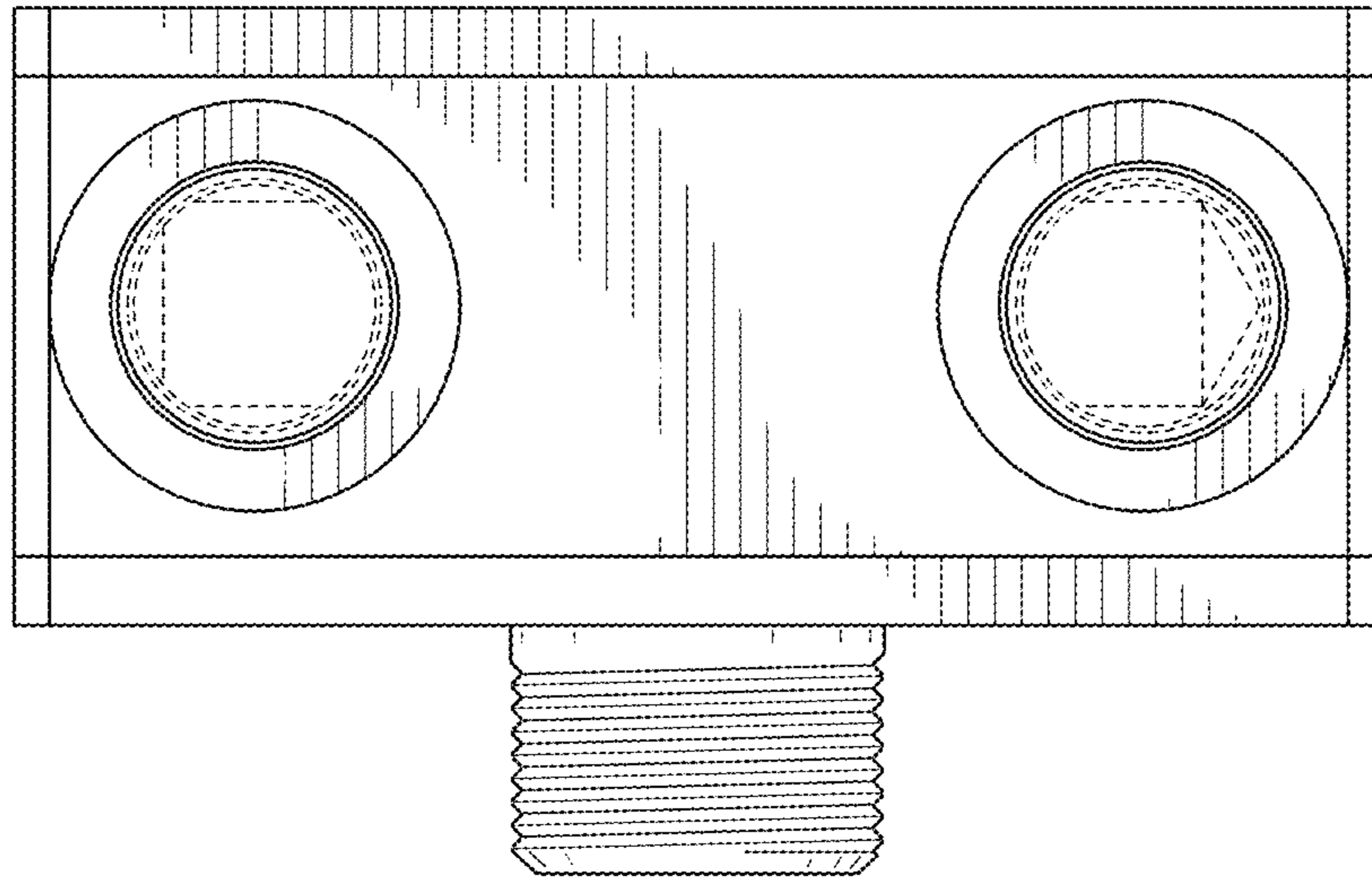


FIG. 4

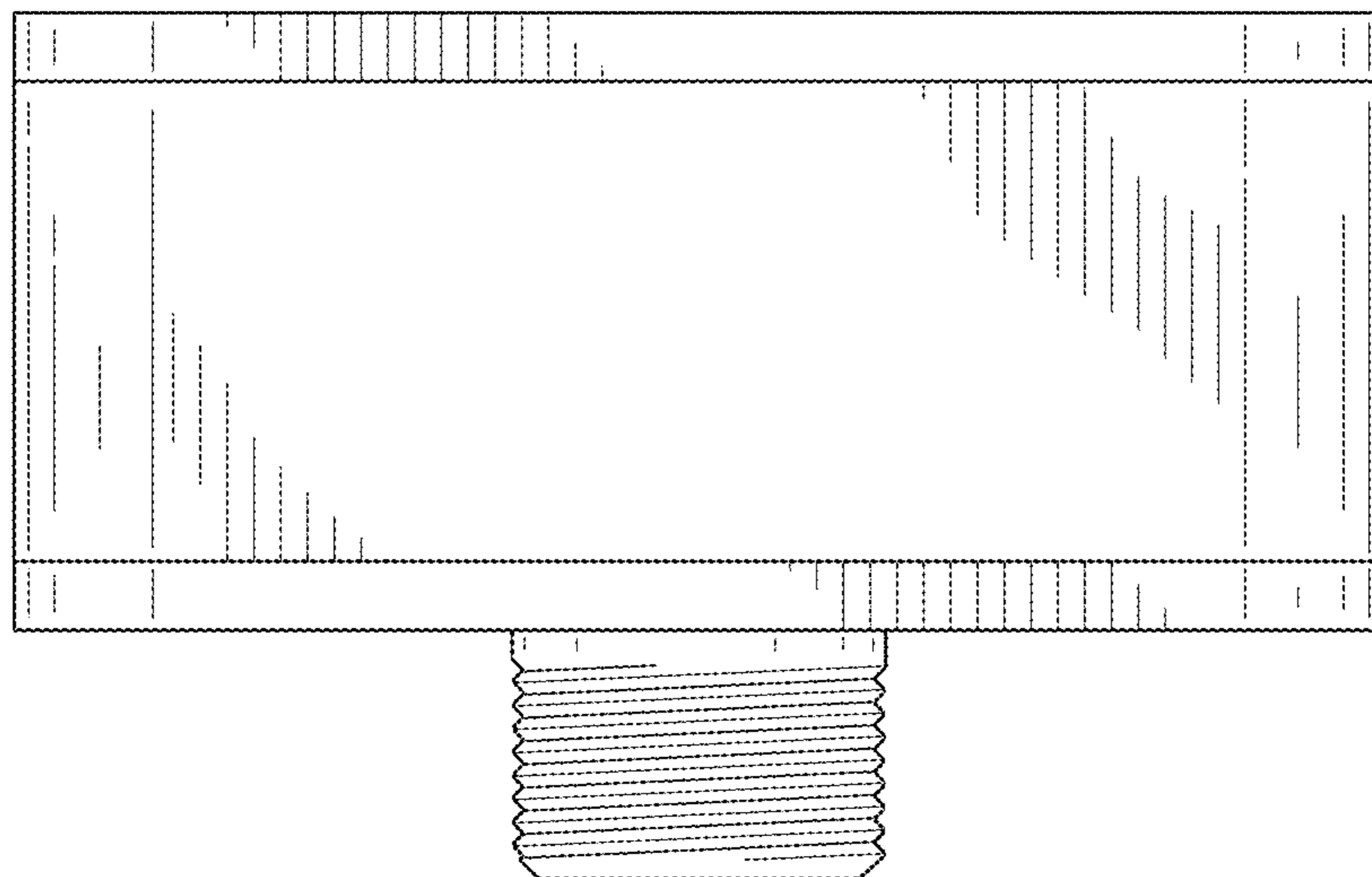


FIG. 5

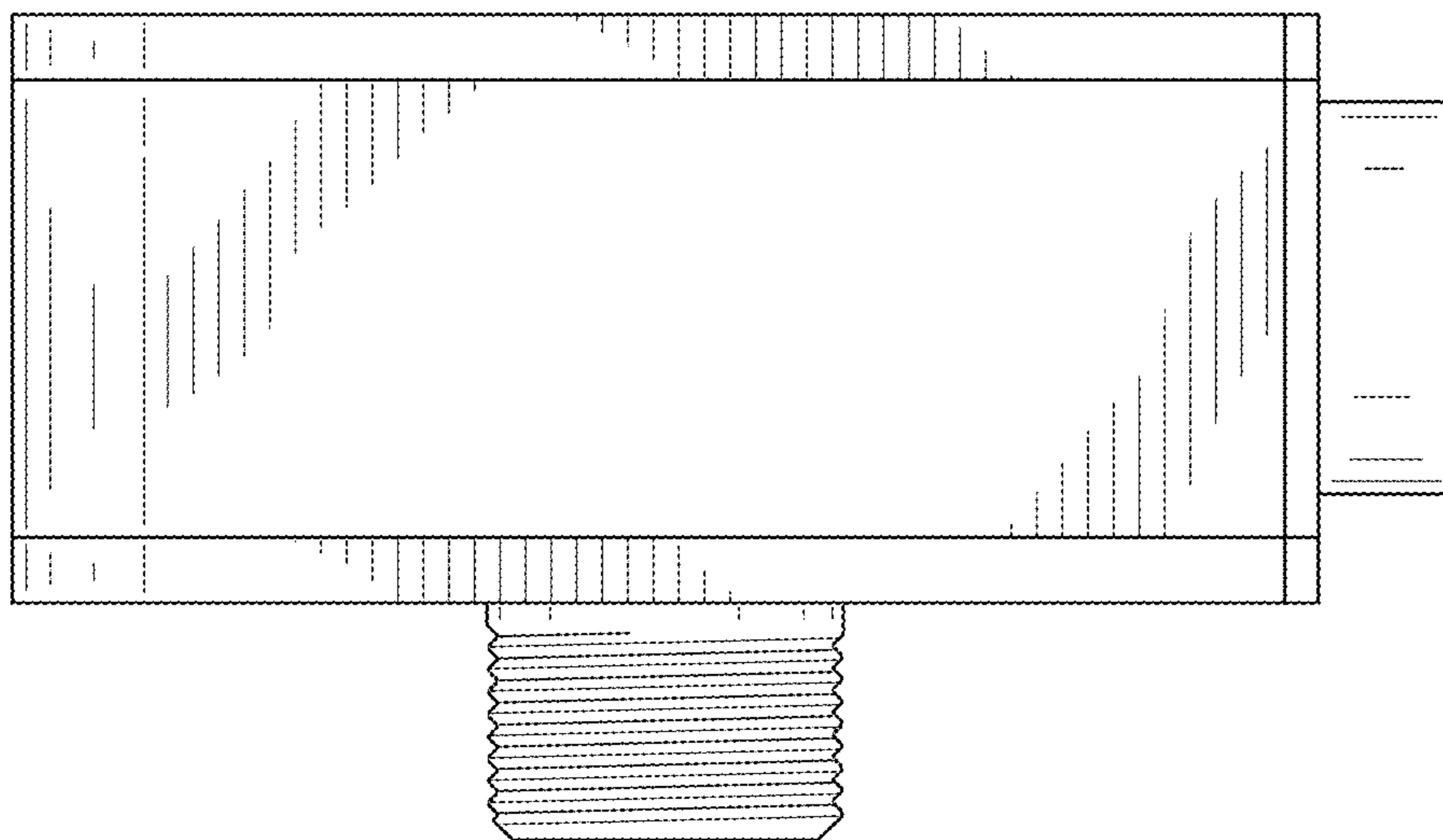


FIG. 6

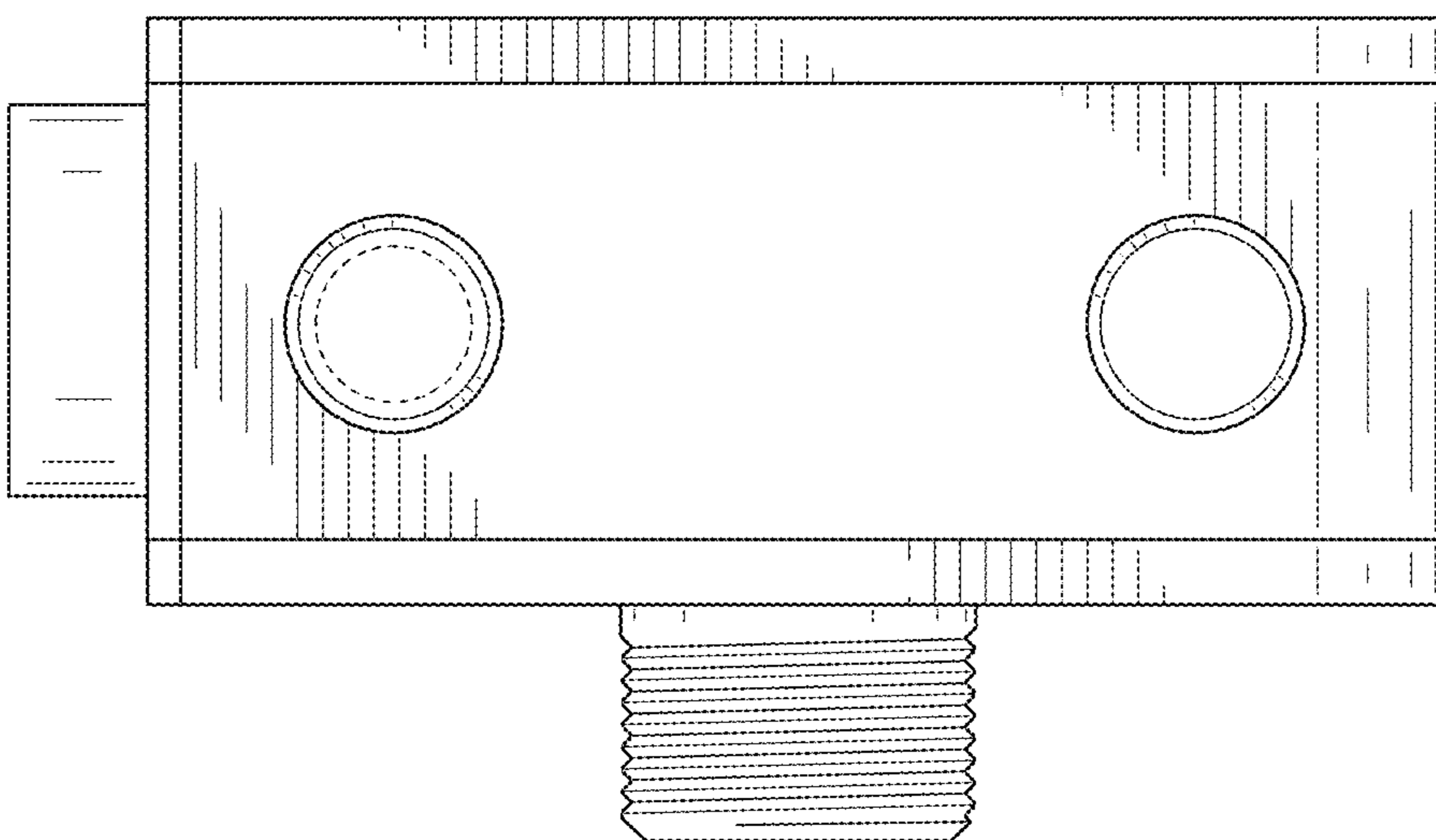


FIG. 7

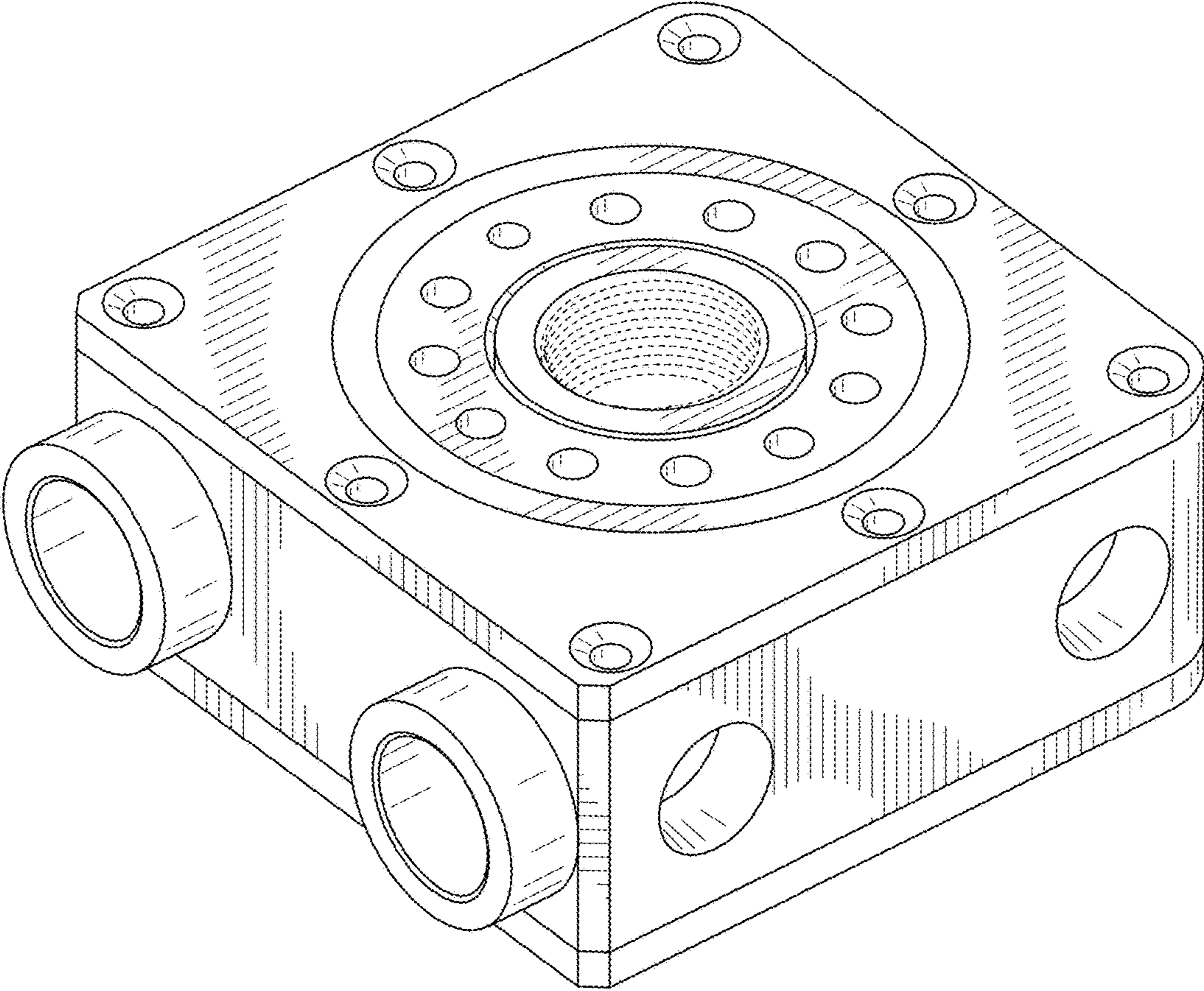


FIG. 8

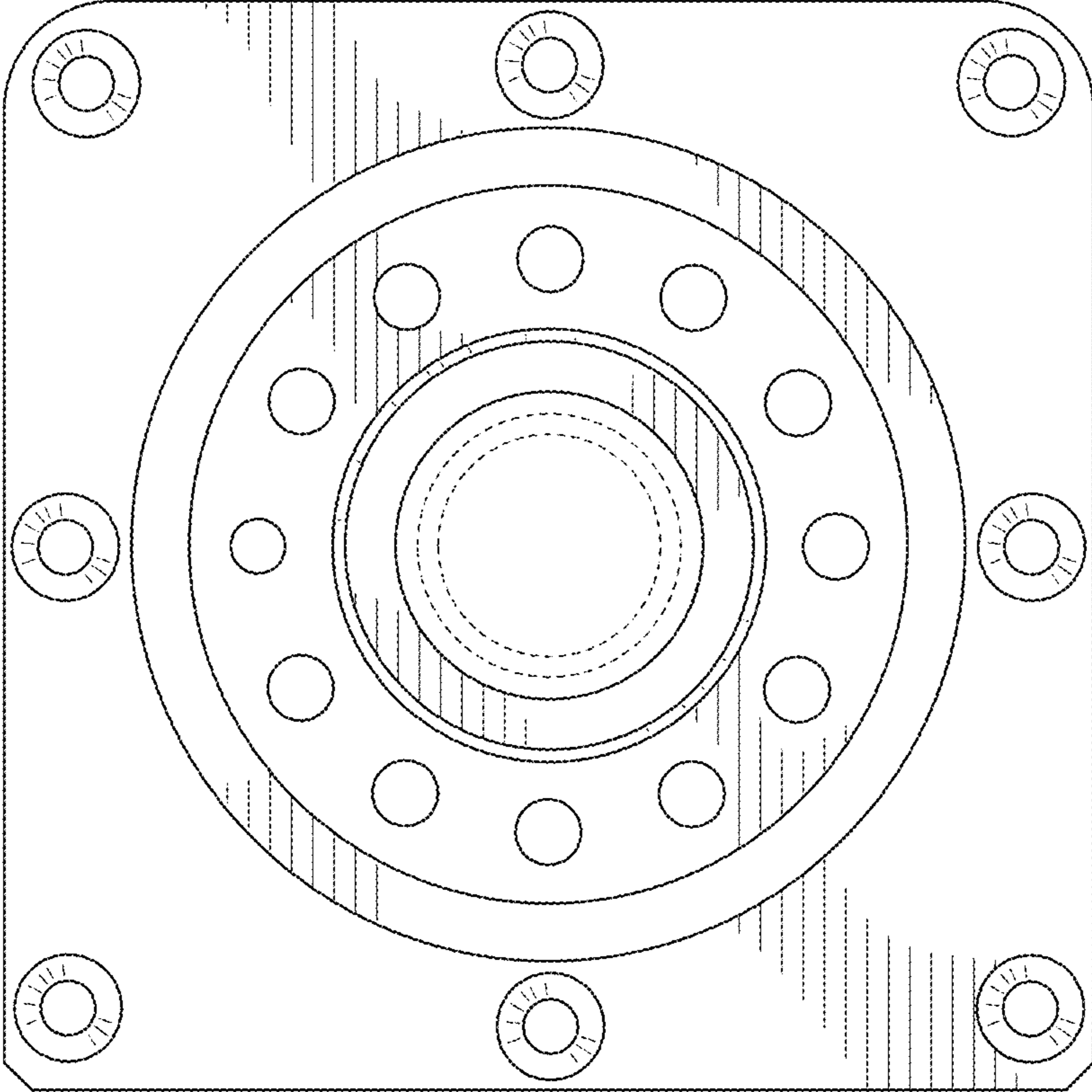


FIG. 9

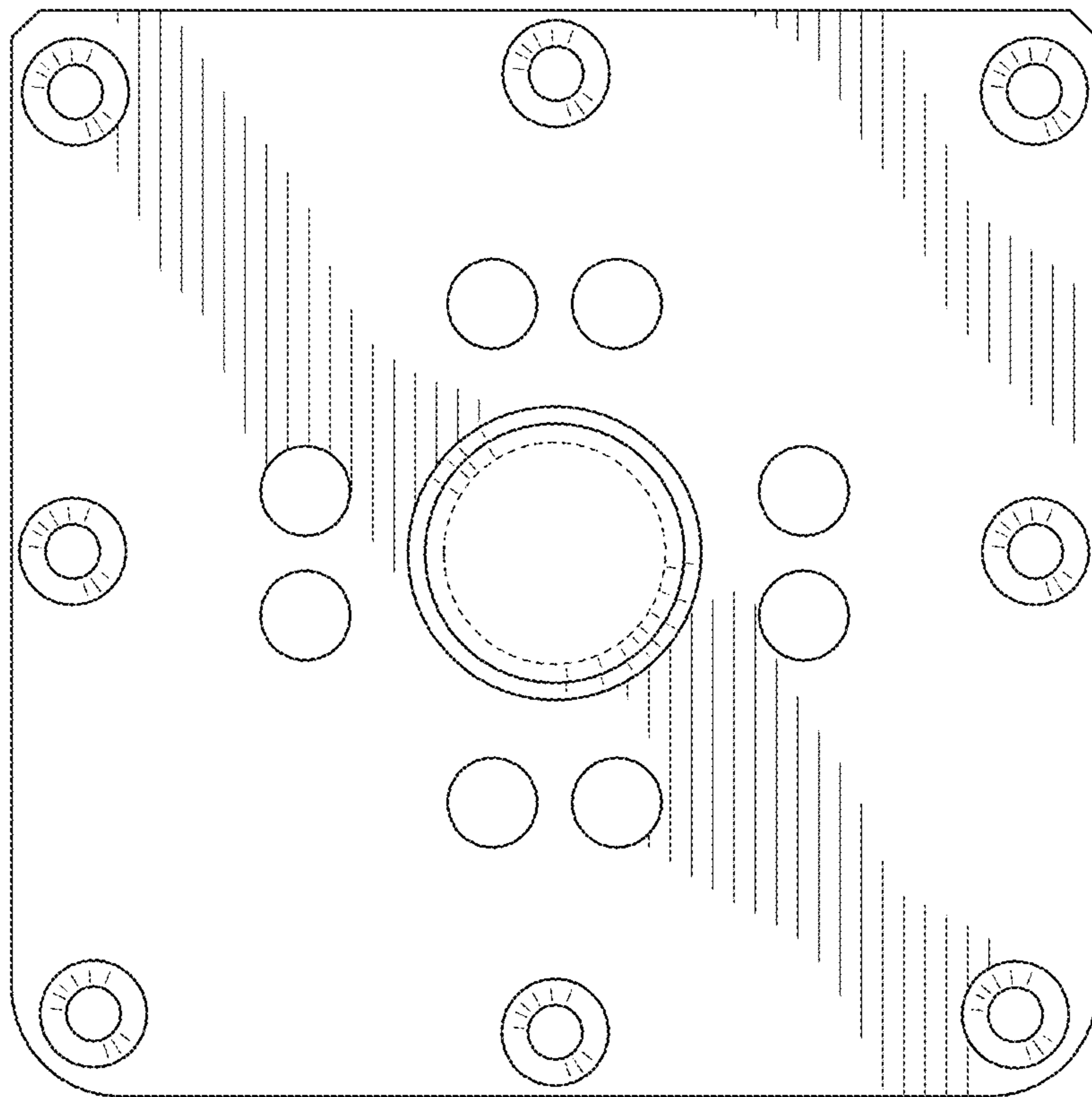


FIG. 10

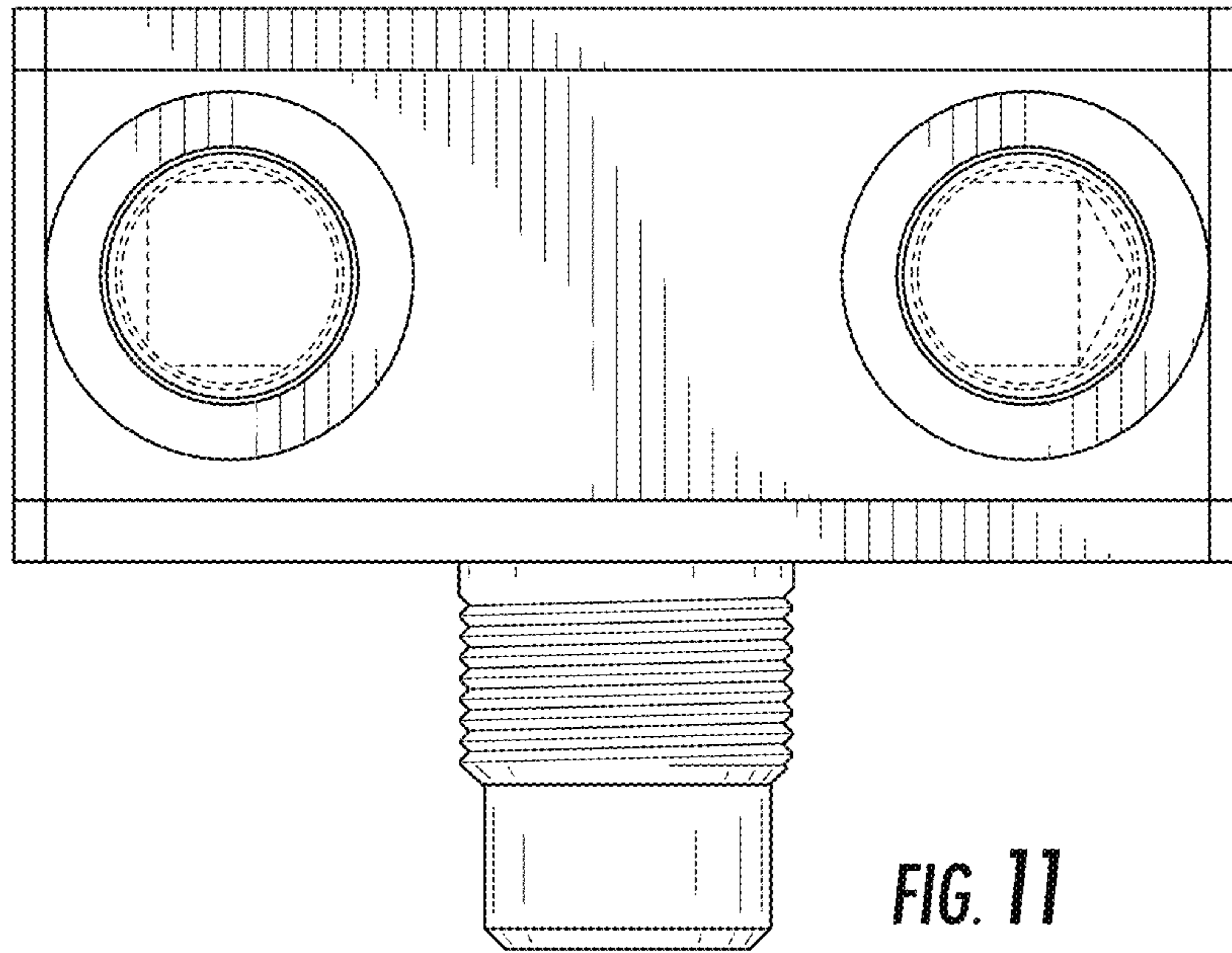


FIG. 11

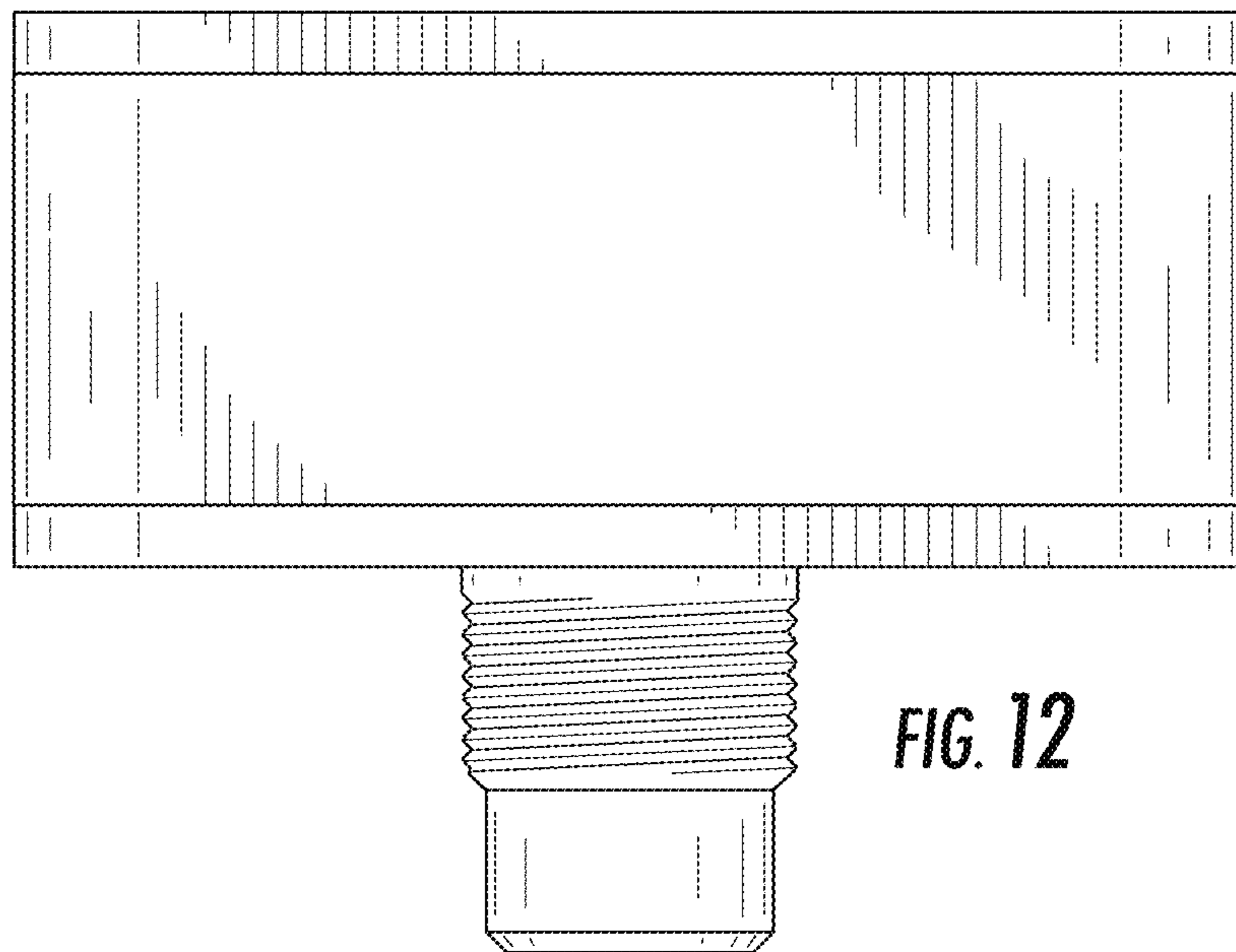
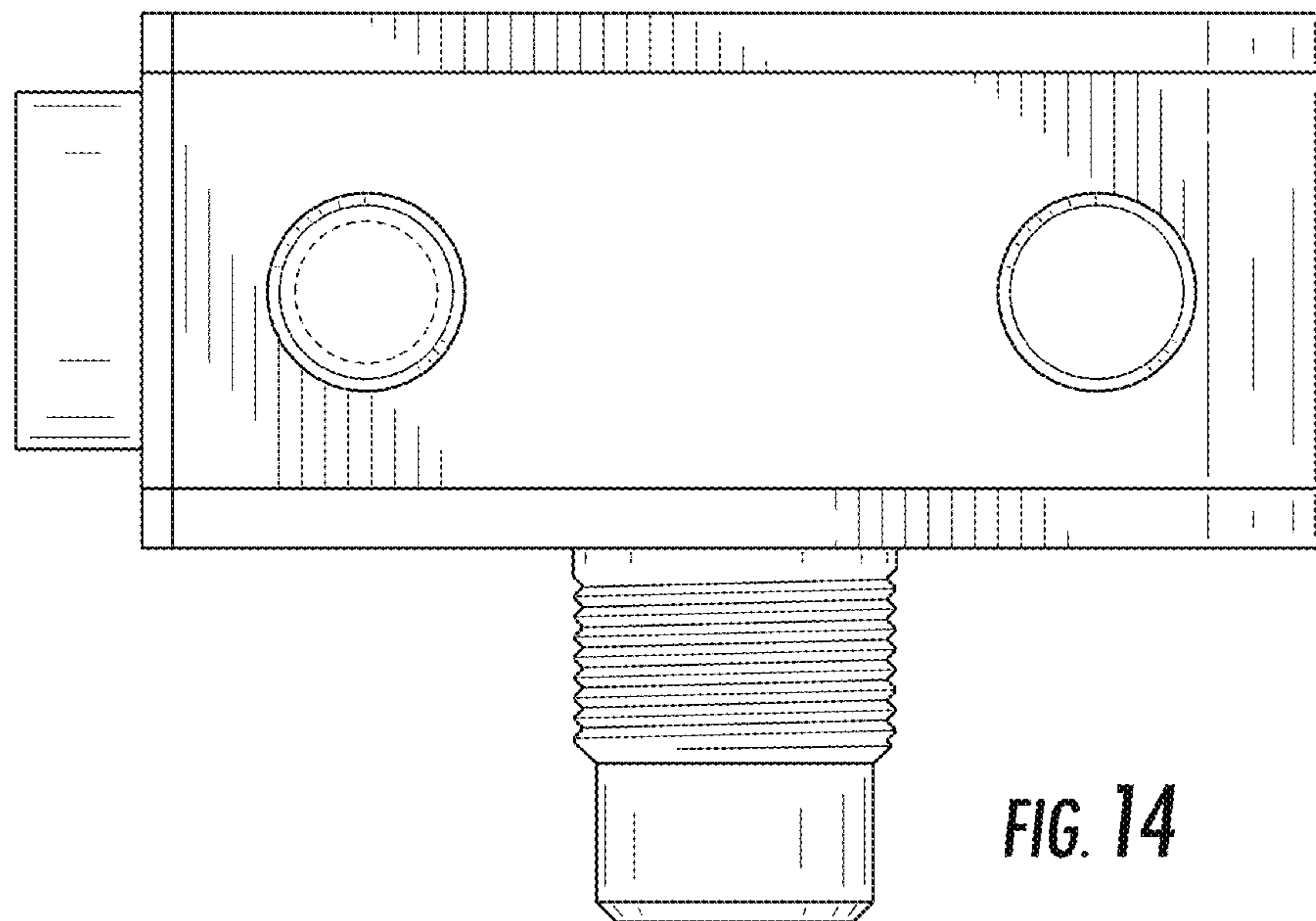
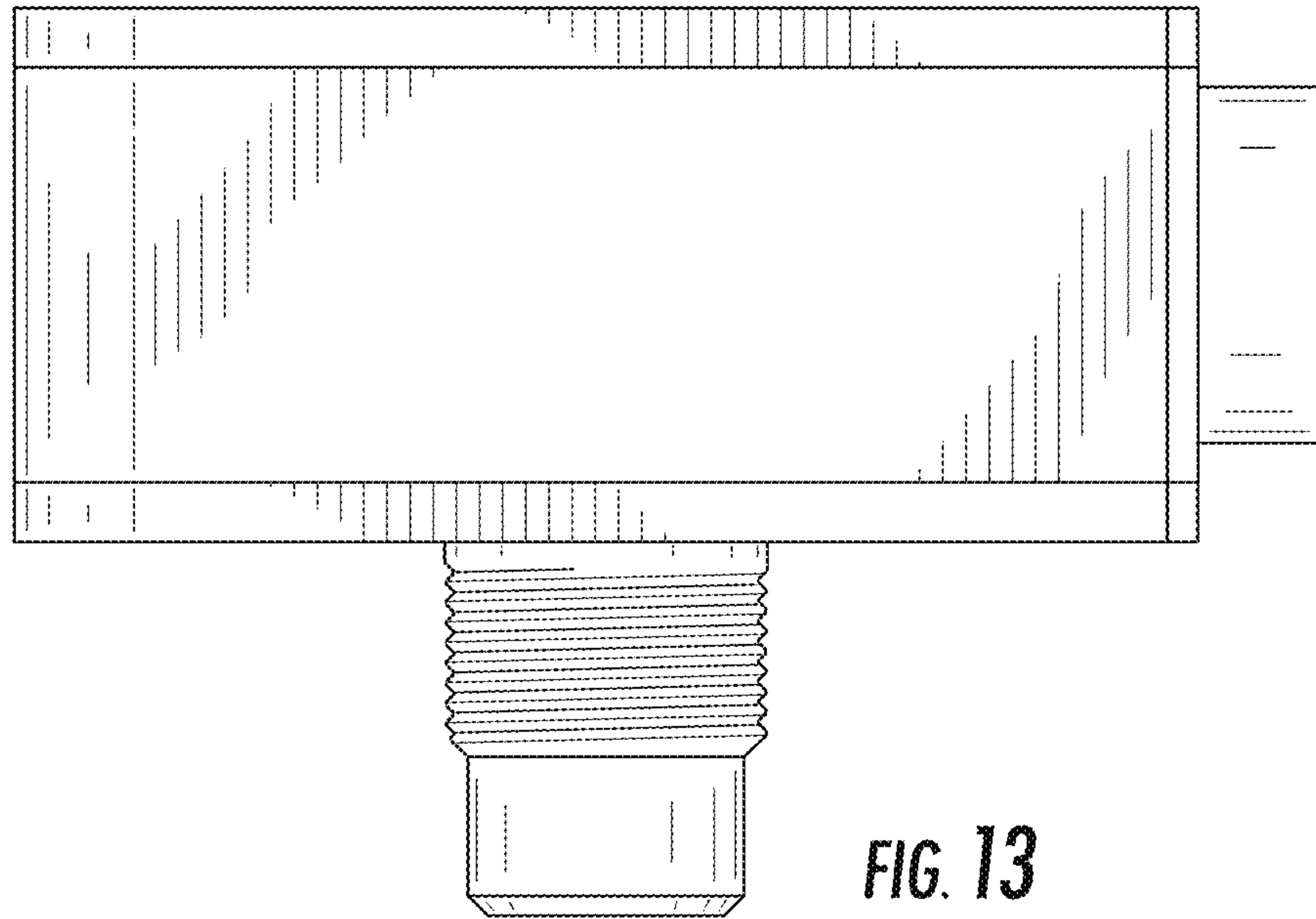


FIG. 12



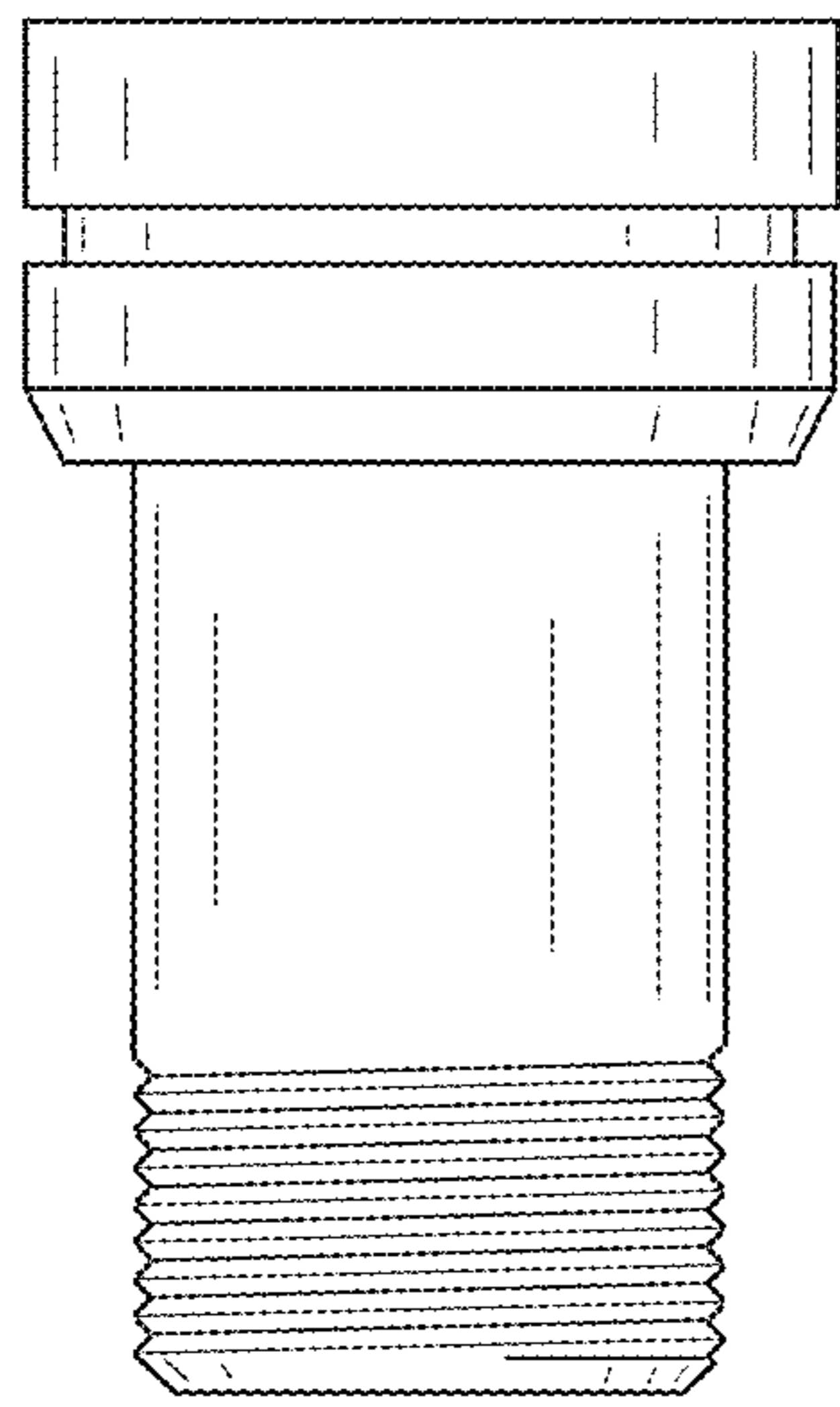


FIG. 15

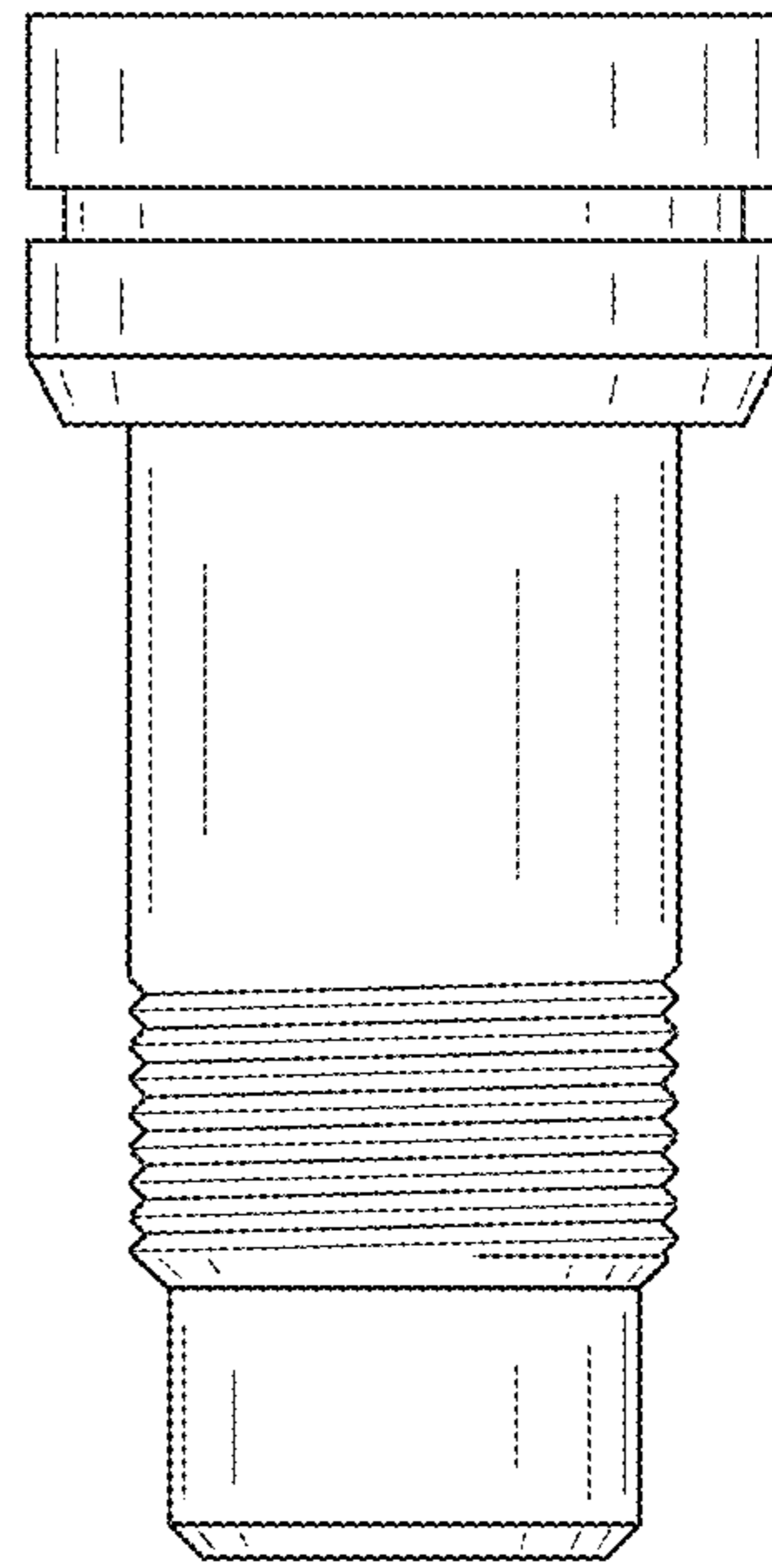


FIG. 16

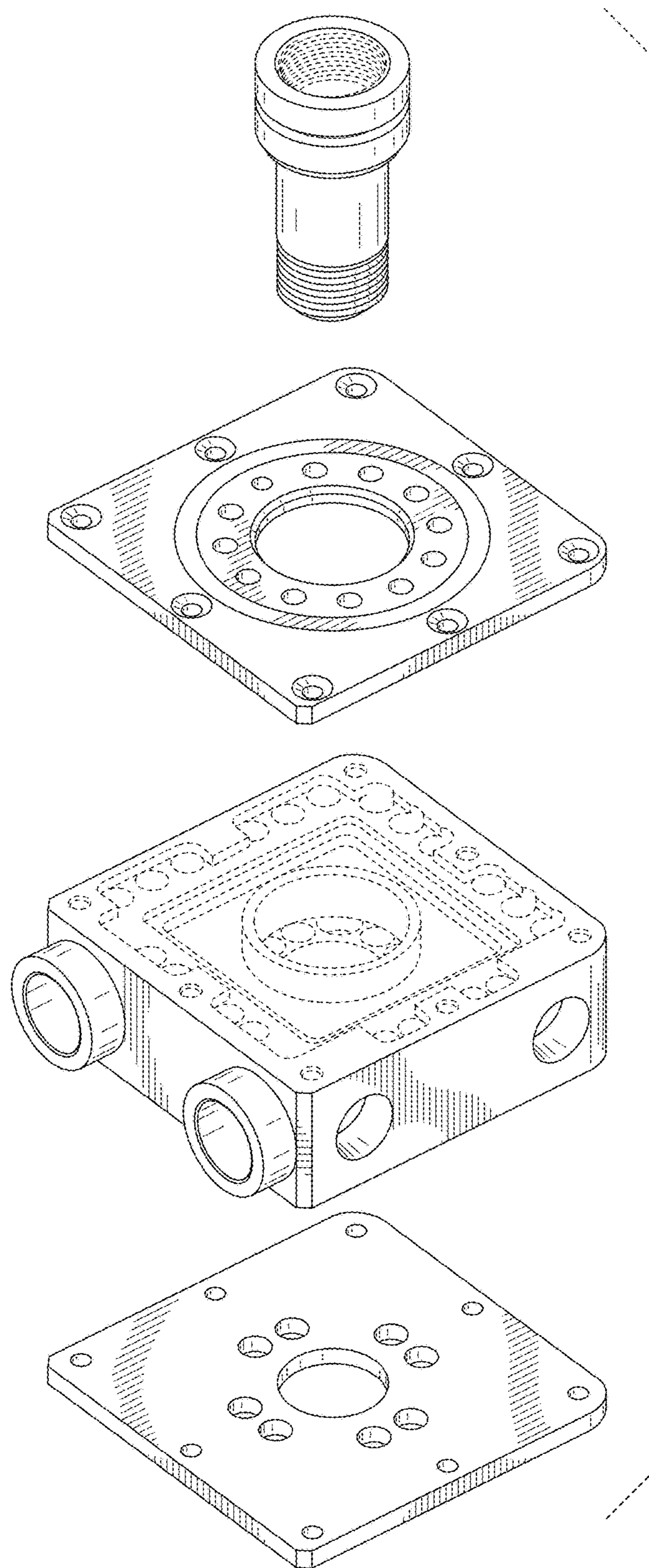


FIG. 17