



US00D807920S

(12) **United States Design Patent**
Vaninetti

(10) **Patent No.:** **US D807,920 S**
(45) **Date of Patent:** **** Jan. 16, 2018**

- (54) **TILLER GRIP**
- (71) Applicant: **Brunswick Corporation**, Lake Forest, IL (US)
- (72) Inventor: **Travis J. Vaninetti**, Neenah, WI (US)
- (73) Assignee: **Brunswick Corporation**, Mettawa, IL (US)
- (**) Term: **15 Years**
- (21) Appl. No.: **29/608,747**
- (22) Filed: **Jun. 26, 2017**

- 4,878,468 A 11/1989 Boda et al.
- 5,340,342 A 8/1994 Boda et al.
- 5,632,657 A 5/1997 Henderson
- D380,478 S 7/1997 Robbins
- 6,010,563 A 2/2000 Risk, Jr.
- 6,093,066 A 7/2000 Isogawa
- 6,146,221 A 11/2000 Natsume
- 6,264,516 B1 7/2001 McEathron et al.
- 6,406,342 B1 6/2002 Walczak et al.
- 6,902,450 B2 6/2005 Ohtsuki
- 7,090,551 B1 8/2006 Lokken et al.
- D527,737 S 9/2006 Iekura
- 7,214,113 B2 5/2007 Kojima
- D552,129 S 10/2007 Steinberg
- 7,455,558 B2 11/2008 Yander
- D611,501 S 3/2010 Vignau et al.

(Continued)

Related U.S. Application Data

- (62) Division of application No. 29/575,032, filed on Aug. 22, 2016, now Pat. No. Des. 794,078.
- (51) **LOC (11) Cl.** **15-01**
- (52) **U.S. Cl.**
USPC **D15/4**
- (58) **Field of Classification Search**
USPC D15/4, 5; 114/114 R, 146; 74/480 B,
74/483 R, 491, 492, 481, 523, 543;
D12/317; 440/84, 86, 87, 63, 53
CPC B63H 21/213; B63H 21/00; B63H 21/22;
B63H 20/007; B63H 20/00; B63H 20/10;
B63H 20/12; B63H 25/42
See application file for complete search history.

References Cited

U.S. PATENT DOCUMENTS

- 3,636,911 A 1/1972 Piazza
- D276,811 S 12/1984 Wolfe
- 4,496,326 A 1/1985 Boda
- 4,521,201 A 6/1985 Watanabe
- 4,582,493 A 4/1986 Toyohara
- 4,650,429 A 3/1987 Boda
- 4,701,141 A 10/1987 Sumigawa
- D295,867 S 5/1988 Walsh

Primary Examiner — Mark Goodwin

(74) *Attorney, Agent, or Firm* — Andrus Intellectual Property Law, LLP

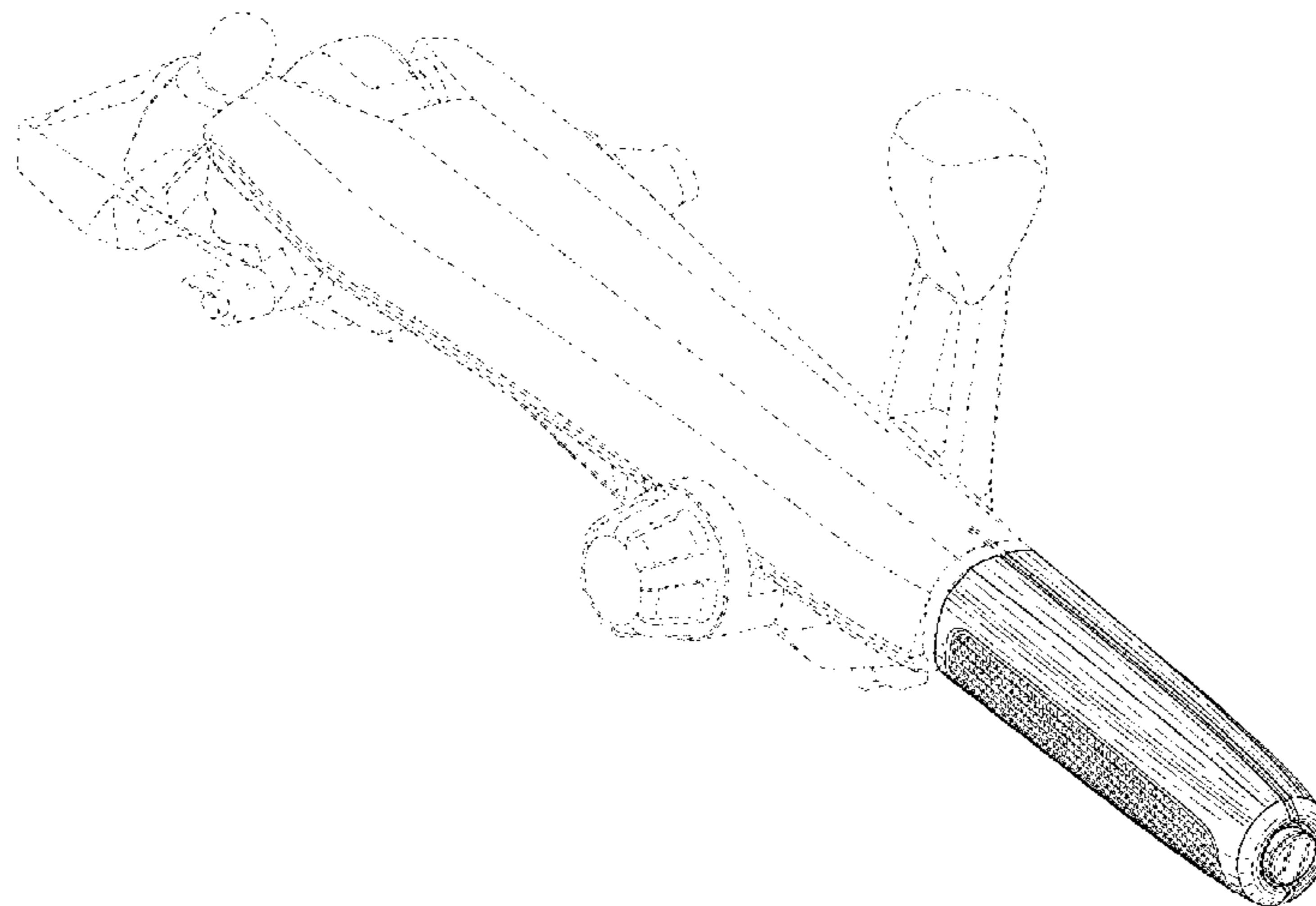
(57) **CLAIM**

The ornamental design for a tiller grip, as shown and described.

DESCRIPTION

FIG. 1 is a perspective view of a tiller grip showing my new design.
 FIG. 2 is a close up perspective view thereof.
 FIG. 3 is a left side view thereof.
 FIG. 4 is a close up left side view thereof.
 FIG. 5 is a right side view thereof.
 FIG. 6 is a front end view thereof.
 FIG. 7 is a rear end view thereof.
 FIG. 8 is a top view thereof.
 FIG. 9 is a close up top view thereof.
 FIG. 10 bottom view thereof; and,
 FIG. 11 is a close up bottom view thereof.
 Portions of the tiller which are shown in broken line are for illustrative purposes only and form no part of the claimed design.

1 Claim, 7 Drawing Sheets



(56)

References Cited

U.S. PATENT DOCUMENTS

D611,502 S	3/2010	Vignau et al.
7,677,938 B2	3/2010	Wiatrowski et al.
7,704,110 B2	4/2010	Wiatrowski et al.
7,895,959 B1	3/2011	Angel et al.
D655,308 S	3/2012	Steinberg
8,257,122 B1	9/2012	Holley
9,422,045 B2	8/2016	Kinpara

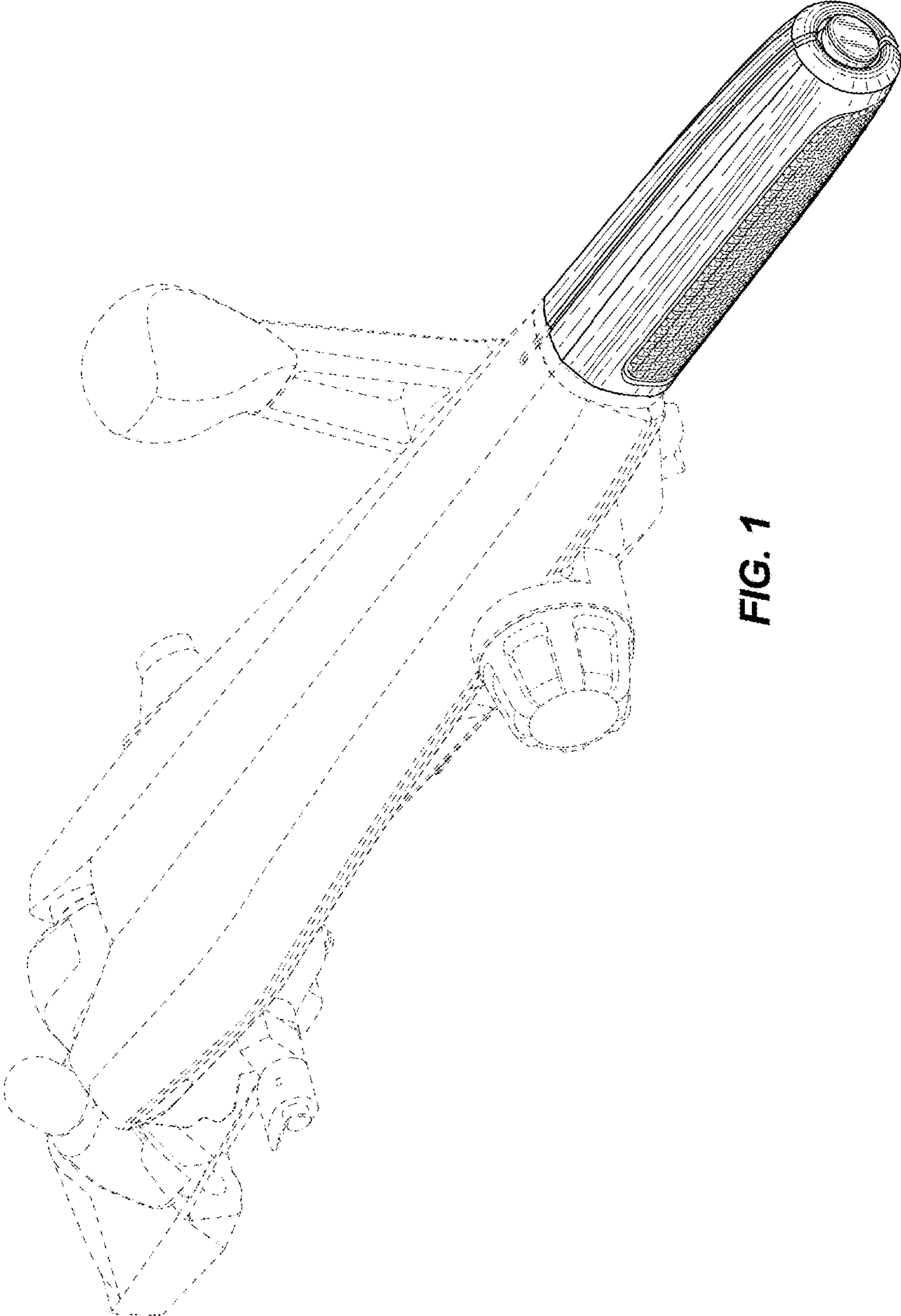


FIG. 1

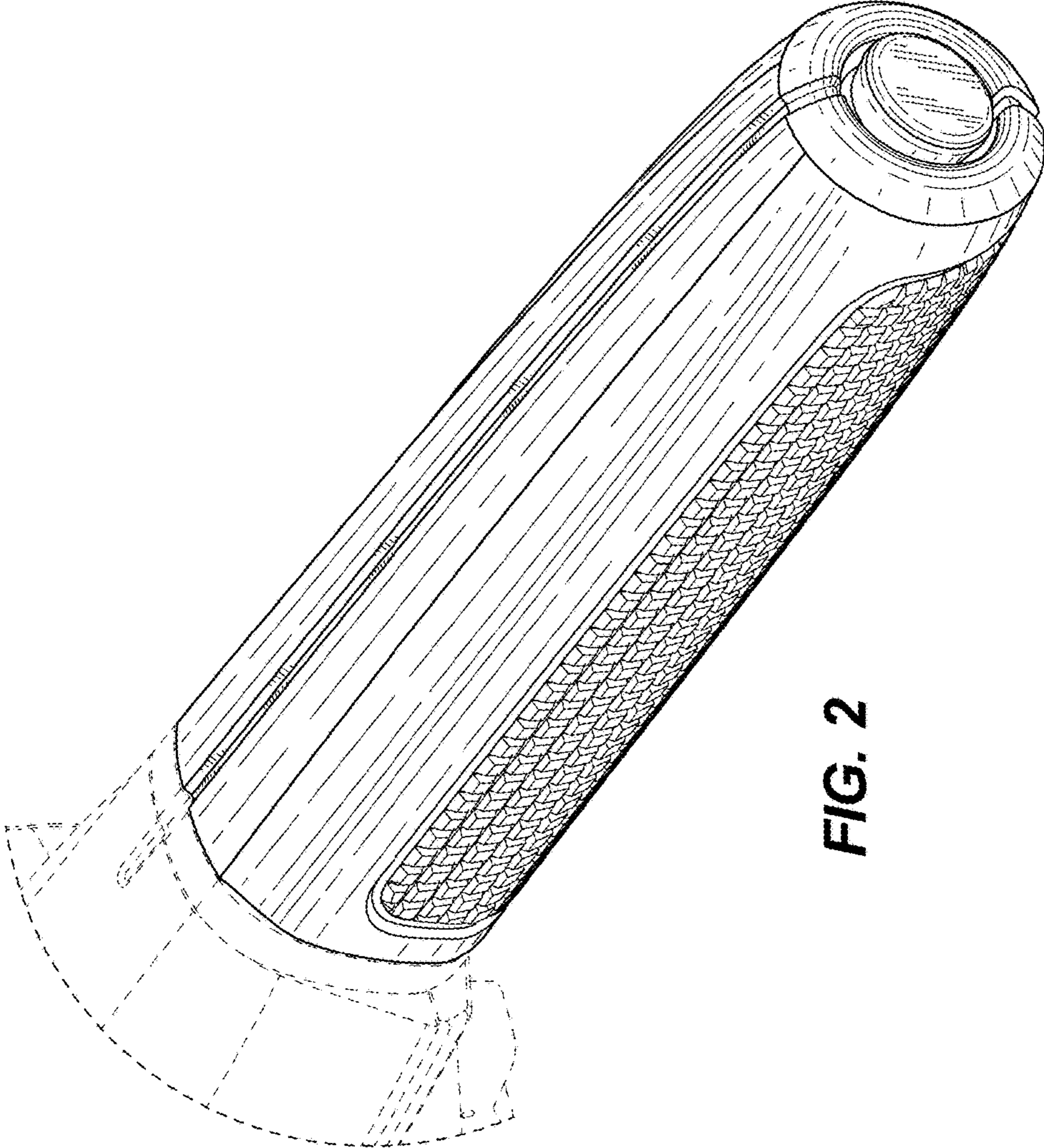


FIG. 2

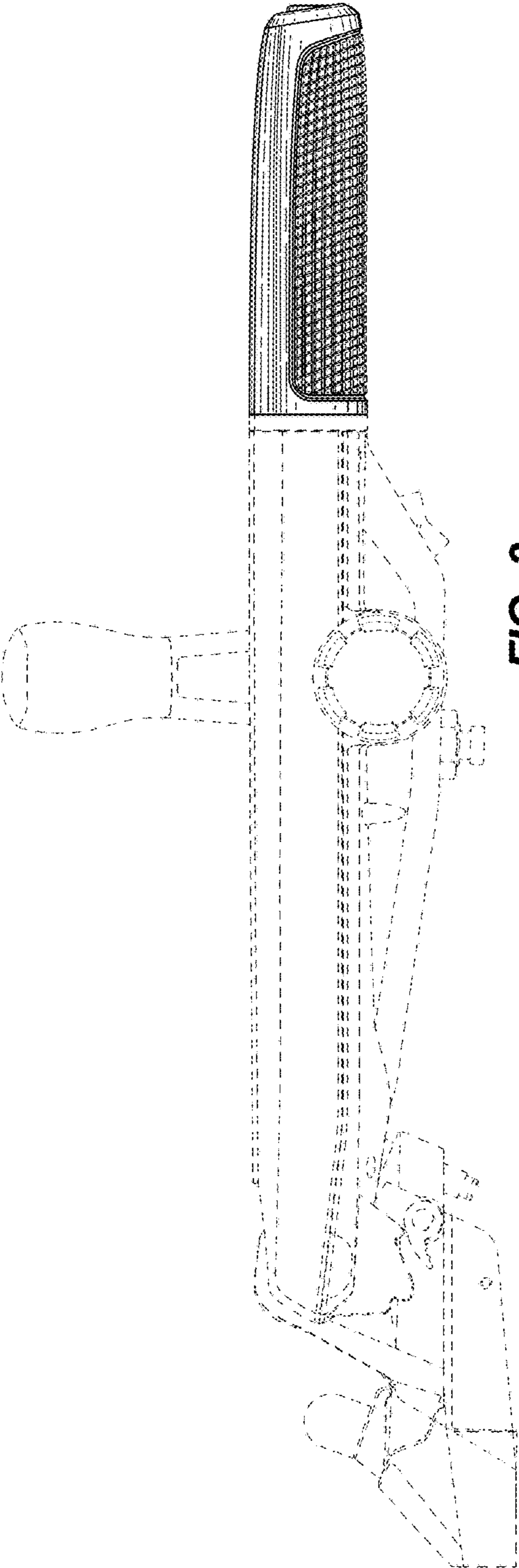


FIG. 3

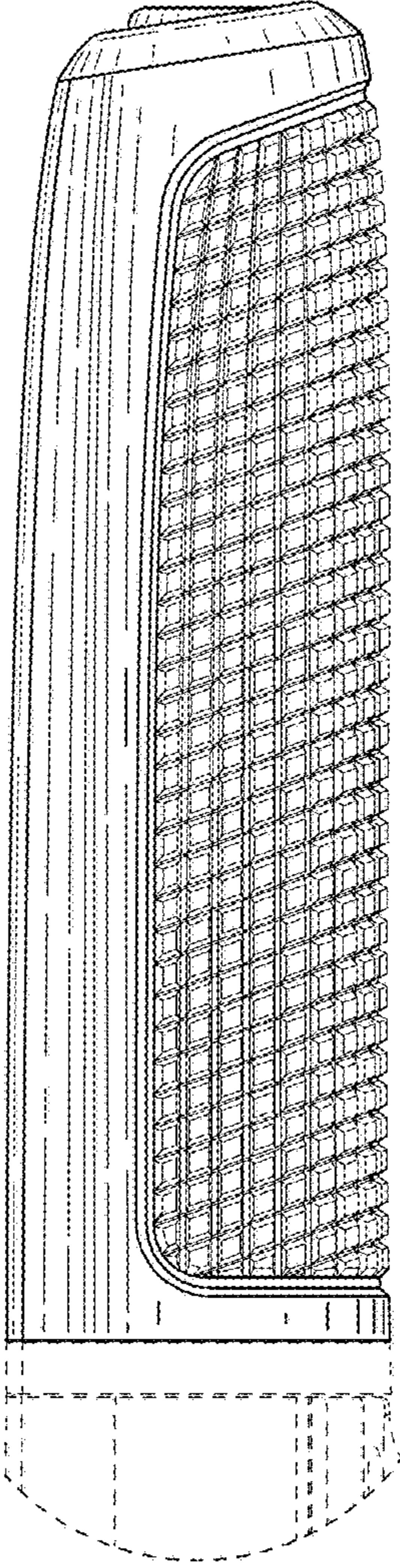


FIG. 4

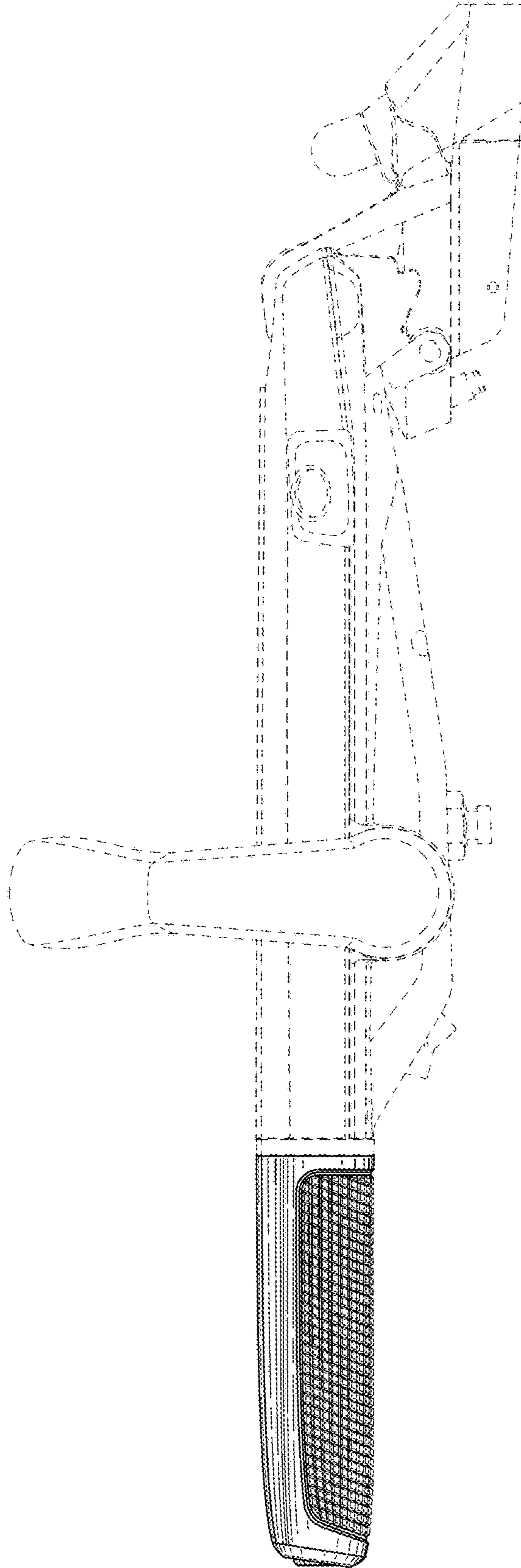


FIG. 5

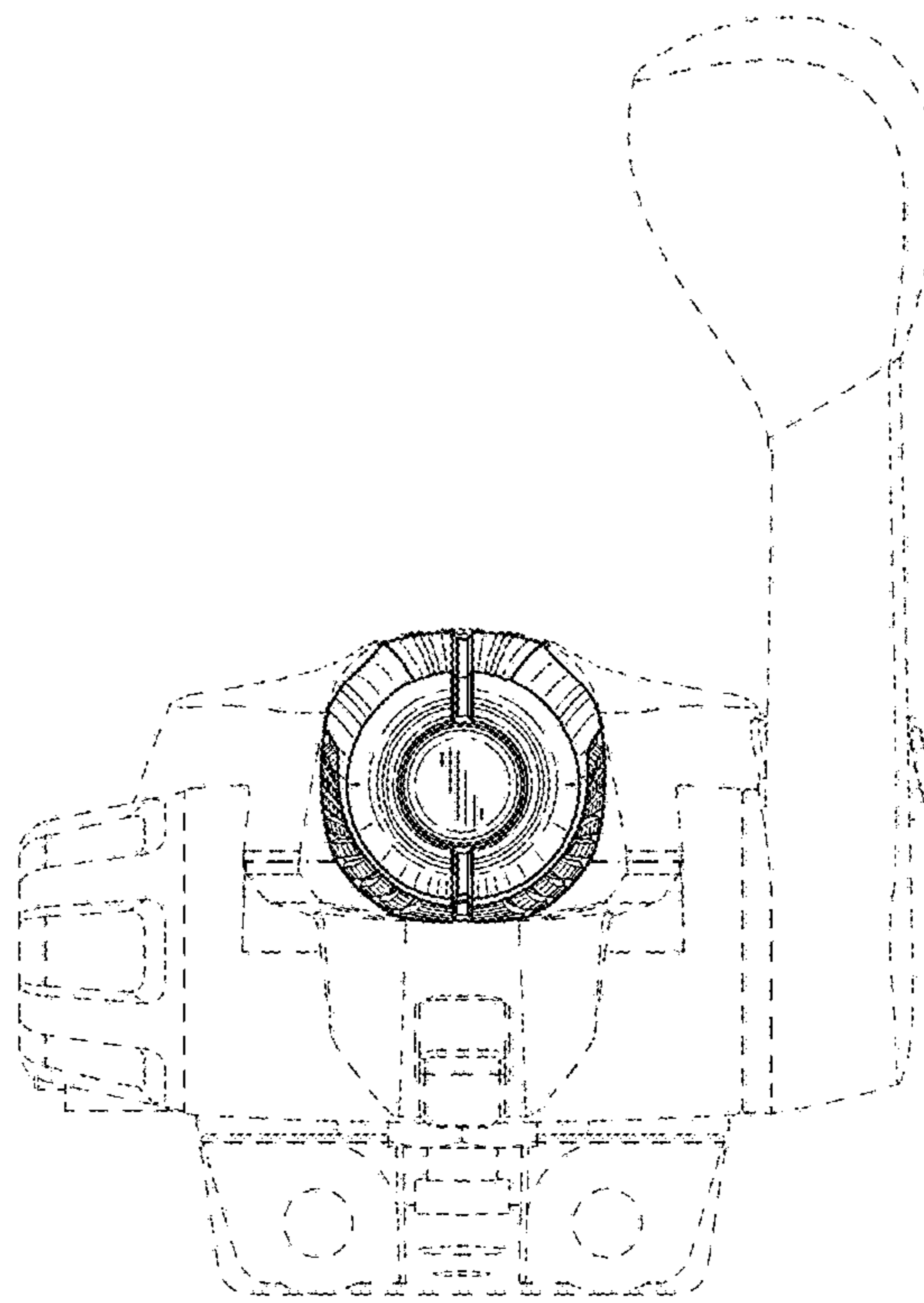


FIG. 6

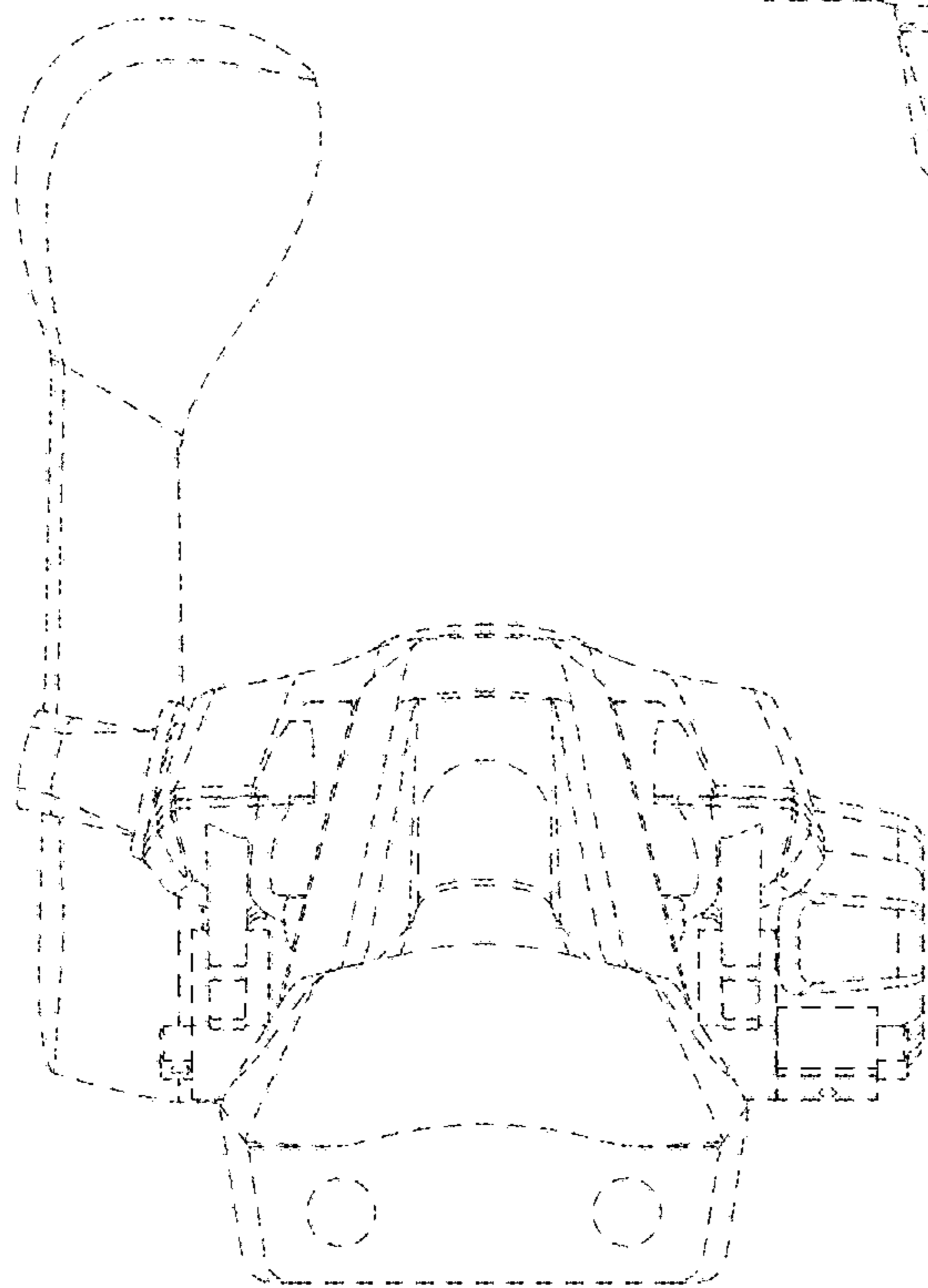


FIG. 7

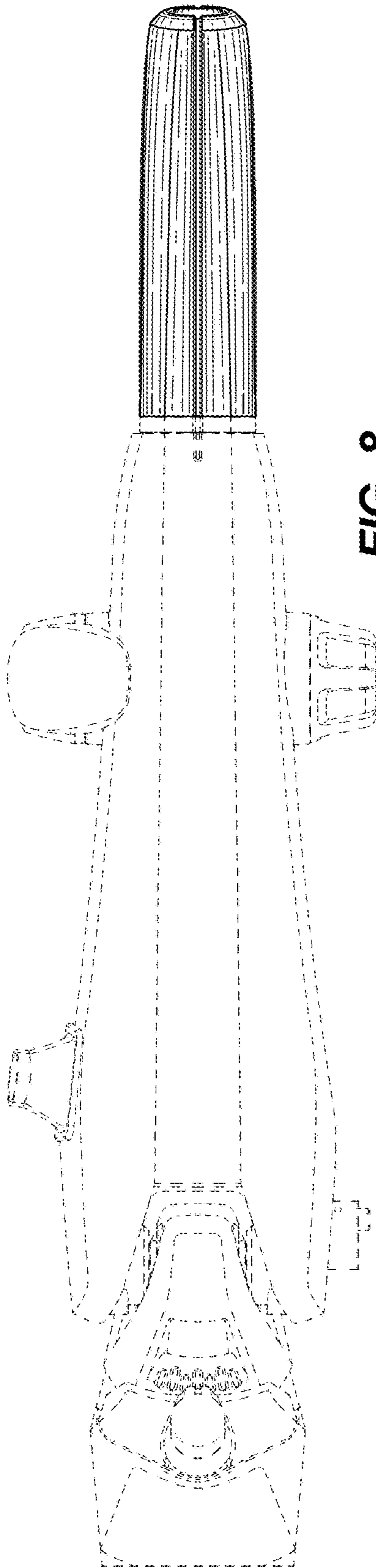


FIG. 8

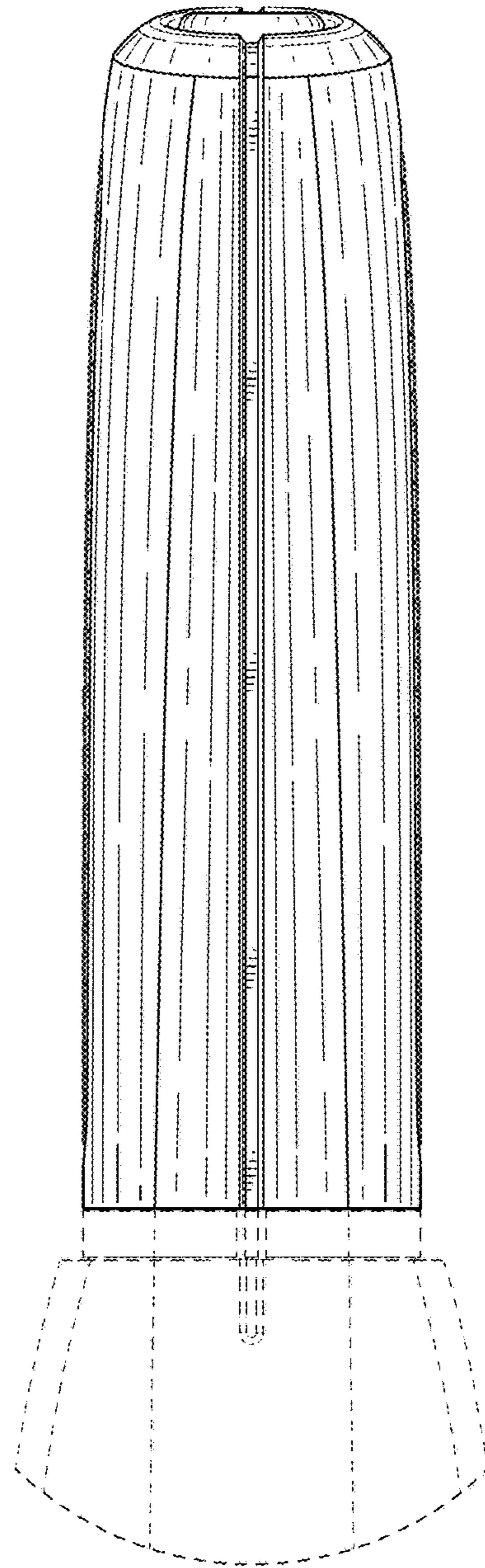


FIG. 9

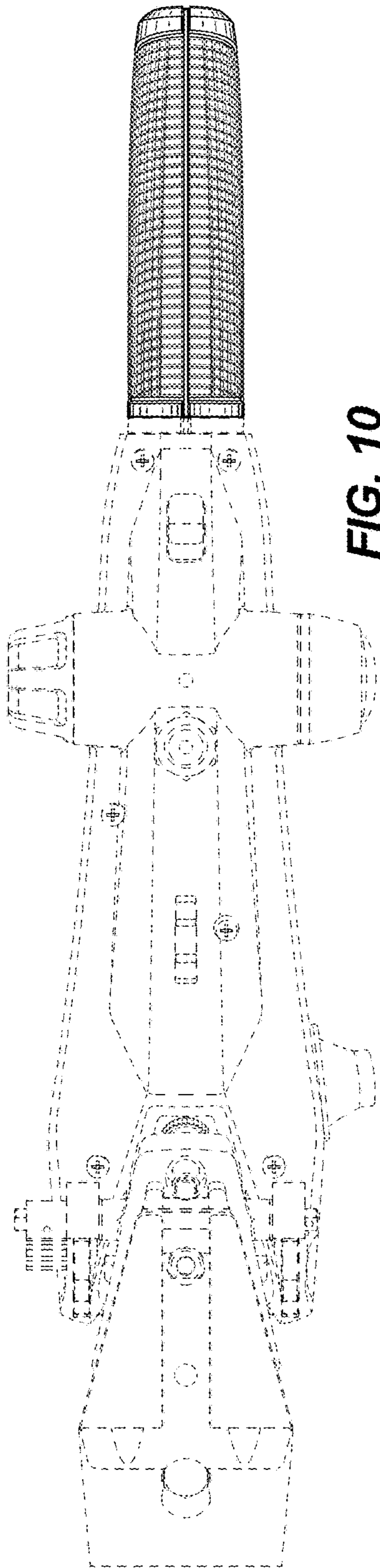


FIG. 10

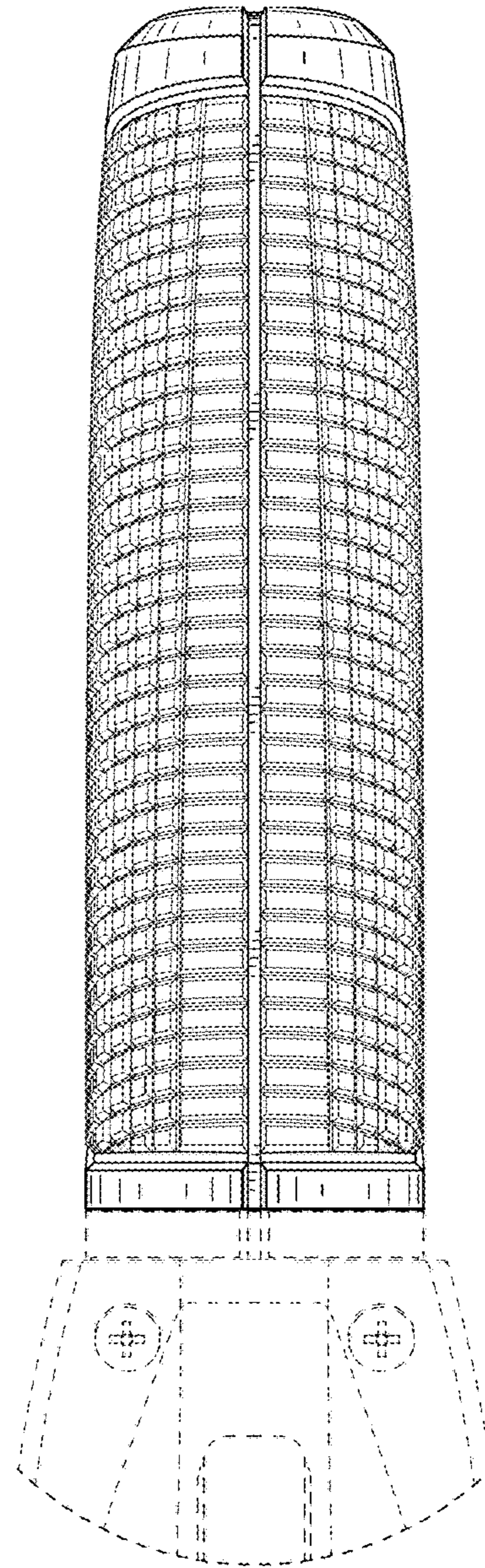


FIG. 11