



US00D807897S

(12) **United States Design Patent**
Dahan et al.

(10) **Patent No.:** **US D807,897 S**
(45) **Date of Patent:** **** Jan. 16, 2018**

(54) **DONGLE**

(71) Applicants: **Amram Dahan**, Hod Hasharon (IL);
Ron Mualem, Moshav Ginaton (IL)

(72) Inventors: **Amram Dahan**, Hod Hasharon (IL);
Ron Mualem, Moshav Ginaton (IL)

(**) Term: **15 Years**

(21) Appl. No.: **29/549,581**

(22) Filed: **Dec. 22, 2015**

(51) **LOC (11) Cl.** **14-99**

(52) **U.S. Cl.**
USPC **D14/480.1**; D14/217; D14/483

(58) **Field of Classification Search**
USPC D14/168, 188, 194, 195, 196, 204, 210,
D14/211, 212, 213, 214, 215, 216, 217,
D14/248, 251, 253, 433, 434, 435, 435.1
CPC B60R 11/0217; G06F 1/1688; G10K 9/22;
G10K 11/004; H03F 1/327; H04M 1/03;
H04M 1/035; H04N 5/642; H04N
21/4852; H04S 3/00; H04S 7/30; H04R
1/02; H04R 1/06; H04R 1/021; H04R
1/025; H04R 1/026; H04R 1/028; H04R
1/105; H04R 1/323; H04R 1/403; H04R
1/2803; H04R 1/2834; H04R 5/02; H04R
7/20; H04R 9/06; H04R 9/025; H04R
2201/021; H04R 2400/00; H04R 2400/07;
H04R 2499/11; H04R 2499/13; H04R
2499/15

See application file for complete search history.

(56) **References Cited**

U.S. PATENT DOCUMENTS

D210,668 S *	4/1968	Janda	D14/248
D474,762 S *	5/2003	Moberg	D14/217
D572,248 S *	7/2008	Jen	D14/480.5
D572,249 S *	7/2008	Yang	D14/435.1
D616,878 S *	6/2010	Jones	D14/147
D653,247 S *	1/2012	Jones	D14/248

D662,082 S *	6/2012	McManigal	D14/217
D706,752 S *	6/2014	Myung	D14/240
D723,536 S *	3/2015	Werth	D14/253
D741,865 S *	10/2015	Sundermeyer	D14/433
D745,523 S *	12/2015	Magi	D14/433
D768,140 S *	10/2016	Daniel	D14/480.1
2004/0259423 A1 *	12/2004	Elbaz	G06K 19/04 439/660
2008/0166902 A1 *	7/2008	Johnson	H01R 29/00 439/133
2012/0093350 A1 *	4/2012	He	H04R 1/025 381/332

OTHER PUBLICATIONS

YouTube—DIP7 Disk in Phone, announced Jan. 1, 2016 [online],
[site visited Jun. 23, 2017]. Available from internet, URL: <<https://www.youtube.com/watch?v=gFuUsHJ0HmE>>.*

SlideShare—DIP7 Disk in Phone, announced Mar. 29, 2016
[online], [site visited Jun. 23, 2017]. Available from internet, URL:
<<https://www.slideshare.net/AmiDahan1/dip7-disk-in-phone-for-promotional-give-away>>.*

* cited by examiner

Primary Examiner — Keli L Hill

Assistant Examiner — Karra S Johnson

(74) *Attorney, Agent, or Firm* — Guy Levi; The IP Law Firm of Guy Levi, LLC

(57) **CLAIM**

We claim, the ornamental design for a dongle, as shown and described.

DESCRIPTION

FIG. 1 shows a bottom left perspective view our new dongle design;

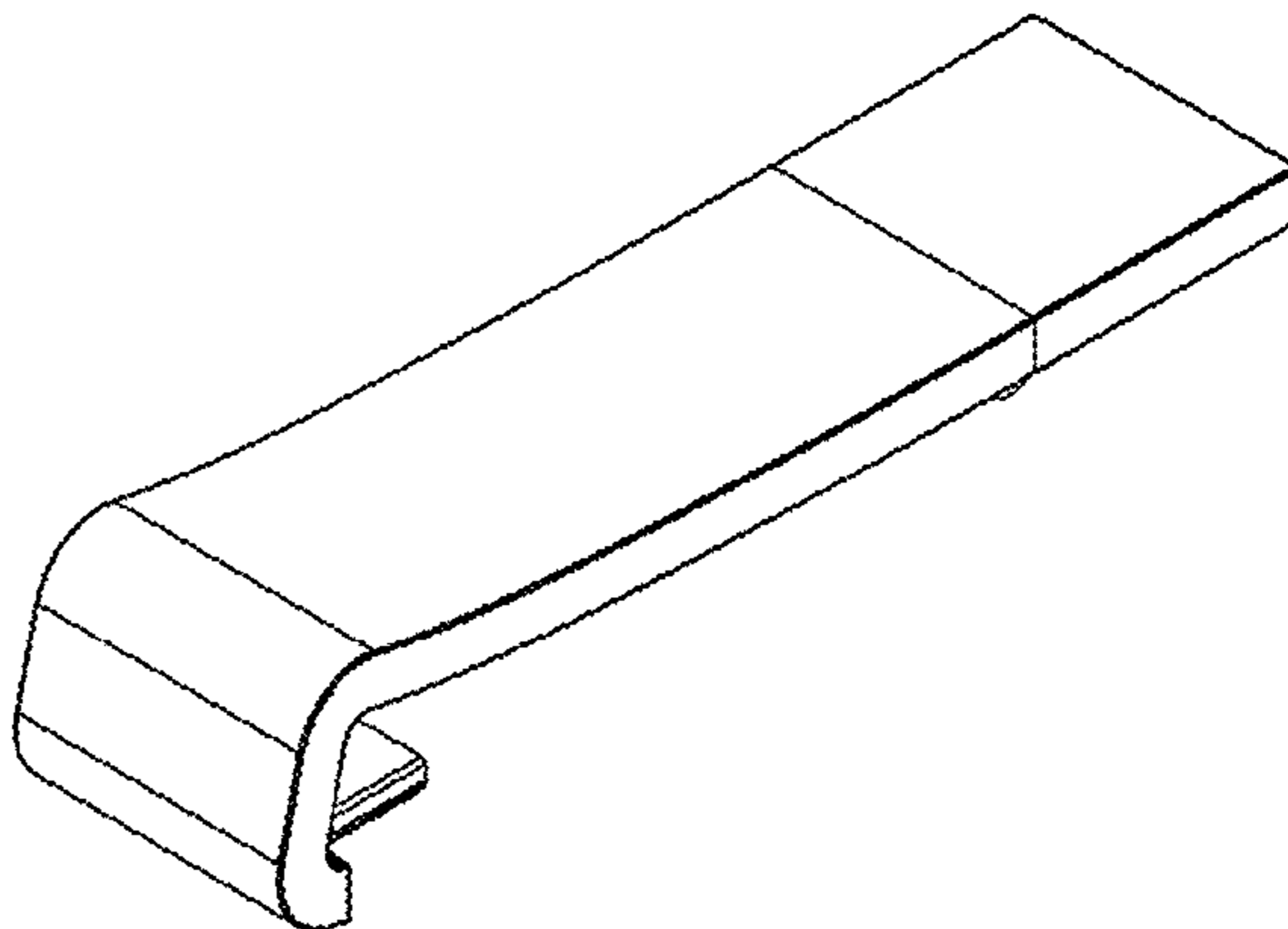
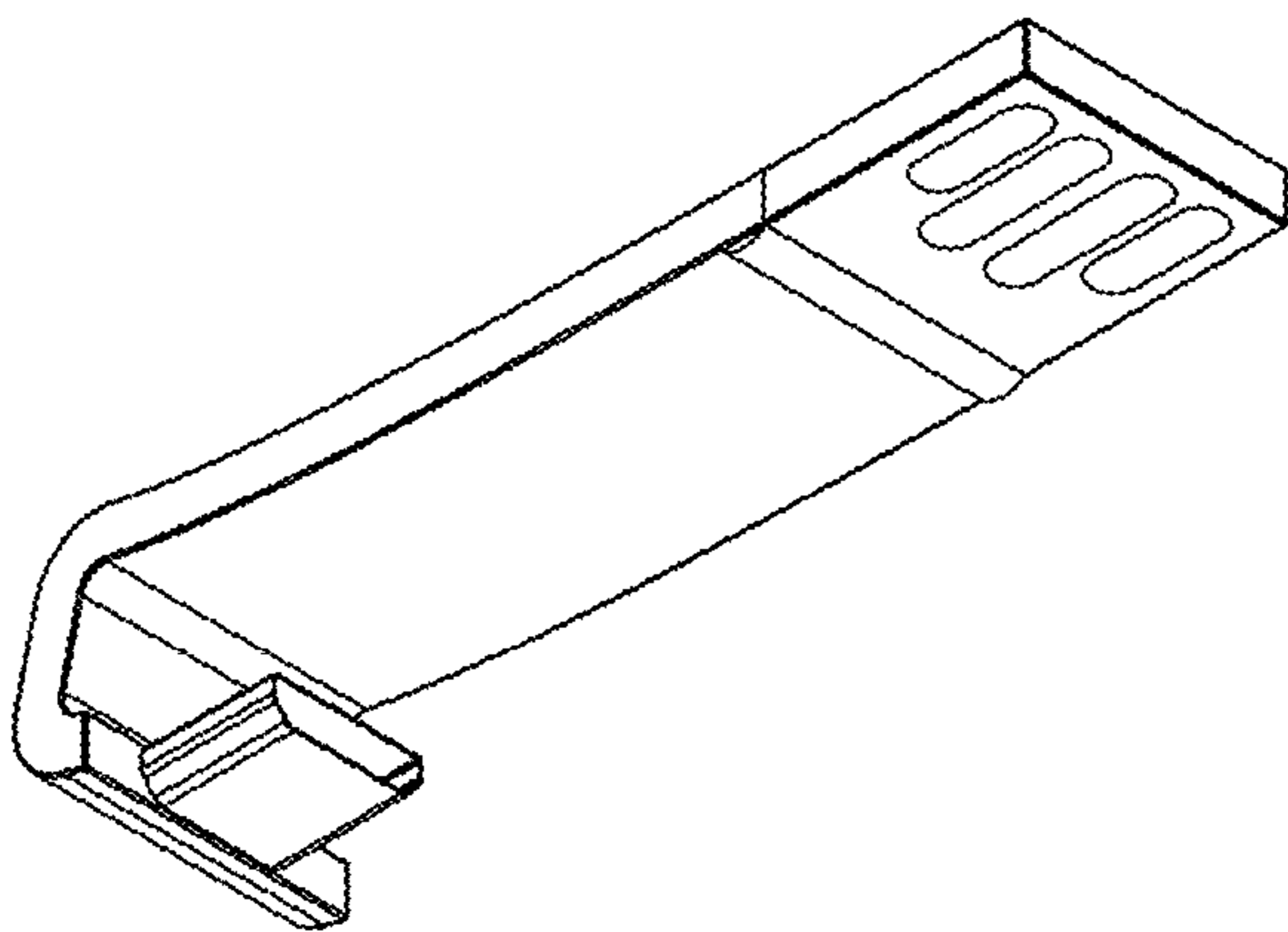
FIG. 2 shows a top left perspective view thereof;

FIG. 3 shows a left side elevation view thereof, the right side being symmetrical;

FIG. 4 shows a bottom plan view thereof; and,

FIG. 5 shows a top plan view thereof.

1 Claim, 2 Drawing Sheets



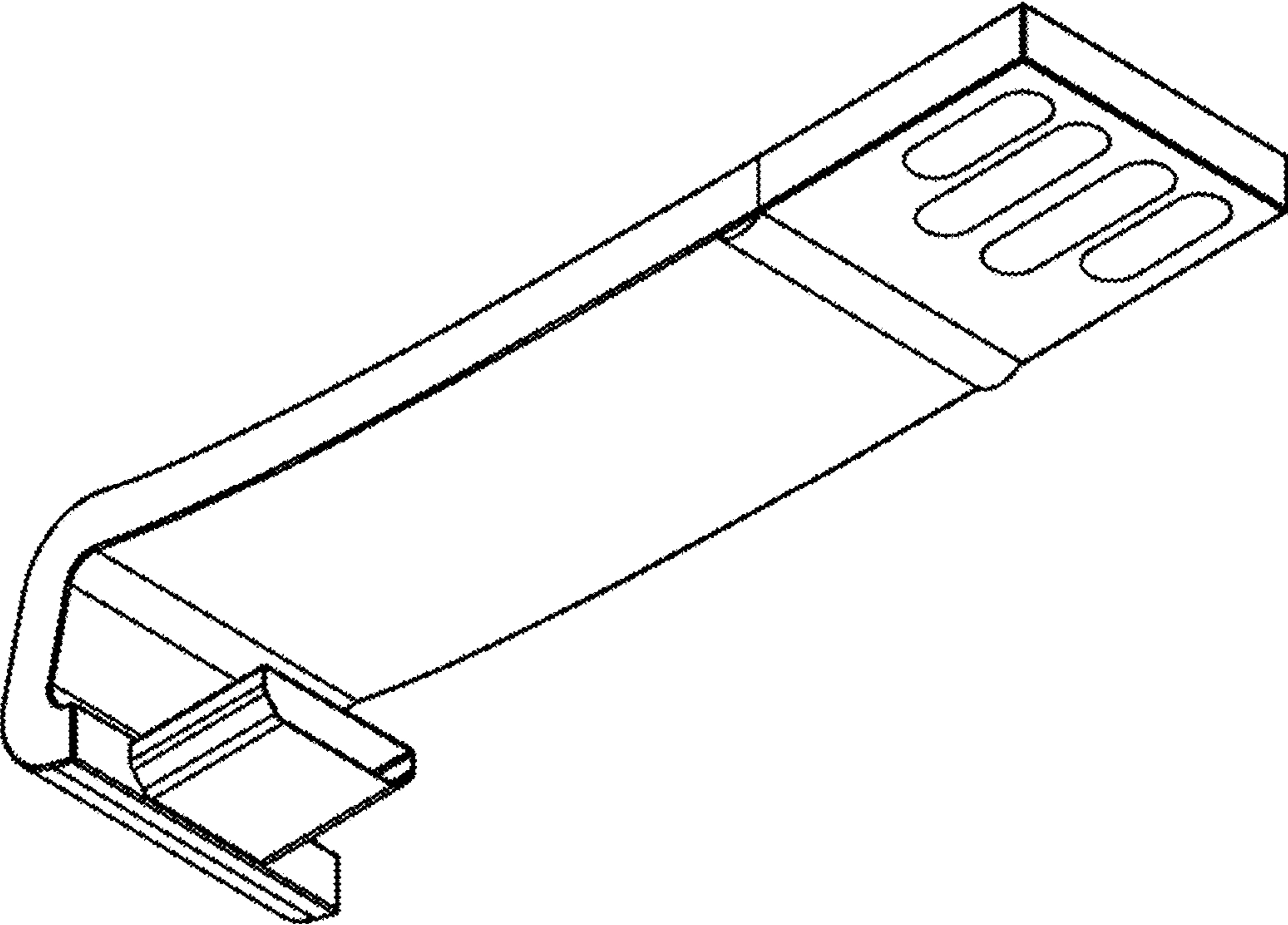


FIG. 1

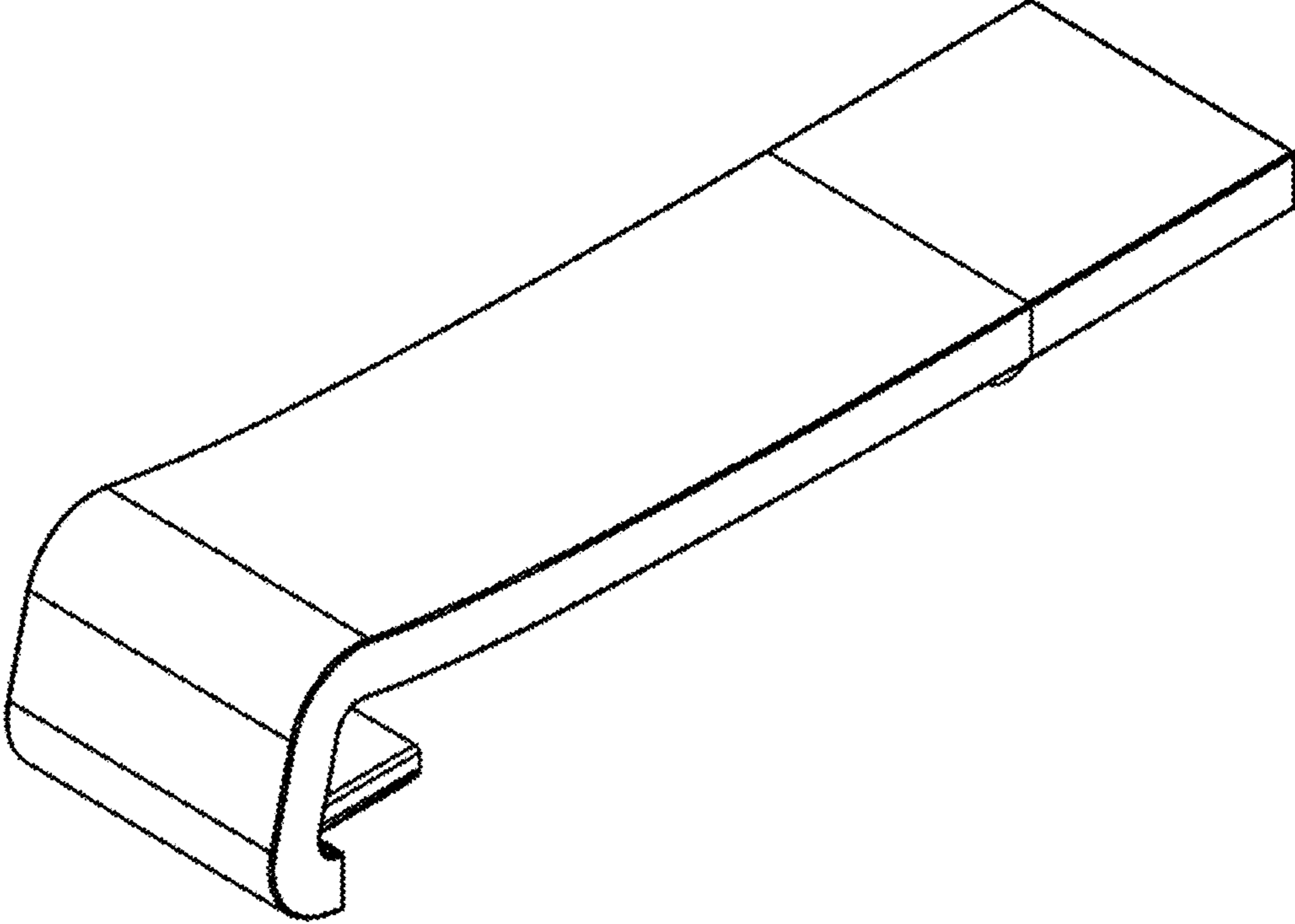


FIG. 2

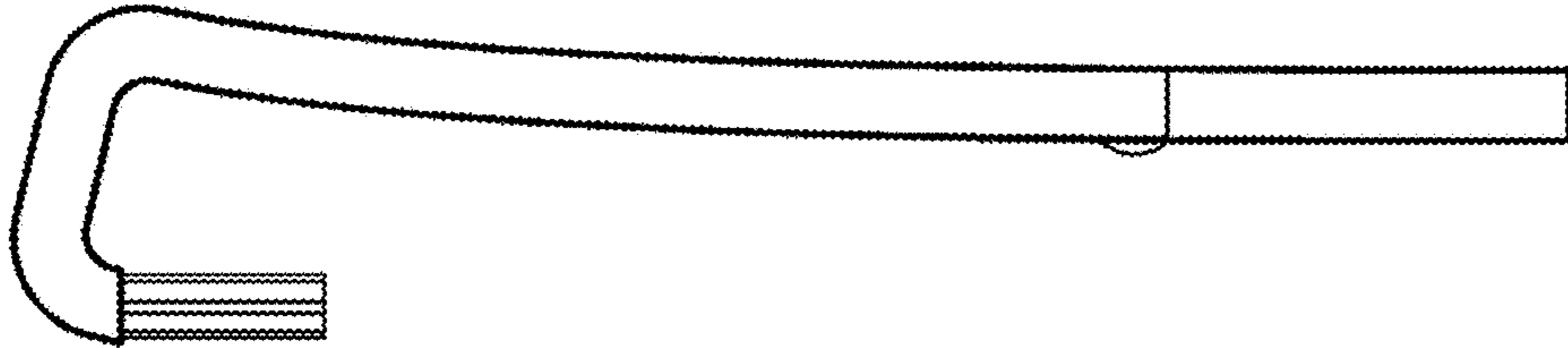


FIG. 3



FIG. 4



FIG. 5