



US00D807896S

(12) **United States Design Patent**
Cai et al.

(10) **Patent No.:** **US D807,896 S**
(45) **Date of Patent:** **** Jan. 16, 2018**

(54) **ADAPTING PIECE FOR STACK
INSTALLATION OF AN LED DISPLAY
SCREEN**

A47B 88/044; A47B 2021/0335; F16B
47/00; F16B 47/006; H02G 3/126; A47G
1/17; A47K 2201/00

See application file for complete search history.

(71) Applicant: **ROE VISUAL Co., Ltd.**, Shenzhen,
Guangdong (CN)

(56) **References Cited**

(72) Inventors: **Danhu Cai**, Guangdong (CN); **Peng
Xiao**, Guangdong (CN)

U.S. PATENT DOCUMENTS

(73) Assignee: **ROE VISUAL Co., Ltd.**, Shenzhen,
Guangdong (CN)

D291,650 S *	9/1987	Monzen	D24/128
D430,570 S *	9/2000	Lee	D14/451
D606,548 S *	12/2009	Sapper	D14/452
D618,222 S *	6/2010	Kailas	D14/229
D631,403 S *	1/2011	Knopf	D12/133
D641,080 S *	7/2011	Zinger	D24/129
D657,218 S *	4/2012	Wilder	D8/51

(**) Term: **15 Years**

(Continued)

(21) Appl. No.: **29/568,680**

Primary Examiner — Garth Rademaker

(22) Filed: **Jun. 20, 2016**

Assistant Examiner — Katie Stofko

(51) **LOC (11) Cl.** **08-07**

(74) *Attorney, Agent, or Firm* — Andrew W. Chu; Craft
Chu PLLC

(52) **U.S. Cl.**

USPC **D14/452**

(58) **Field of Classification Search**

(57) **CLAIM**

USPC D14/371–382, 125–129, 335–337,
D14/447–452, 492, 239, 457, 439–441,
D14/432, 251–253, 434; D8/349, 354,
D8/363, 373, 376, 380, 51, 382, 387,
D8/394; 348/180, 184, 325, 739, 825;
D12/407, 415; D3/218; 341/12;
248/323, 278.1, 286.1

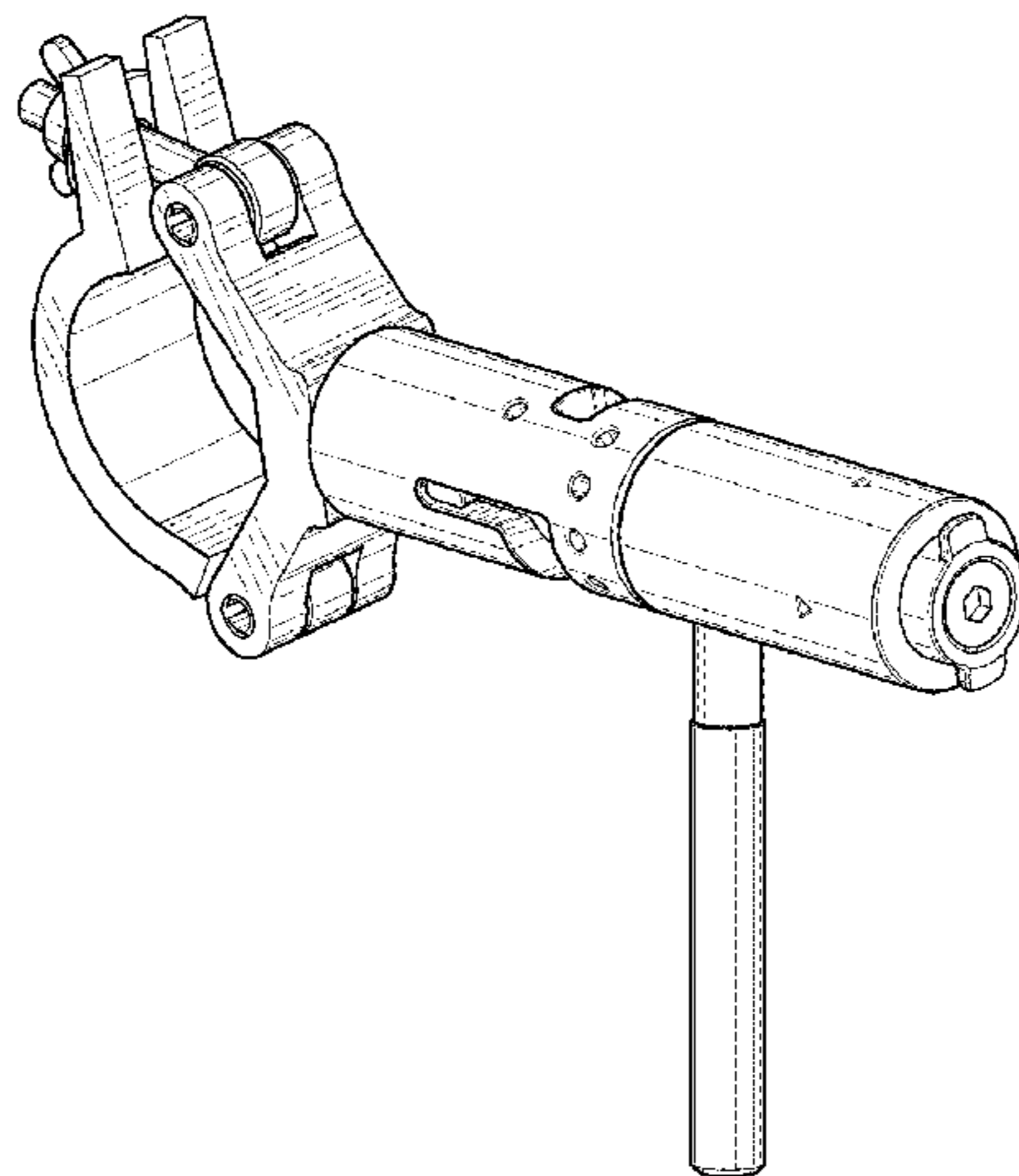
The ornamental design for an adapting piece for stack
installation of an LED display screen, as shown and
described.

CPC G06F 3/0412; G06F 3/016; G06F 3/0488;
G06F 3/011; G06F 3/038; G06F 3/03543;
G06F 3/0338; G06F 3/0202; G06F
3/0219; G06F 3/0213; G06F 1/1616;
G06F 3/023; G06F 3/04883; G02F
1/13338; G02F 1/1313; G02F 1/1333;
G02F 1/135; G02F 1/132; G02F
1/133308; G02F 1/134309; G02F
1/13718; G09G 3/3648; G06K 15/1252;
B41J 2/465; G03F 7/70291; G02B
27/0172; G02B 5/30; G02B 2027/0118;
G02B 27/0101; F16M 13/02; F16M
13/00; F16M 11/10; F16M 11/04; F16M
2200/08; F16M 11/2021; A47B 21/0314;

DESCRIPTION

FIG. 1 is a front upper perspective view of an adapting piece
for stack installation of an LED display screen showing my
design;
FIG. 2 is a side elevation view thereof;
FIG. 3 is an opposite side elevation view thereof;
FIG. 4 is a back end elevation view thereof;
FIG. 5 is a front end elevation view thereof;
FIG. 6 is a top plan view thereof;
FIG. 7 is a bottom plan view thereof; and,
FIG. 8 is an upper front perspective view thereof, shown in
an alternate position and an environment of use.
The broken lines in FIG. 8 illustrate the environment of the
claimed design and form no part thereof.

1 Claim, 4 Drawing Sheets



(56)

References Cited

U.S. PATENT DOCUMENTS

8,998,048	B1 *	4/2015	Wu	B62J 11/00
					224/420
D743,244	S *	11/2015	Anderson	D8/394
9,235,072	B1	1/2016	Yang et al.		
D765,647	S *	9/2016	Lee	D14/253
D767,124	S *	9/2016	Lev	D24/129
D775,115	S *	12/2016	Ormsbee	D14/253
2006/0187140	A1	8/2006	Brask		
2008/0164395	A1 *	7/2008	Chang	F16M 11/105
					248/276.1

* cited by examiner

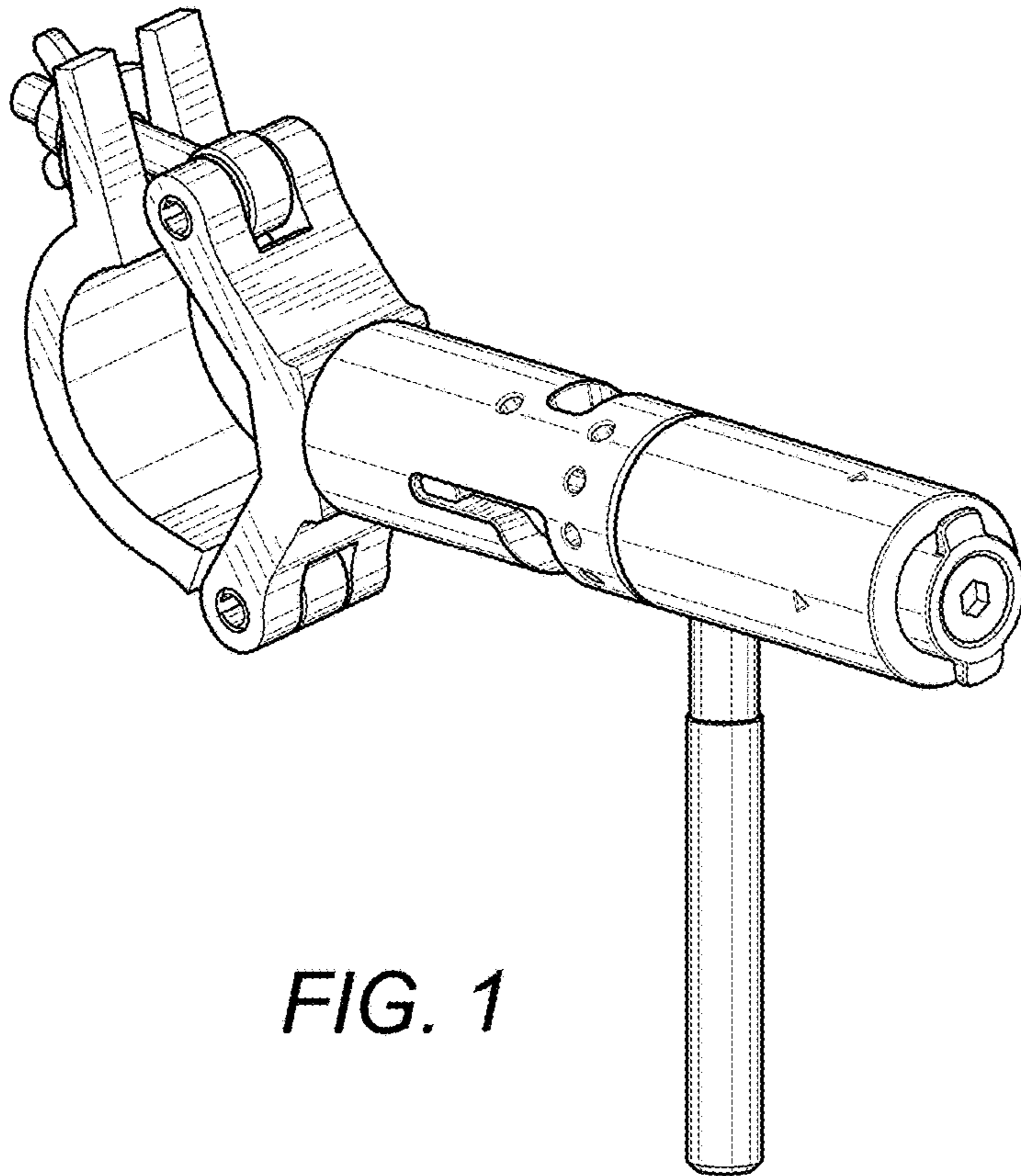


FIG. 1

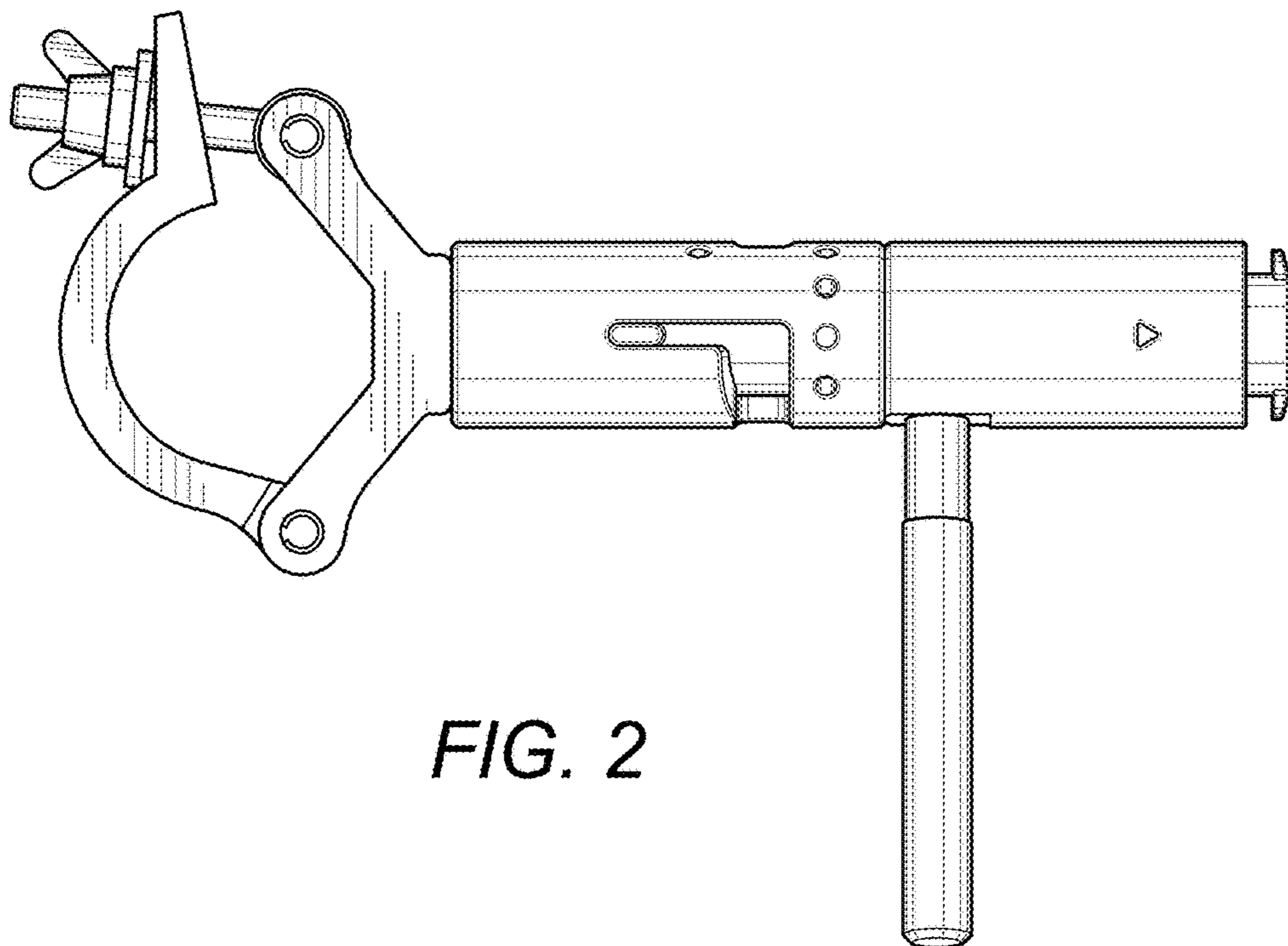
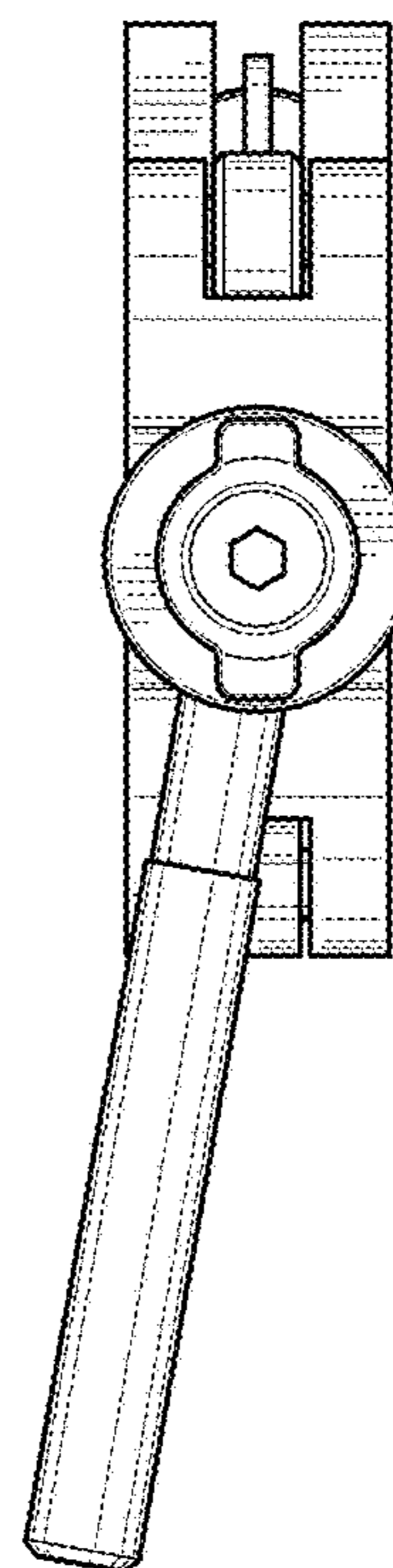
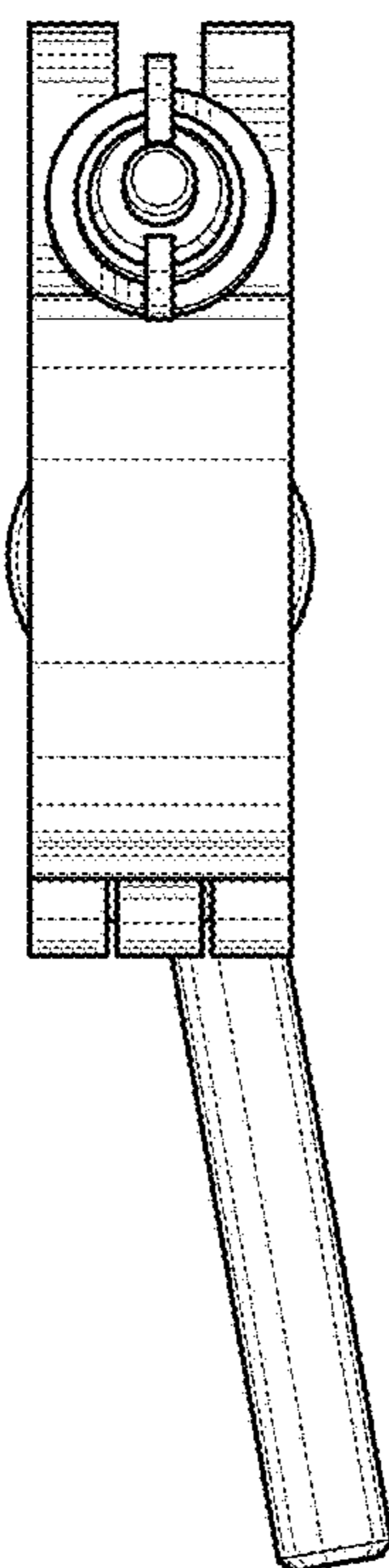
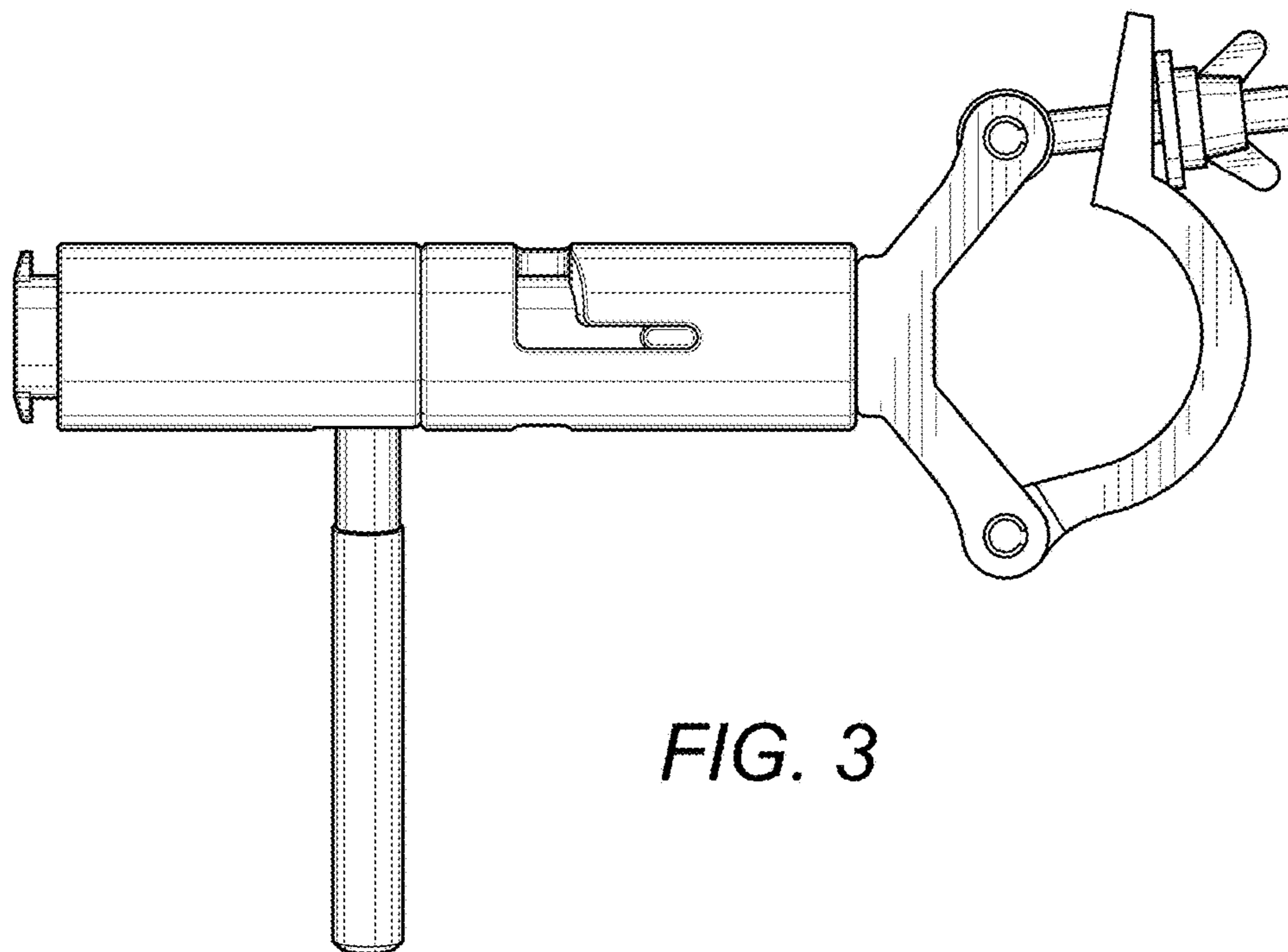


FIG. 2



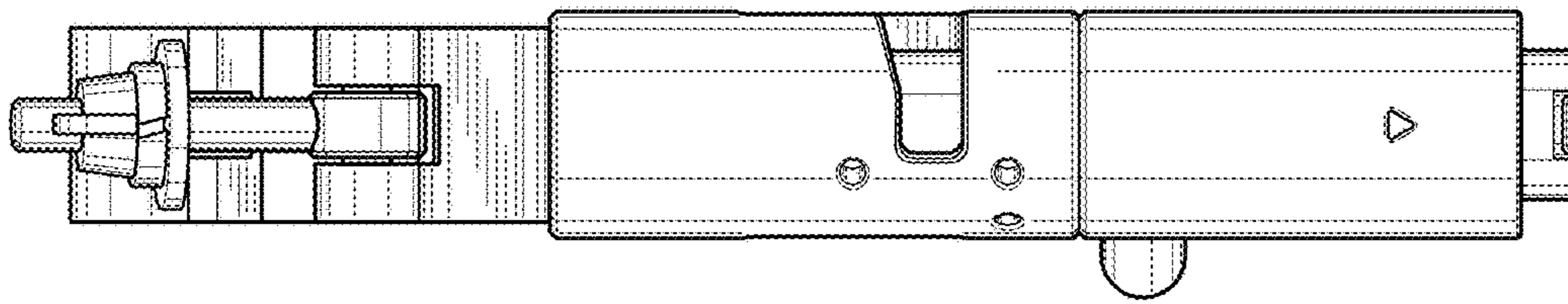


FIG. 6

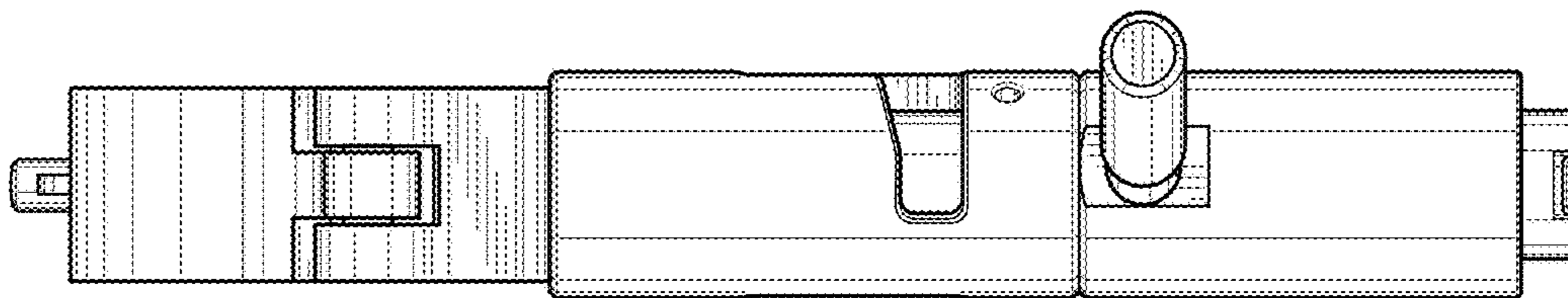


FIG. 7

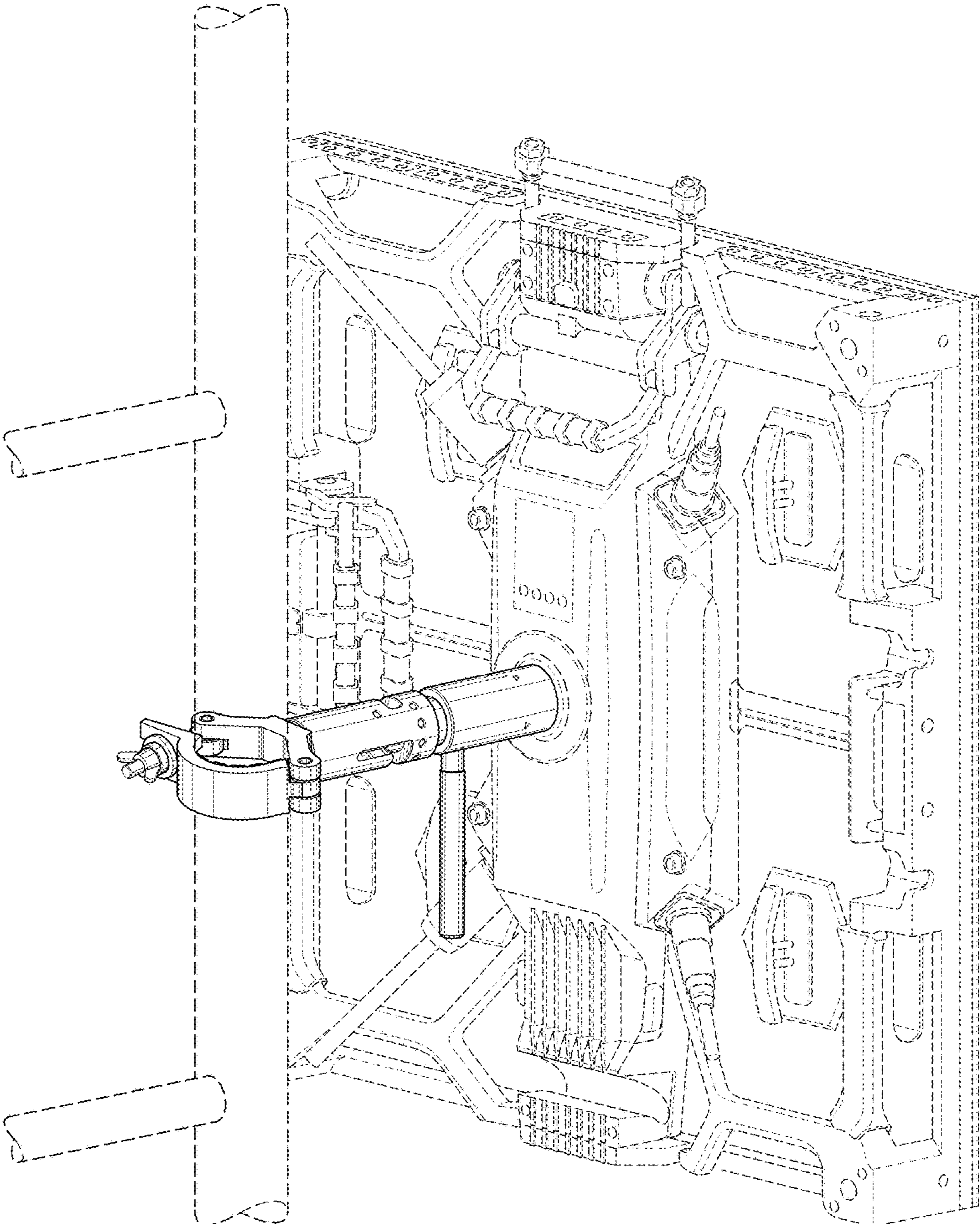


FIG. 8