



US00D807895S

(12) **United States Design Patent**
Won et al.

(10) **Patent No.:** **US D807,895 S**
(45) **Date of Patent:** **** Jan. 16, 2018**

(54) **STAND FOR MONITOR**

- (71) Applicant: **SAMSUNG ELECTRONICS CO., LTD.**, Suwon-si, Gyeonggi-do (KR)
- (72) Inventors: **Tae-Yeon Won**, Seoul (KR); **Min-Joon Jung**, Seoul (KR)
- (73) Assignee: **SAMSUNG ELECTRONICS CO., LTD.**, Gyeonggi-Do (KR)
- (**) Term: **15 Years**

(21) Appl. No.: **29/563,405**

(22) Filed: **May 4, 2016**

(30) **Foreign Application Priority Data**

Nov. 6, 2015 (KR) 30-2015-0056103

(51) **LOC (11) Cl.** **14-02**

(52) **U.S. Cl.**
USPC **D14/452**

(58) **Field of Classification Search**
USPC D14/447-452, 336, 341, 371, 373, 374,
D14/375, 376, 377, 126, 127, 128, 129
CPC F16M 11/41; F16M 11/08; F16M 11/10;
F16M 11/105

See application file for complete search history.

(56) **References Cited**

U.S. PATENT DOCUMENTS

- D311,392 S * 10/1990 Hillary D14/451
- D512,424 S * 12/2005 Kim D14/375
- D575,783 S * 8/2008 Hean et al.
- D657,790 S * 4/2012 Lee D14/374
- D664,541 S * 7/2012 Kim D14/374
- D682,797 S * 5/2013 Lee D14/126

(Continued)

FOREIGN PATENT DOCUMENTS

- CN 3626937 3/2007
- EM 001366405-0001 4/2013

(Continued)

OTHER PUBLICATIONS

Samsung. <URL: <http://www.samsung.com/uk/monitors/curved-cfg70fqu/LC27FG70FQUXEN/>> May 27, 2017. Samsung 27" 144Hz Professional Gaming Monitor.*

Primary Examiner — Bridget L. Eland

Assistant Examiner — Lauren McVey

(74) *Attorney, Agent, or Firm* — Cantor Colburn LLP

(57) **CLAIM**

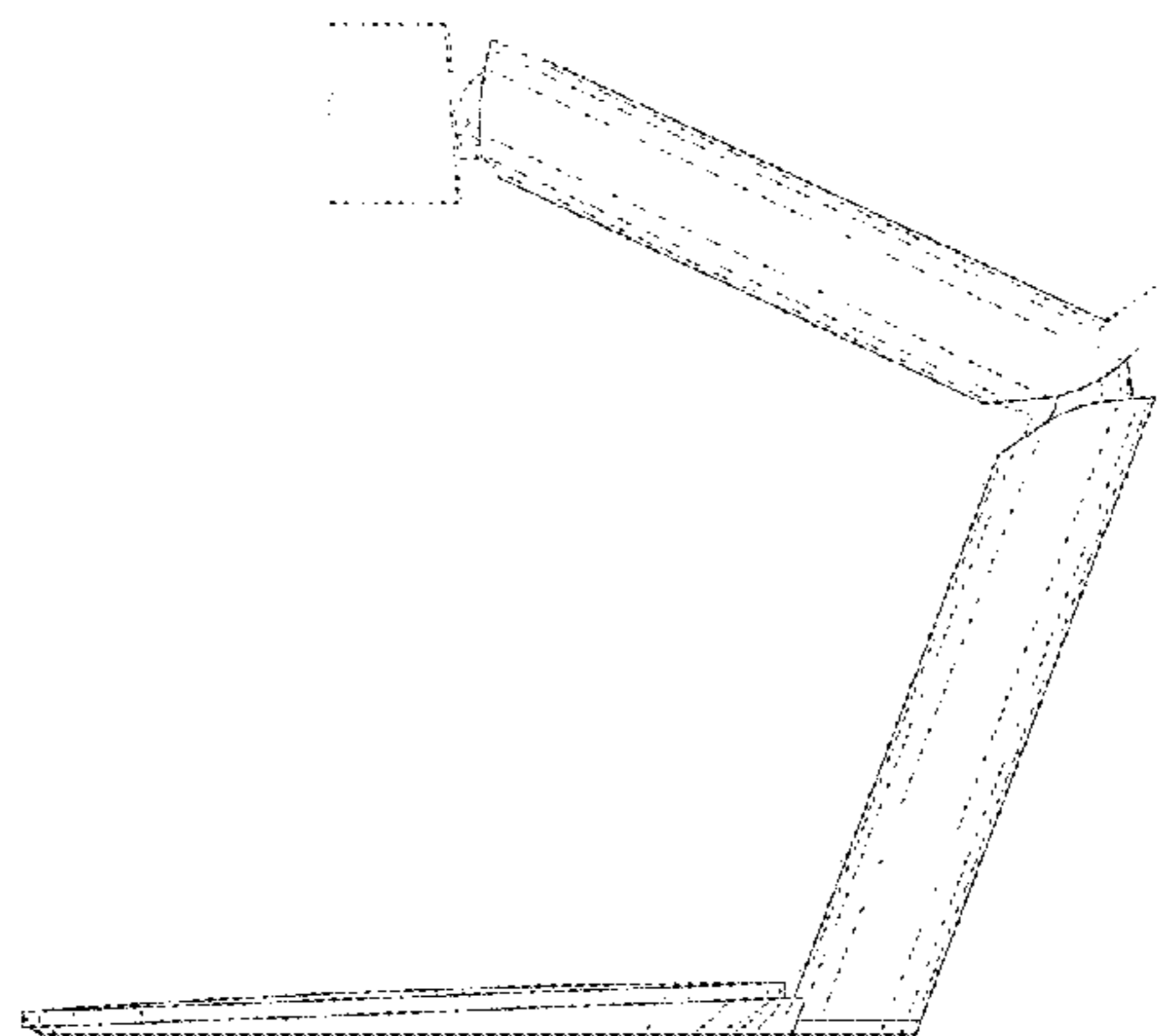
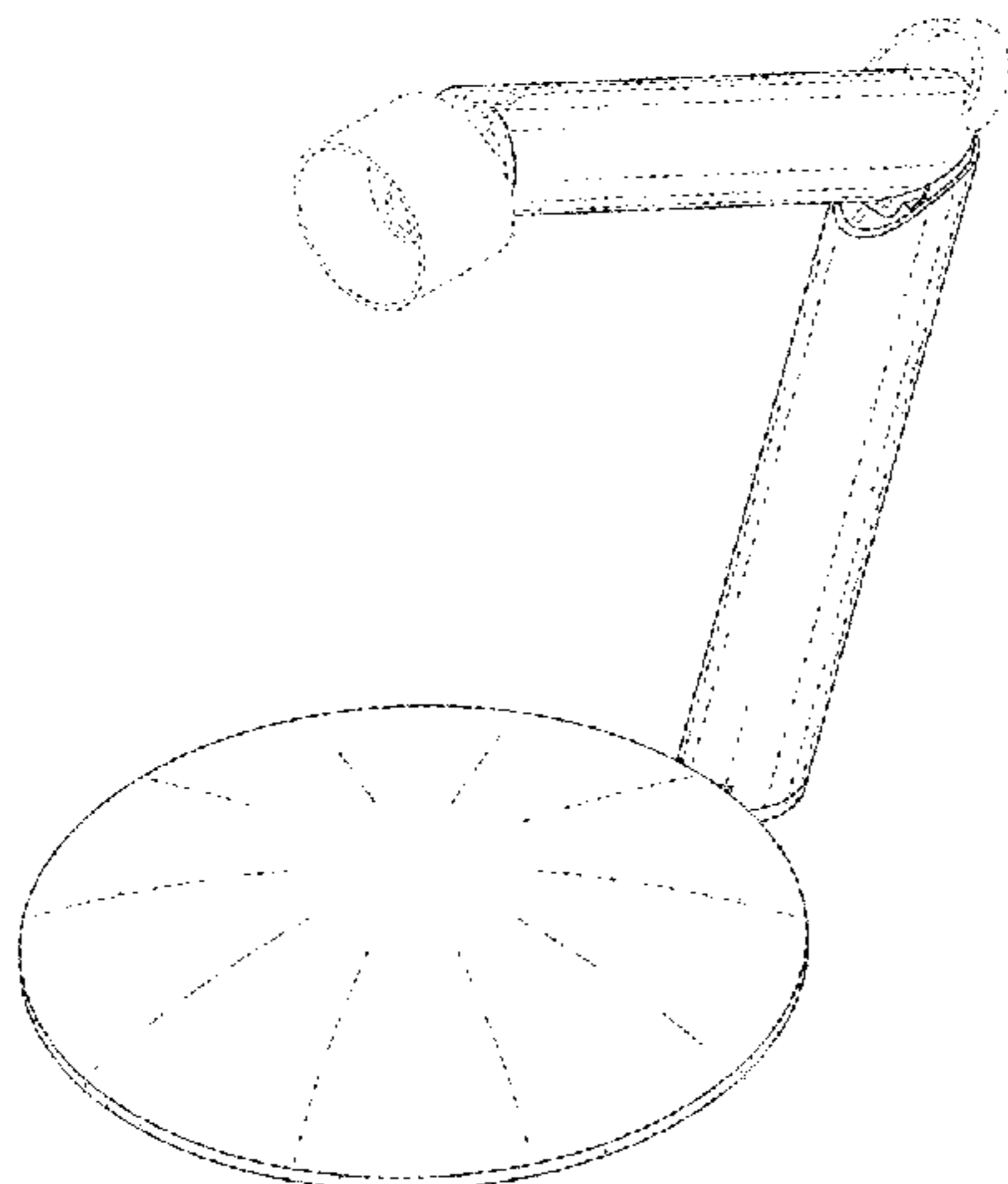
The ornamental design for an stand for monitor, as shown and described.

DESCRIPTION

FIG. 1 is a perspective view of a stand for monitor showing our new design;
 FIG. 2 is a front view thereof;
 FIG. 3 is a rear view thereof;
 FIG. 4 is a left-side view thereof;
 FIG. 5 is a right-side view thereof;
 FIG. 6 is a top plan view thereof;
 FIG. 7 is a bottom plan view thereof;
 FIG. 8 is a rear perspective view thereof;
 FIG. 9 is another perspective view thereof shown with environment;
 FIG. 10 is a second right-side view thereof shown with environment in an alternate position; and,
 FIG. 11 is a third right-side view thereof shown with environment in another alternate position.

The broken lines immediately adjacent the claim represent the bounds of the claimed design while all other broken lines are directed to environment and are for illustrative purposes only; the broken lines form no part of the claimed design. In addition, the unshaded surface directly adjoining the bottom solid line edge also forms no part of the claimed design.

1 Claim, 11 Drawing Sheets



(56)

References Cited

U.S. PATENT DOCUMENTS

D688,674	S	*	8/2013	Lau	D14/452
D704,156	S	*	5/2014	Lee	D14/126
D733,157	S	*	6/2015	Kim	D14/447
D750,078	S	*	2/2016	Kim	D14/375
D758,375	S	*	6/2016	Won	D14/451
D762,213	S	*	7/2016	Won	D14/374
D774,037	S	*	12/2016	Kang	D14/451
2011/0096486	A1	*	4/2011	Oh	F16M 11/10 361/679.21

FOREIGN PATENT DOCUMENTS

JP	D1179142	S	7/2003
KR	300757709	S	8/2014
RU	00102241	*	2/2017
RU	00102439	*	3/2017

* cited by examiner

FIG. 1

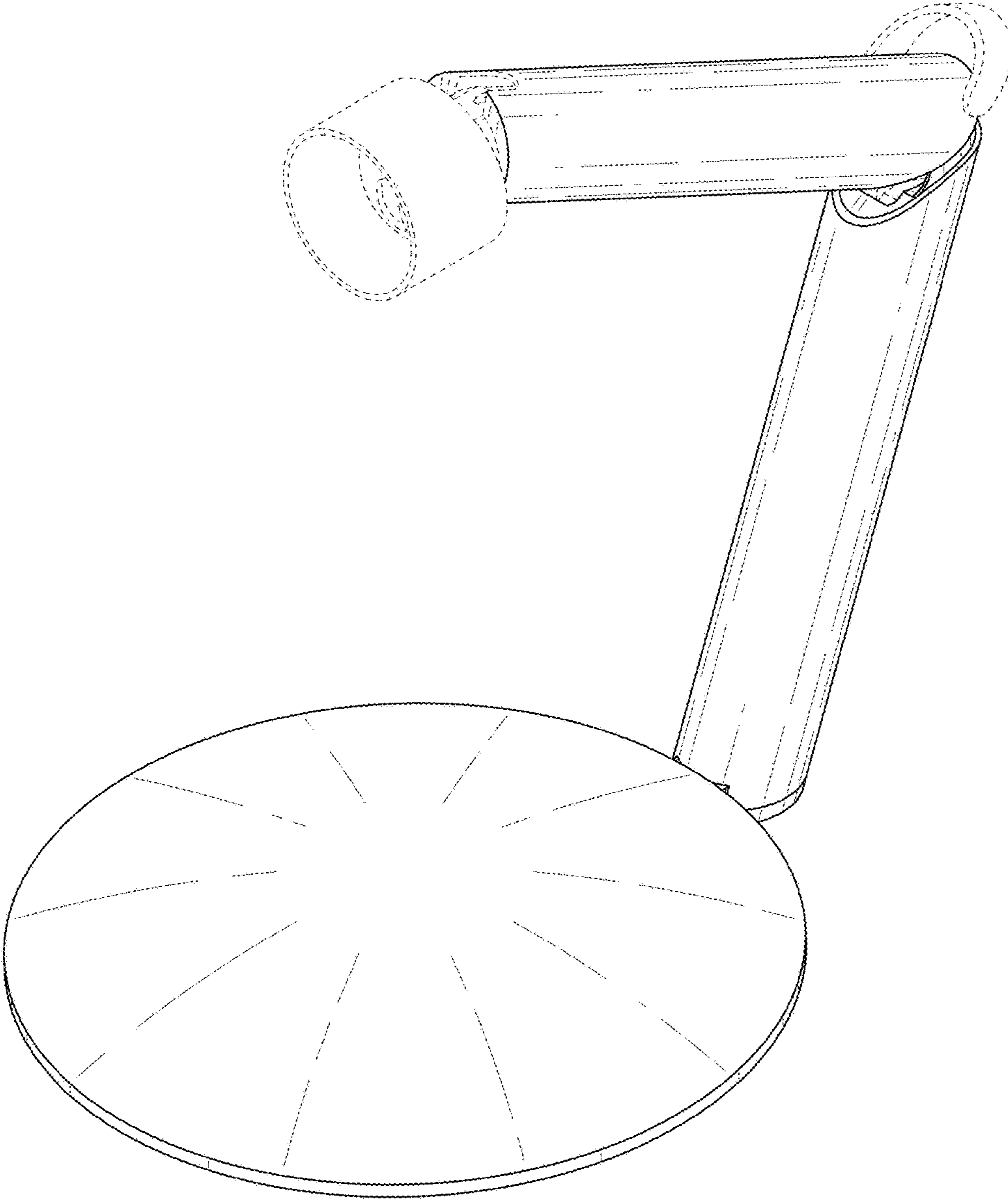


FIG. 2

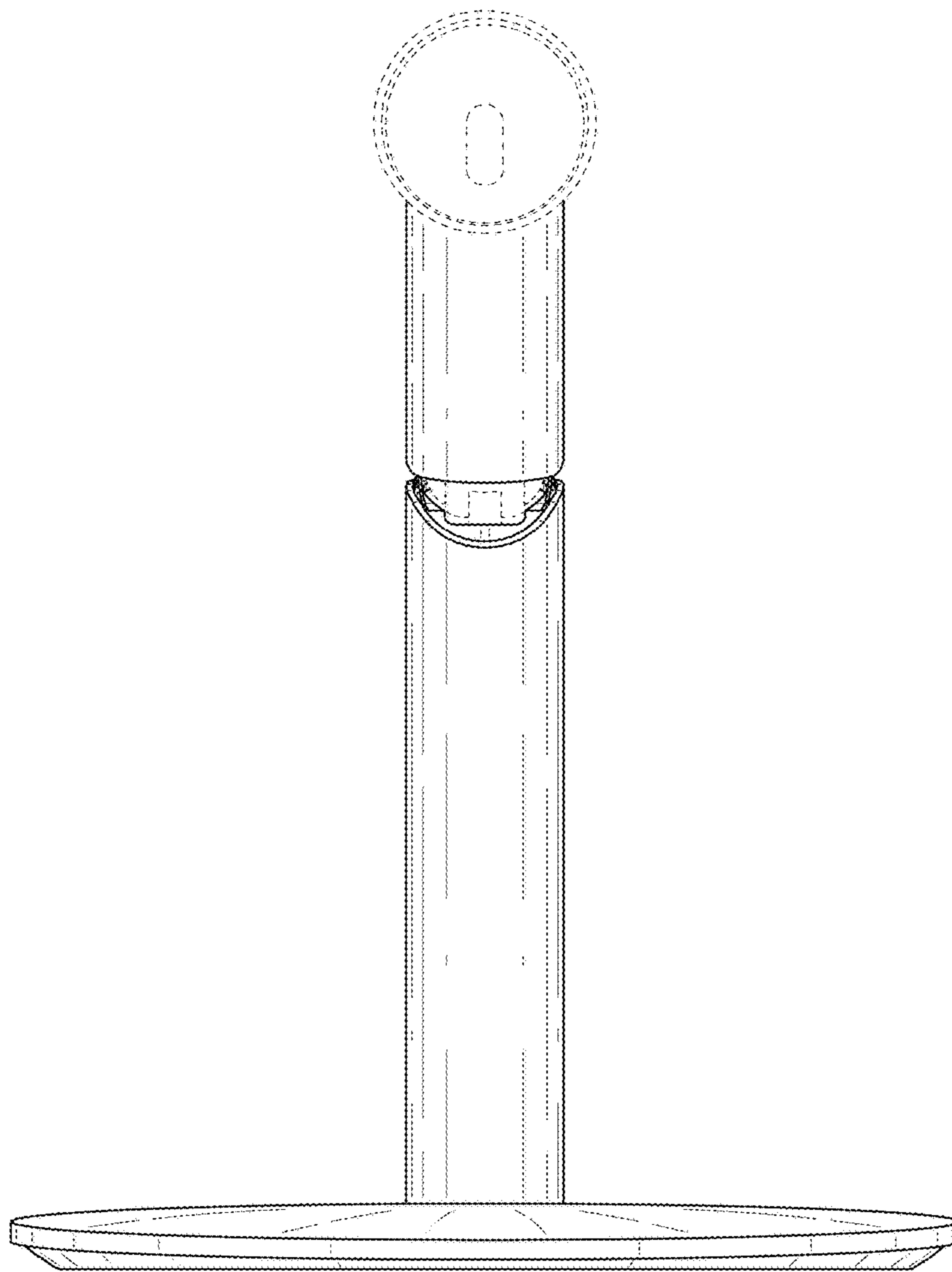


FIG. 3

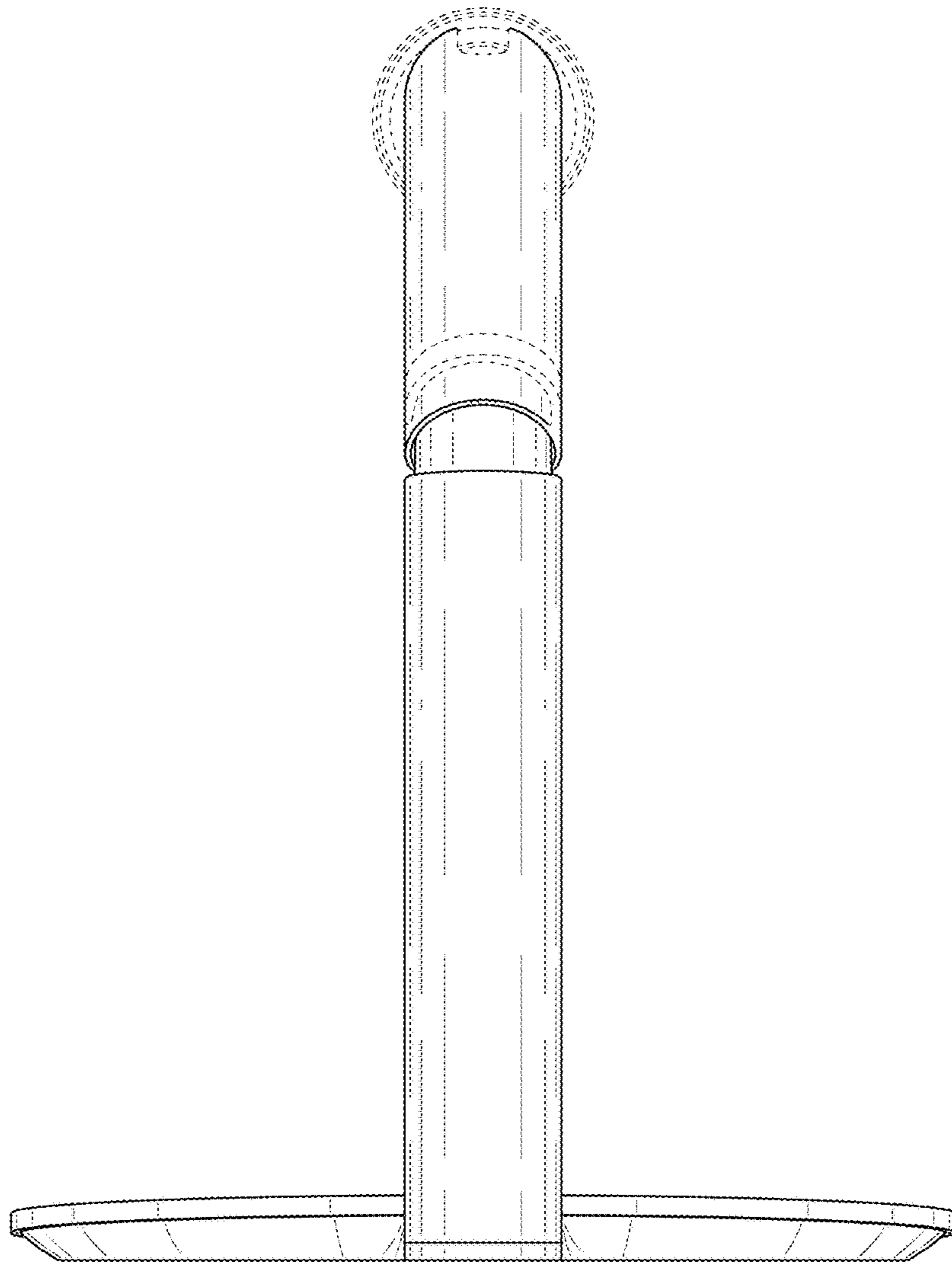


FIG. 4

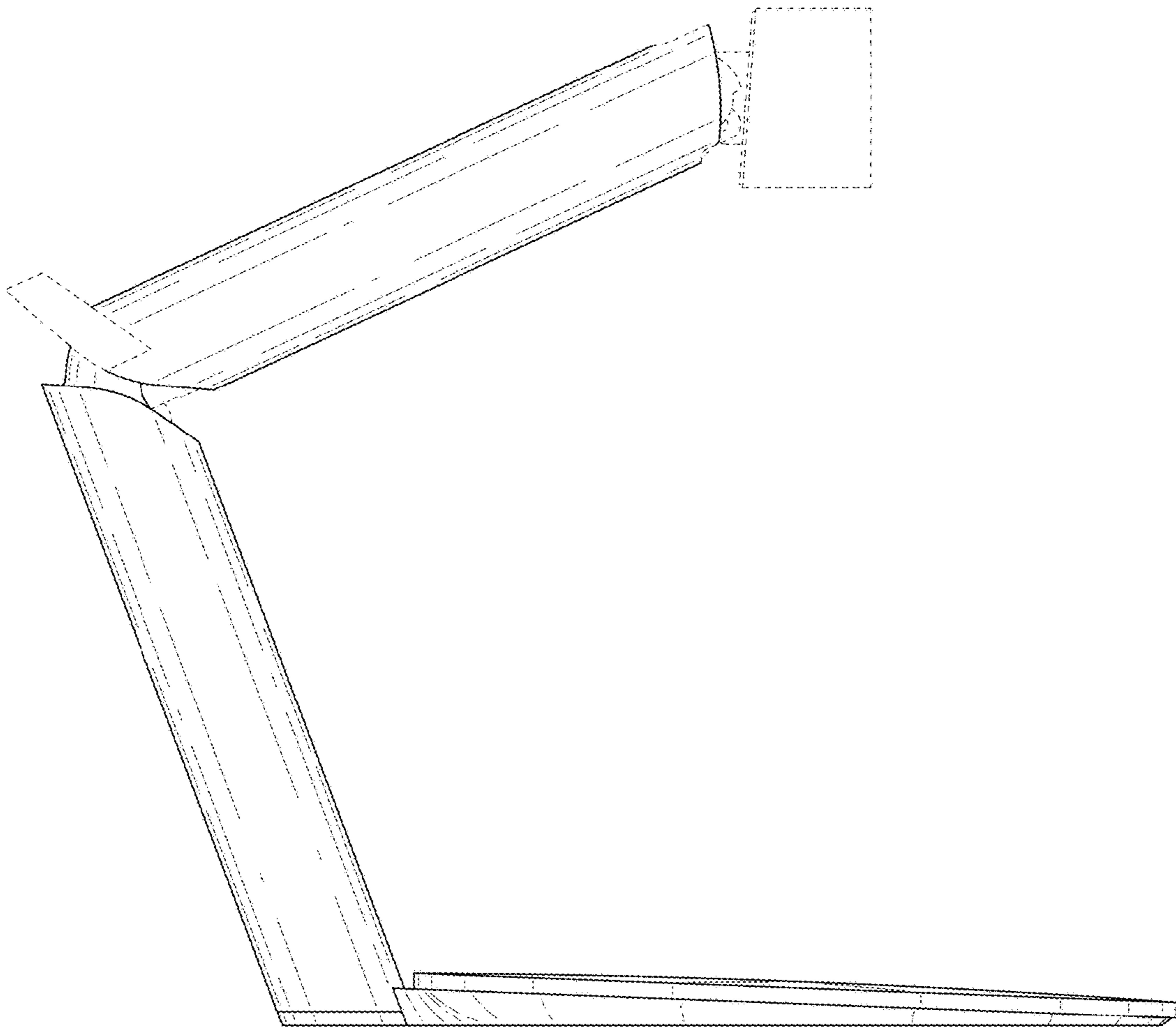


FIG. 5

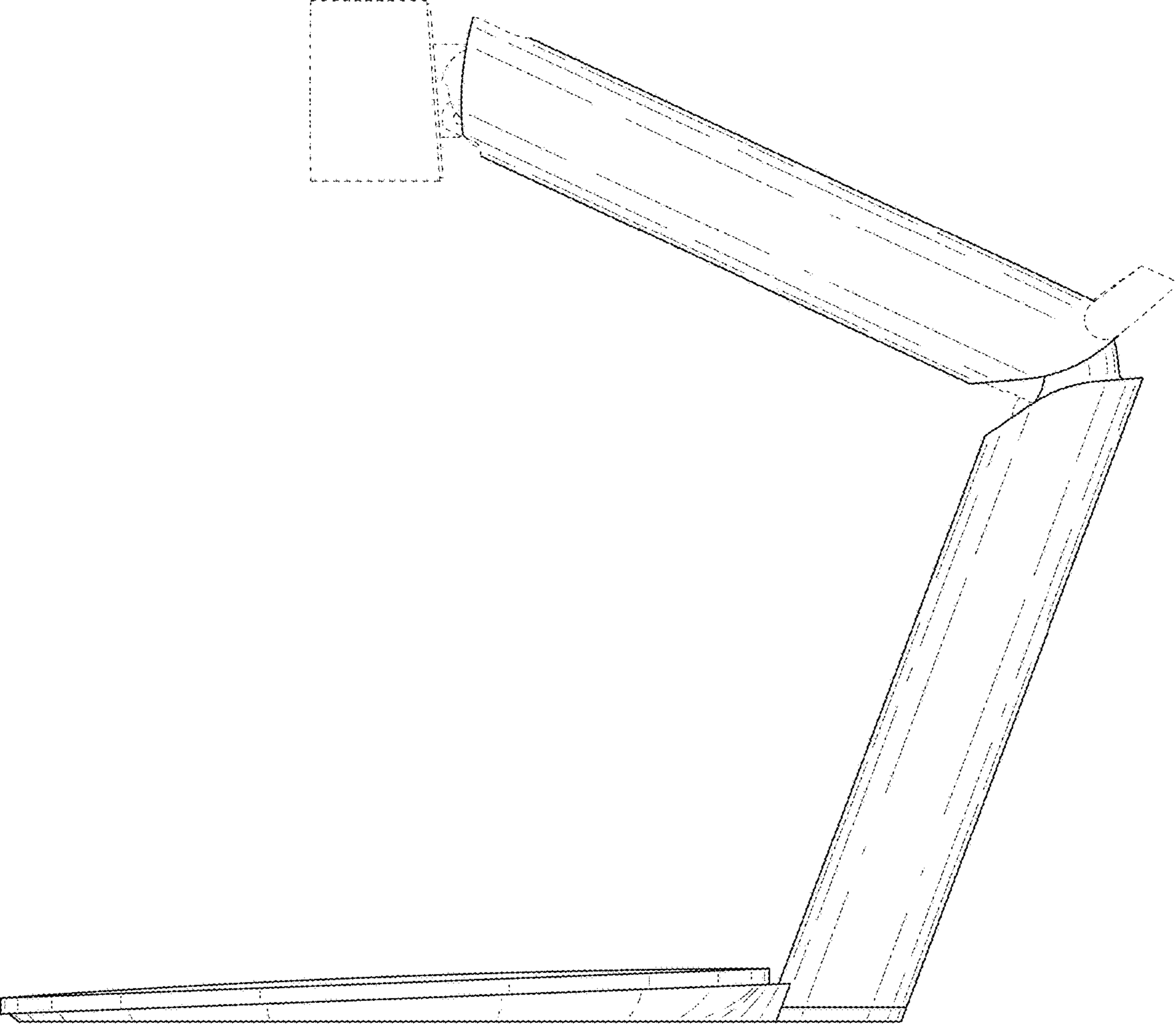


FIG. 6

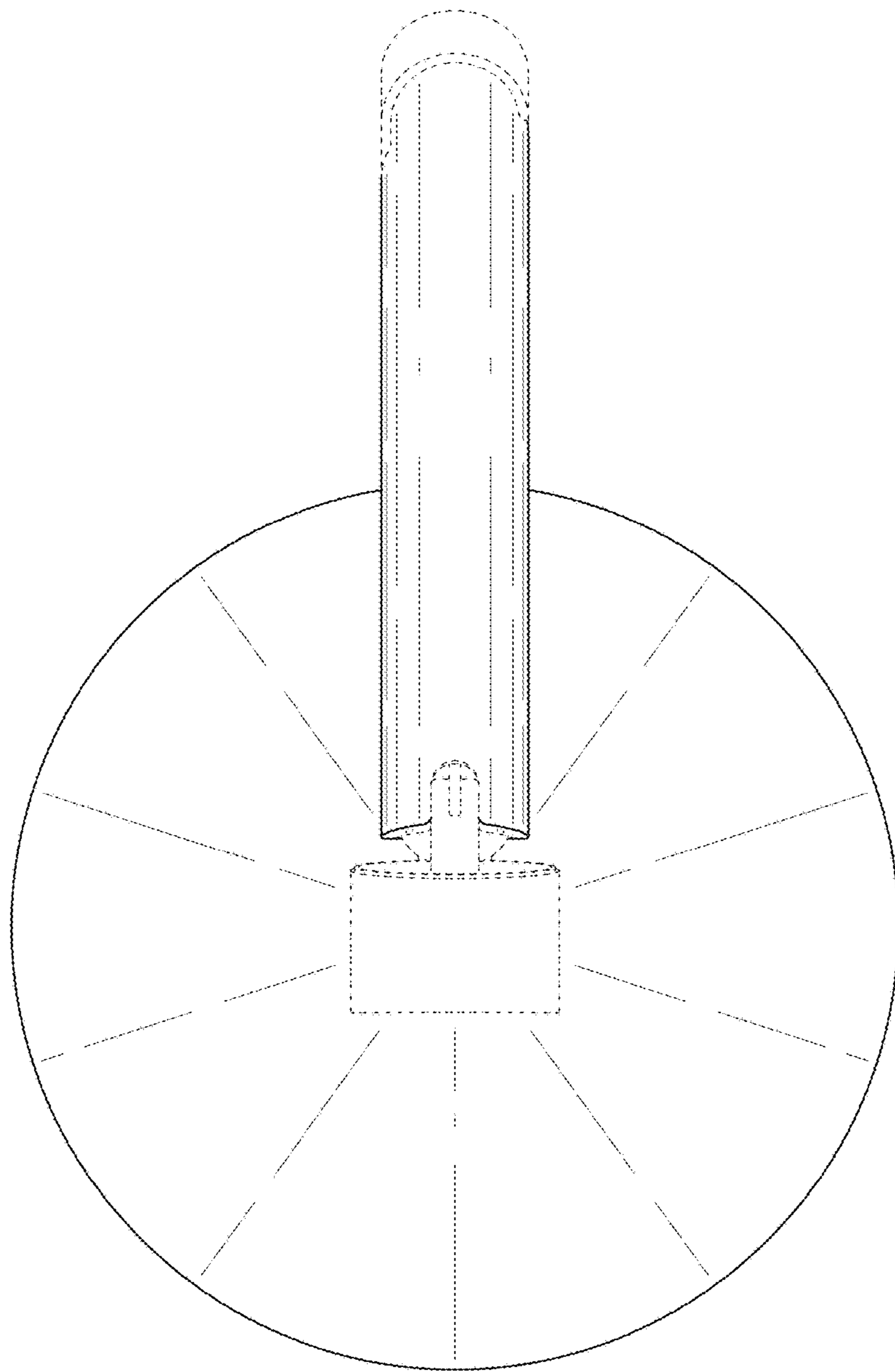


FIG. 7

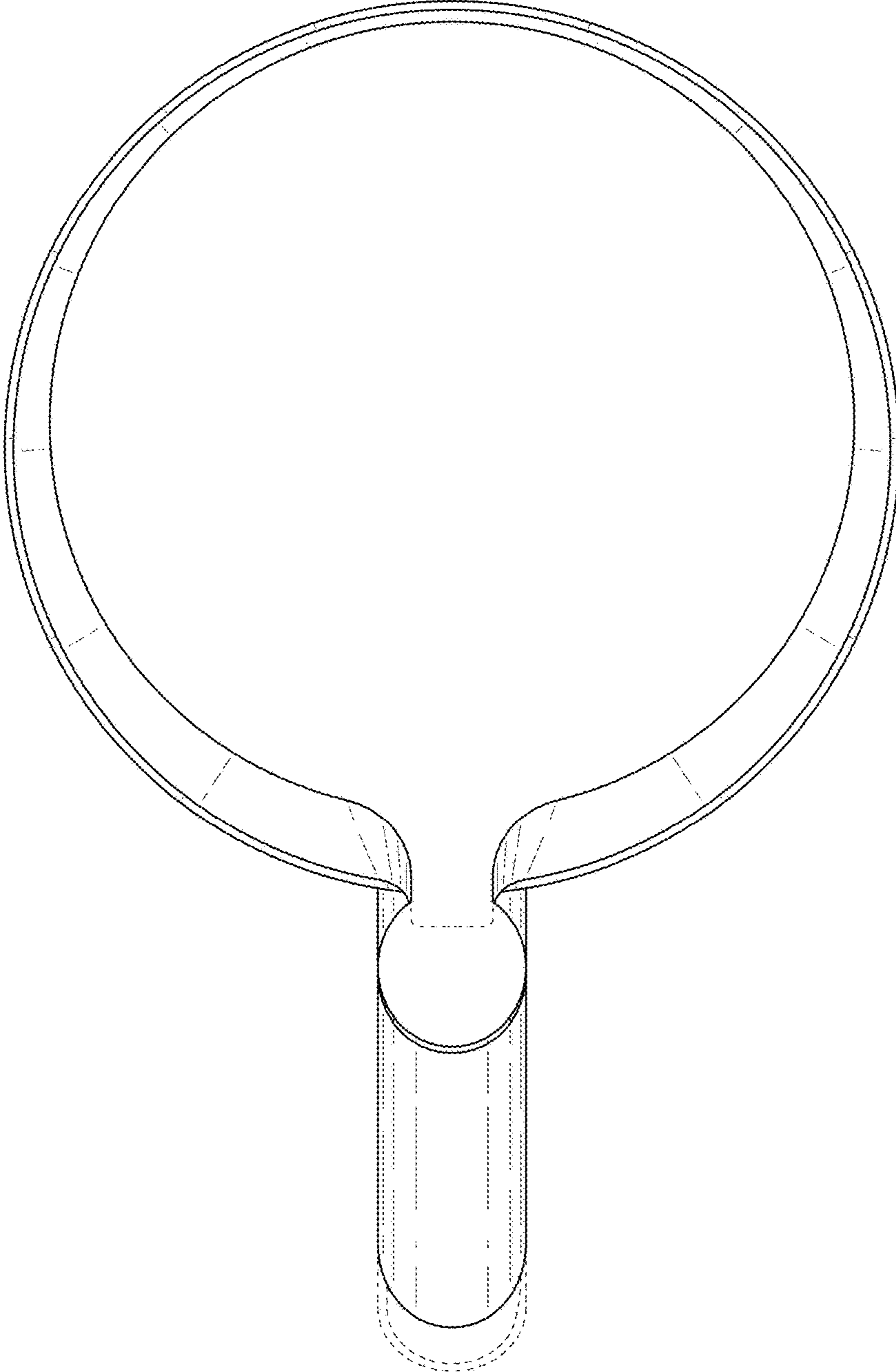


FIG. 8

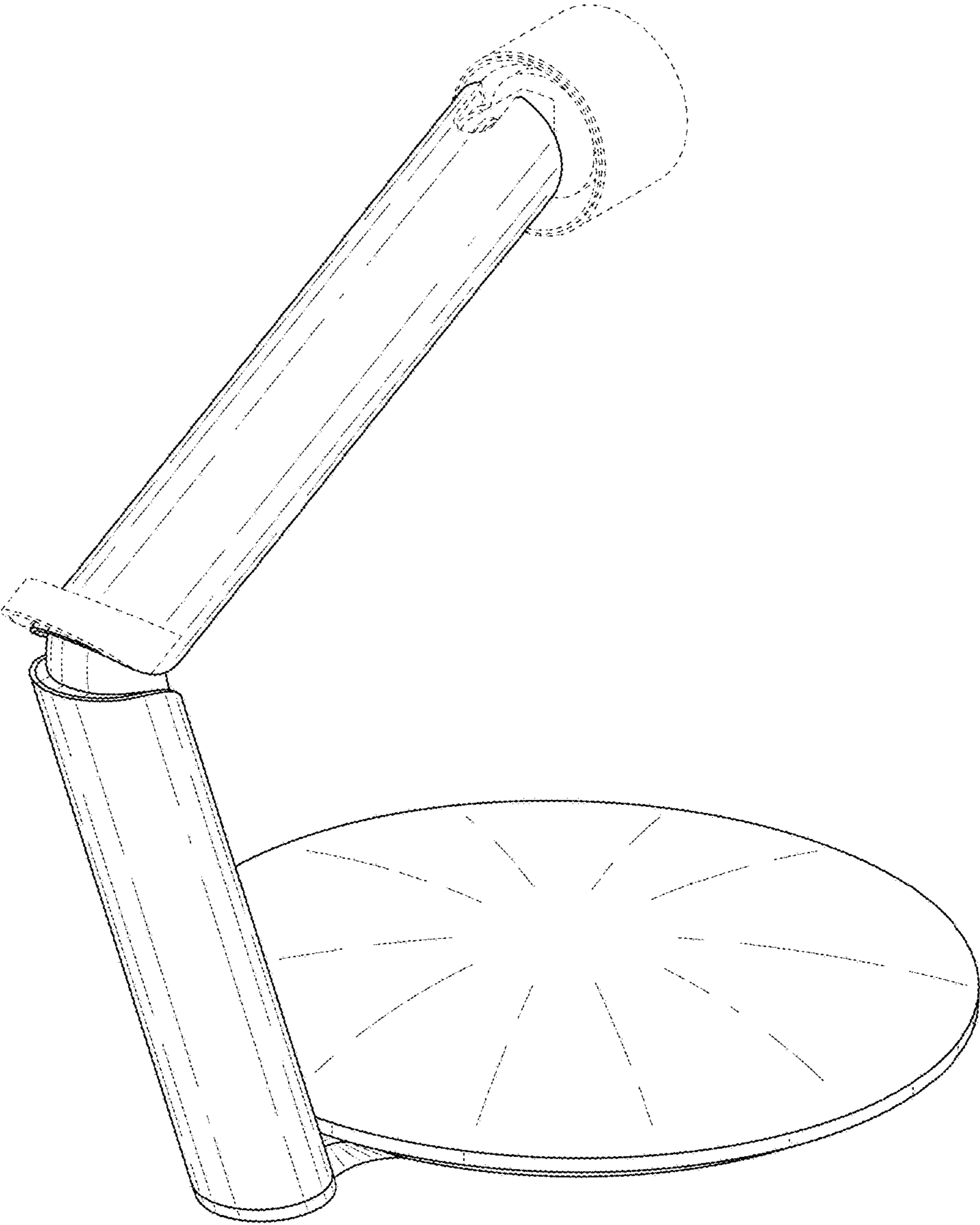


FIG. 9

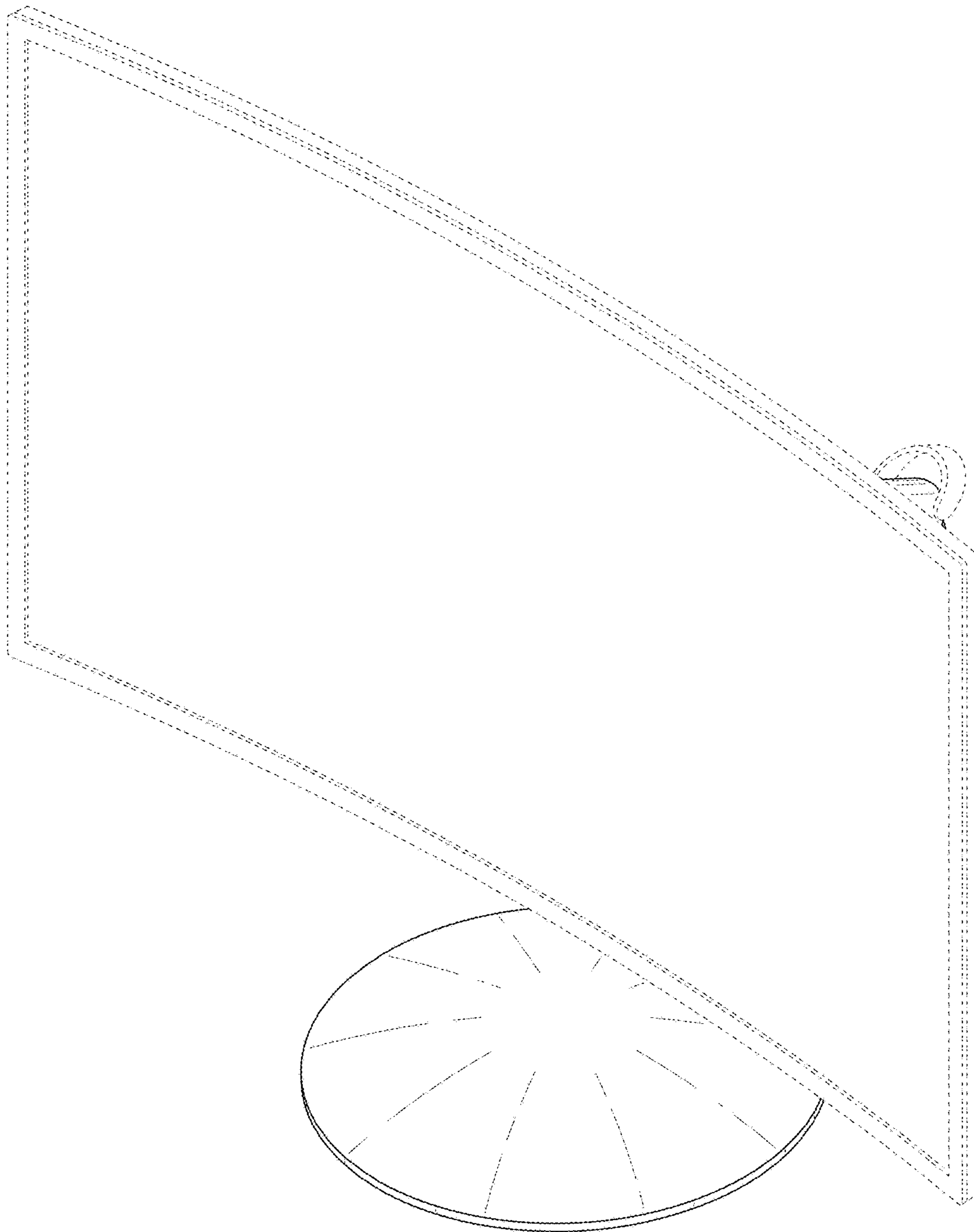


FIG. 10

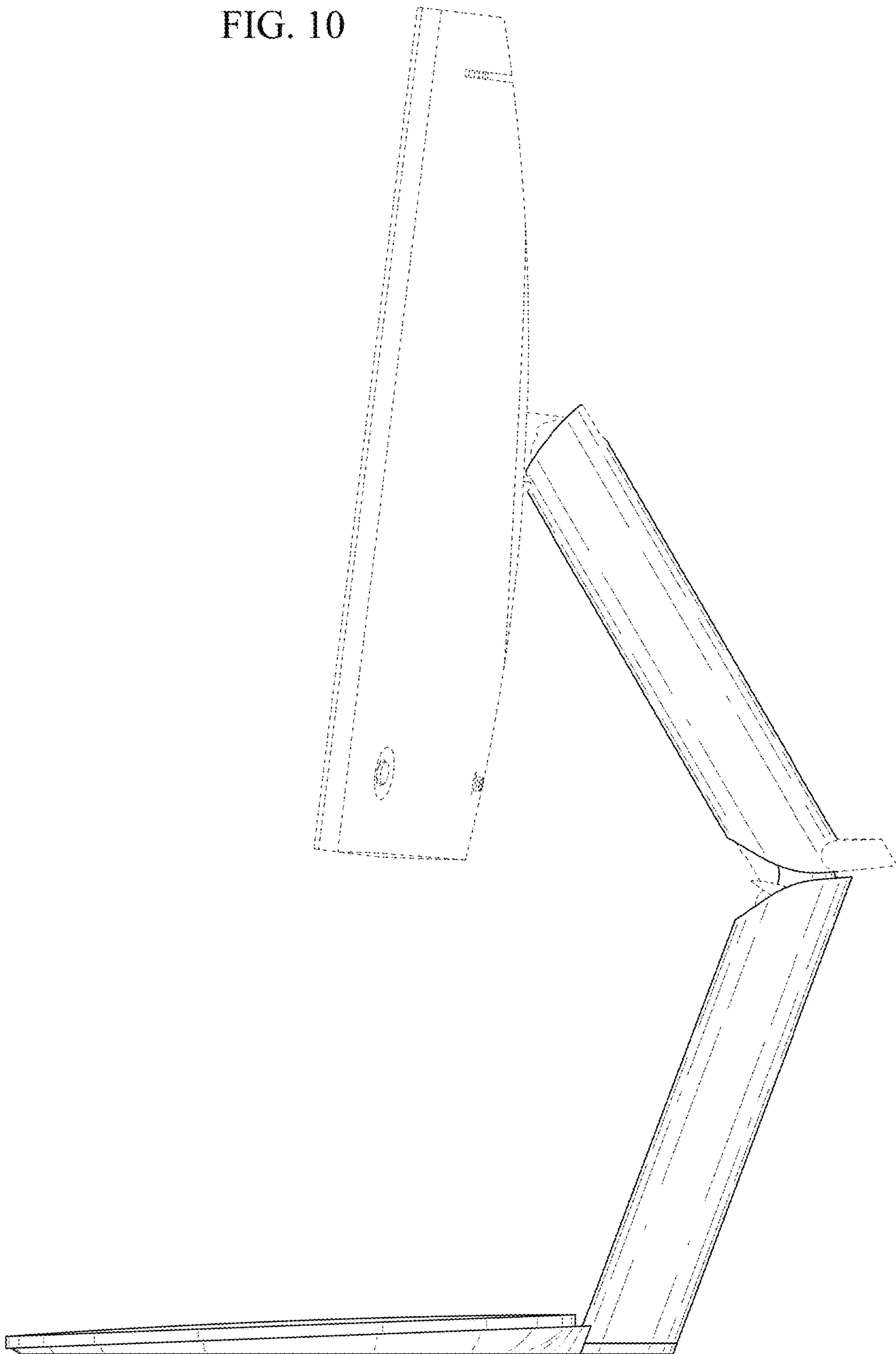


FIG. 11

