



US00D807893S

(12) **United States Design Patent** (10) **Patent No.:** **US D807,893 S**
Nelson et al. (45) **Date of Patent:** **** Jan. 16, 2018**

(54) **STAND FOR HANDHELD ELECTRONIC DEVICE**

(71) Applicant: **Mobile Tech, Inc.**, Lake Oswego, OR (US)

(72) Inventors: **Ed Nelson**, Hillsboro, OR (US); **Mitch Hose**, Hillsboro, OR (US); **Lincoln Wilde**, Hillsboro, OR (US); **Mike Miles**, Hillsboro, OR (US); **Kris Schatz**, Hillsboro, OR (US); **Travis Hooper**, Hillsboro, OR (US)

(73) Assignee: **Mobile Tech, Inc.**, Lake Oswego, OR (US)

(**) Term: **15 Years**

(21) Appl. No.: **29/605,791**

(22) Filed: **May 30, 2017**

(51) **LOC (11) Cl.** **08-07**

(52) **U.S. Cl.**
USPC **D14/447**

(58) **Field of Classification Search**
USPC D14/447, 432, 434, 439, 440, 451, 452, D14/457, 239; D8/363, 373, 380, 406.3, D8/406.4, 406.5, 406.6; D12/415
CPC A47B 21/04; A47B 2097/006; A47B 2097/005; A47B 2023/049; A45C 2011/002; A45C 2011/003; F16M 2200/00; F16M 13/00
See application file for complete search history.

(56) **References Cited**

U.S. PATENT DOCUMENTS

D309,307 S * 7/1990 Sigurdson 381/86
D337,333 S 7/1993 Turk
D495,536 S 9/2004 Lucht
D522,010 S 5/2006 Piazza et al.
D545,825 S * 7/2007 Richter D14/251

D545,826 S 7/2007 Richter
D562,331 S 2/2008 Li
D567,810 S 4/2008 Yeh
D576,615 S 9/2008 Richter
D587,188 S 2/2009 Mo
D589,964 S * 4/2009 Heggland D14/434
D594,251 S 6/2009 Leyden
D602,024 S 10/2009 Richter
D602,025 S 10/2009 Richter
D614,613 S * 4/2010 Kim D14/253
D619,586 S 7/2010 Richter
D620,038 S 7/2010 Rix
D629,405 S 12/2010 Crysell
D641,773 S 7/2011 Rix

(Continued)

FOREIGN PATENT DOCUMENTS

GB 4031459 8/2013
GB 4042068 7/2015

Primary Examiner — Angela J Lee

(74) *Attorney, Agent, or Firm* — Thompson Coburn LLP

(57) **CLAIM**

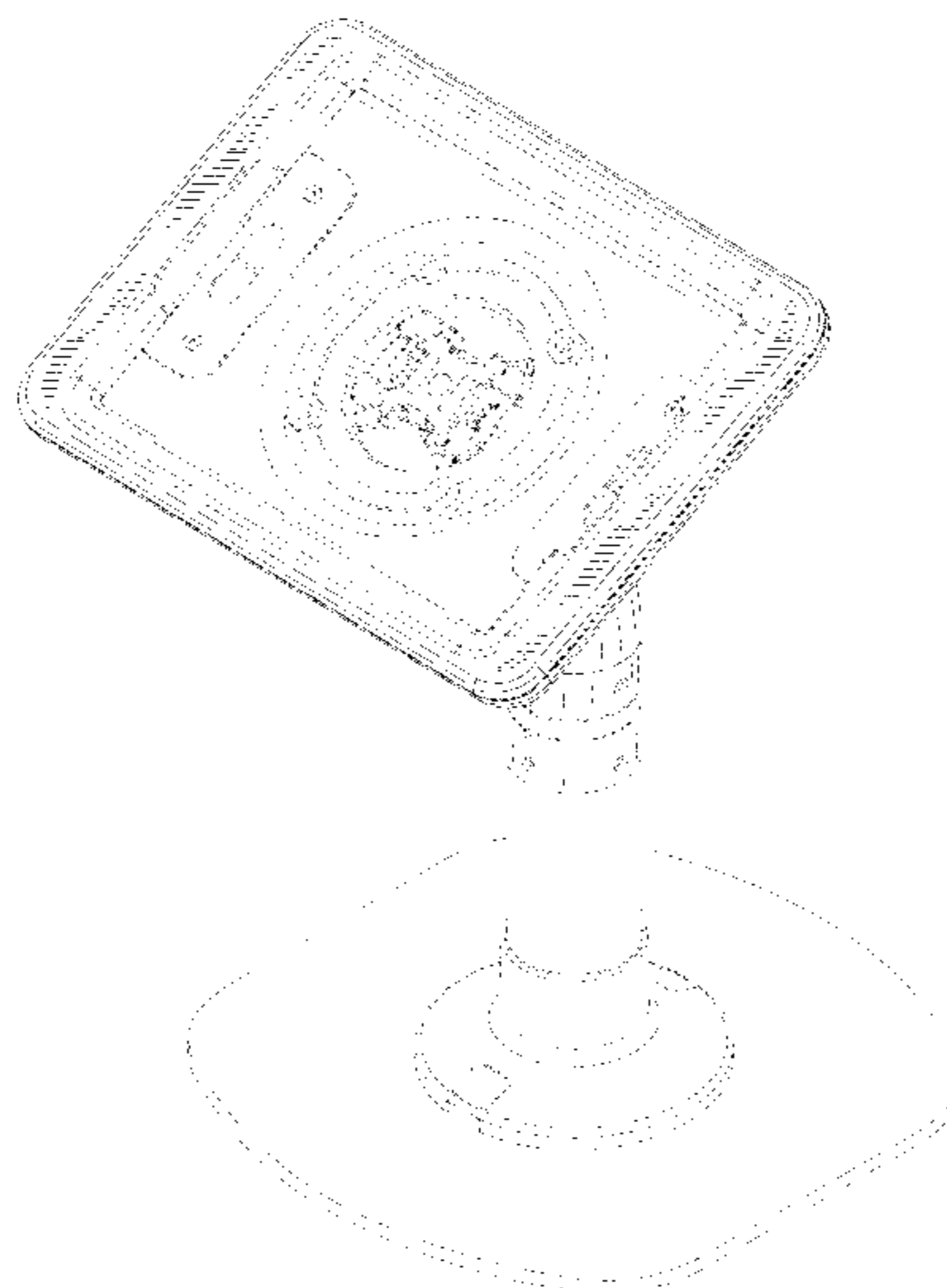
The ornamental design for a stand for handheld electronic device, as shown and described.

DESCRIPTION

FIG. 1 is a first perspective view of a stand for handheld electronic device showing my new design;
FIG. 2 is a second perspective view thereof;
FIG. 3 is a front view thereof;
FIG. 4 is a rear view thereof;
FIG. 5 is a left side view thereof;
FIG. 6 is a right side view thereof; and,
FIG. 7 is a top view thereof.

The broken lines immediately adjacent the shaded areas represent the bounds of the claimed design while all other broken lines are directed to environment and are for illustrative purposes only; the broken lines form no part of the claimed design.

1 Claim, 7 Drawing Sheets



(56)

References Cited

U.S. PATENT DOCUMENTS

D644,681 S	9/2011	Rix			
D663,306 S	7/2012	Barbieri			
D663,972 S	7/2012	Alexander et al.			
D671,545 S	11/2012	Guran			
D678,297 S *	3/2013	Willkomm	D14/447		
D686,216 S	7/2013	Hachadorian et al.			
D687,441 S	8/2013	Janzen			
D690,306 S	9/2013	Malisse et al.			
D691,150 S	10/2013	Stener			
D691,839 S	10/2013	Dallenbach			
D693,352 S	11/2013	Gelsomini et al.			
D696,674 S	12/2013	Vogel			
D704,156 S	5/2014	Lee et al.			
D704,713 S	5/2014	Liniger			
D709,066 S	7/2014	Byun			
D709,074 S *	7/2014	Tsui	D14/447		
					* cited by examiner
D724,072 S	3/2015	Jiang et al.			
D724,598 S *	3/2015	Gelsomini	D14/447		
D727,333 S	4/2015	Shih et al.			
D729,222 S	5/2015	Grziwok et al.			
D733,156 S	6/2015	Choi et al.			
D733,157 S	6/2015	Kim et al.			
D733,526 S *	7/2015	Delrue	D14/447		
D744,621 S	12/2015	Shavatt et al.			
D748,098 S	1/2016	Khodapanah et al.			
D749,080 S	2/2016	Su et al.			
D756,152 S	5/2016	Schwalbach et al.			
D771,614 S	11/2016	Chang			
D772,739 S *	11/2016	Browning	D10/74		
D774,037 S	12/2016	Kang et al.			
D792,413 S	7/2017	Floersch et al.			
D792,414 S *	7/2017	Floersch	D14/447		
2014/0059828 A1 *	3/2014	Reynolds	F16M 11/041 29/428		

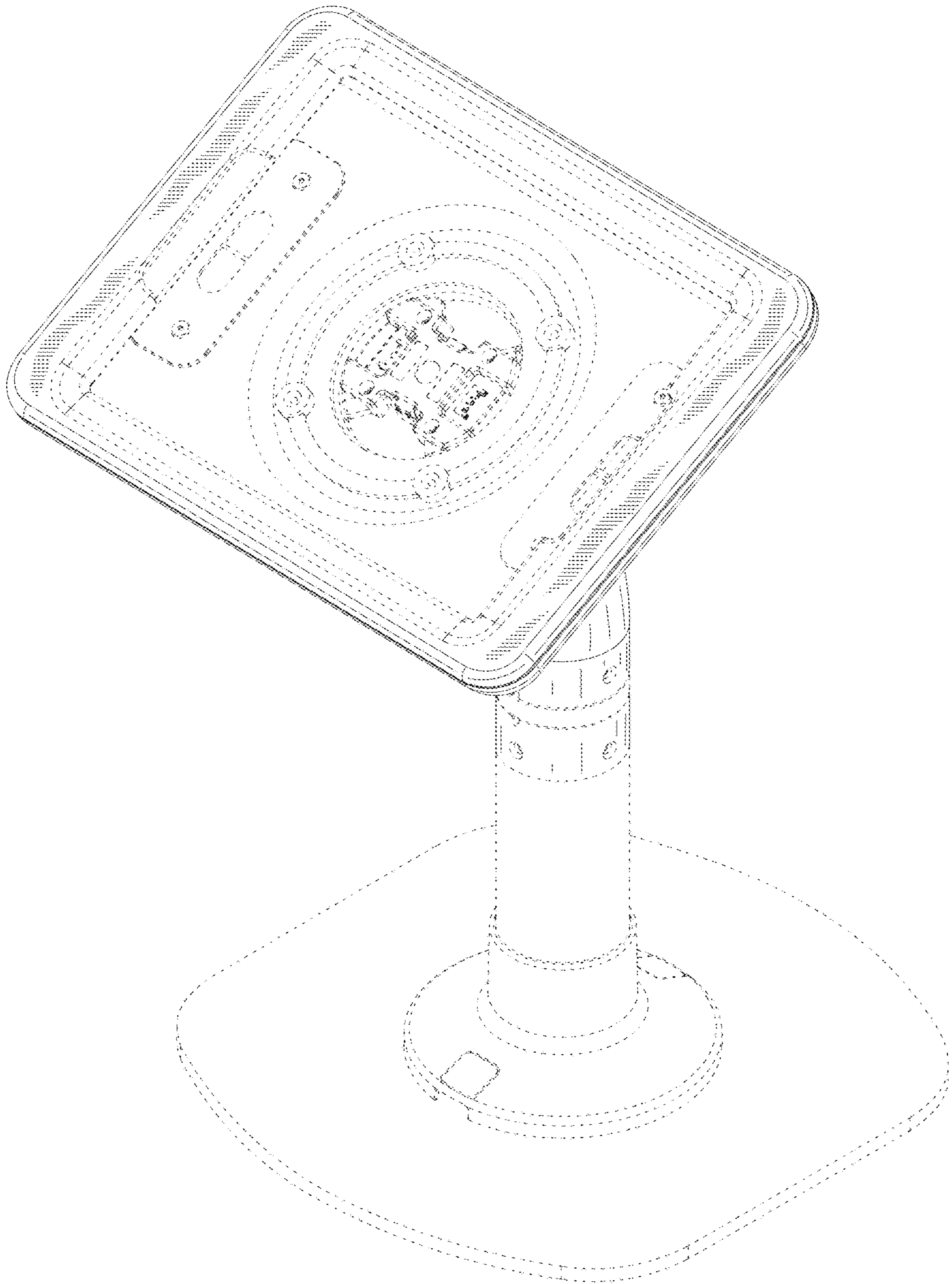


FIG. 1

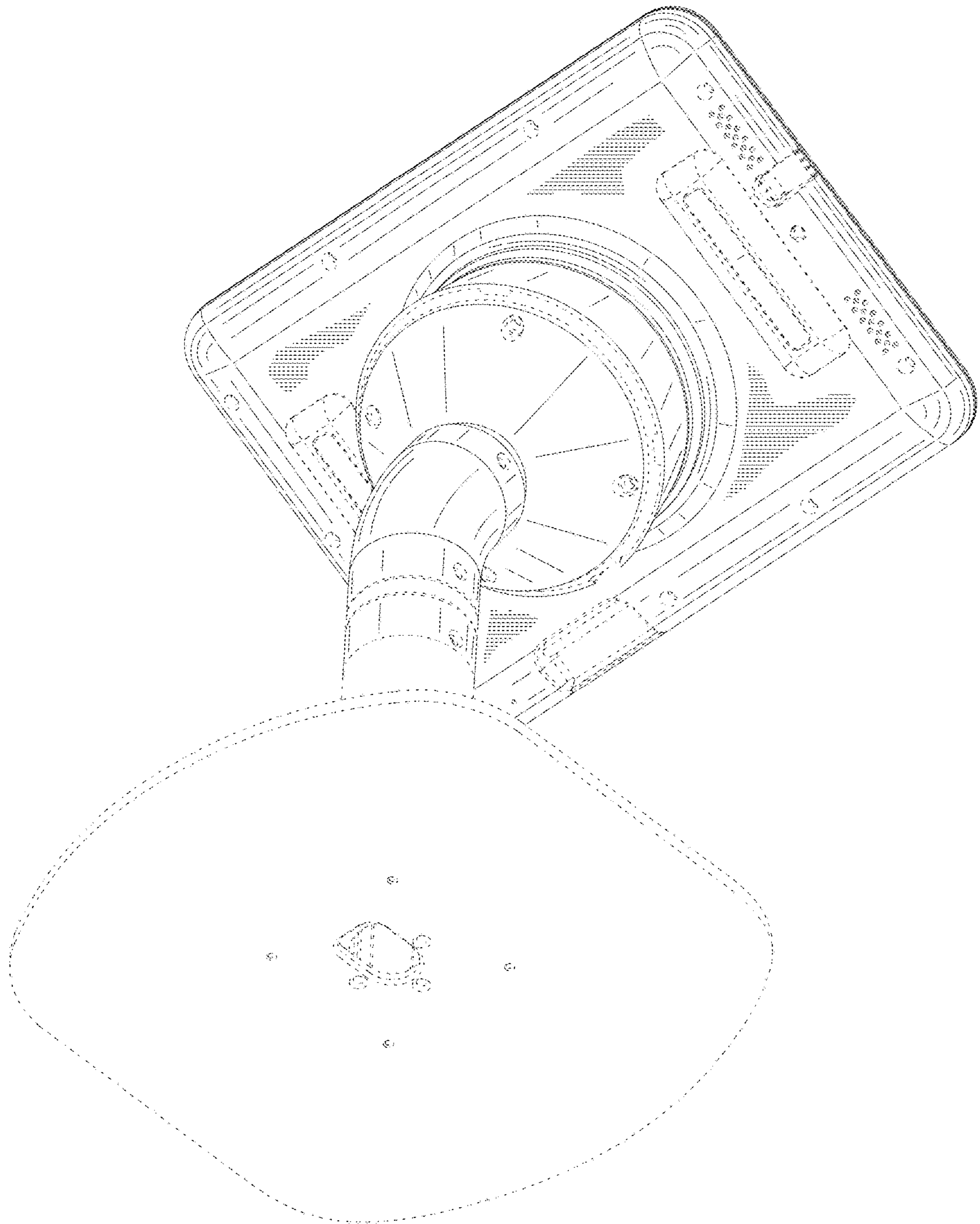


FIG. 2

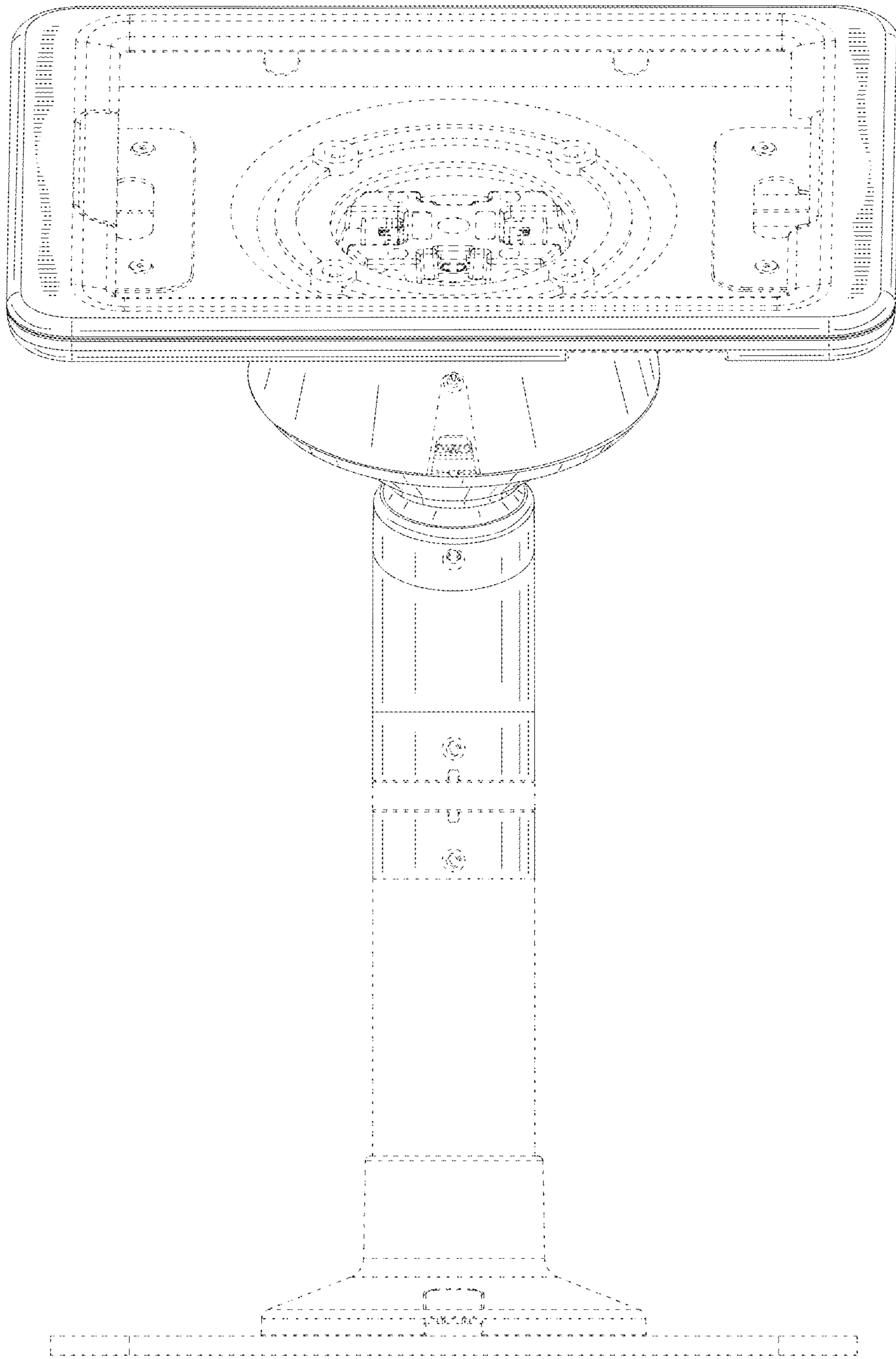


FIG. 3

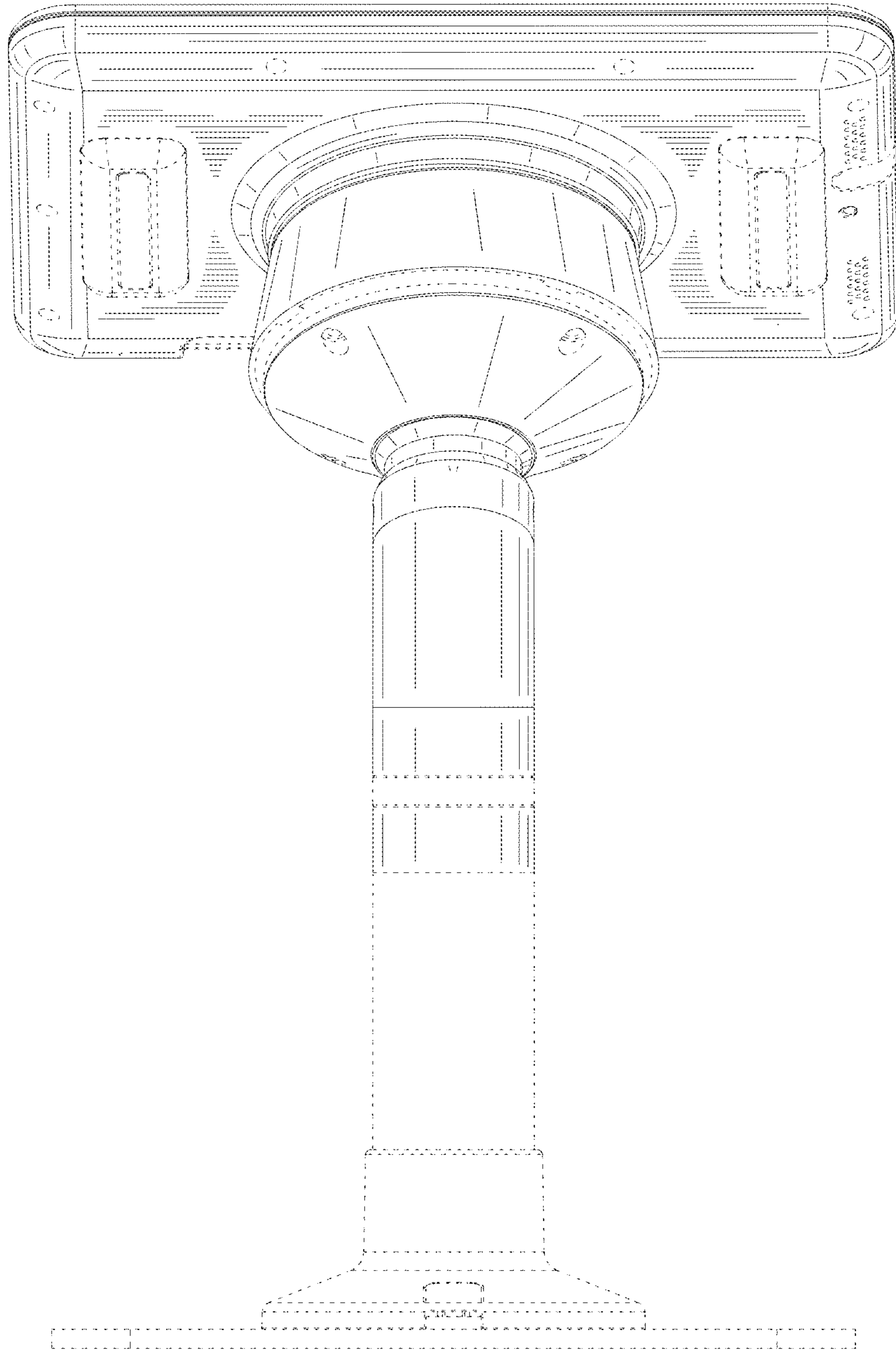


FIG. 4

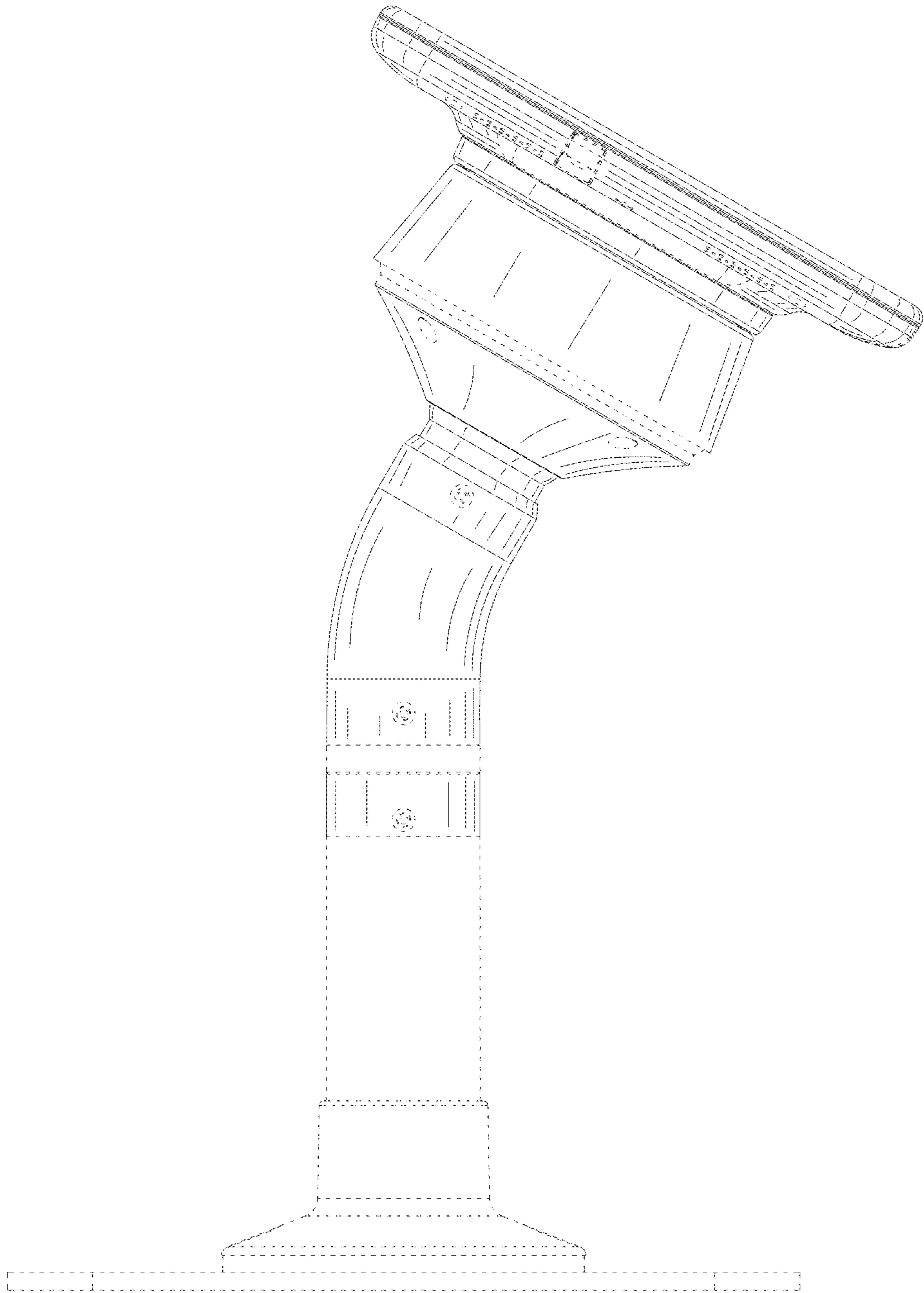


FIG. 5

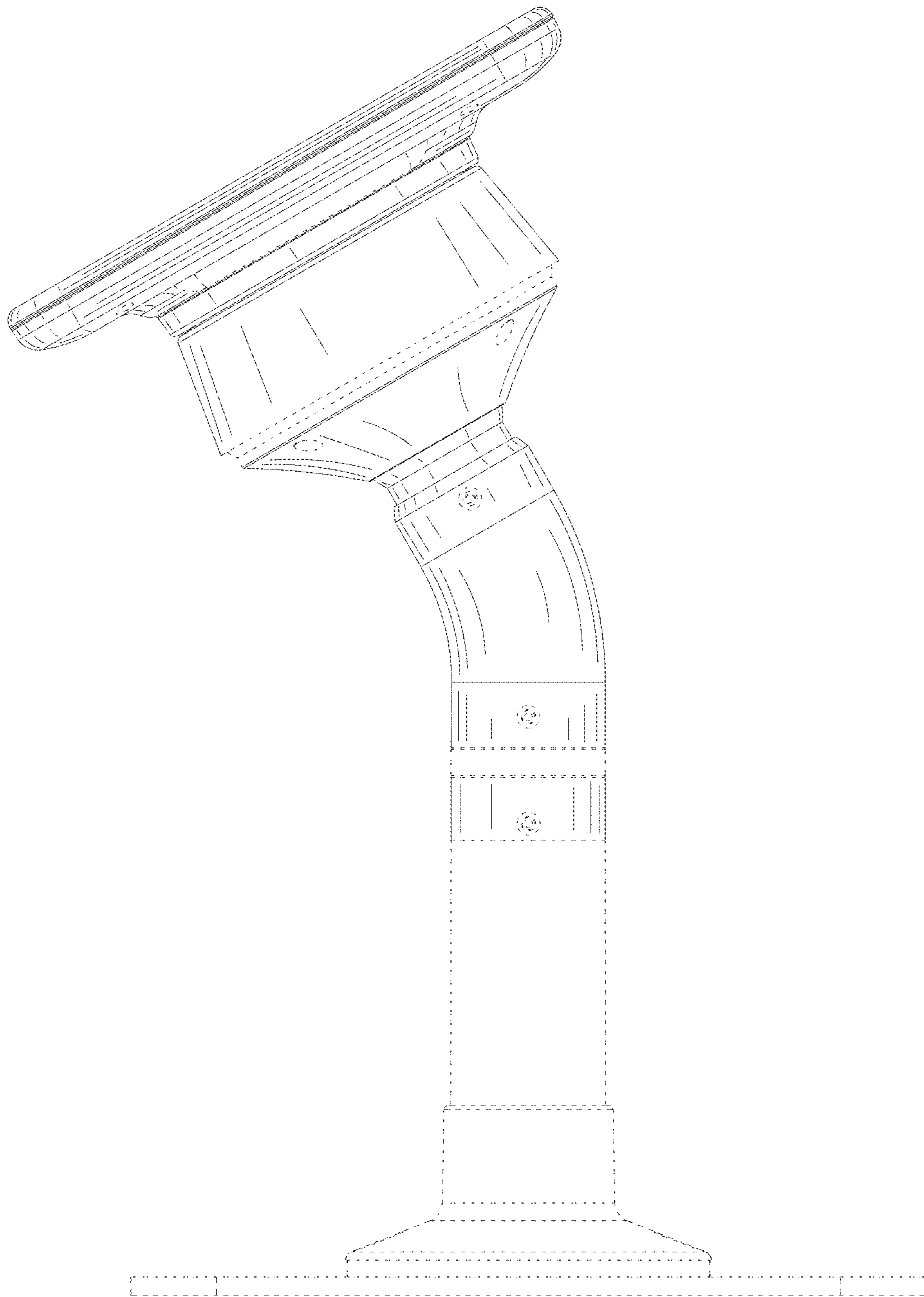


FIG. 6

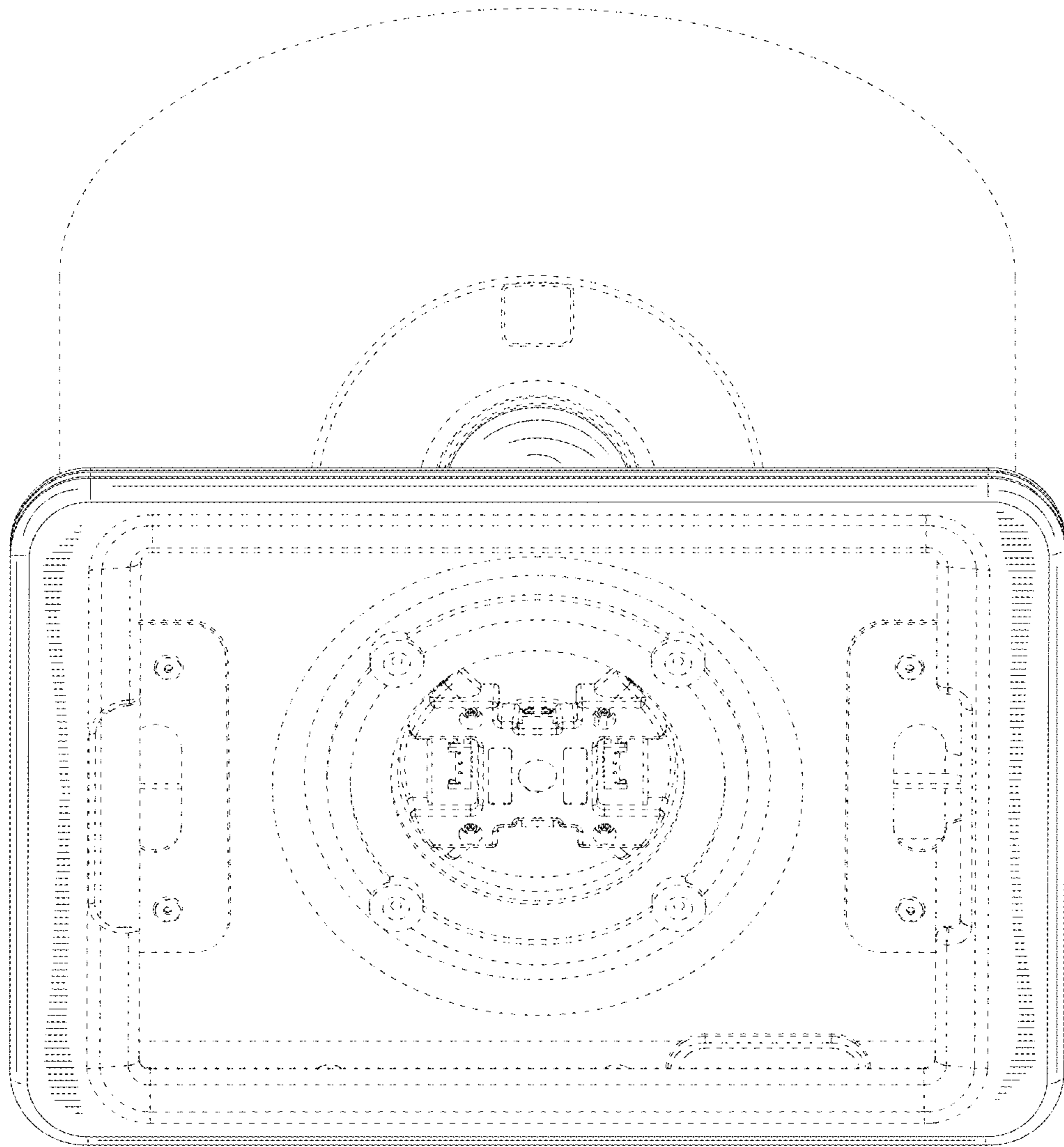


FIG. 7