

US00D807891S

(12) **United States Design Patent** (10) **Patent No.:** **US D807,891 S**
Yeo et al. (45) **Date of Patent:** **** Jan. 16, 2018**

(54) **COVER FOR AN ELECTRONIC DEVICE**

9,485,338 B2 * 11/2016 Balaji H04M 1/04
D783,589 S * 4/2017 Tattari D14/250
2012/0308981 A1 * 12/2012 Libin G09B 3/00
434/362

(71) Applicant: **Samsung Electronics Co., Ltd.**,
Suwon-si (KR)

(Continued)

(72) Inventors: **Jungmin Yeo**, Seoul (KR); **Minah Koh**, Seoul (KR); **Yunjin Kim**, Seoul (KR)

FOREIGN PATENT DOCUMENTS

EM 001348213-0001 11/2012

(73) Assignee: **Samsung Electronics Co., Ltd.**,
Suwon-si (KR)

OTHER PUBLICATIONS

(**) Term: **15 Years**

Reboon "Booncover Lifestyle Trailer 2015" [2015] www.youtube.com Jul. 6, 2015 <https://www.youtube.com/watch?v=05AwwllavD8>.

(21) Appl. No.: **29/584,588**

Primary Examiner — Cynthia Underwood

(22) Filed: **Nov. 16, 2016**

(74) *Attorney, Agent, or Firm* — NSIP Law

(30) **Foreign Application Priority Data**

(57) **CLAIM**

May 20, 2016 (KR) 30-2016-0024239

We claim the ornamental design for a cover for an electronic device, as shown and described.

(51) **LOC (11) Cl.** **14-02**

DESCRIPTION

(52) **U.S. Cl.**

USPC **D14/440**

(58) **Field of Classification Search**

USPC D14/440, 250, 447, 433, 434; 206/45.23,
206/320, 45.2; 361/679.55; 294/25;
224/218

CPC ... G06F 1/1628; G06F 1/1626; A47B 23/044;
H04B 1/3888

See application file for complete search history.

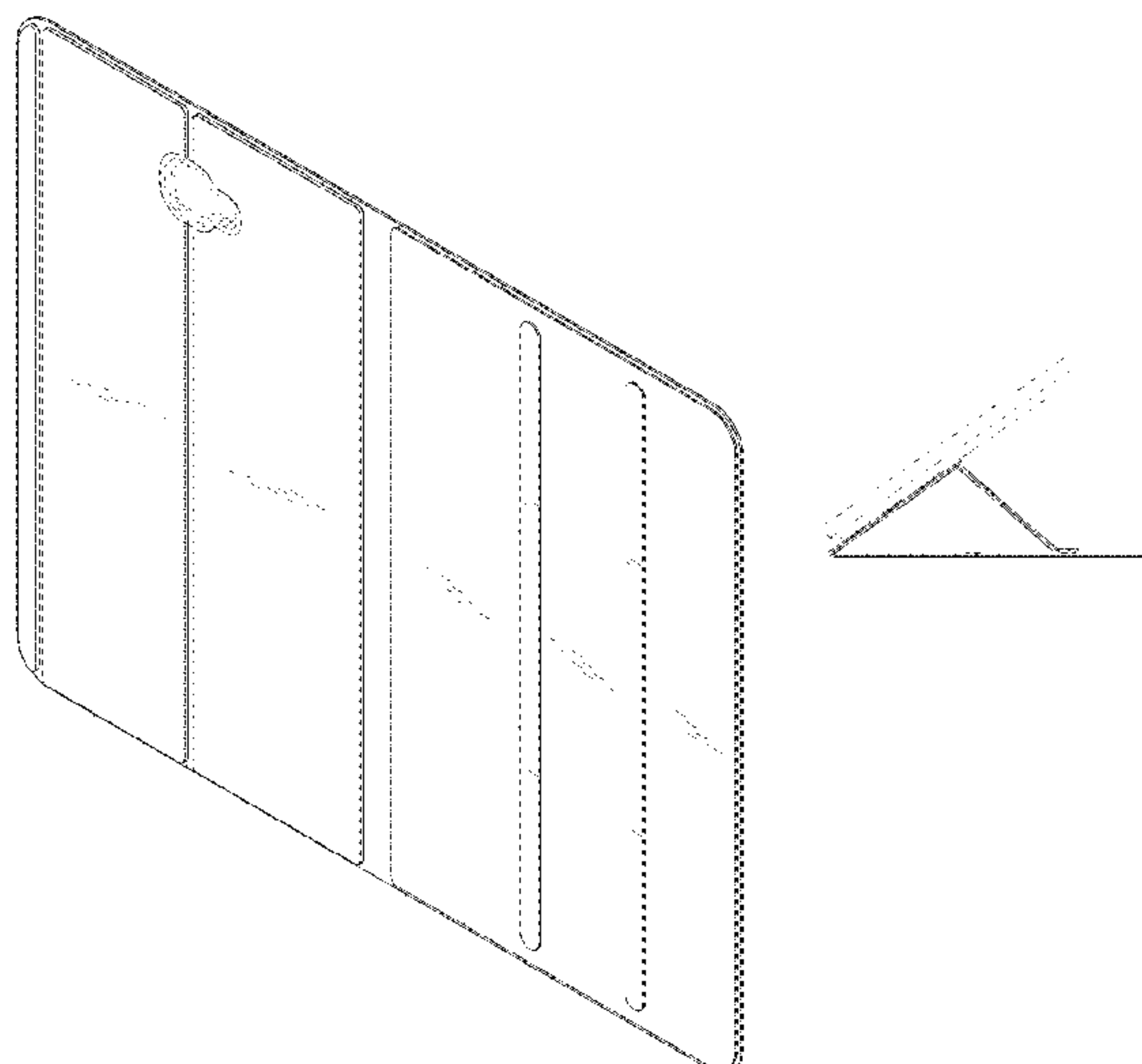
FIG. 1 is a front perspective view of a cover for an electronic device showing our new design;
FIG. 2 is a front view thereof;
FIG. 3 is a rear view thereof;
FIG. 4 is a left-side view thereof;
FIG. 5 is a right-side view thereof;
FIG. 6 is a top view thereof;
FIG. 7 is a bottom view thereof;
FIG. 8 is a rear perspective view thereof;
FIG. 9 is another bottom view thereof showing a folding state for mounting an electronic device; and,
FIG. 10 is another bottom view thereof showing another folding state for mounting an electronic device.
The broken lines in the figures depict environmental subject matter and form no part of the claimed design.
The dot-dash lines in the figures represent an unclaimed boundary line and form no part of the claimed design.

(56) **References Cited**

U.S. PATENT DOCUMENTS

D700,186 S * 2/2014 Feng D14/447
D707,229 S * 6/2014 Almodova D14/440
D726,193 S * 4/2015 Kim D14/440
D727,916 S * 4/2015 Melmon D14/440
D727,919 S * 4/2015 Melmon D14/440
D748,635 S 2/2016 Hsu et al.
D762,218 S * 7/2016 Sirichai D14/440
D770,457 S * 11/2016 Massucco D14/440

1 Claim, 7 Drawing Sheets



(56)

References Cited

U.S. PATENT DOCUMENTS

2013/0140203 A1* 6/2013 Chiang G06F 1/1628
206/320
2013/0241381 A1* 9/2013 Hyncek H05K 5/0217
312/240

* cited by examiner

FIG.1

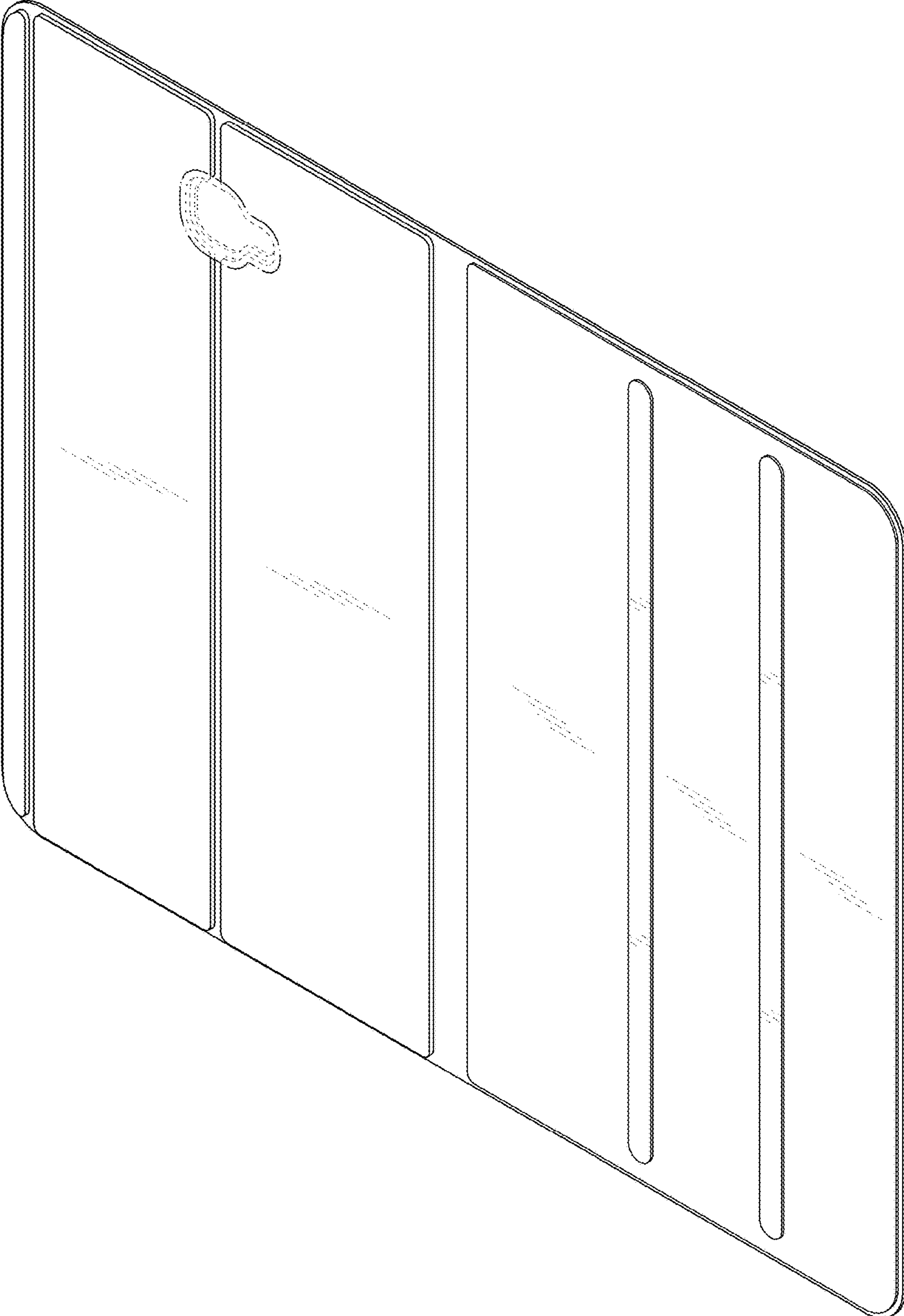


FIG.2

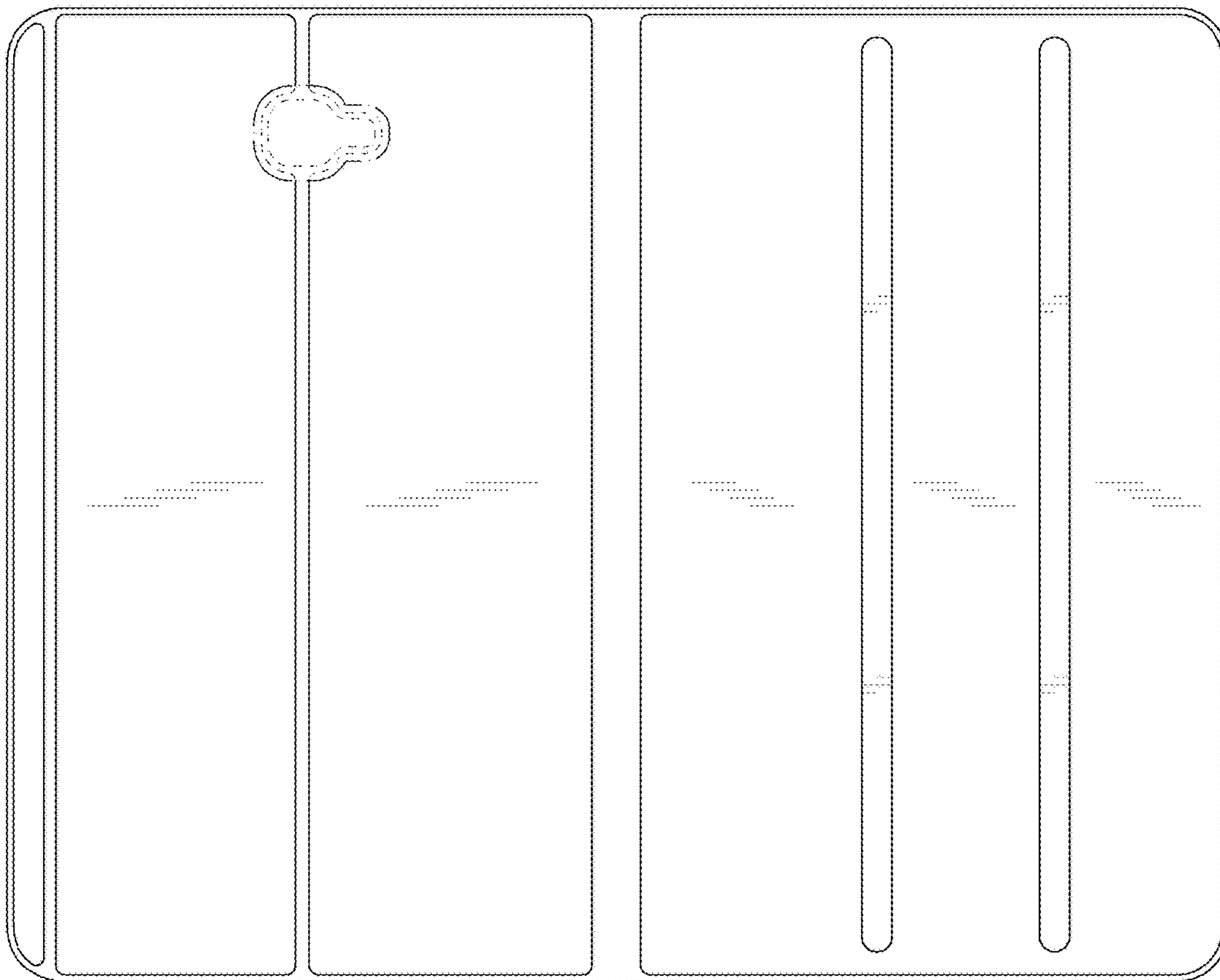


FIG.3

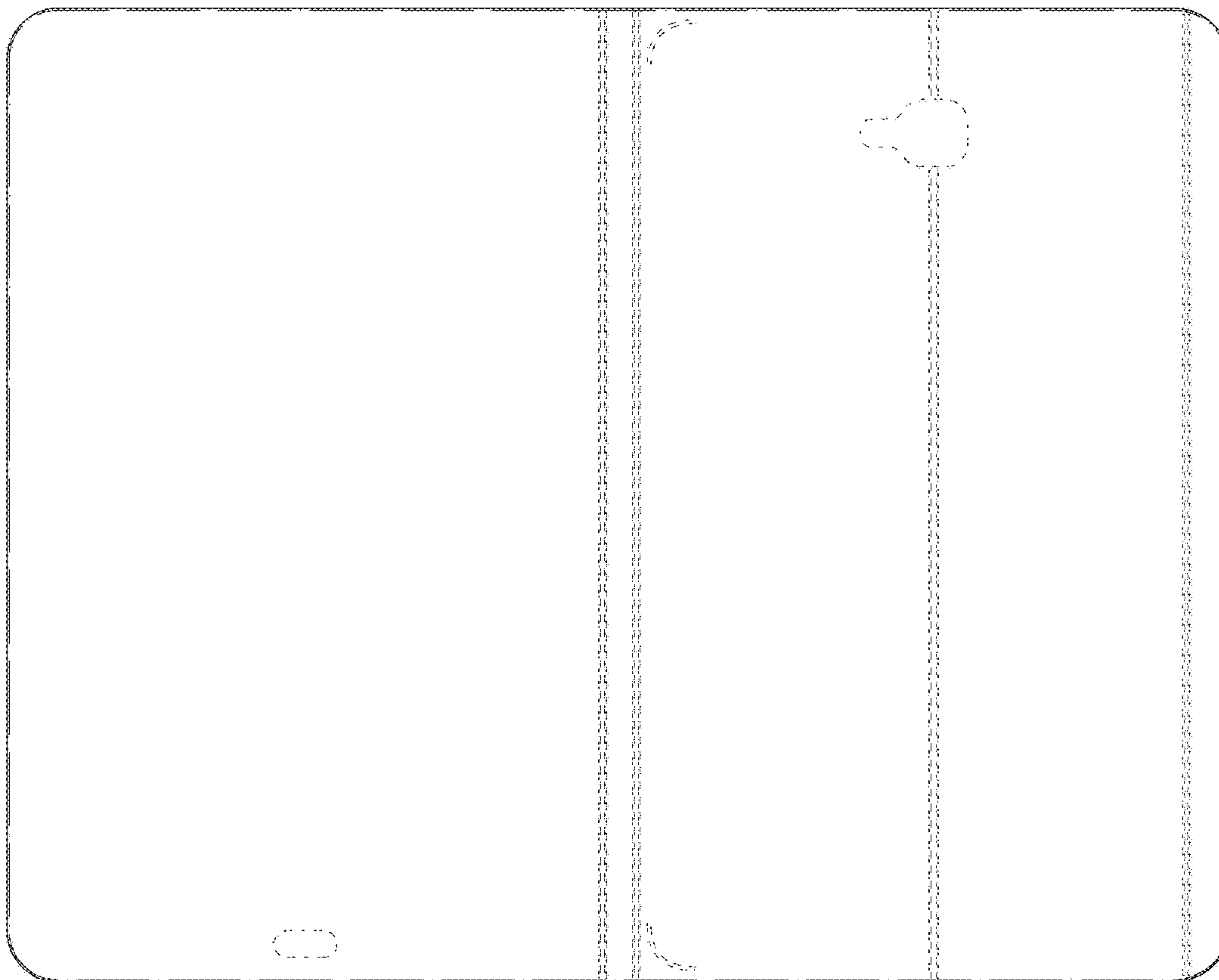


FIG.4



FIG.5



FIG.6



FIG.7

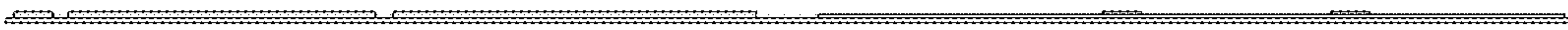


FIG.8

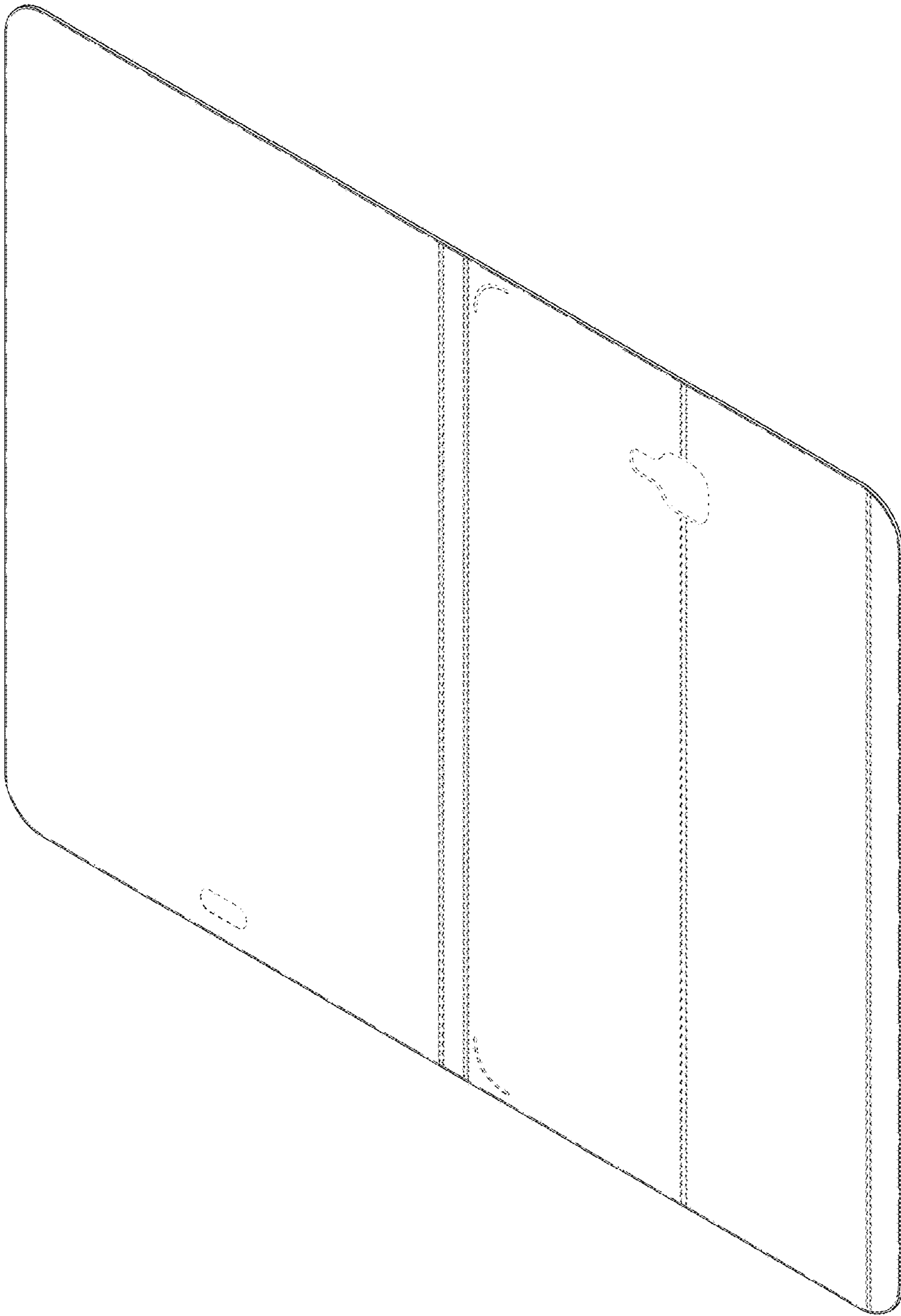


FIG.9

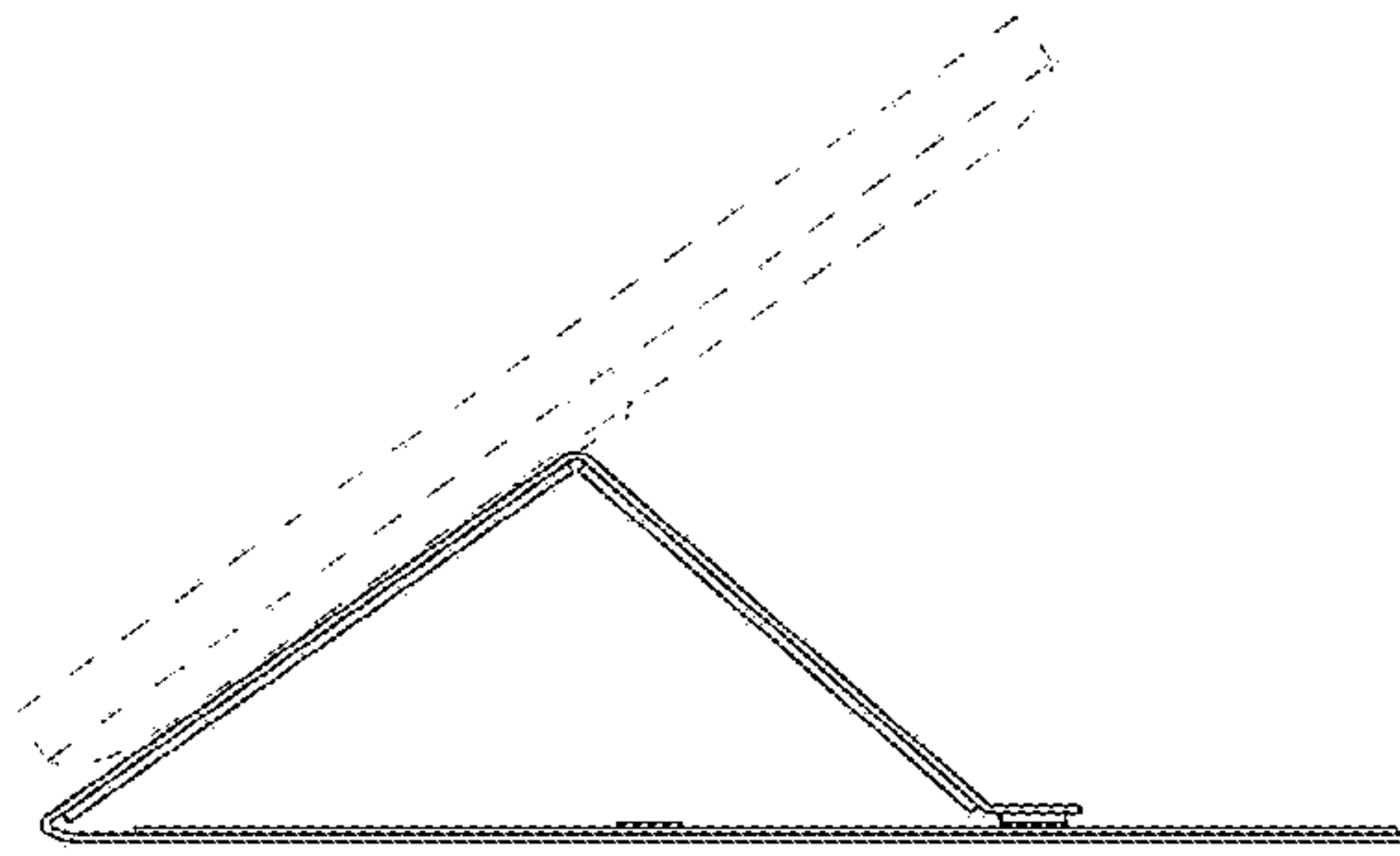


FIG.10

