



US00D807890S

(12) **United States Design Patent** (10) **Patent No.:** **US D807,890 S**
Roberts et al. (45) **Date of Patent:** **** Jan. 16, 2018**

- (54) **ELECTRONIC DEVICE COVER**
- (71) Applicant: **TECH 21 LICENSING LIMITED**,
Twickenham (GB)
- (72) Inventors: **Jason Roberts**, Twickenham (GB);
Wilhelm Marschall, London (GB);
Benjamin Thorpe, London (GB)
- (73) Assignee: **TECH 21 LICENSING LIMITED**,
Twickenham, Middlesex (GB)
- (**) Term: **15 Years**
- (21) Appl. No.: **29/580,567**
- (22) Filed: **Oct. 11, 2016**
- (30) **Foreign Application Priority Data**
- May 12, 2016 (EM) 003125434
- (51) **LOC (11) Cl.** **14-02**
- (52) **U.S. Cl.**
- USPC **D14/440**; D8/356
- (58) **Field of Classification Search**
- USPC D14/440, 250, 447, 433, 434; 206/45.23,
206/320, 45.2; 361/679.55; 294/25;
224/218
- CPC ... G06F 1/1628; G06F 1/1626; A47B 23/044;
H04B 1/3888
- See application file for complete search history.

- (56) **References Cited**
- U.S. PATENT DOCUMENTS
- 4,968,010 A * 11/1990 Odobasic B60G 11/48
267/140.11
- 5,413,502 A * 5/1995 Wang H01R 24/46
439/314
- D423,621 S * 4/2000 Holtby D21/791

- D654,348 S * 2/2012 Musselman D8/349
- D672,353 S * 12/2012 Liu D14/440
- D676,448 S * 2/2013 Gorman D14/440
- D709,509 S * 7/2014 Kim D14/440
- D729,252 S * 5/2015 Smith D14/440
- D774,877 S * 12/2016 Gonzalez D8/356
- D779,435 S * 2/2017 Callahan H02G 3/12
D13/139.4
- D789,186 S * 6/2017 Sakai D8/374
- D791,457 S * 7/2017 Membreno D2/969
- 2010/0230301 A1 * 9/2010 Fellig H04B 1/3888
206/232

* cited by examiner

Primary Examiner — Cynthia Underwood
 (74) *Attorney, Agent, or Firm* — Stephen J. Weyer, Esq.;
 Stites & Harbison, PLLC

(57) **CLAIM**

The ornamental design for an electronic device cover, as shown and described.

DESCRIPTION

This application is related to co-pending U.S. Ser. No. 29/580,592 and U.S. Ser. No. 29/580,599, filed on the same day as this application, both herein incorporated by reference.

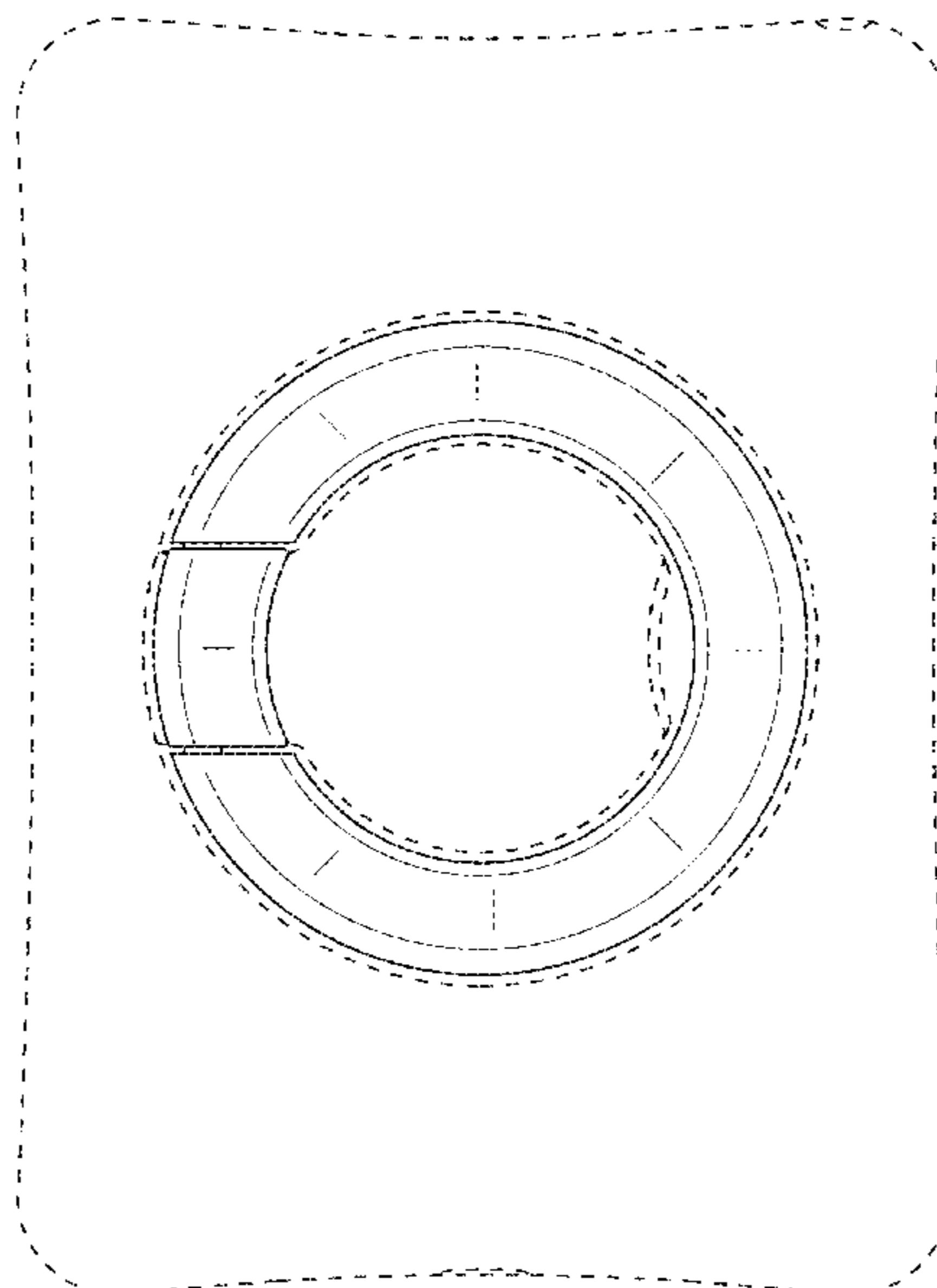
FIG. 1 is a rear elevation view of the electronic device cover of the present design.

FIG. 2 is a rear elevation view thereof, shown applied to a specific device cover in accordance with a specific species of the present design; and,

FIG. 3 is a perspective view thereof taken from the top, left and rear thereof, shown applied to a specific device cover in accordance with a specific species of the present design.

Portions drawn in broken lines in the figures represent environmental aspects of how the design is applied but form no part of the claimed design.

1 Claim, 3 Drawing Sheets



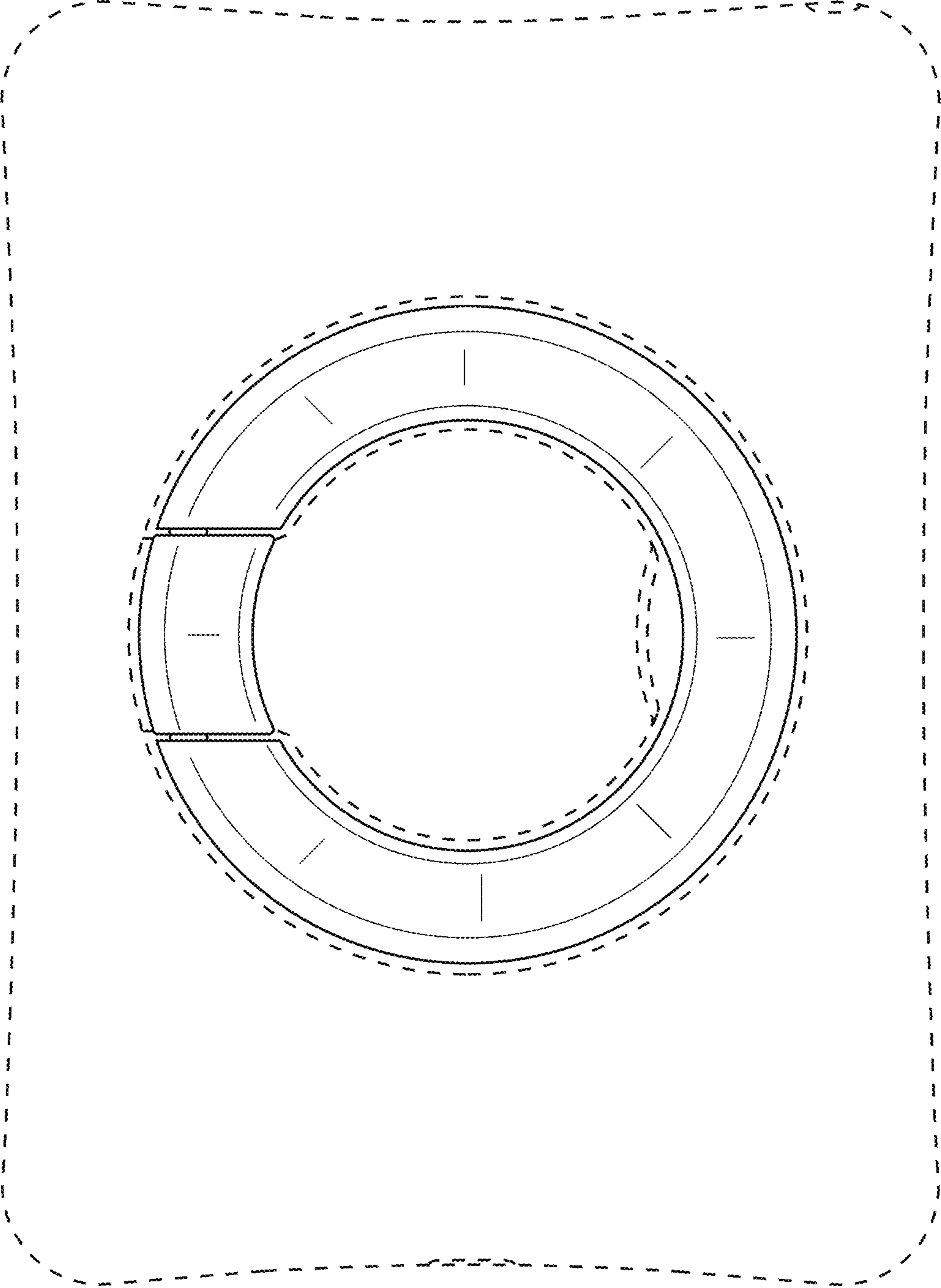


FIG. 1

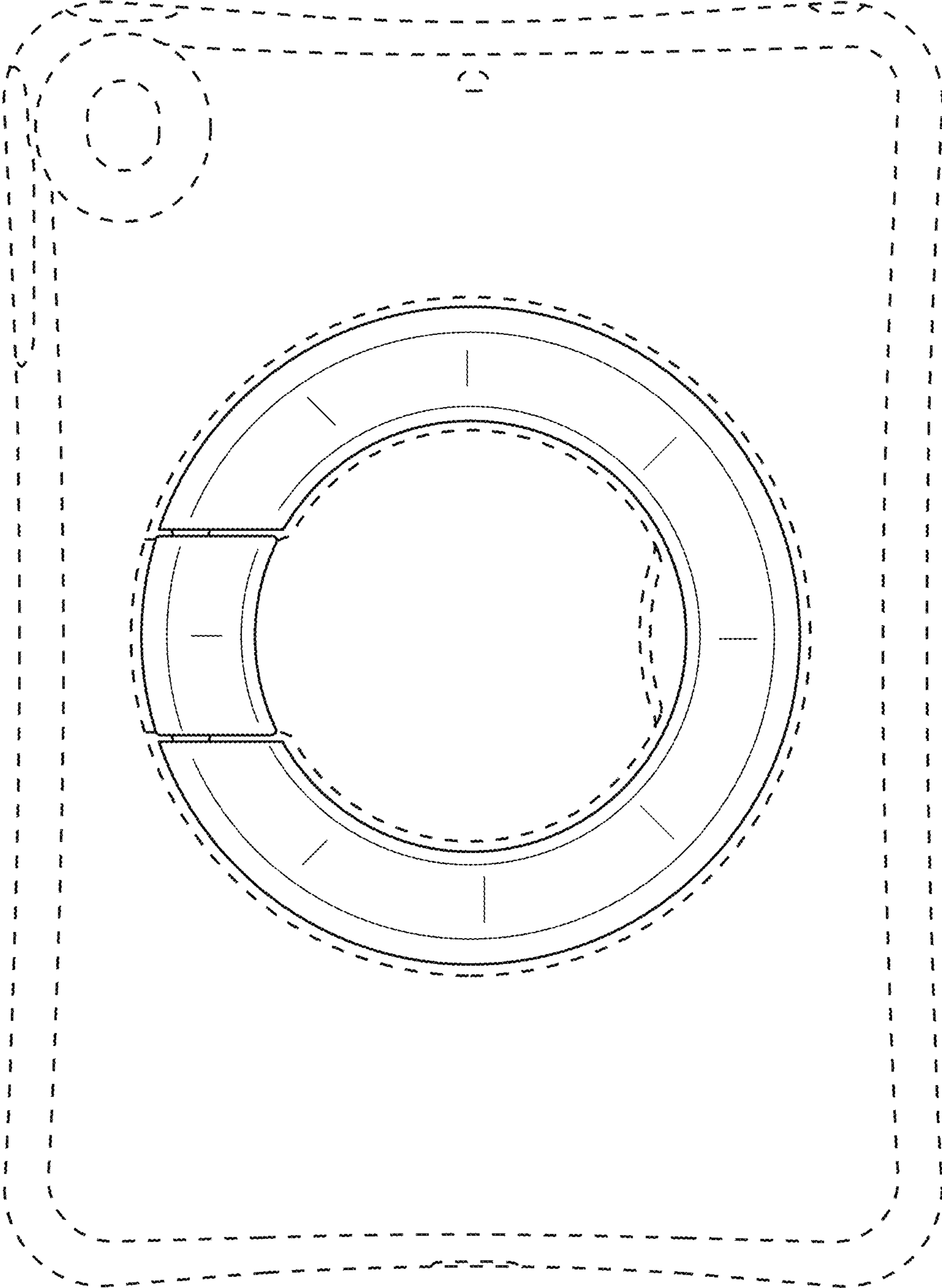


FIG. 2

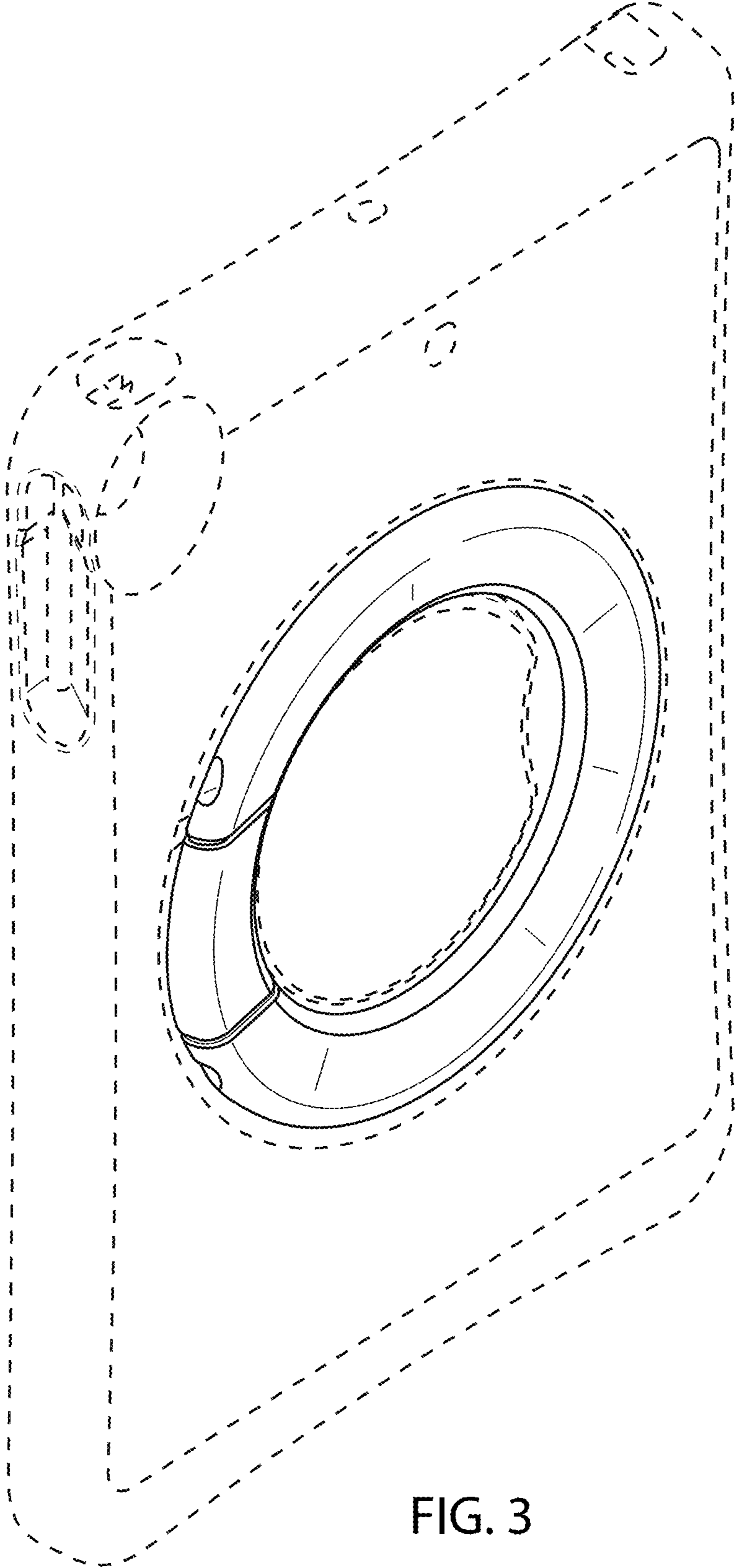


FIG. 3