



US00D807888S

(12) **United States Design Patent** (10) **Patent No.:** **US D807,888 S**
Nguyen et al. (45) **Date of Patent:** **** Jan. 16, 2018**

(54) **TABLET COVER**
(71) Applicant: **Hewlett-Packard Development Company, L.P.**, Houston, TX (US)
(72) Inventors: **Michael Nguyen**, Houston, TX (US); **Mark A. Peterson**, Houston, TX (US); **Kevin J. Broussard**, Houston, TX (US); **Scott Gregory**, Houston, TX (US)
(73) Assignee: **Hewlett-Packard Development Company, L.P.**, Houston, TX (US)
(**) Term: **15 Years**
(21) Appl. No.: **29/558,266**
(22) Filed: **Mar. 16, 2016**
(51) **LOC (11) Cl.** **14-02**
(52) **U.S. Cl.**
USPC **D14/440**
(58) **Field of Classification Search**
USPC D14/440, 250, 447; 206/45.23, 320, 206/45.2; 361/679.55; 294/25; 224/218
CPC ... G06F 1/1628; G06F 1/1626; A47B 23/044; H04B 1/3888
See application file for complete search history.

(56) **References Cited**
U.S. PATENT DOCUMENTS
D638,414 S * 5/2011 Magness D14/250
D660,305 S * 5/2012 Ho D14/447
D692,432 S * 10/2013 Liu D14/440
D701,211 S * 3/2014 Ng D14/440
D712,412 S * 9/2014 Bleau D14/440
8,863,953 B1 * 10/2014 Fager B65D 71/14
206/320
D725,115 S * 3/2015 Glanzer D14/440

D725,119 S * 3/2015 Gaylord D14/440
D726,732 S * 4/2015 Lay D14/440
D732,543 S * 6/2015 Westrup D14/447
D733,154 S * 6/2015 Armstrong D14/440
D747,321 S * 1/2016 London D14/440
D749,069 S * 2/2016 Senoff D14/251
D749,083 S * 2/2016 Senoff D14/451
D749,559 S * 2/2016 Senoff D14/251
D757,731 S * 5/2016 Nguyen D14/440
D759,658 S * 6/2016 Lai D14/440
D763,853 S * 8/2016 Pearce D14/440
2011/0031287 A1 * 2/2011 Le Gette F16M 11/04
224/101
2012/0075799 A1 * 3/2012 Pollex F16M 11/041
361/679.56
2014/0015493 A1 1/2014 Wirz

* cited by examiner

Primary Examiner — Cynthia Underwood
(74) *Attorney, Agent, or Firm* — Foley & Lardner

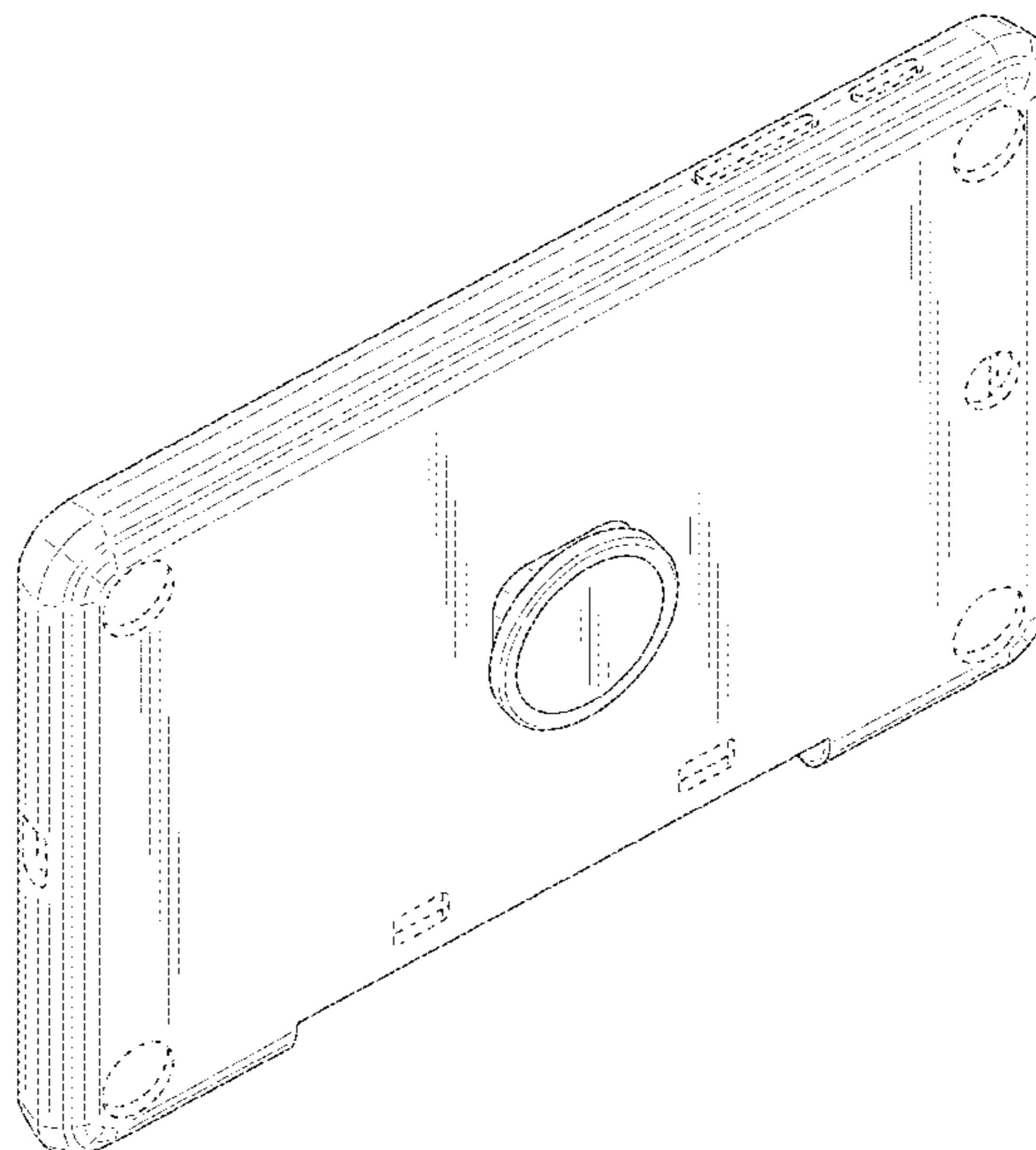
(57) **CLAIM**

We claim the ornamental design for a tablet cover, as shown and described.

DESCRIPTION

FIG. 1 is a top, rear, right isometric view of the claimed design according to a first embodiment; FIG. 2 is a rear elevational view thereof; FIG. 3 is a front elevational view thereof; FIG. 4 is a left side elevational view thereof; FIG. 5 is a right side elevational view thereof; FIG. 6 is a top plan view thereof; and, FIG. 7 is a bottom plan view thereof. The ornamental design which is claimed is shown in solid lines in the drawings. The broken lines formed by dashes show unclaimed subject matter and form no part of the claimed design.

1 Claim, 7 Drawing Sheets



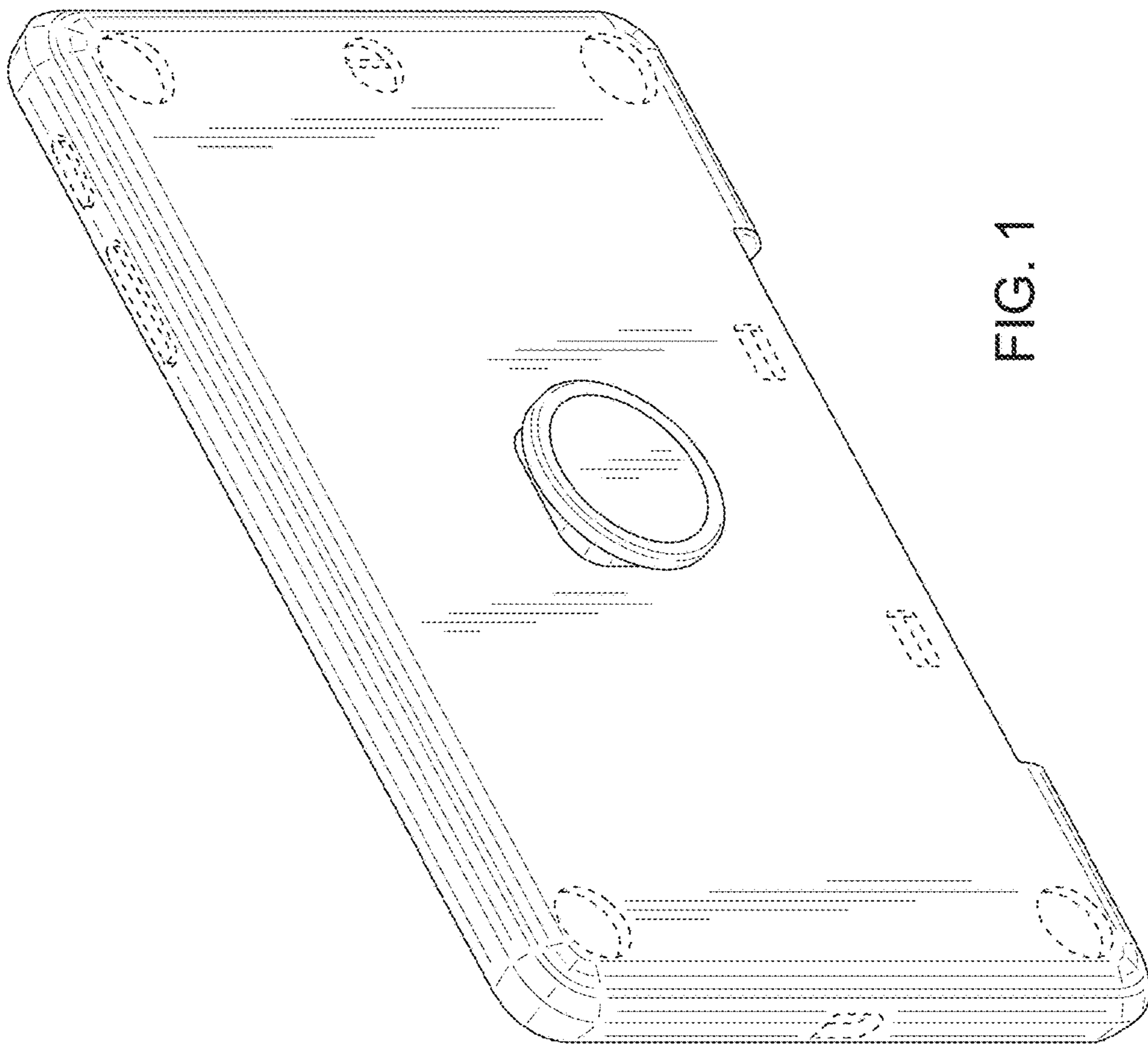


FIG. 1

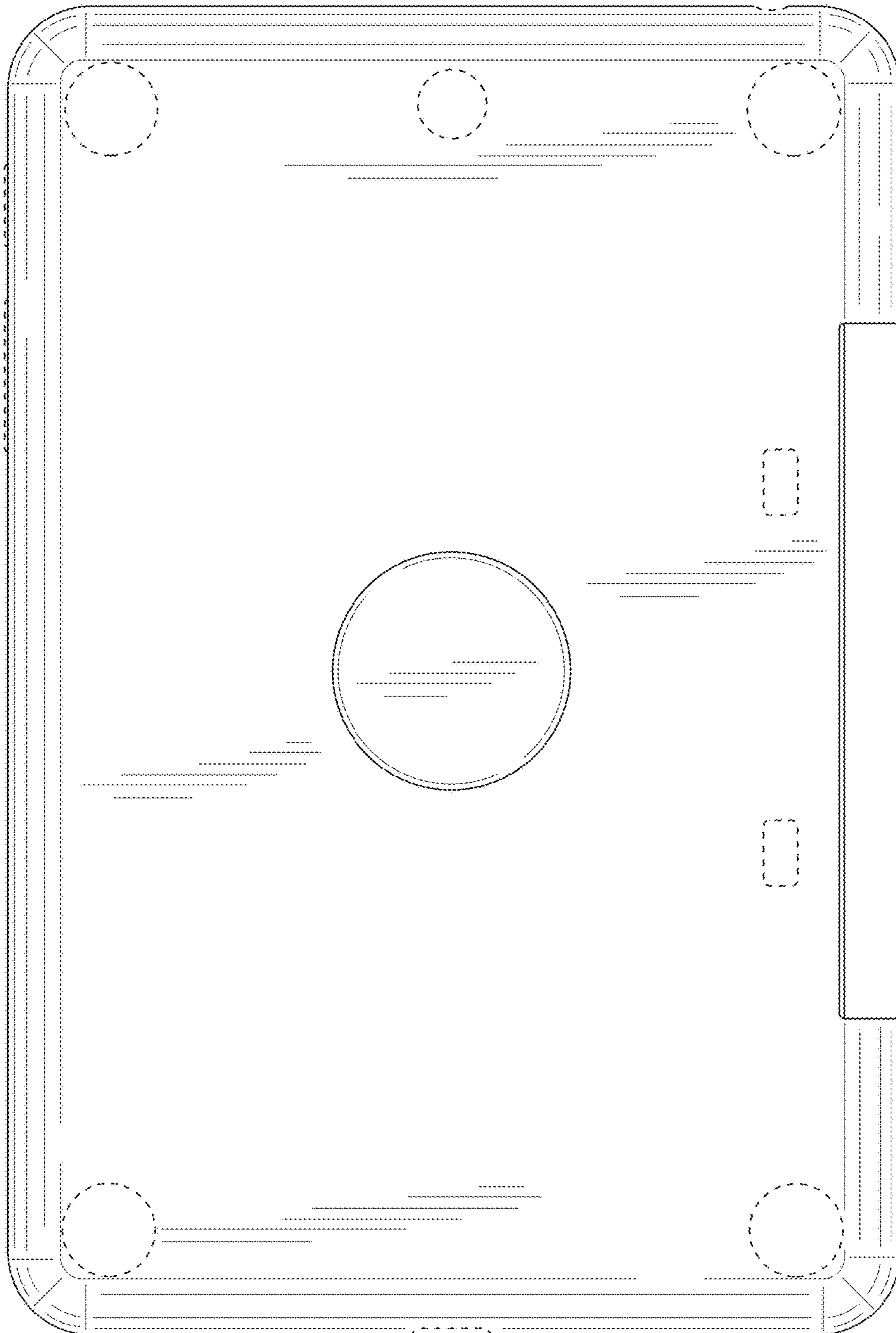


FIG. 2

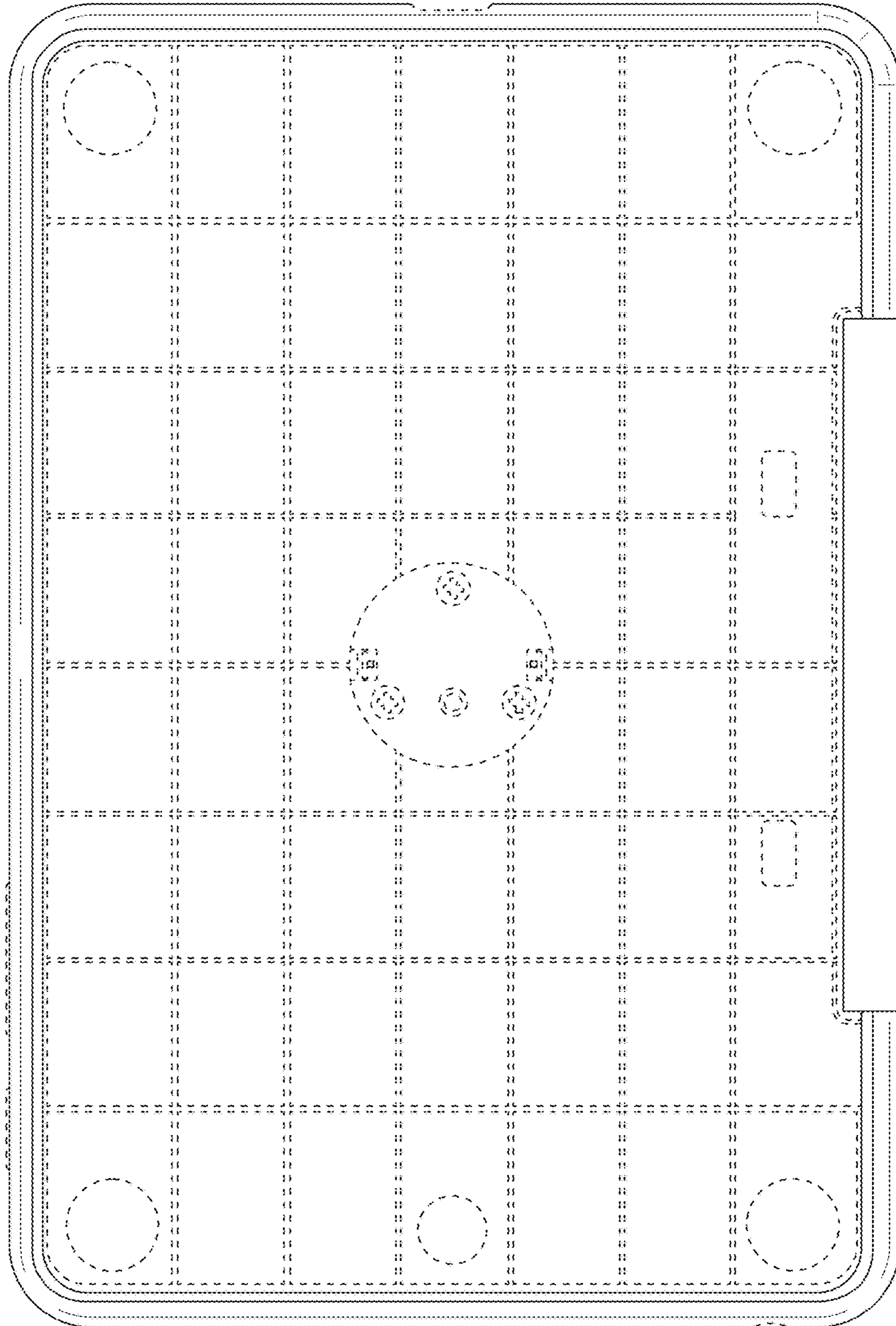


FIG. 3

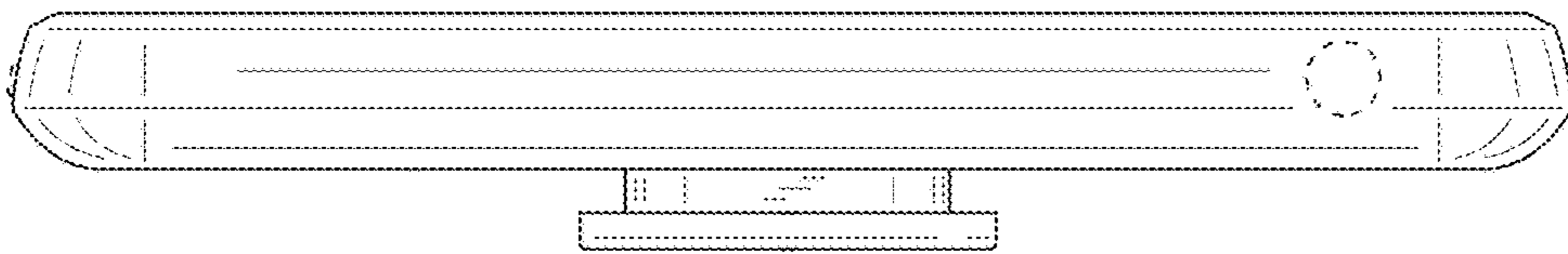


FIG. 4



FIG. 5

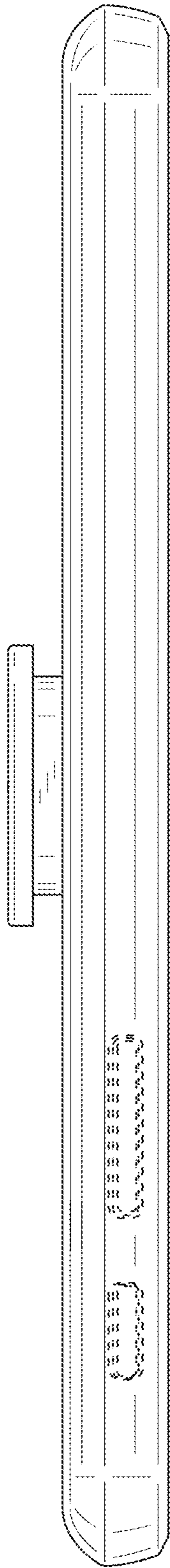


FIG. 6

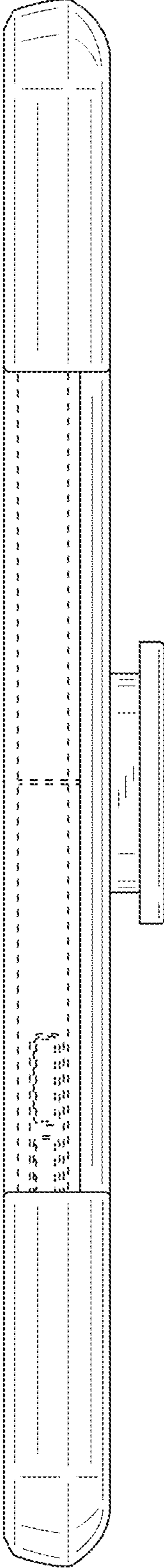


FIG. 7