



US00D807887S

(12) **United States Design Patent**
Hama et al.

(10) **Patent No.:** **US D807,887 S**
(45) **Date of Patent:** **** Jan. 16, 2018**

(54) **SCANNER**

(71) Applicant: **SEIKO EPSON CORPORATION,**
Tokyo (JP)

(72) Inventors: **Yoriko Hama,** Chino (JP); **Ayumu Nakamura,** Matsumoto (JP);
Yoshikazu Nagai, Shiojiri (JP)

(73) Assignee: **SEIKO EPSON CORPORATION,**
Tokyo (JP)

(**) Term: **15 Years**

(21) Appl. No.: **29/566,574**

(22) Filed: **Jun. 1, 2016**

(30) **Foreign Application Priority Data**

Dec. 24, 2015 (JP) 2015-028662
Dec. 24, 2015 (JP) 2015-028663

(51) **LOC (11) Cl.** **14-02**

(52) **U.S. Cl.**
USPC **D14/422**

(58) **Field of Classification Search**
USPC D14/420-425, 462-470, 356, 389, 399,
D14/496, 125, 240; D18/49-55, 36-39,
D18/12, 14, 18-21, 54.4
CPC H04N 2201/0081; H04N
2201/0091-2201/0094; H04N 1/00; H04N
1/12; H04N 1/00013; H04N 1/00015;
H04N 1/00018; H04N 1/00564; H04N
1/00551; H04N 1/00588; H04N 1/00615;
G03G 15/0142; G03G 15/60

See application file for complete search history.

(56) **References Cited**

U.S. PATENT DOCUMENTS

D295,416 S * 4/1988 Glaberson D14/422
D339,576 S * 9/1993 Sawada D14/462

D340,232 S * 10/1993 Yoshida D14/422
D345,353 S * 3/1994 Dietrich D14/462
D370,008 S * 5/1996 Cheng D14/422

(Continued)

FOREIGN PATENT DOCUMENTS

JP 1491379 S 3/2014
JP 2017039607 A * 2/2017 H04N 1/00795

Primary Examiner — Susan Bennett Hattan

Assistant Examiner — Marie D. Fast Horse

(57) **CLAIM**

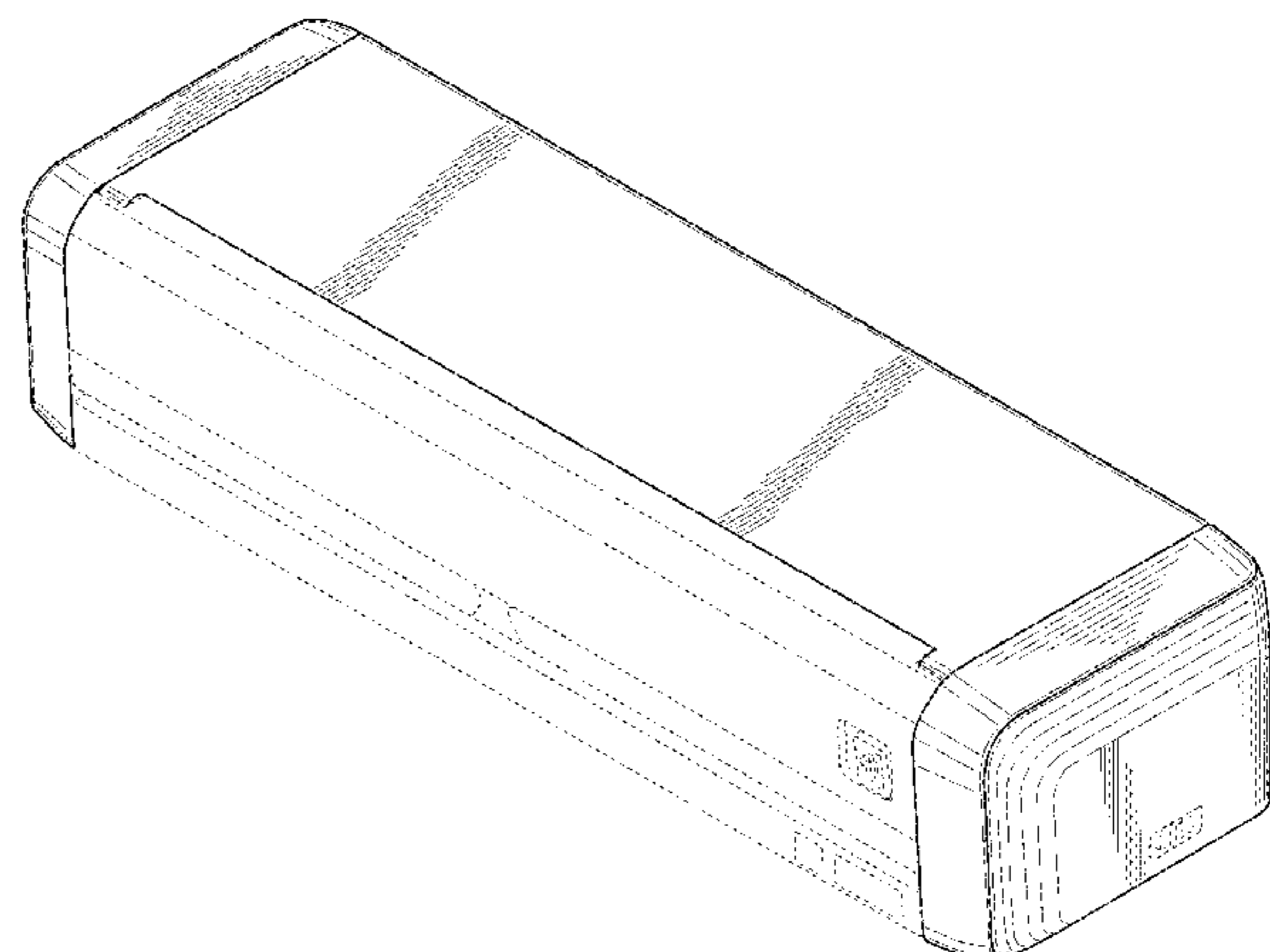
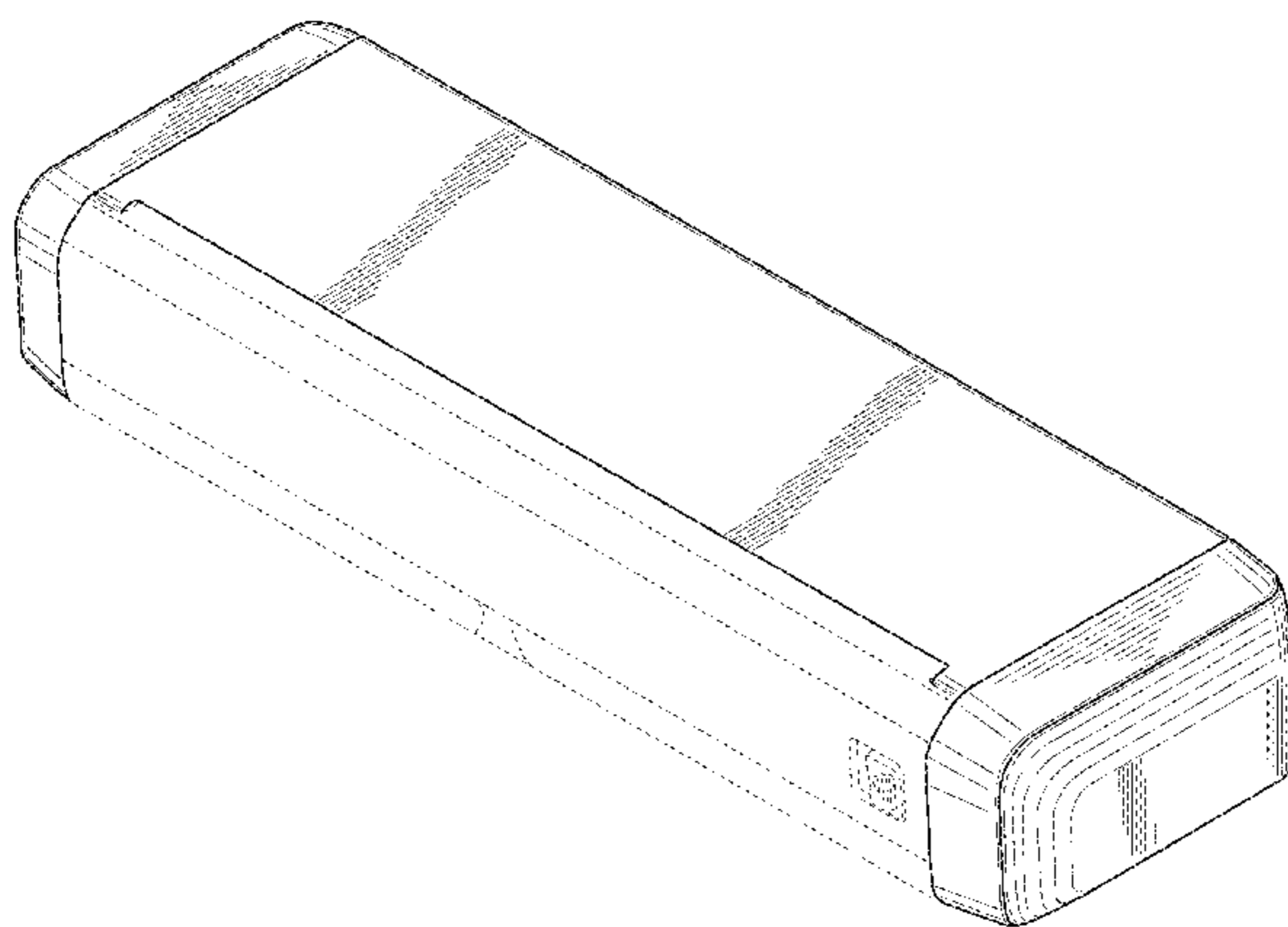
The ornamental design for a scanner, as shown and described.

DESCRIPTION

FIG. 1 is a front, top, and right side perspective view of a first embodiment of a scanner showing our new design; FIG. 2 is a rear, top, and left side perspective view thereof; FIG. 3 is a front view thereof; FIG. 4 is a rear view thereof; FIG. 5 is a top plan view thereof; FIG. 6 is a bottom plan view thereof; FIG. 7 is a right side view thereof; FIG. 8 is a left side view thereof; FIG. 9 is a front, top, and right side perspective view of a second embodiment of a scanner showing our new design; FIG. 10 is a rear, top, and left side perspective view thereof; FIG. 11 is a front view thereof; FIG. 12 is a rear view thereof; FIG. 13 is a top plan view thereof; FIG. 14 is a bottom plan view thereof; FIG. 15 is a right side view thereof; and, FIG. 16 is a left side view thereof.

The features shown in broken lines in the drawings depict parts of the scanner that form no part of the claimed design. The dash-dotted lines denote the boundaries of the claim and form no part of the claimed design.

1 Claim, 16 Drawing Sheets



(56)

References Cited

U.S. PATENT DOCUMENTS

D407,712 S *	4/1999	Hasegawa	D14/422
D435,849 S *	1/2001	Tasi	D14/422
D579,938 S *	11/2008	Romanoff	D14/422
D636,776 S *	4/2011	Kuroda	D14/422
D637,191 S *	5/2011	Kuroda	D14/422
D638,018 S *	5/2011	Kuroda	D14/422
D644,265 S *	8/2011	Inada	D18/50
D686,212 S	7/2013	Yamano et al.		
D709,071 S *	7/2014	Kato	D14/422
D714,290 S *	9/2014	Tanaka	D14/422
D714,291 S *	9/2014	Tanaka	D14/422
D723,035 S *	2/2015	Taniho	D14/422
D736,773 S *	8/2015	Okamoto	D14/422
D754,787 S *	4/2016	Yoshioka	D18/50
D777,248 S *	1/2017	Oguchi	D18/50
D780,181 S *	2/2017	Peng	D14/422
2017/0054864 A1 *	2/2017	Nagai	H04N 1/00795

* cited by examiner

FIG. 1

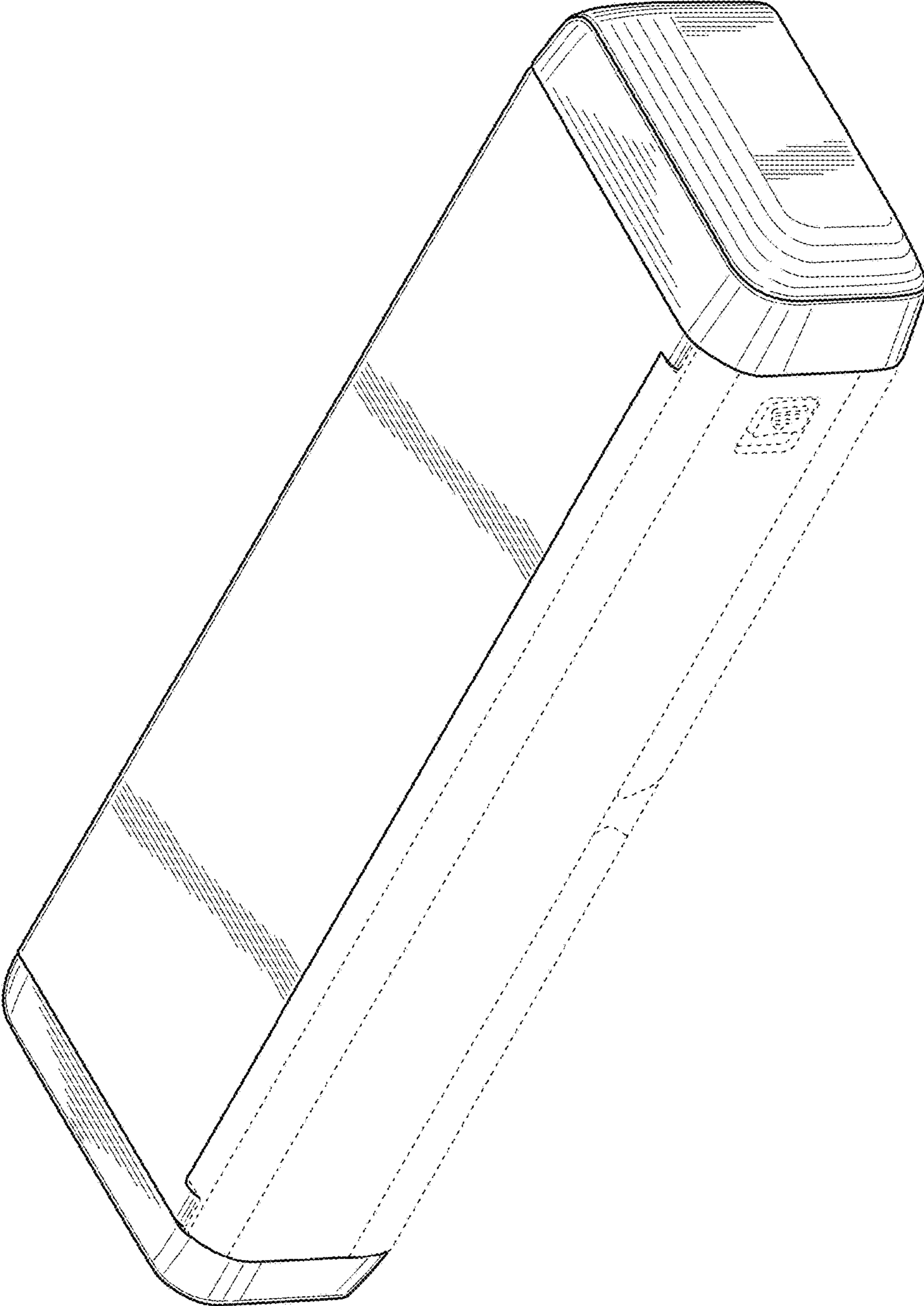


FIG. 2

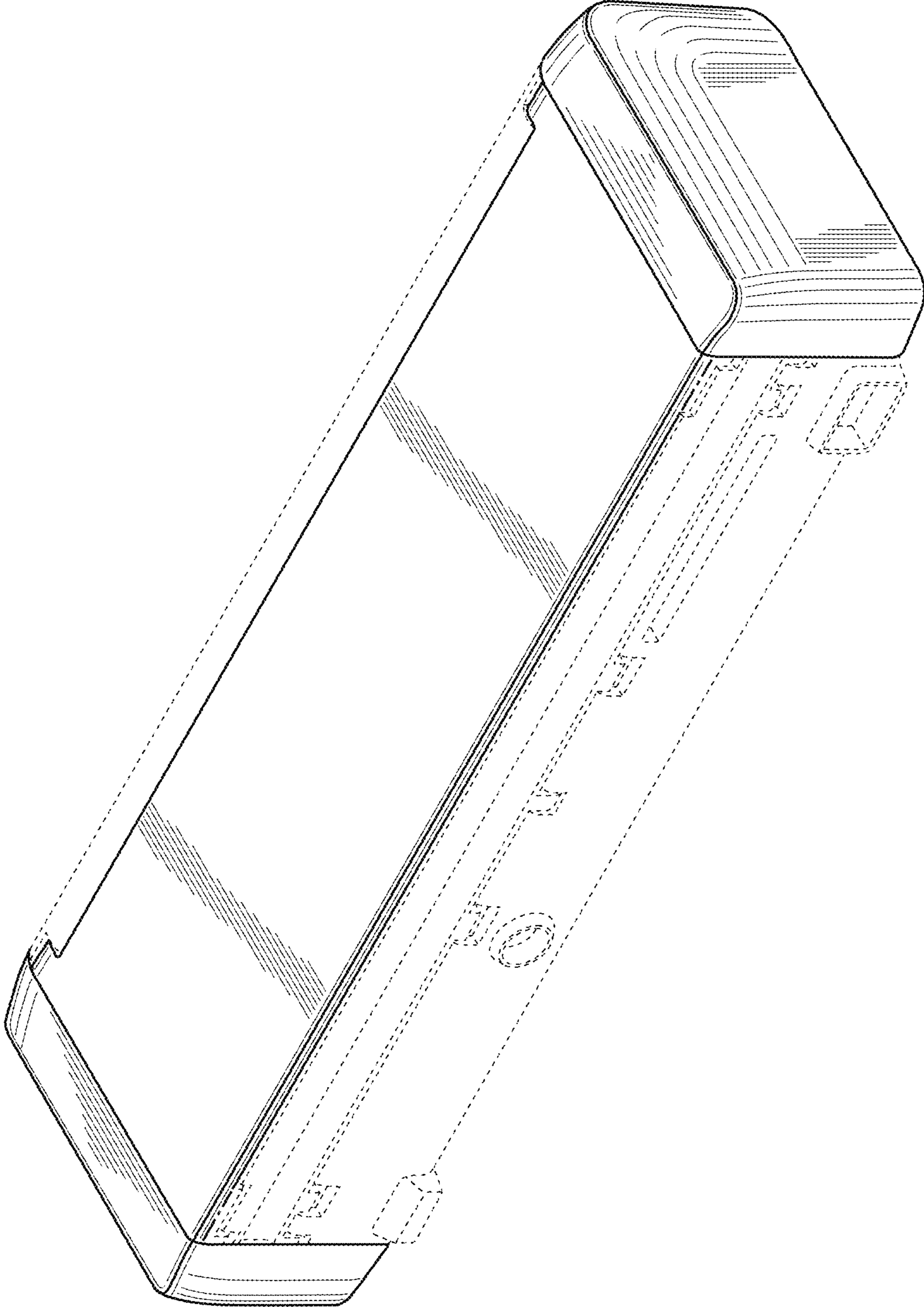


FIG. 3

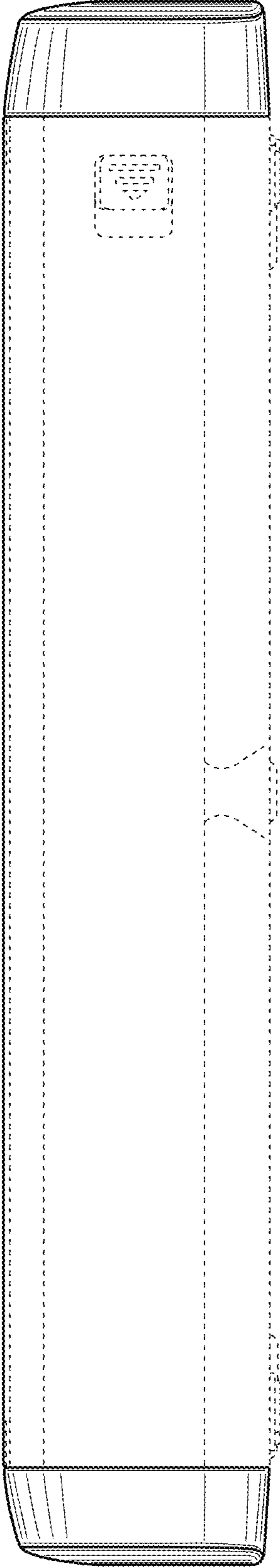


FIG. 4

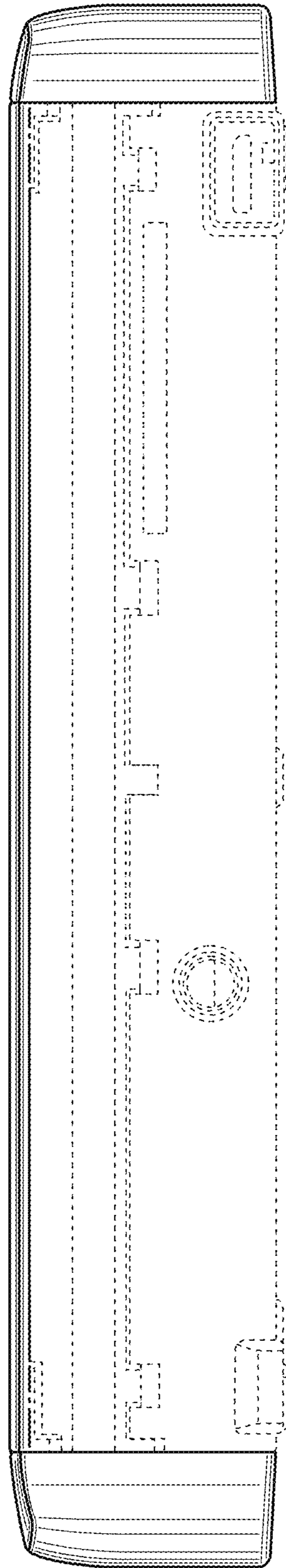


FIG. 5

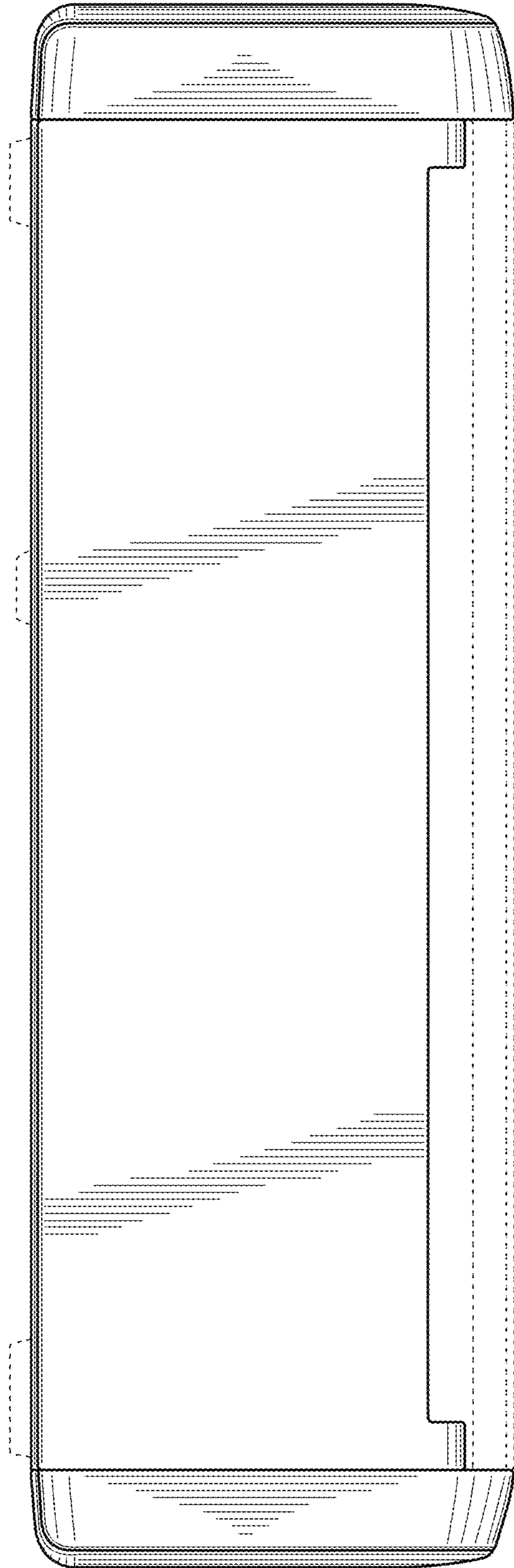


FIG. 6

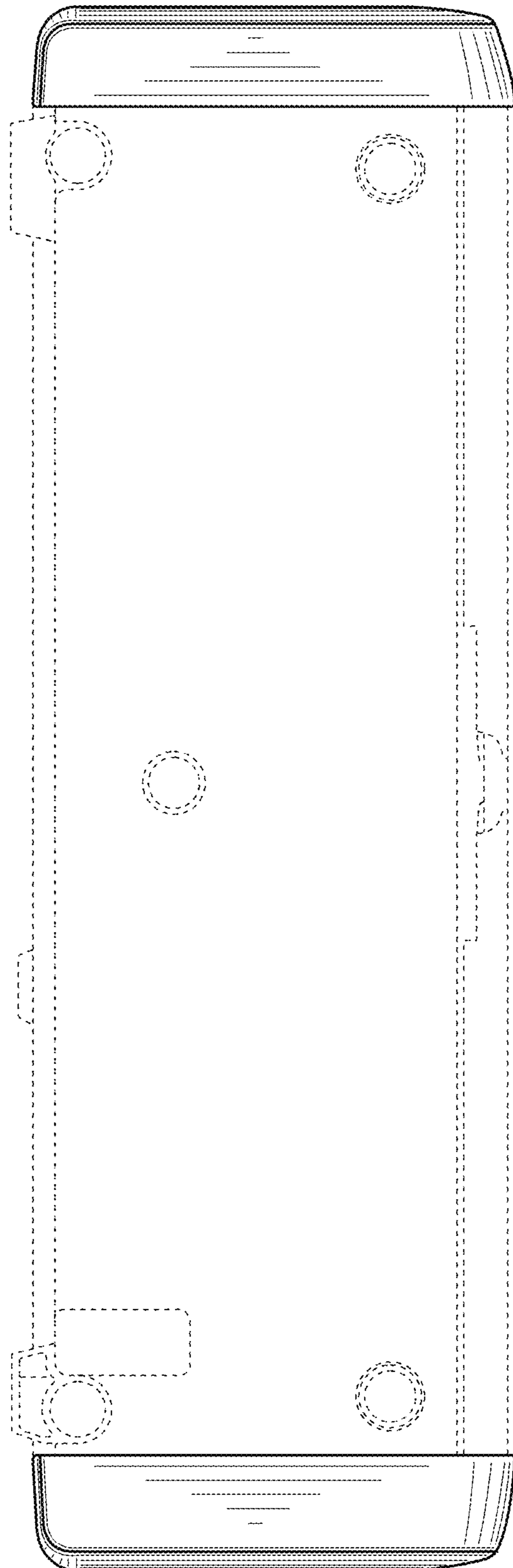


FIG. 7

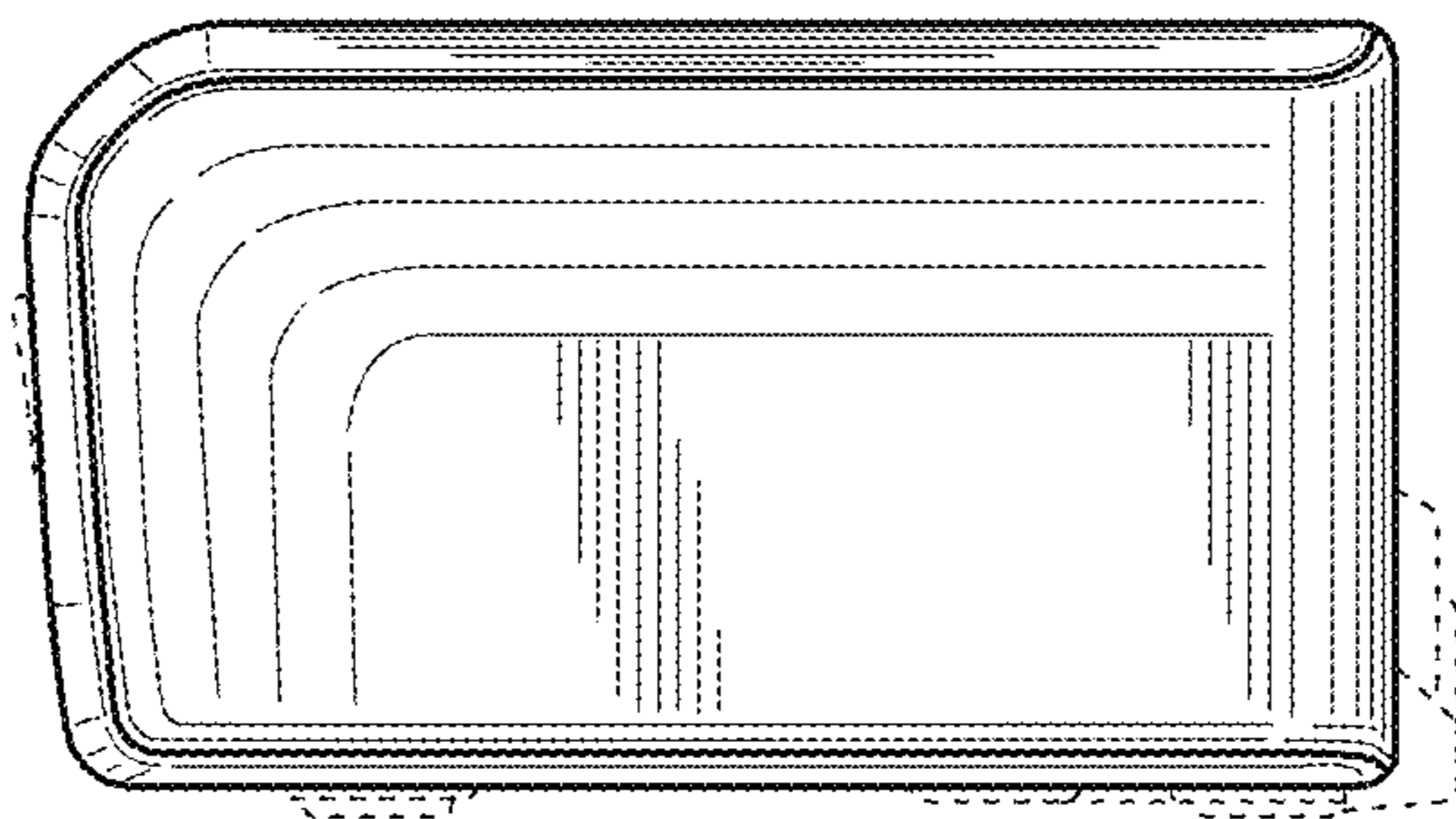


FIG. 8

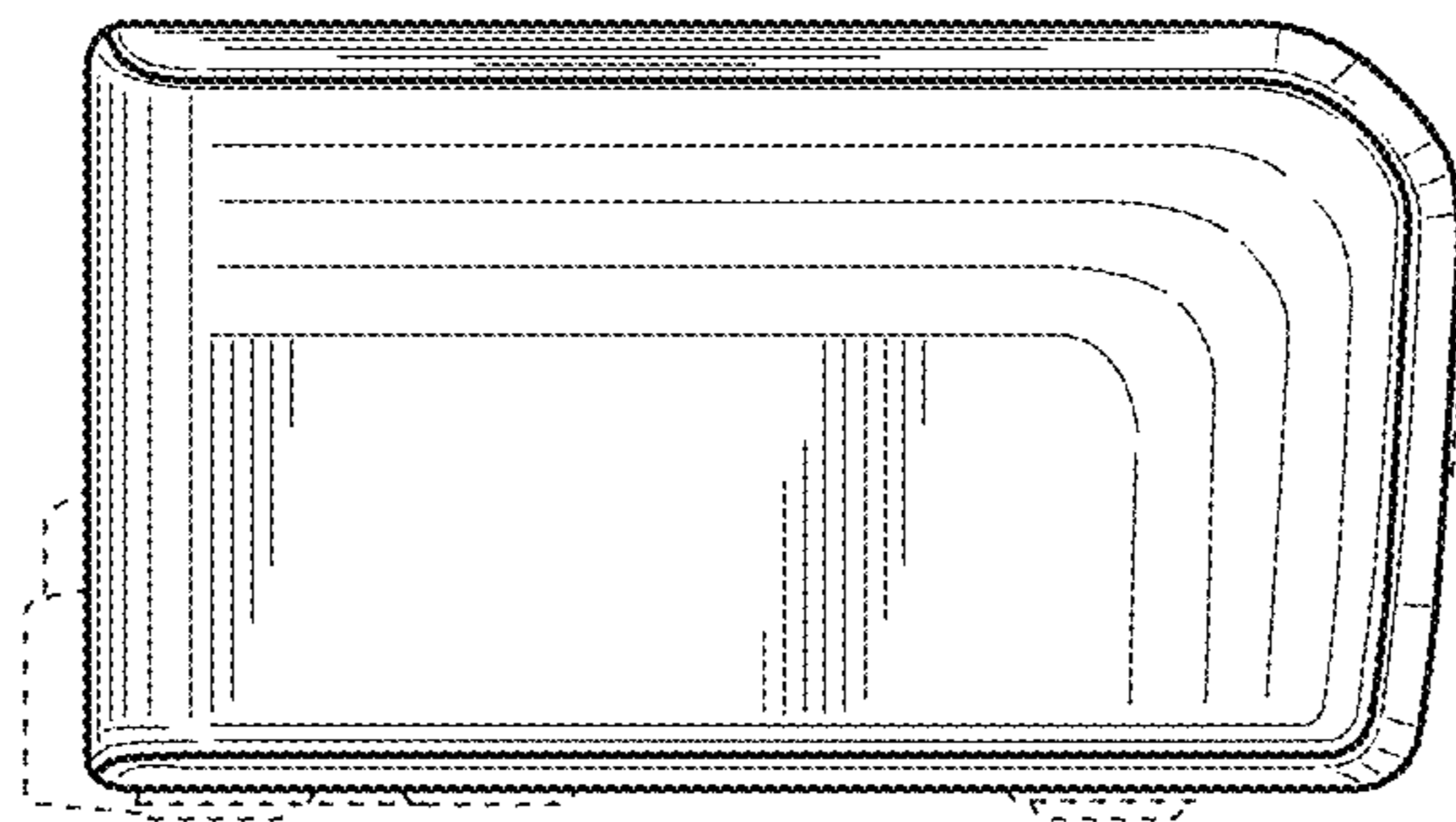


FIG. 9

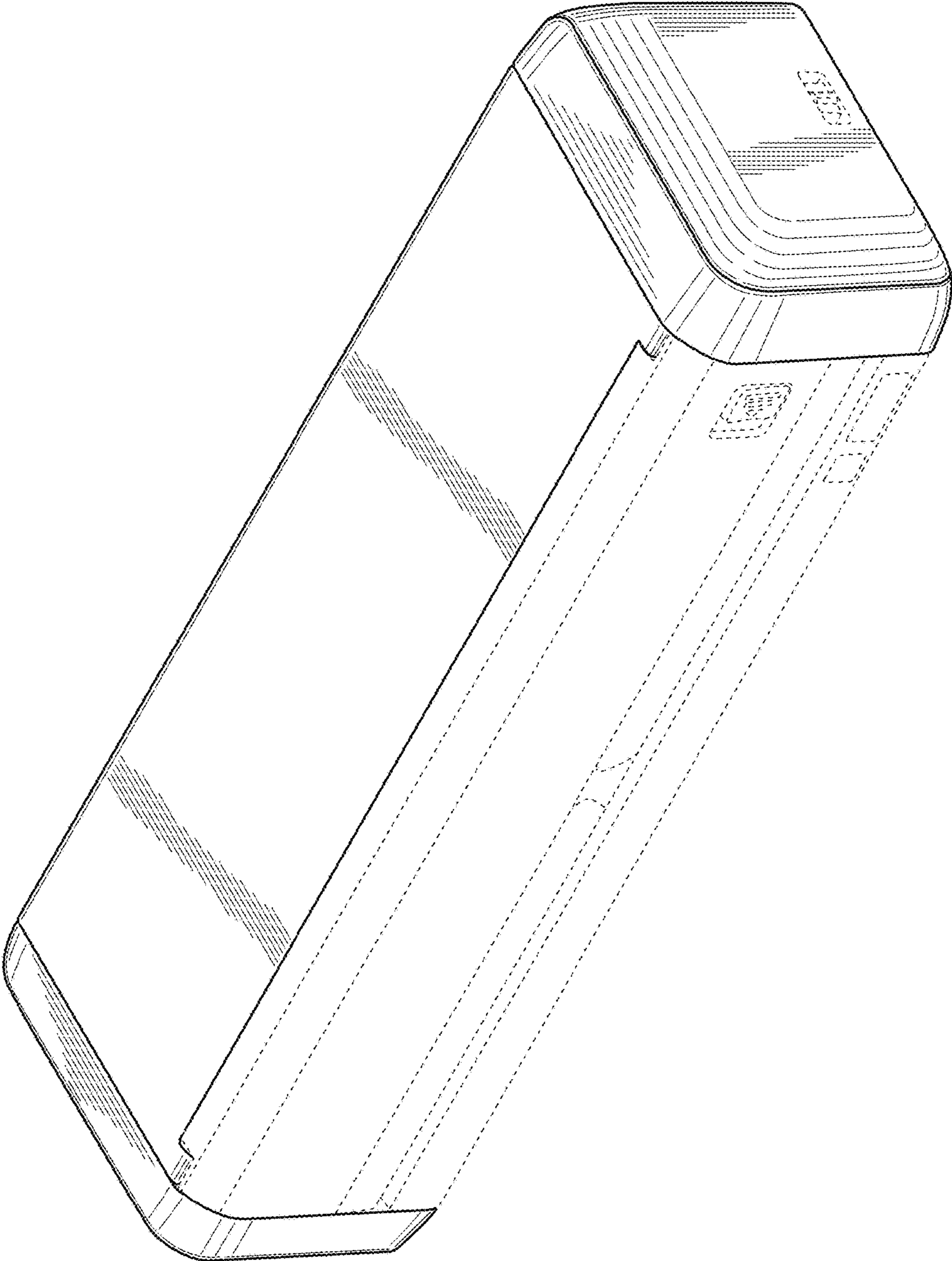


FIG. 10

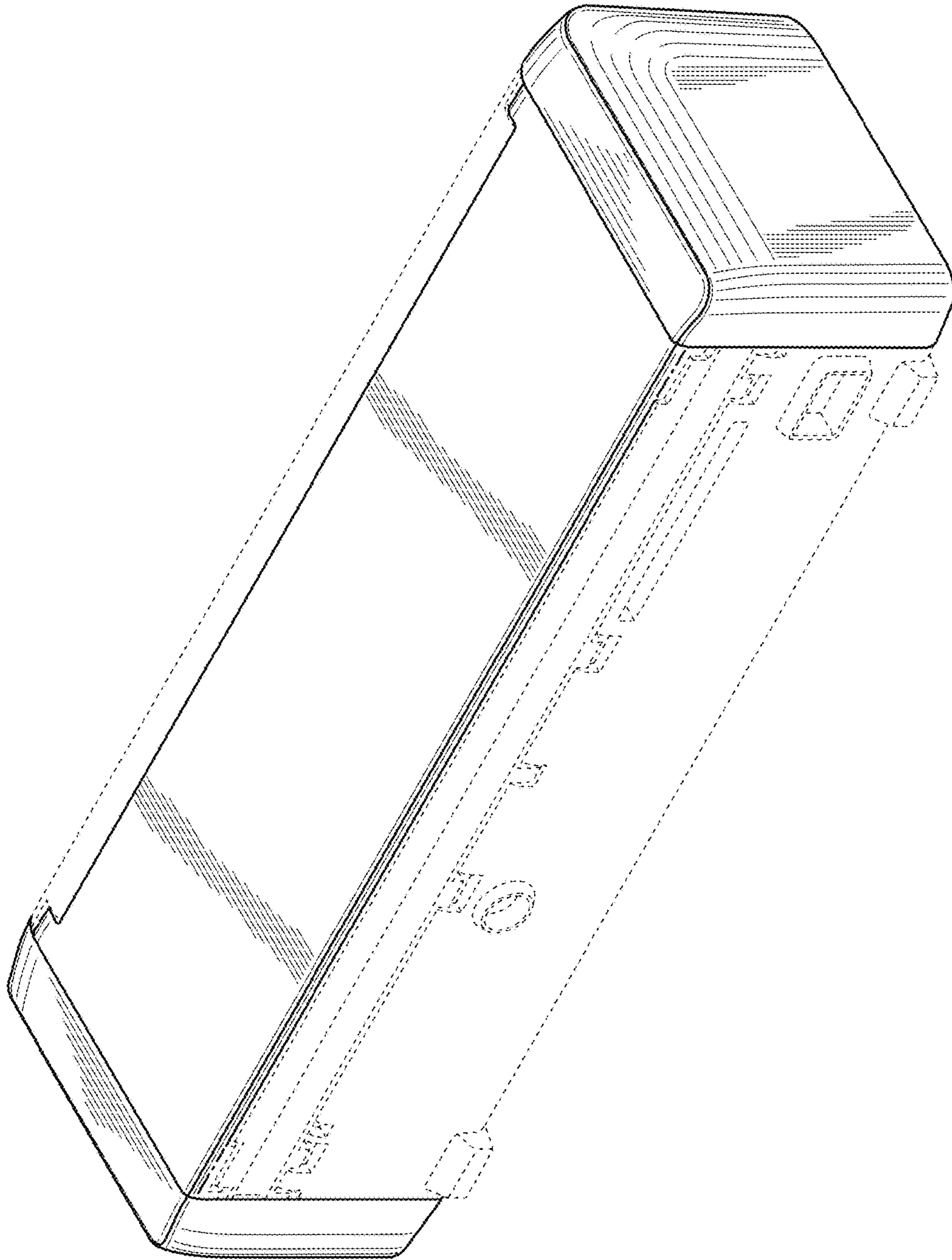


FIG. 11

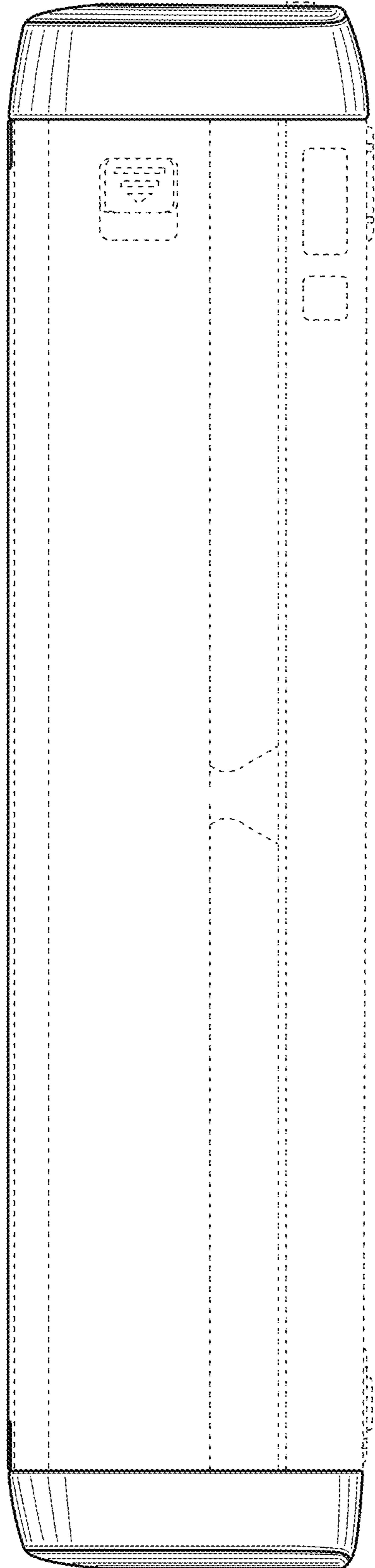


FIG. 12

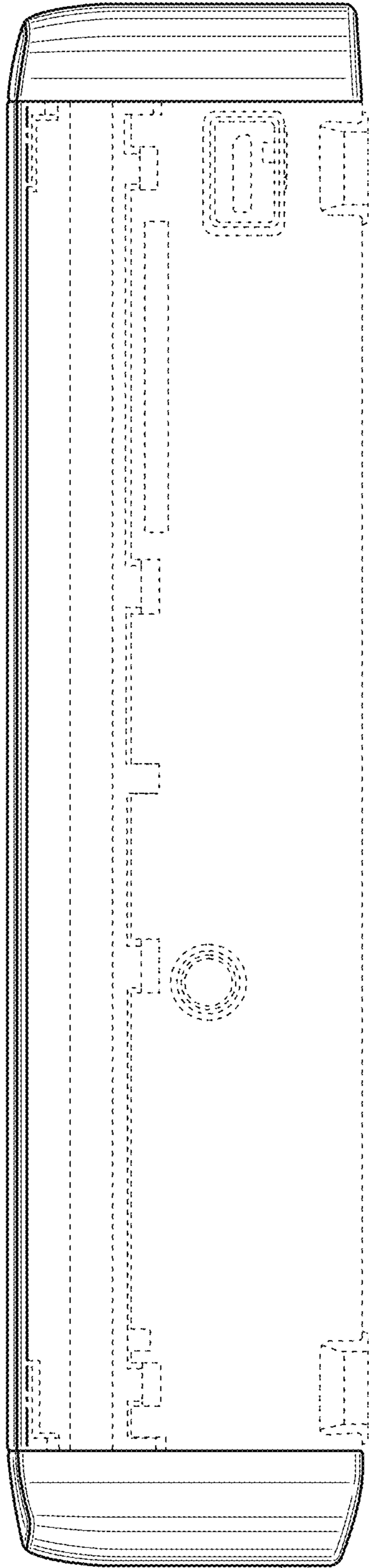


FIG. 13

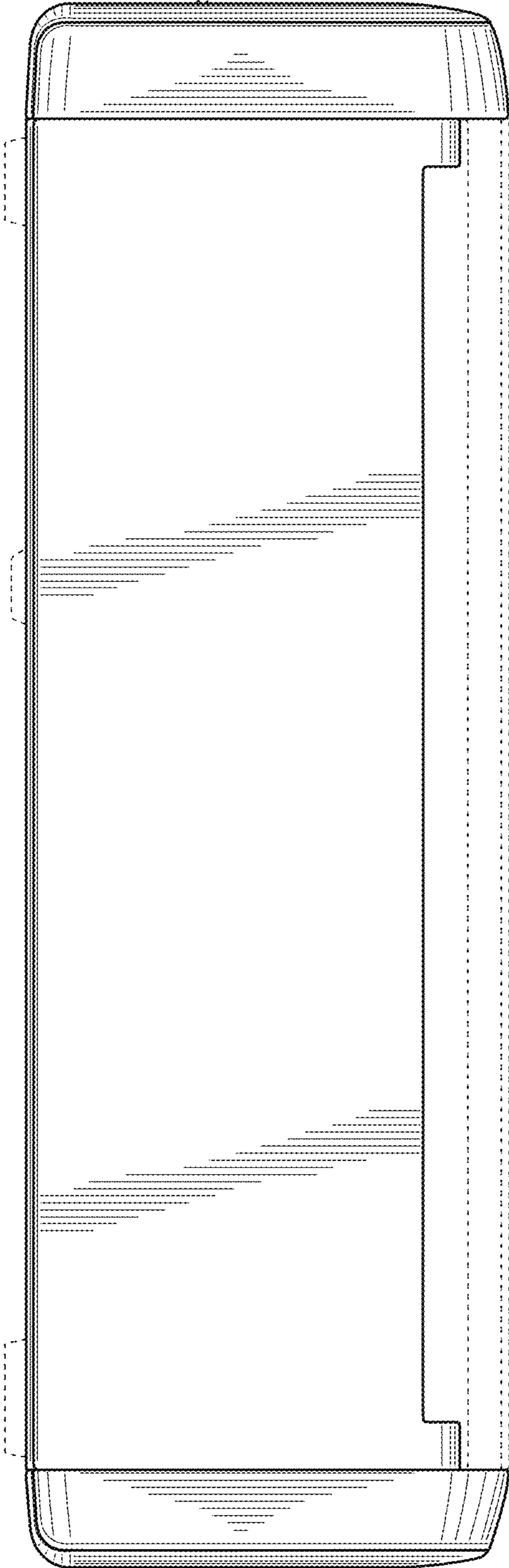


FIG. 14

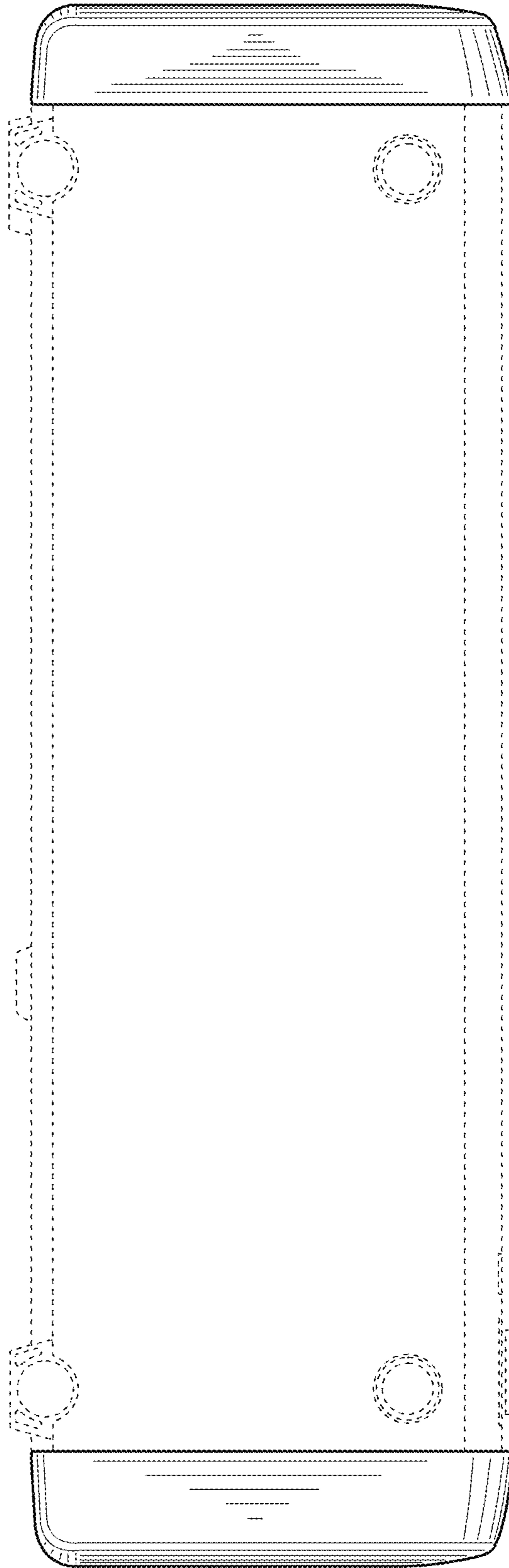


FIG. 15

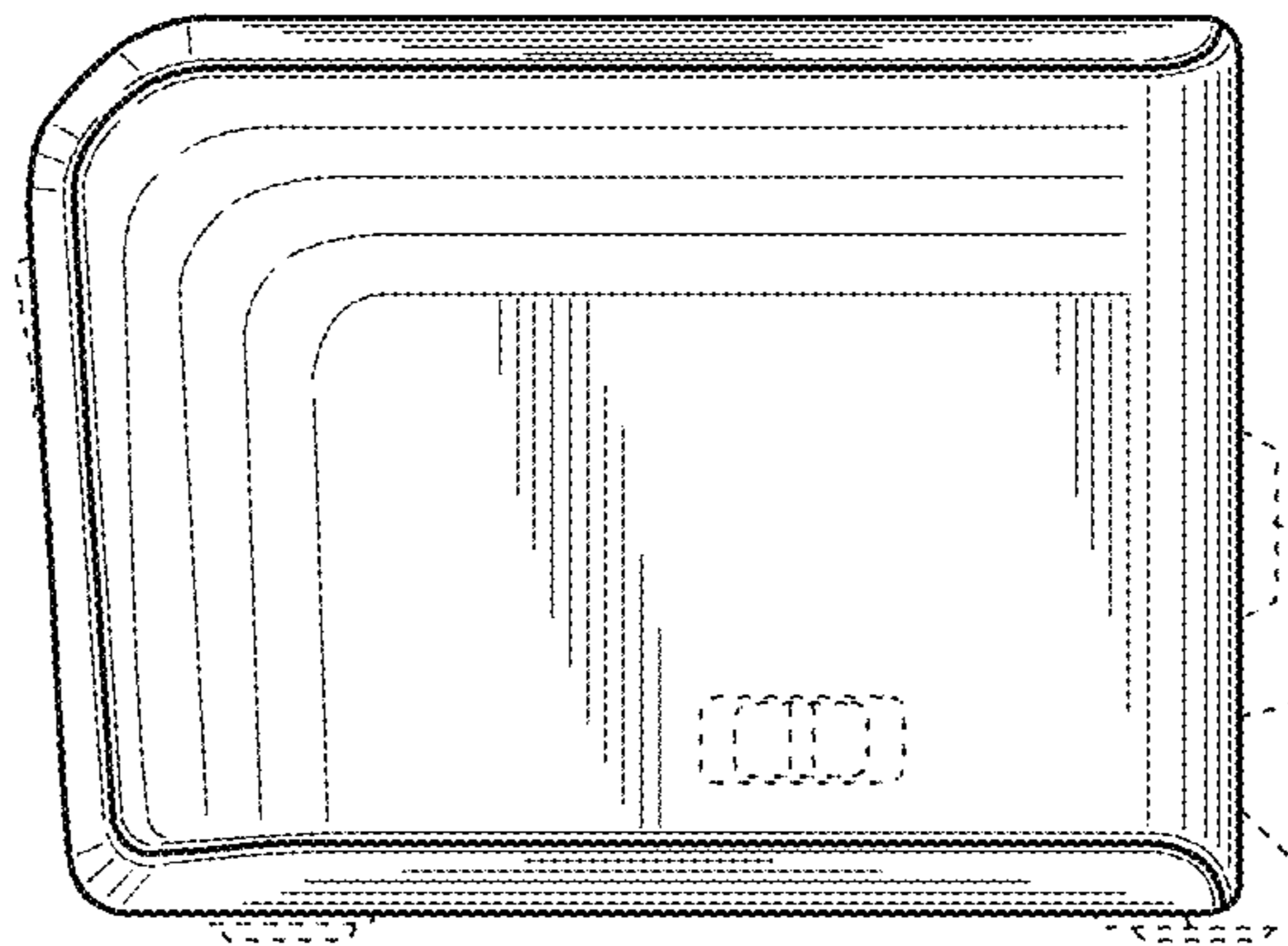


FIG. 16

