



US00D807883S

(12) **United States Design Patent** (10) **Patent No.:** **US D807,883 S**
Lee (45) **Date of Patent:** **** Jan. 16, 2018**

(54) **DISPLAY**

F16M 11/045; F16M 11/105; F16M 11/041; F16M 11/126; F16M 11/04; F16M 13/02; F16M 11/24; A47F 5/00

(71) Applicants: **BOE TECHNOLOGY GROUP CO., LTD.**, Beijing (CN); **K-Tronics (SuZhou) Technology Co., Ltd.**, Suzhou, Jiangsu Province (CN)

See application file for complete search history.

(72) Inventor: **Cheng-Hsiung Lee**, Beijing (CN)

(56) **References Cited**

U.S. PATENT DOCUMENTS

(73) Assignees: **BOE TECHNOLOGY GROUP CO., LTD.**, Beijing (CN); **K-TRONICS (SUZHOU) TECHNOLOGY CO., LTD.**, Suzhou, Jiangsu Province (CN)

D520,004 S *	5/2006	Baek	D14/375
D704,707 S *	5/2014	Huh	D14/374
D708,614 S *	7/2014	Huh	D14/374
2011/0096486 A1 *	4/2011	Oh	F16M 11/10 361/679.21
2012/0155004 A1 *	6/2012	Yukawa	G06F 1/1601 361/679.21

(**) Term: **15 Years**

* cited by examiner

(21) Appl. No.: **29/569,045**

Primary Examiner — Freda S Nunn

(22) Filed: **Jun. 23, 2016**

(74) *Attorney, Agent, or Firm* — Nath, Goldberg & Meyer; Joshua B. Goldberg

Related U.S. Application Data

(62) Division of application No. 29/513,691, filed on Jan. 5, 2015, now abandoned.

(57) **CLAIM**

Foreign Application Priority Data

The ornamental design for a display, as shown and described.

Jul. 21, 2014 (CN) 2014 3 0246819

(51) **LOC (11) Cl.** **14-02**

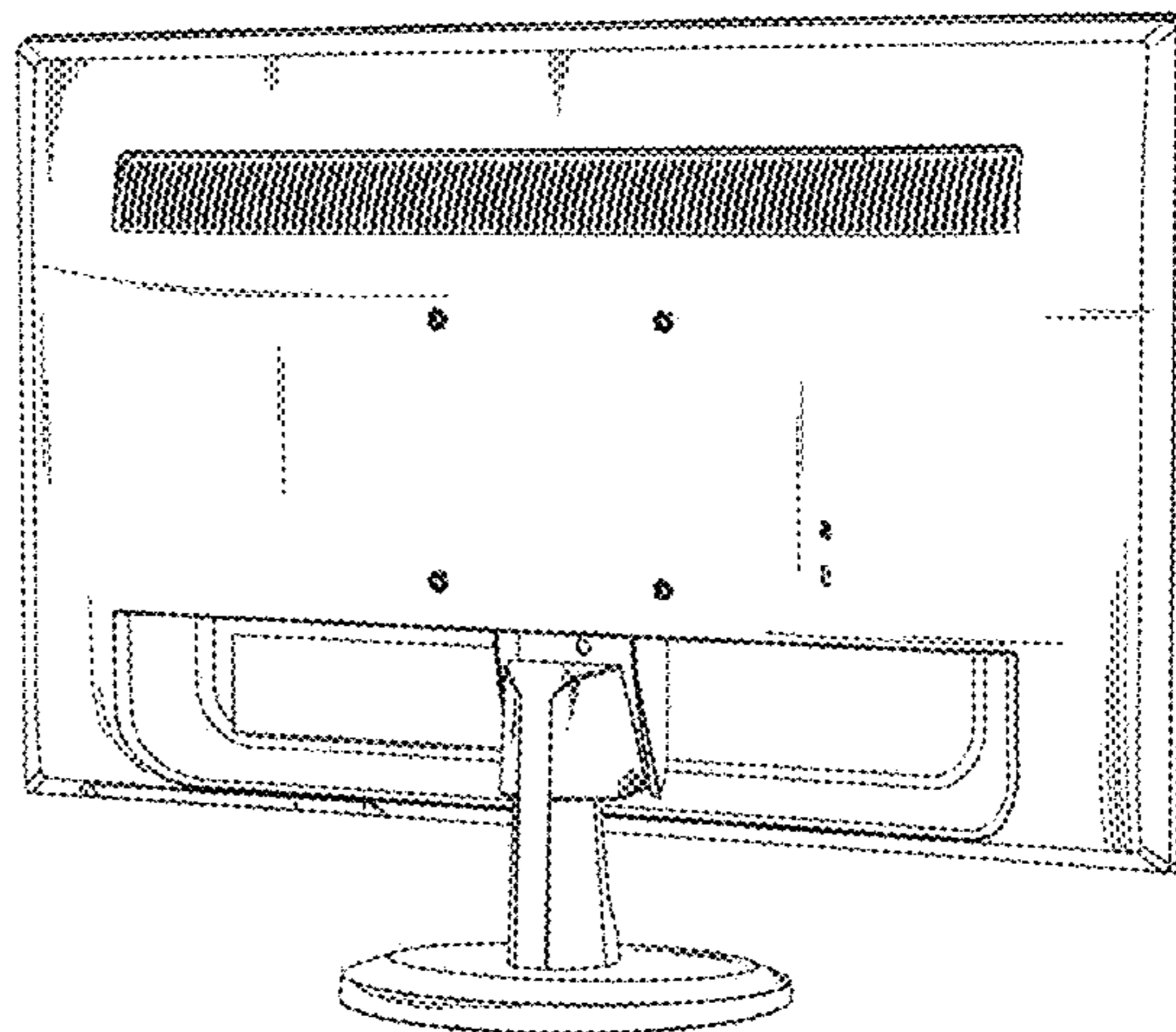
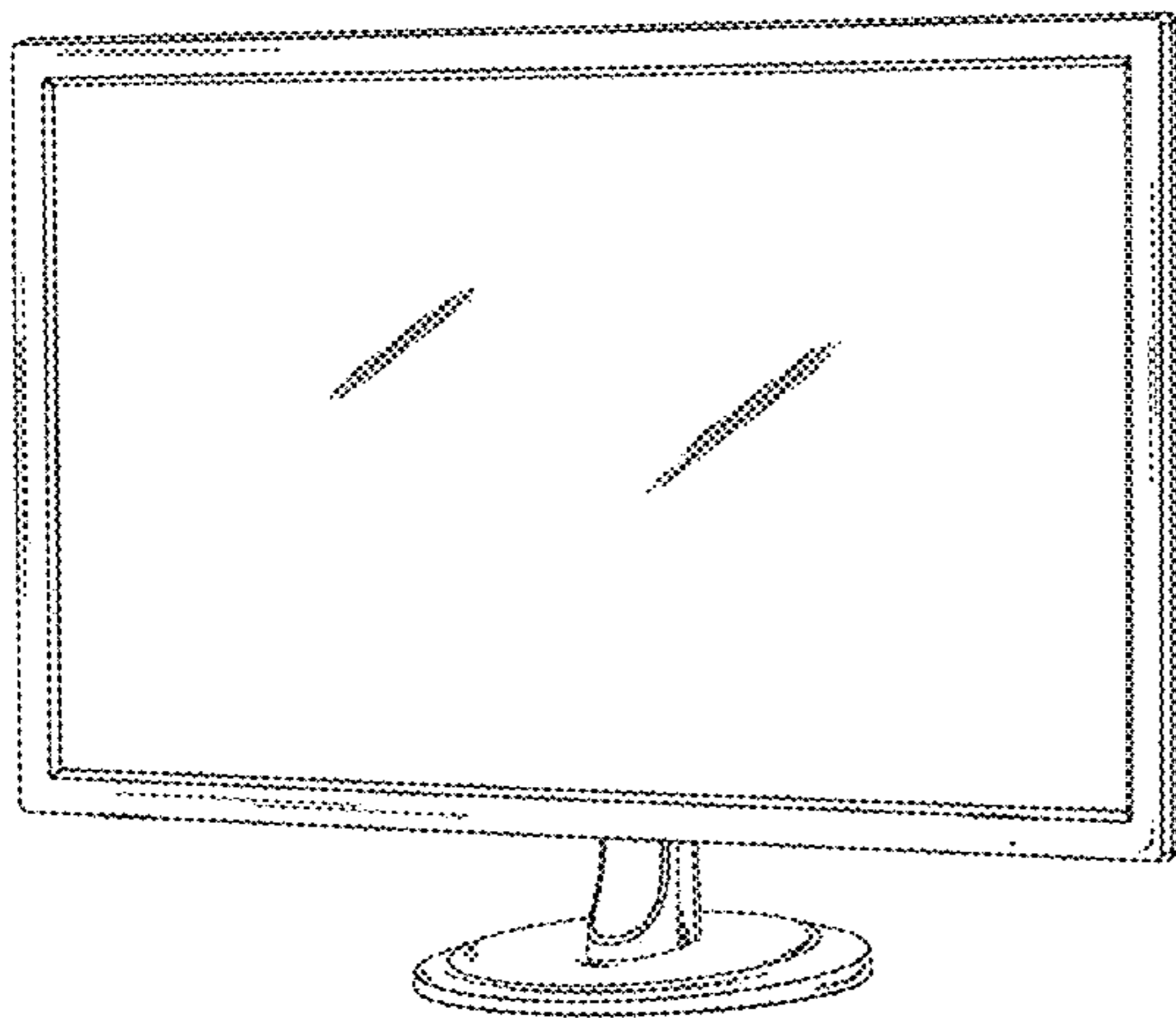
(52) **U.S. Cl.**
USPC **D14/374**

DESCRIPTION

(58) **Field of Classification Search**
USPC D14/371–375, 125–129, 336, 337, 341, D14/239; 341/12; 345/104, 156, 168, 345/173; 348/180, 184, 325, 739; 349/1, 349/2, 11, 62; 361/679.05–679.07, 361/679.21; D6/300, 308
CPC G06F 1/16; G06F 1/1601; G06F 3/037; G06F 1/162; G06F 1/1613; G06F 1/133308; F16M 11/02; F16M 11/10; F16M 11/00; F16M 11/06; F16M 11/18;

FIG. 1 is a front view of a display; FIG. 2 is a rear view thereof; FIG. 3 is a left side view thereof; FIG. 4 is a right side view thereof; FIG. 5 is a top view thereof; FIG. 6 is a bottom view thereof; FIG. 7 is a front perspective view thereof; and, FIG. 8 is a rear perspective view thereof.

1 Claim, 4 Drawing Sheets



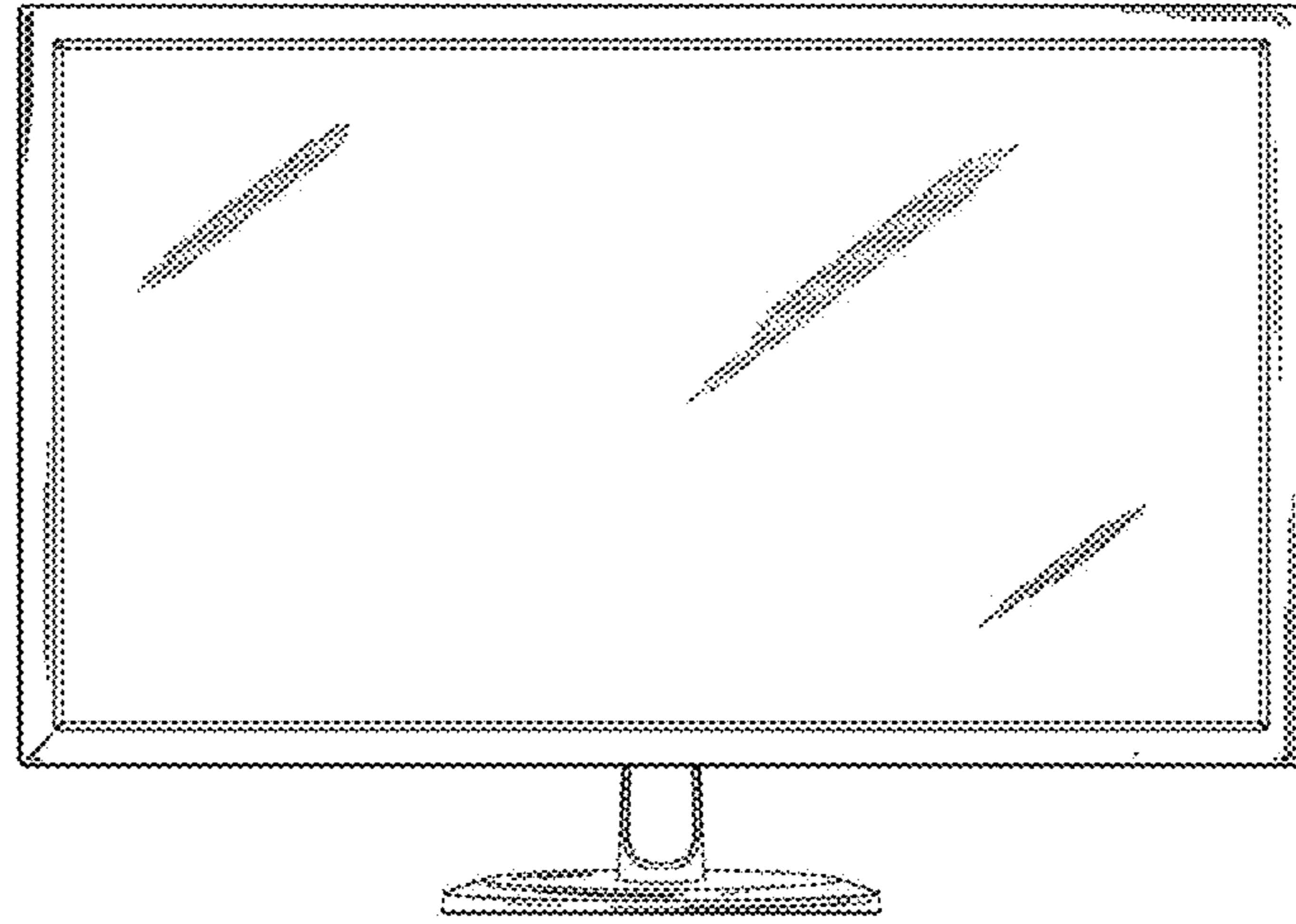


Fig. 1

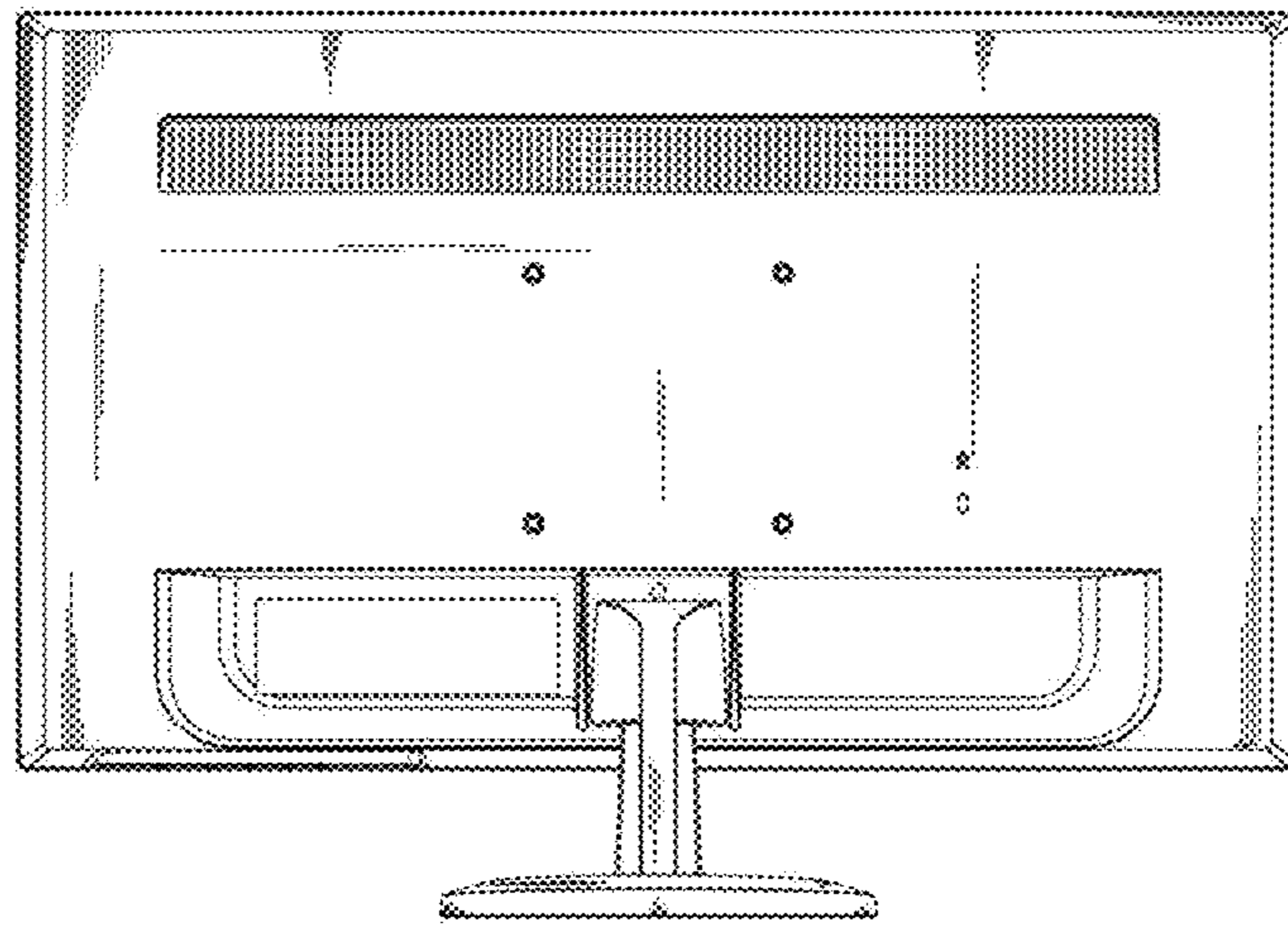


Fig. 2

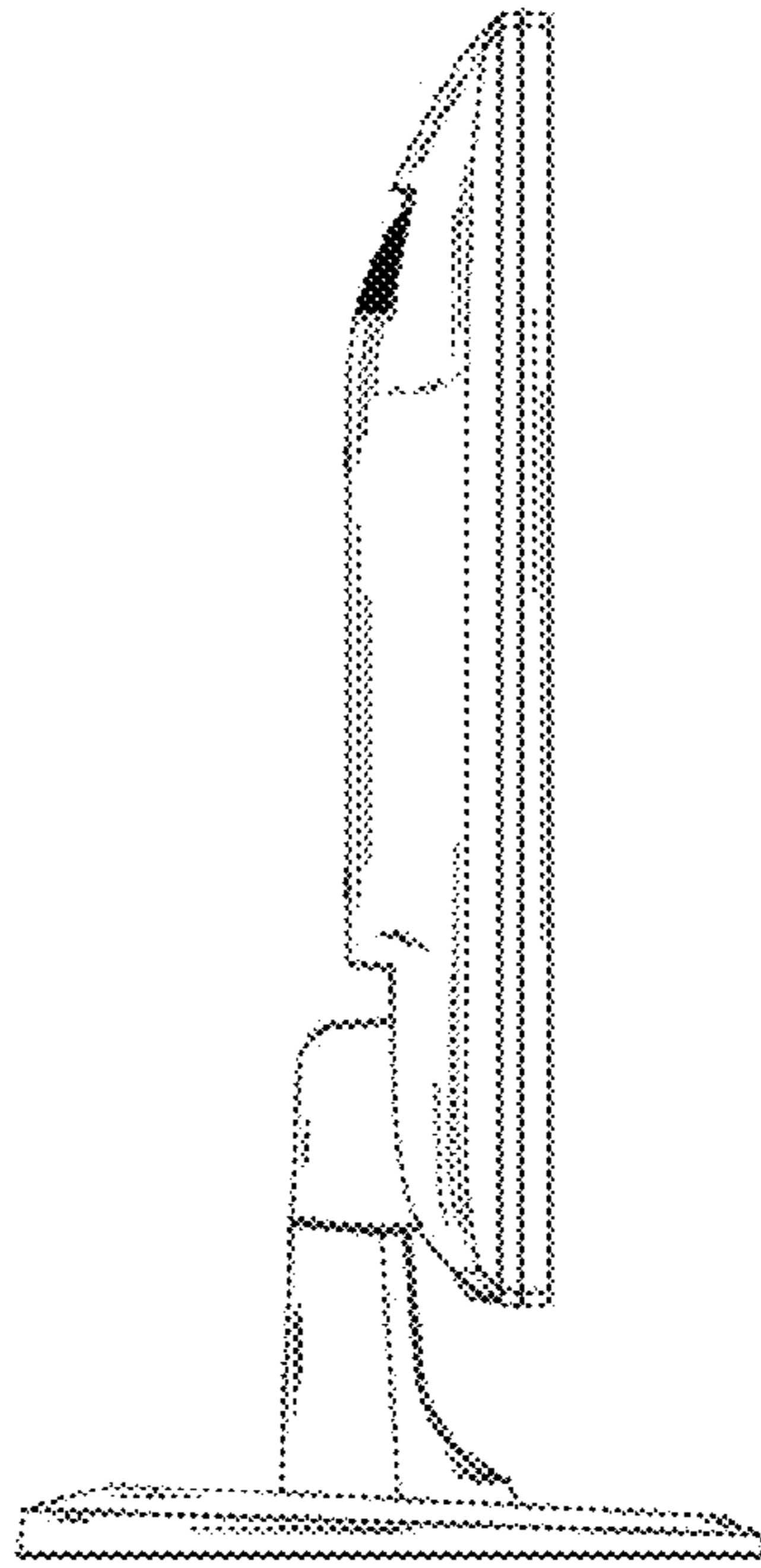


Fig. 3

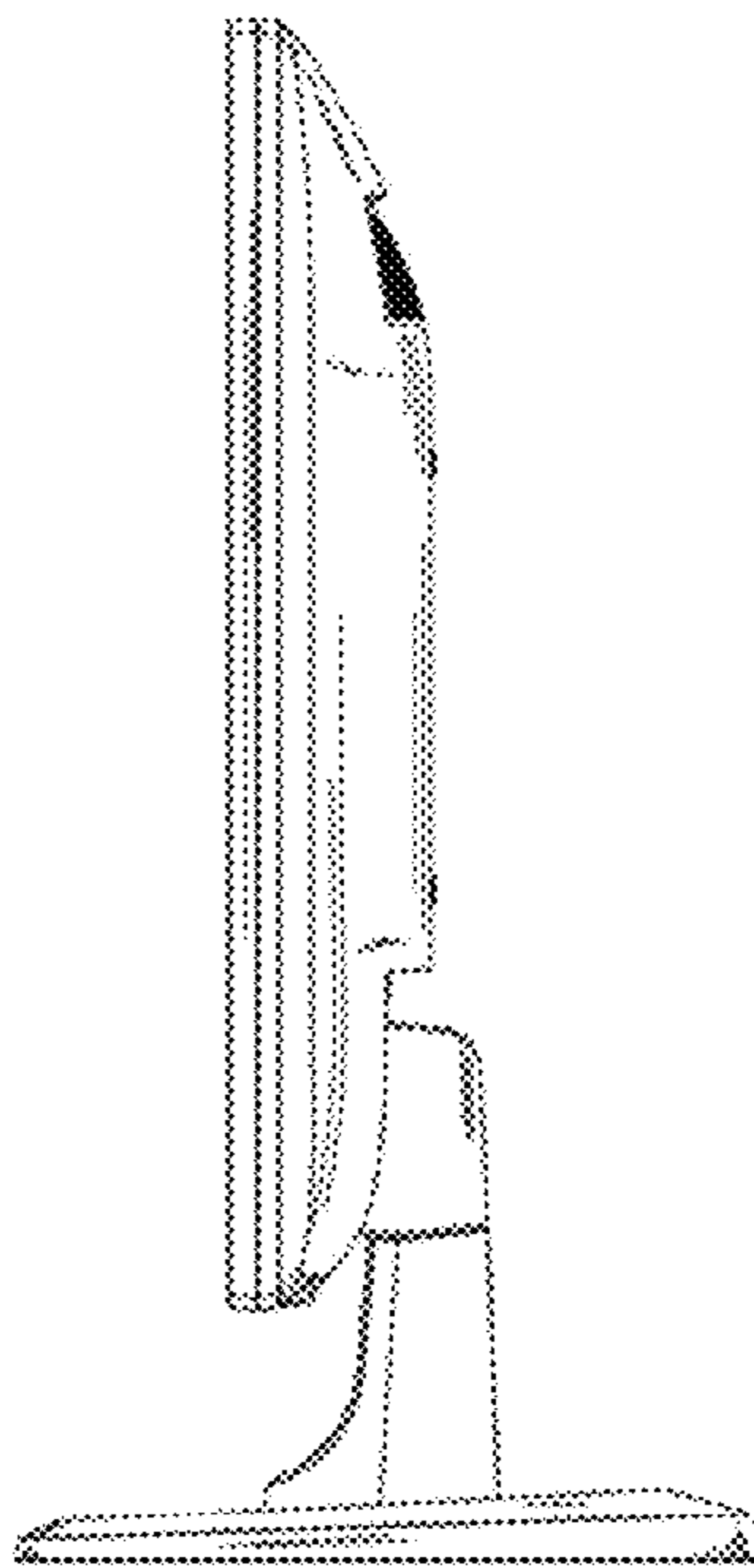


Fig. 4

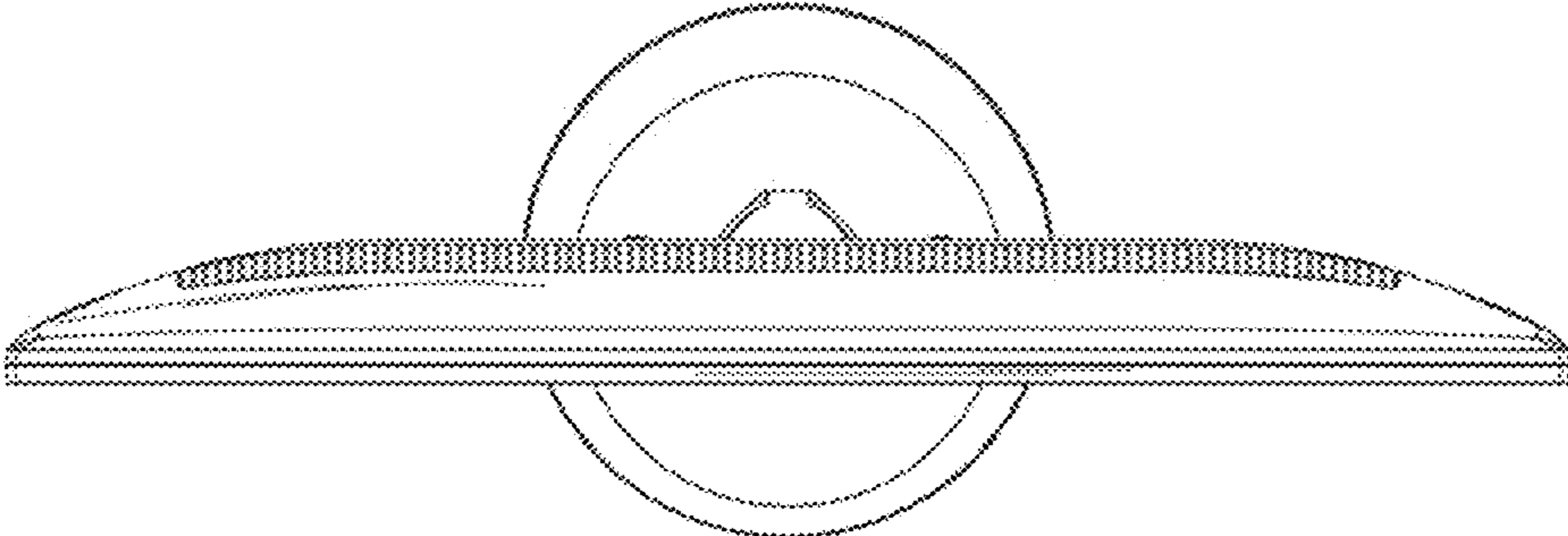


Fig. 5

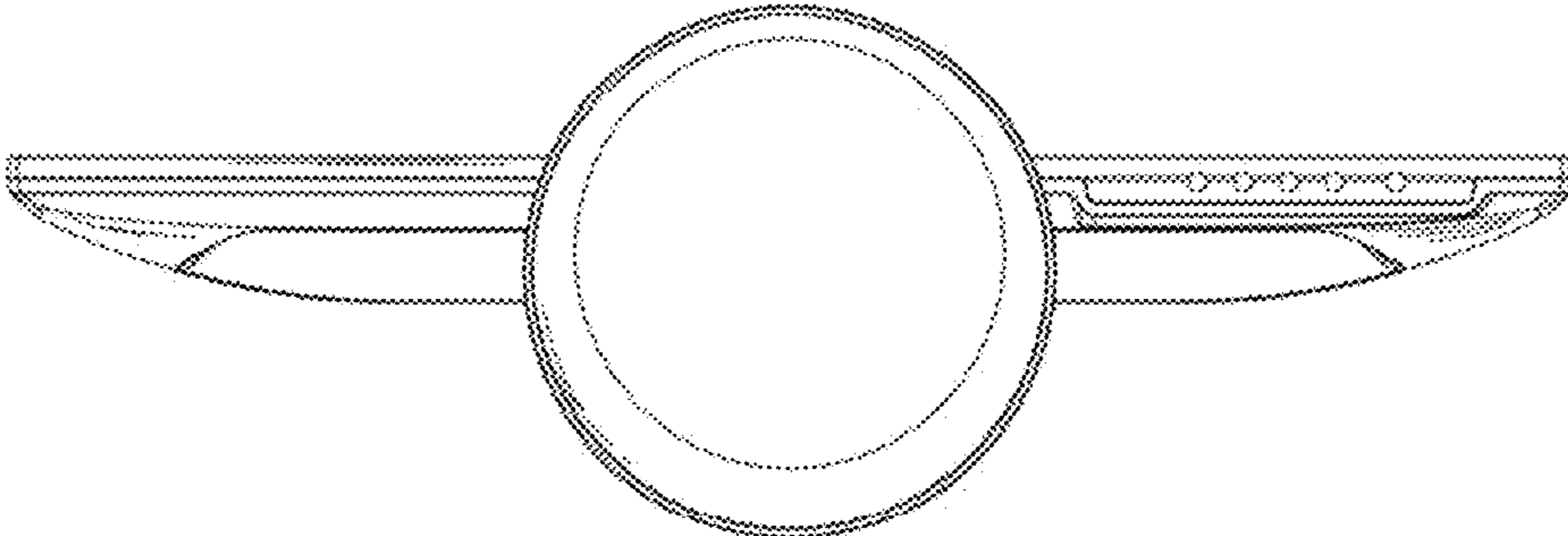


Fig. 6

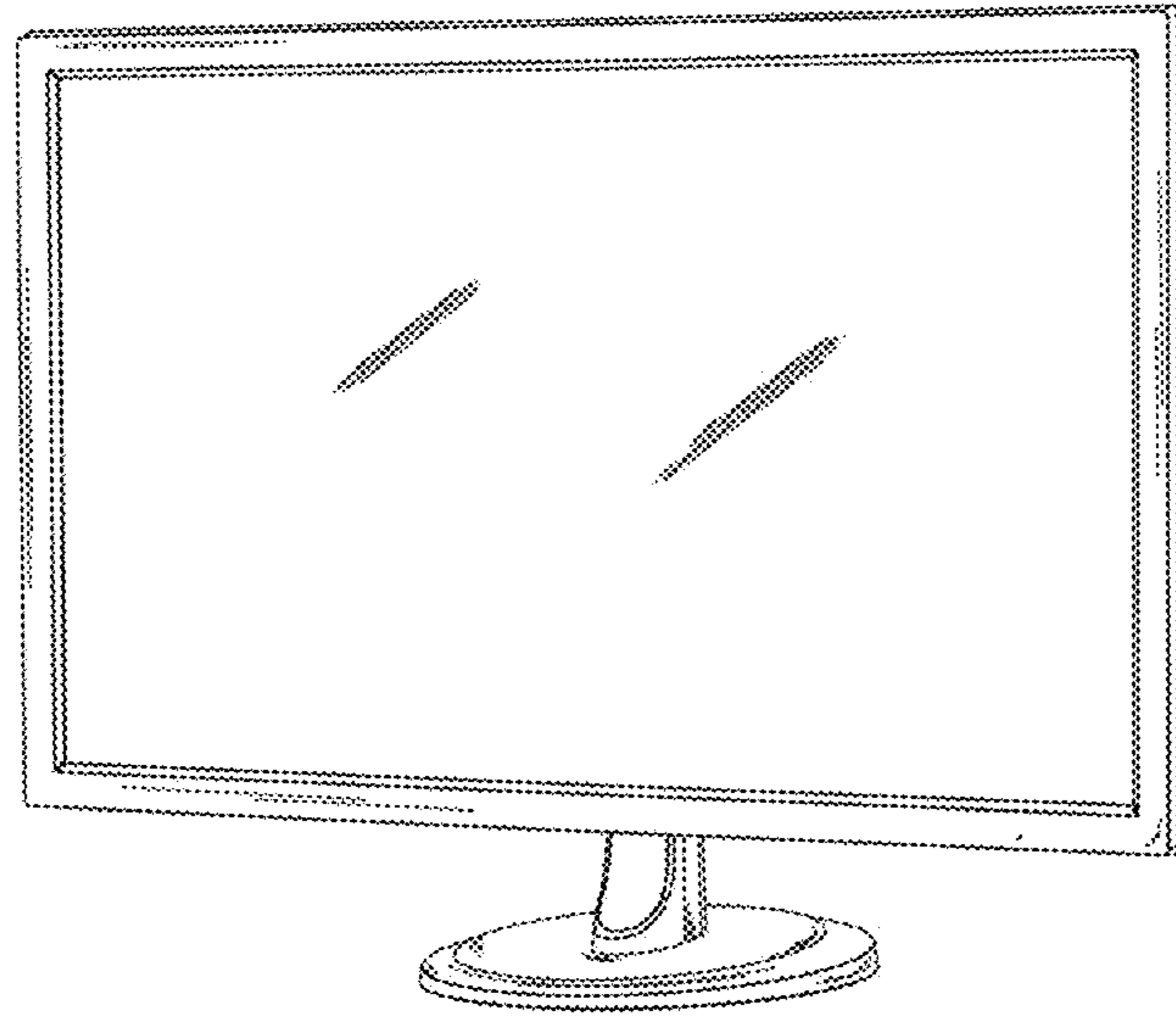


Fig. 7

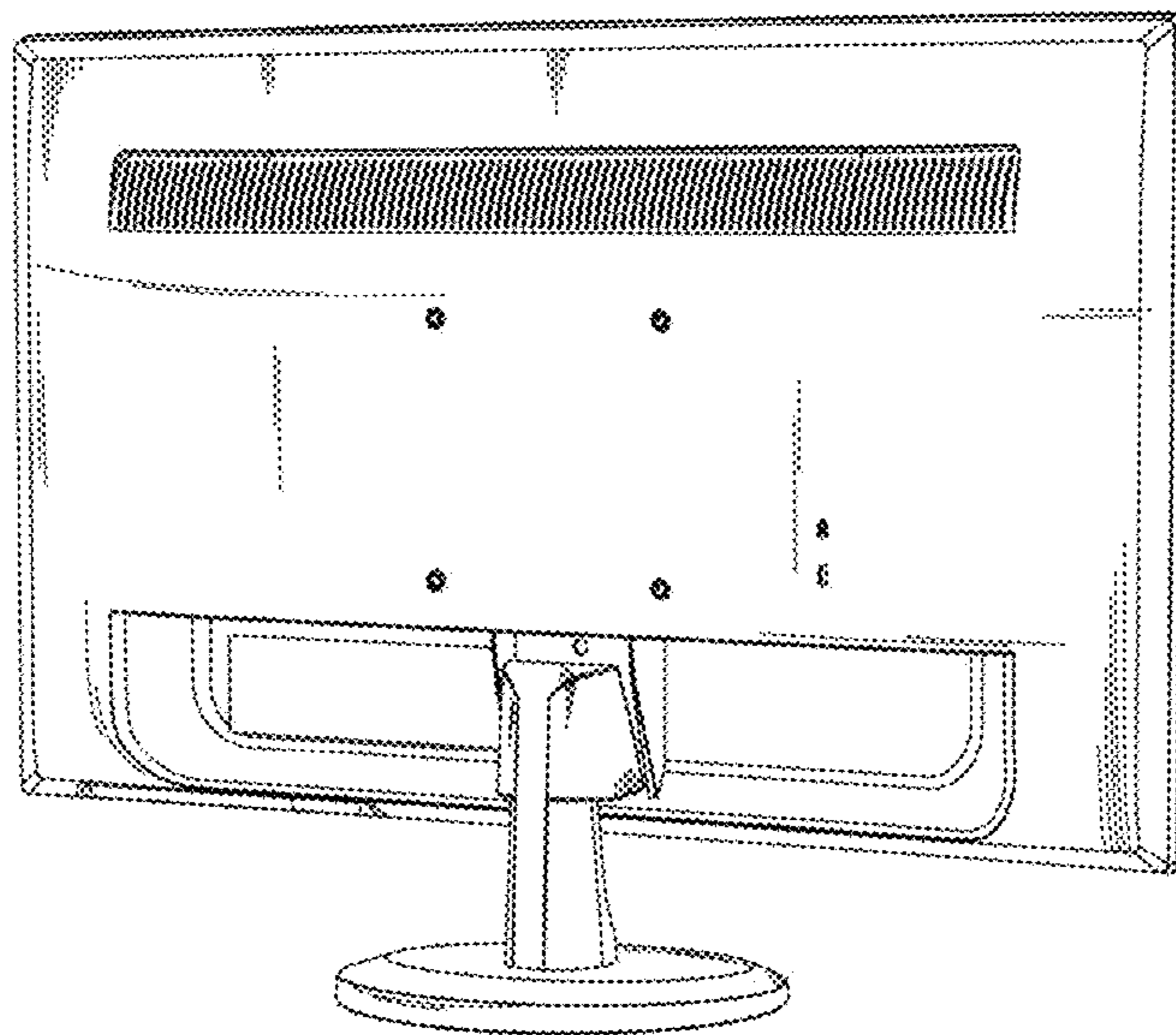


Fig. 8