



US00D807882S

(12) **United States Design Patent** (10) **Patent No.:** **US D807,882 S**
Gribetz et al. (45) **Date of Patent:** **** Jan. 16, 2018**

(54) **HEAD-MOUNTED DISPLAY**

(56) **References Cited**

(71) Applicant: **Meta Company**, San Mateo, CA (US)

U.S. PATENT DOCUMENTS

(72) Inventors: **Meron Gribetz**, Portola Valley, CA (US); **Raymond Chun Hing Lo**, Richmond Hill (CA); **Stefano Baldassi**, Menlo Park, CA (US); **Martin Hasek**, San Francisco, CA (US); **Ashish Ahuja**, Mountain View, CA (US); **Zhangyi Zhong**, San Francisco, CA (US); **Eric Bokides**, San Mateo, CA (US); **Esther Lekeu**, San Mateo, CA (US); **Steven Merlin Worden**, Fremont, CA (US)

5,003,300 A *	3/1991	Wells	G02B 13/16 340/980
D390,552 S	2/1998	Ronzani	
D517,066 S	3/2006	Travers	
D545,960 S	7/2007	Fu	
D607,994 S	1/2010	Fu	
8,171,934 B1	5/2012	Ho	
D684,257 S	6/2013	Clarke	
D727,896 S	4/2015	Laluque	
D732,028 S *	6/2015	Kim	D14/372
D736,771 S	8/2015	West	
D741,327 S	10/2015	Reznik	
D749,580 S	2/2016	Kim	
D752,680 S	3/2016	Kim	
D753,112 S	4/2016	Fei	
D753,113 S	4/2016	Fei	
D759,655 S	6/2016	Sullivan	

(73) Assignee: **Meta Company**, San Mateo, CA (US)

(**) Term: **15 Years**

Primary Examiner — Austin Murphy

(21) Appl. No.: **29/574,353**

(74) *Attorney, Agent, or Firm* — Sheppard Mullin Richter & Hampton LLP

(22) Filed: **Aug. 15, 2016**

Related U.S. Application Data

(63) Continuation of application No. 29/554,762, filed on Feb. 15, 2016, now Pat. No. Des. 776,110.

(57) **CLAIM**

The ornamental design for a head-mounted display, as shown and described.

(51) **LOC (11) Cl.** **14-02**

(52) **U.S. Cl.**
USPC **D14/372**

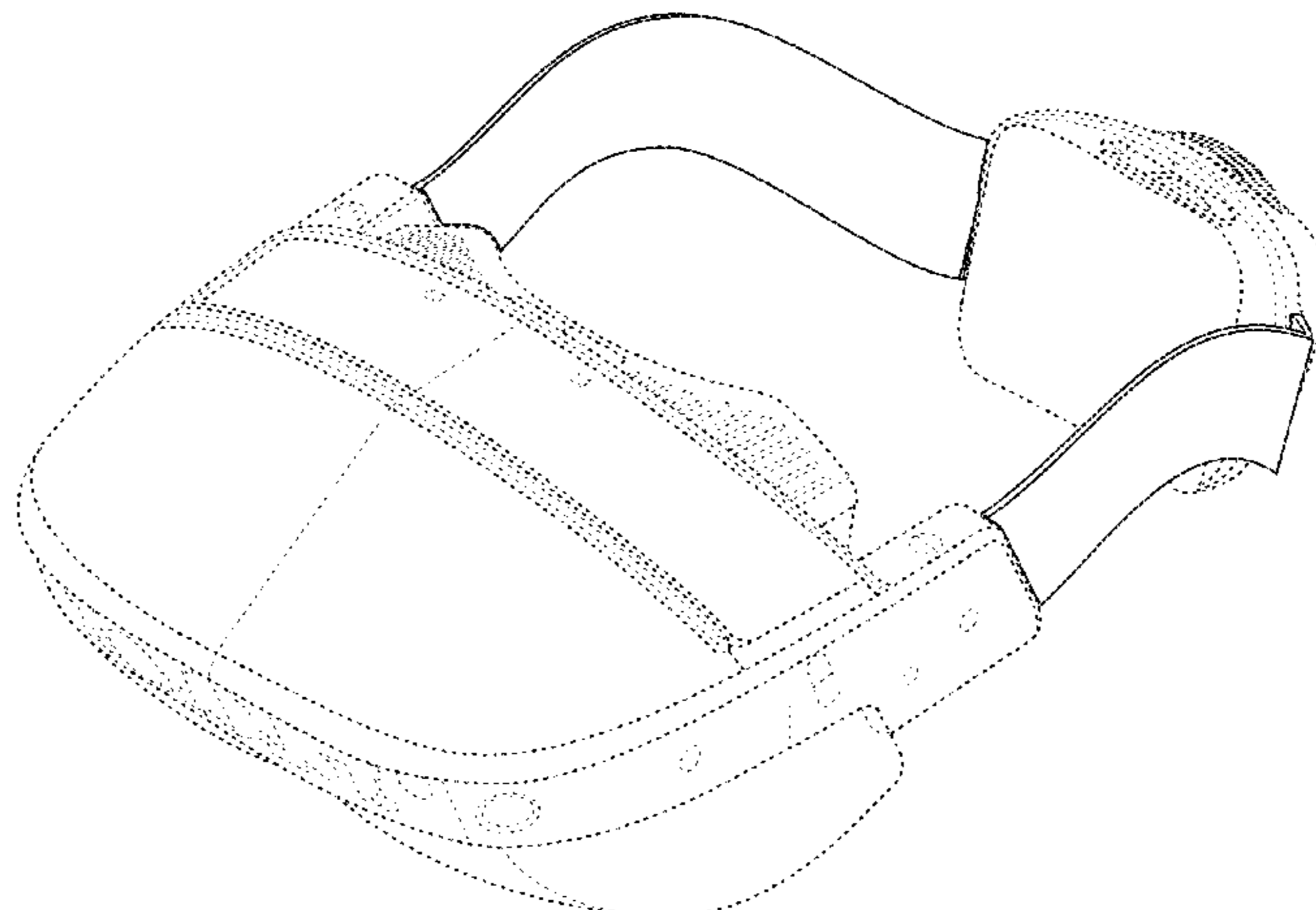
(58) **Field of Classification Search**
 USPC D14/372, 496, 432, 371, 125, 126, 129, D14/299; D16/300-342; 351/158, 153, 351/144; 345/7-9, 905; 455/344; 348/115, 53, 121, 739
 CPC G02B 27/017; G02B 27/0158; G02B 27/0161; G02B 27/0181; G02B 27/0185; G02B 27/0189

See application file for complete search history.

DESCRIPTION

FIG. 1 is a front perspective view of the head-mounted display;
 FIG. 2 is a rear perspective view thereof;
 FIG. 3 is a front view thereof;
 FIG. 4 is a rear view thereof;
 FIG. 5 is a left side view thereof;
 FIG. 6 is a right side view thereof;
 FIG. 7 is a top plan view thereof; and,
 FIG. 8 is a bottom plan view thereof.

(Continued)



The dashed lines in the drawing views depict portions of the design that form no part of the claim.

1 Claim, 8 Drawing Sheets

(56)

References Cited

U.S. PATENT DOCUMENTS

D761,257	S	7/2016	Passmore	
D764,465	S	8/2016	Clement	
D773,461	S *	12/2016	Jiang	D14/372
D780,751	S *	3/2017	Park	D14/372
D781,288	S *	3/2017	Park	D14/372
D783,019	S *	4/2017	Letbetter	D14/372
D785,619	S *	5/2017	Su	D14/372
9,638,921	B2 *	5/2017	Miller	G02B 27/0176
D791,125	S *	7/2017	Sullivan	D14/372
D791,126	S *	7/2017	Sullivan	D14/372
D791,129	S *	7/2017	Sullivan	D14/372
9,716,932	B2 *	7/2017	Miller	H04R 1/028
2017/0235143	A1	8/2017	Chi	

* cited by examiner

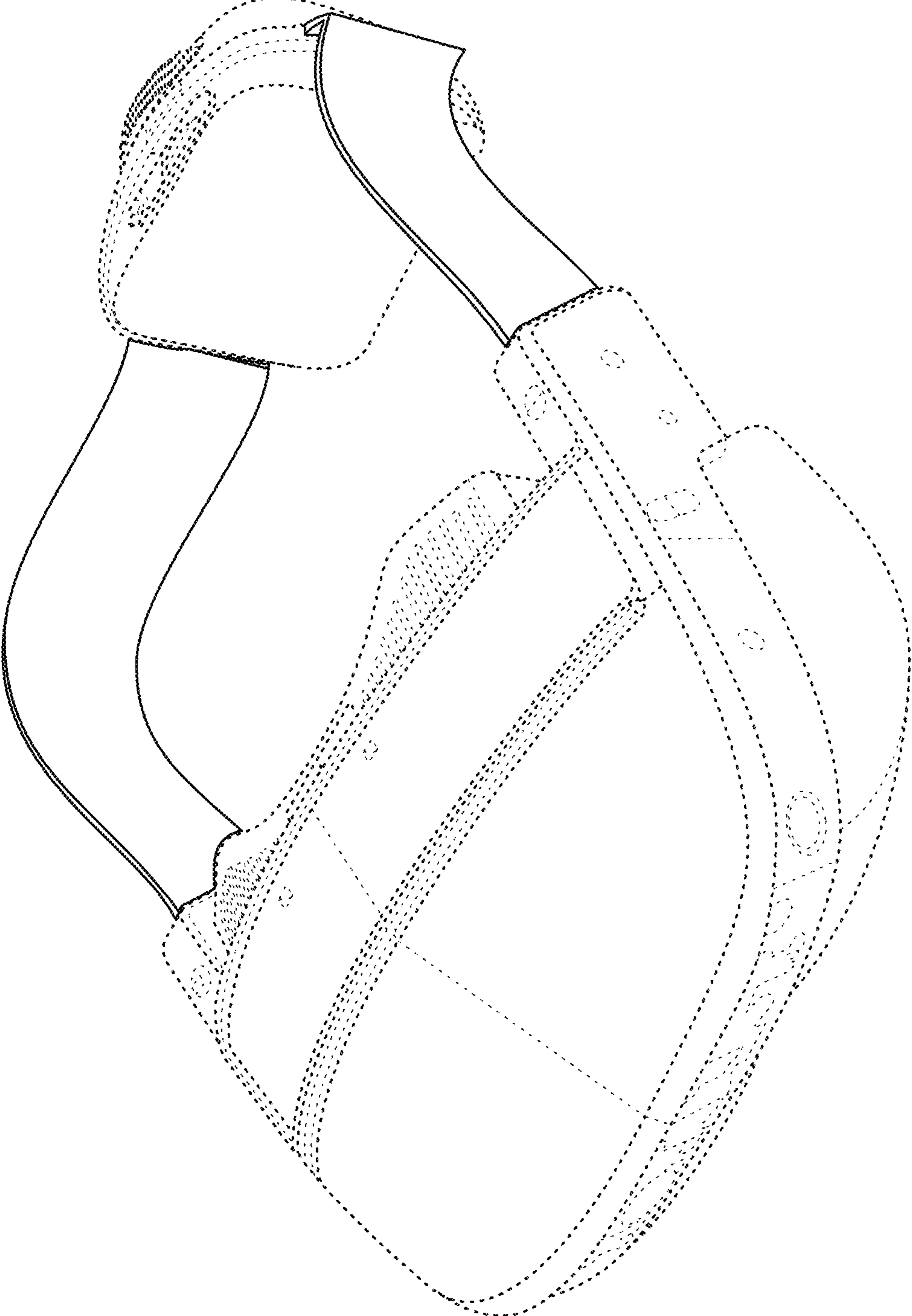


FIG. 1

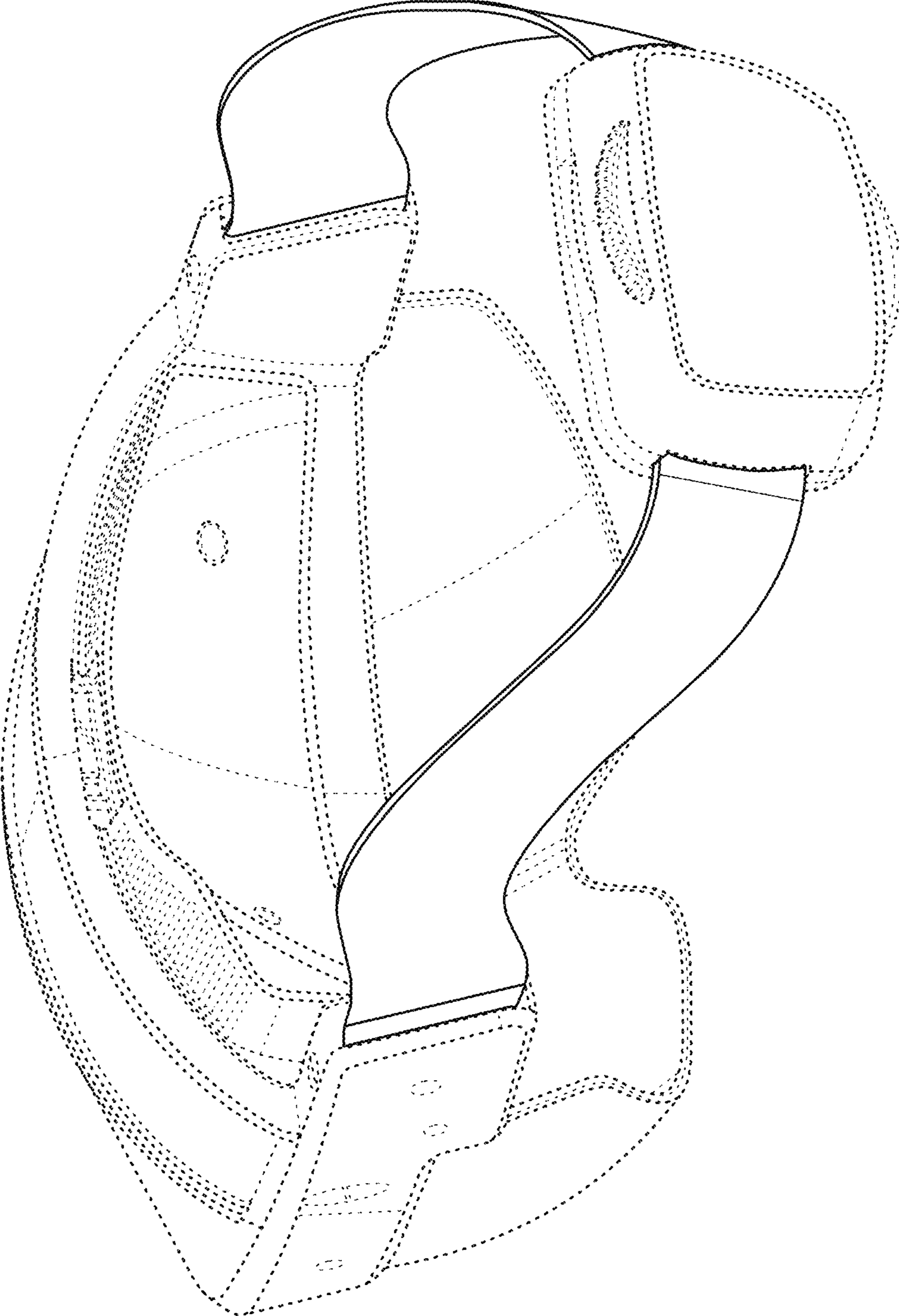


FIG. 2

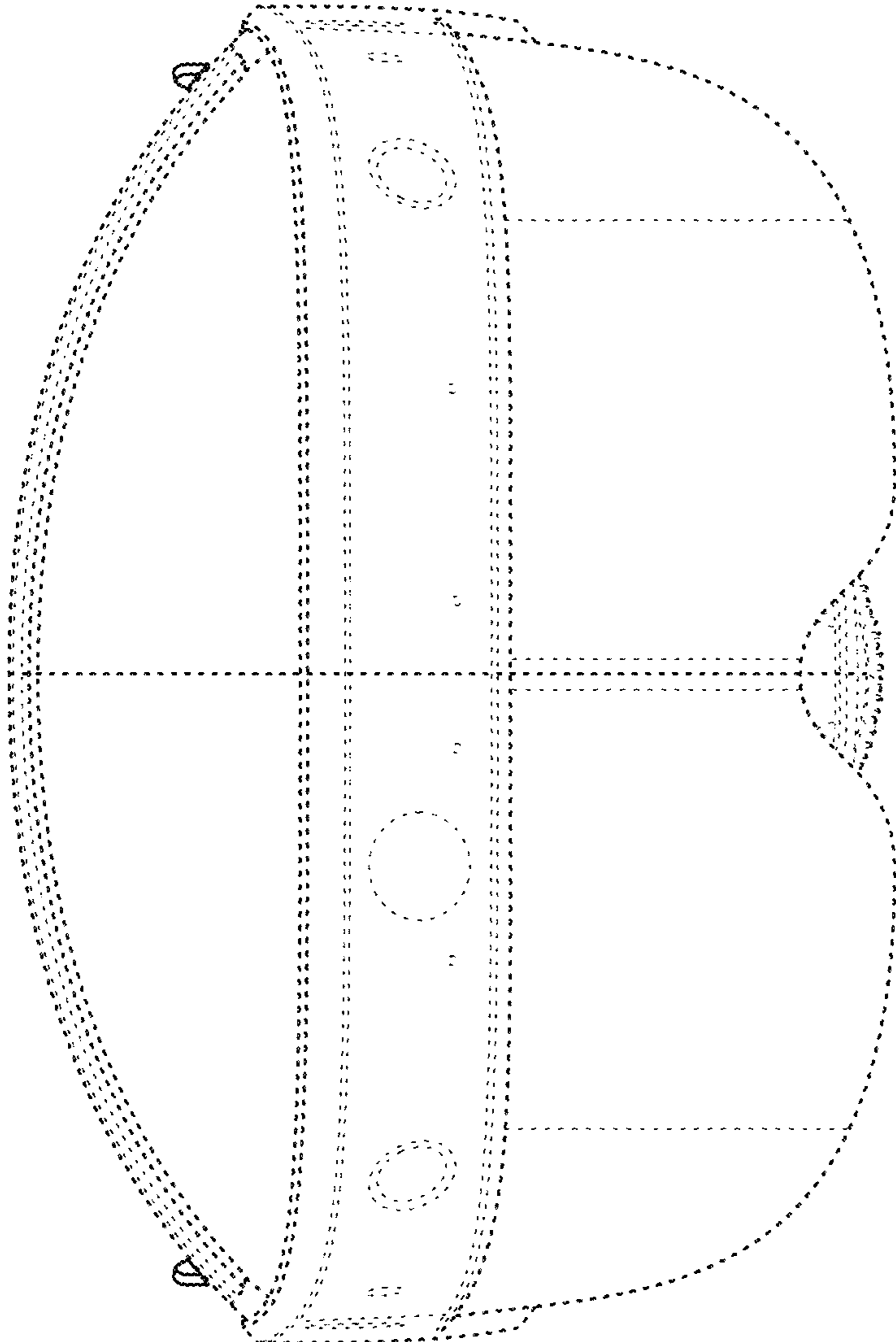


FIG. 3

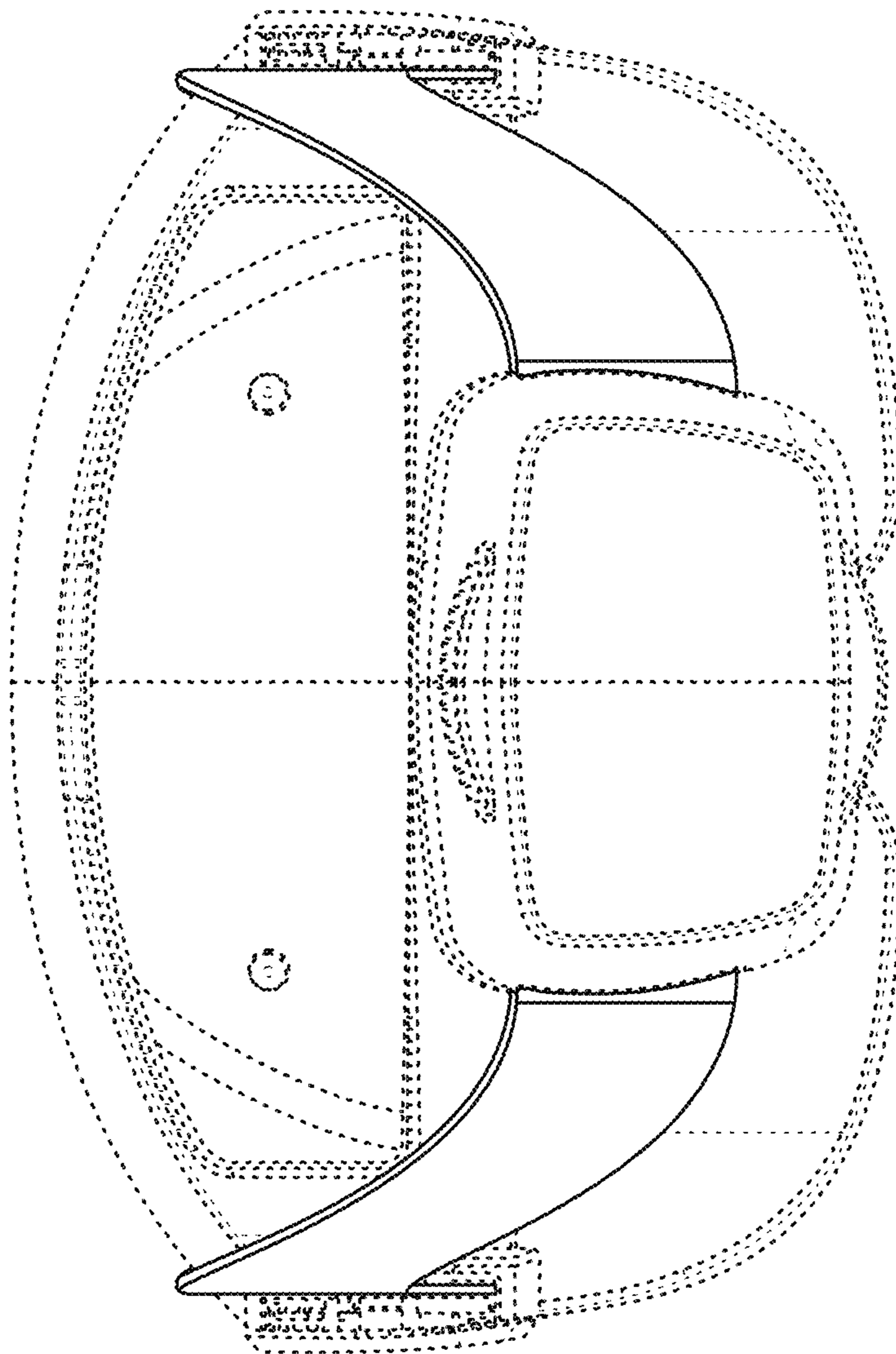


FIG. 4

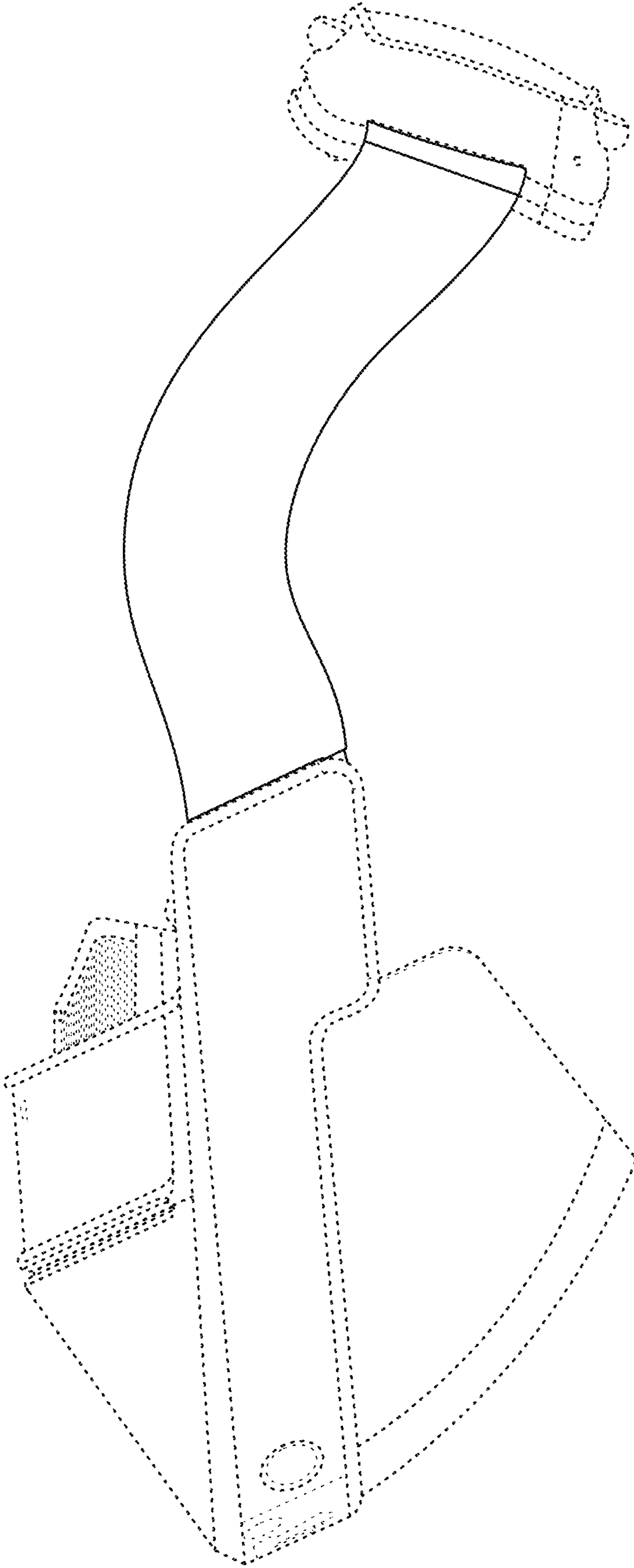


FIG. 5

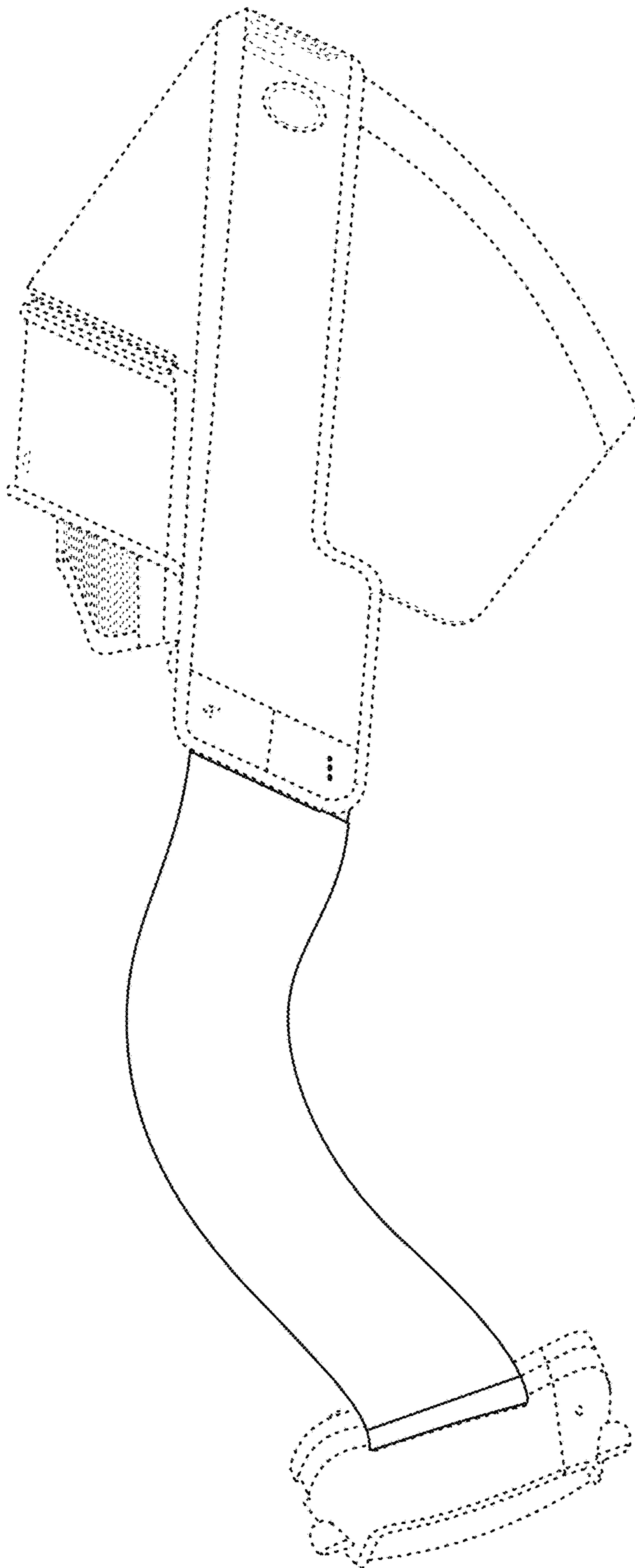


FIG. 6

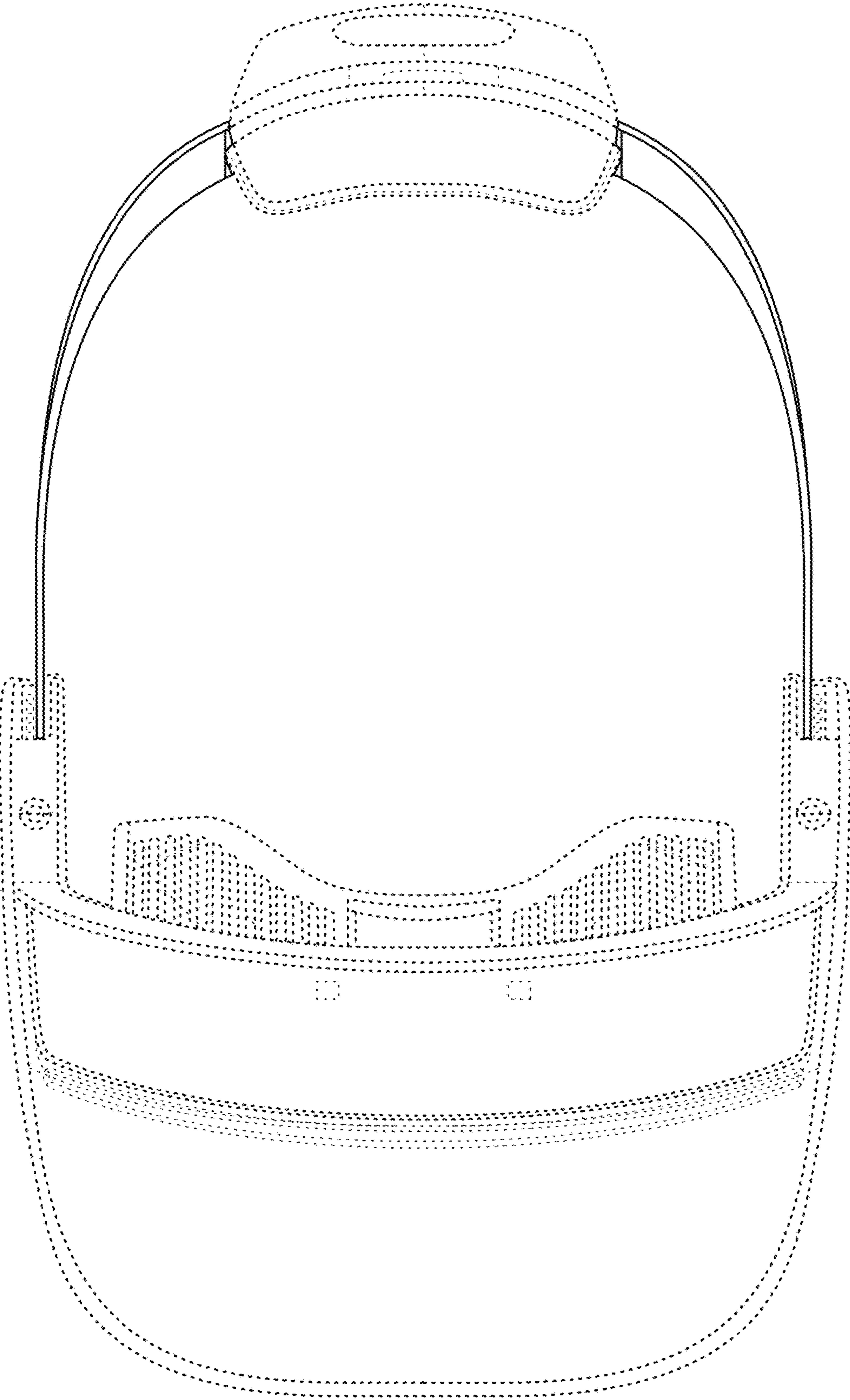


FIG. 7

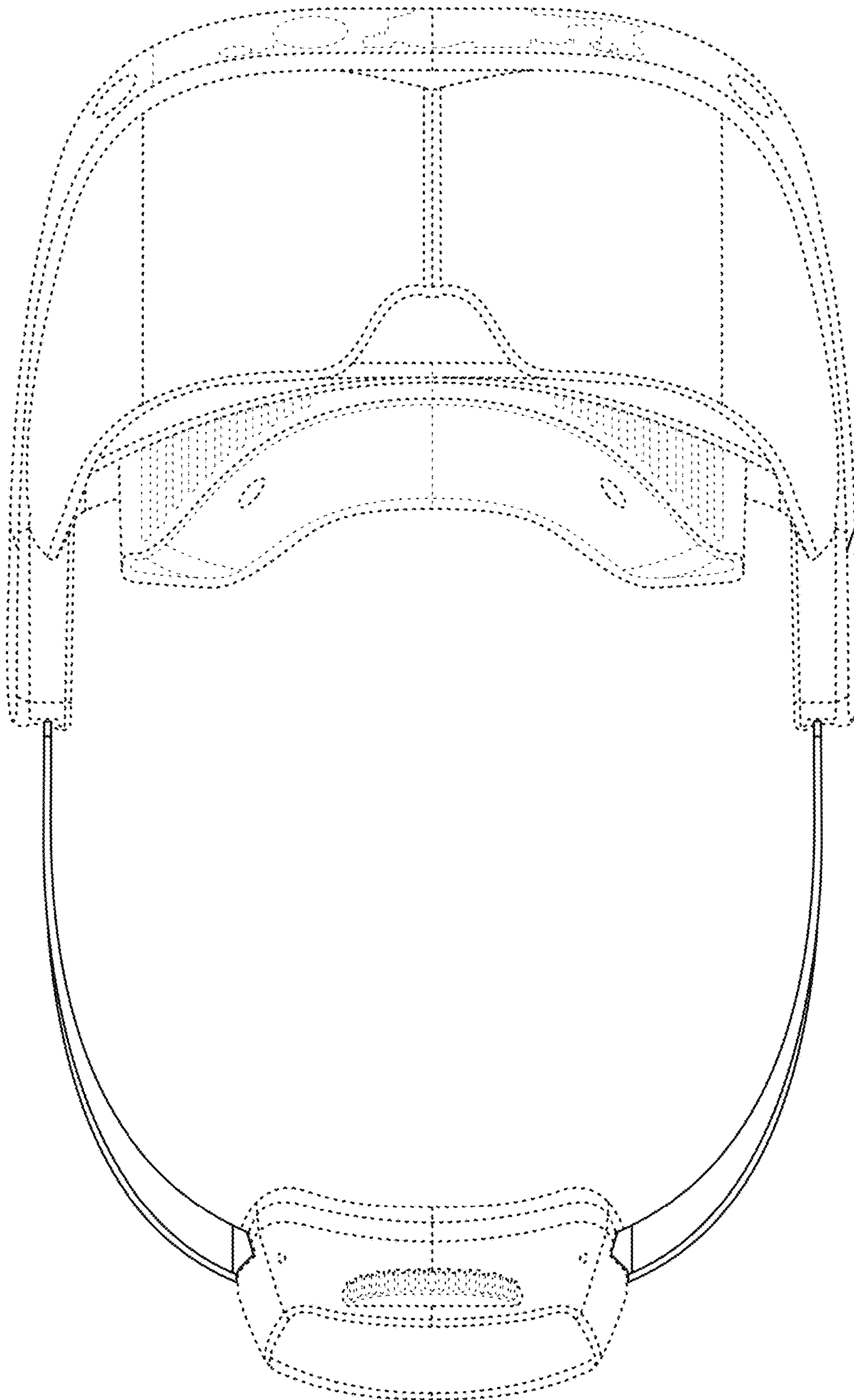


FIG. 8