

US00D807879S

(12) **United States Design Patent**
Kacin et al.

(10) **Patent No.:** **US D807,879 S**
(45) **Date of Patent:** **** Jan. 16, 2018**

(54) **COMPUTING DEVICE**

(71) Applicant: **LARC Networks, Inc.**, Los Altos, CA (US)

(72) Inventors: **Martin Kacin**, Los Altos Hills, CA (US); **Steve Eckland**, Palo Alto, CA (US); **Robert Alexander Garrow, Jr.**, Los Altos Hills, CA (US); **Kirk Lynn Reistroffer**, Fremont, CA (US)

(73) Assignee: **LARC Networks, Inc.**, Los Altos, CA (US)

(**) Term: **15 Years**

(21) Appl. No.: **29/576,338**

(22) Filed: **Sep. 1, 2016**

(51) **LOC (11) Cl.** **14-02**

(52) **U.S. Cl.**

USPC **D14/356**; D14/308

(58) **Field of Classification Search**

USPC D14/356-358, 361, 362, 365, 367, 370, D14/388, 432, 496, 125, 140, 142, 155, D14/168, 240, 243, 299, 188, 300, 301, D14/302, 308, 314, 330, 348, 349, 363, D14/364, 204, 210, 214, 215, 221; D13/103, 107, 108, 123, 152, 158, 159, D13/162.1, 182, 199, 110, 151, 162, 184; D9/414, 430, 432; D3/273
CPC ... G06F 1/00; G06F 1/16; G06F 1/181; G06F 1/183; G06F 1/184; G06F 1/187; G06F 1/1688; G06F 17/30026; H05K 5/00; H05K 7/00; H05K 7/14; H05K 7/1425; H05K 7/1427; H05K 7/1431; H05K 7/1488; H05K 7/16

See application file for complete search history.

(56) **References Cited**

U.S. PATENT DOCUMENTS

D430,565 S * 9/2000 Crane, Jr. 273/146
D460,437 S * 7/2002 Lancaster D14/214

D460,451 S * 7/2002 Andre D14/356
D461,187 S * 8/2002 Andre D14/356
D461,804 S * 8/2002 Carey D14/356
D473,052 S * 4/2003 Dehenau D3/273
D505,746 S * 5/2005 Chen D27/141
D508,491 S * 8/2005 Choi D14/356
D526,648 S * 8/2006 Andre D14/314
D537,817 S * 3/2007 Andre D14/314
D542,288 S * 5/2007 Andre D14/314
D598,906 S * 8/2009 Chiba D14/240
D618,232 S * 6/2010 O'Neil D14/314
D649,148 S * 11/2011 Gengoux D14/300
D669,500 S * 10/2012 Dangerfield D14/203.1
D680,097 S * 4/2013 Davies D14/204
D722,099 S * 2/2015 Lee D16/225
D729,759 S * 5/2015 Filo D14/155

(Continued)

Primary Examiner — Susan Bennett Hattan

Assistant Examiner — Marie D. Fast Horse

(74) *Attorney, Agent, or Firm* — Fenwick & West LLP

(57)

CLAIM

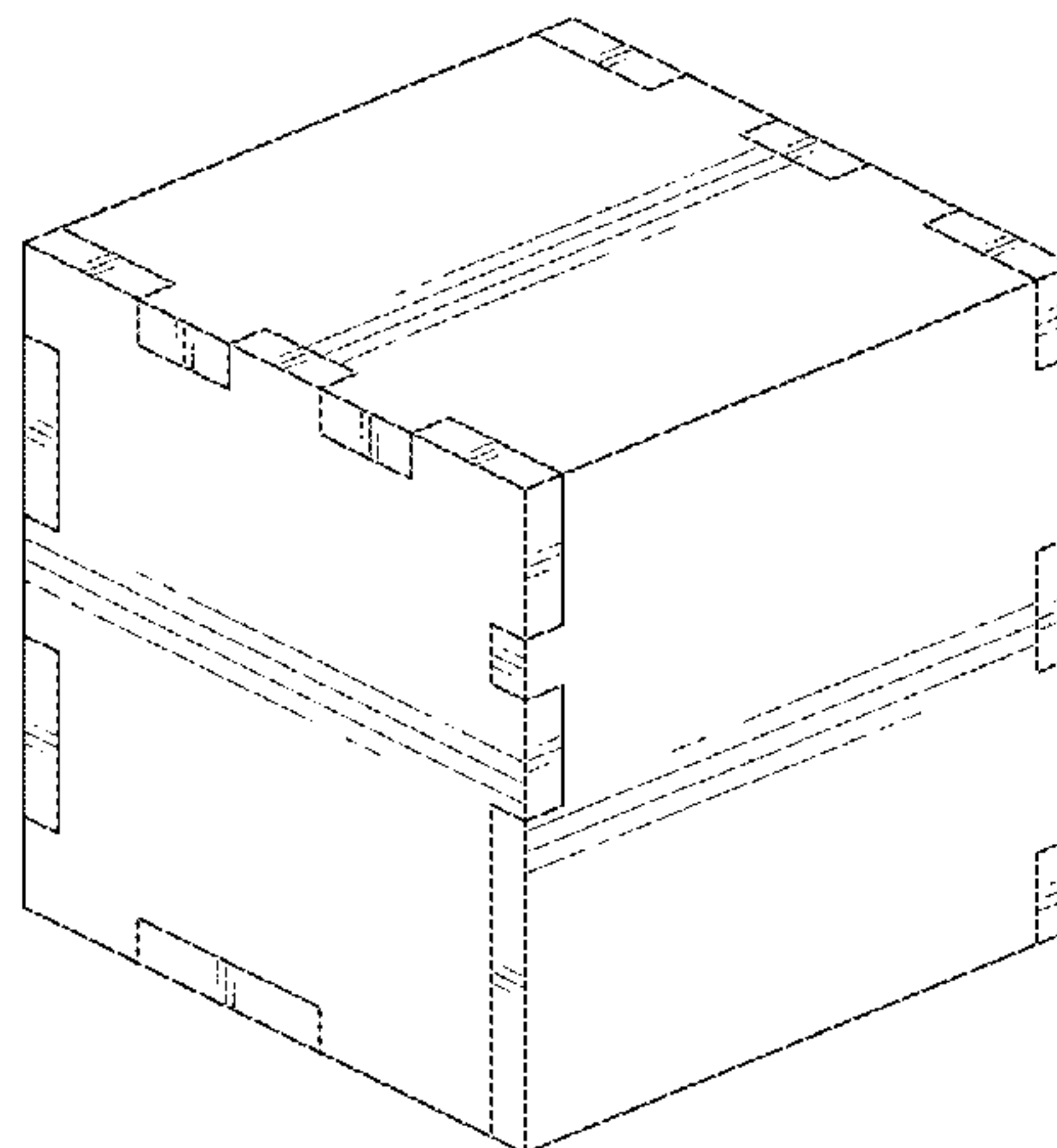
We claim the ornamental design for a computing device, as shown and described.

DESCRIPTION

FIG. 1 is a top, front, and right side perspective view of a computing device;
FIG. 2 is a top, rear, and left side perspective view thereof;
FIG. 3 is a front view thereof;
FIG. 4 is a rear view thereof;
FIG. 5 is a left side view thereof;
FIG. 6 is a right side view thereof;
FIG. 7 is a top view thereof; and,
FIG. 8 is a bottom view thereof.

The broken lines in the drawings depict portions of the computing device that form no part of the claimed design.

1 Claim, 8 Drawing Sheets



(56)

References Cited

U.S. PATENT DOCUMENTS

D745,384 S * 12/2015 Park D9/414
D748,495 S * 2/2016 Young D9/432
D754,101 S * 4/2016 McManigal D14/214
D760,187 S * 6/2016 Kouthoofd D14/204
D761,230 S * 7/2016 Si D14/214
D763,818 S * 8/2016 Yang D14/204
D769,941 S * 10/2016 Srivatsan D14/496
D771,383 S * 11/2016 Vincent D3/310
D772,221 S * 11/2016 Kacin D14/308
D772,222 S * 11/2016 Kacin D14/308
D772,223 S * 11/2016 Kacin D14/308
D772,224 S * 11/2016 Kacin D14/308
D774,488 S * 12/2016 Magi D14/204
D785,365 S * 5/2017 Newlin D6/526
2015/0271937 A1 * 9/2015 Zheng G06F 1/181
312/293.2
2016/0066474 A1 * 3/2016 Fu G06F 1/206
165/287
2017/0048998 A1 * 2/2017 Lee G06F 1/16

* cited by examiner

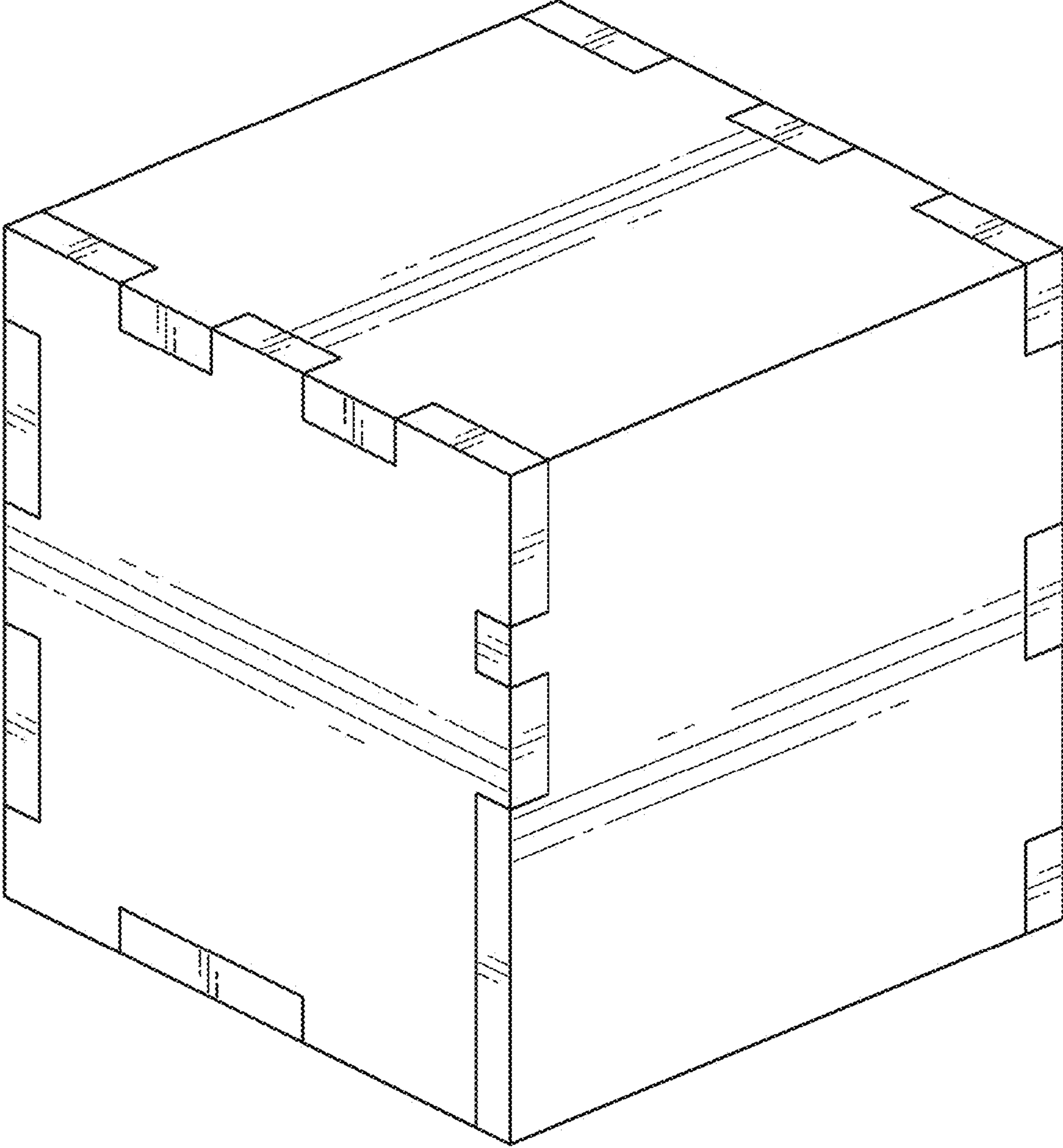


FIG. 1

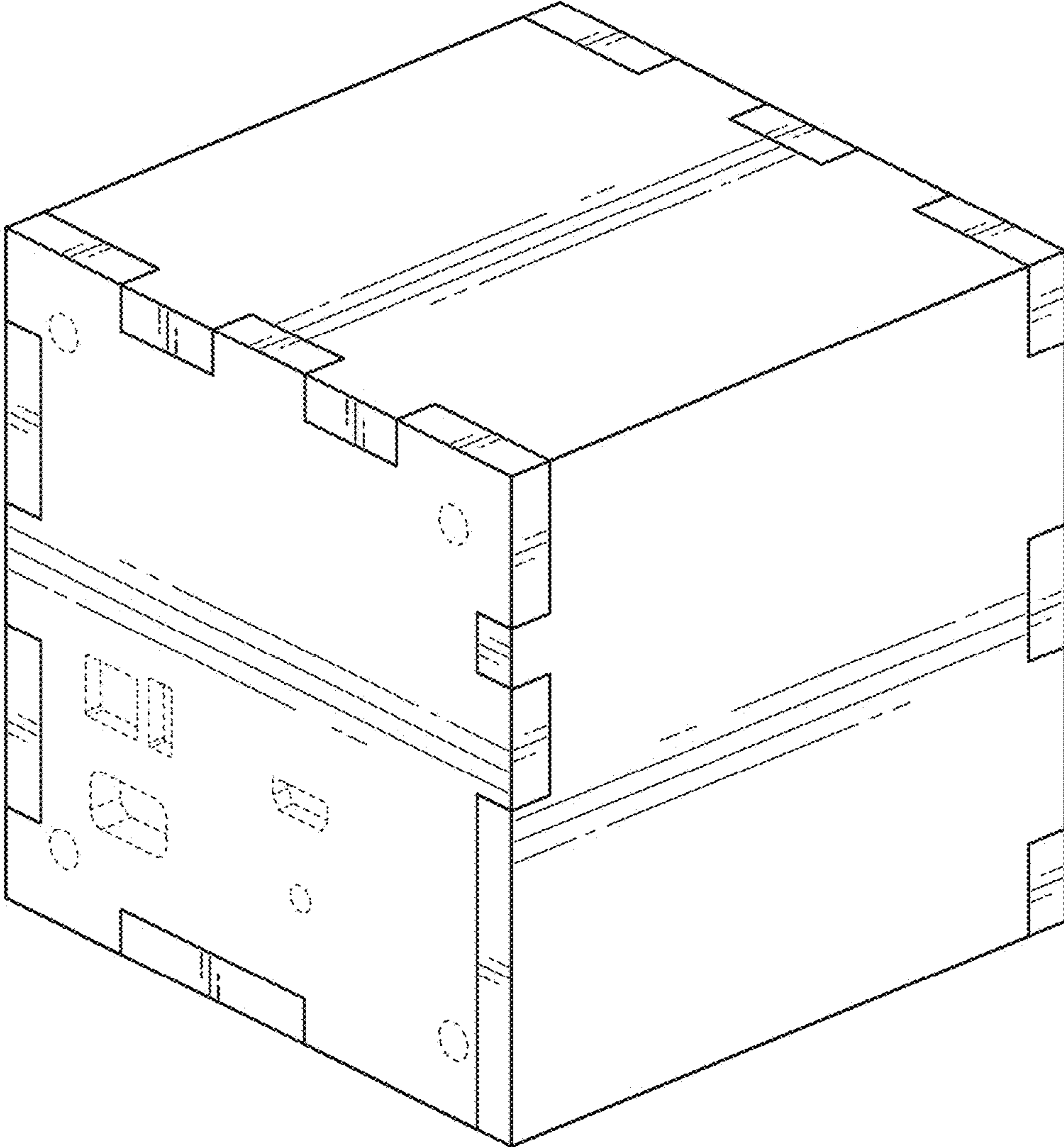


FIG. 2

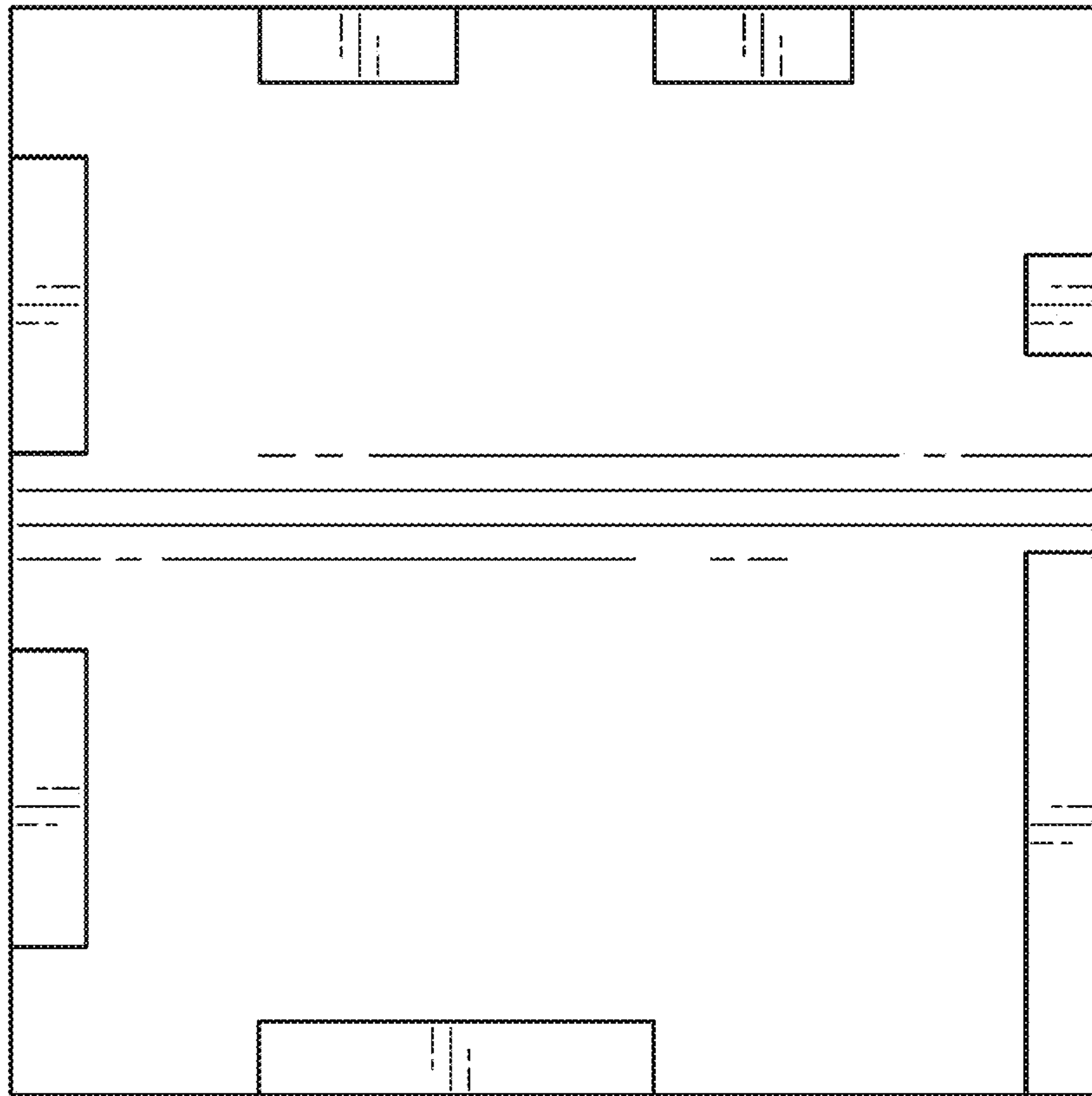


FIG. 3

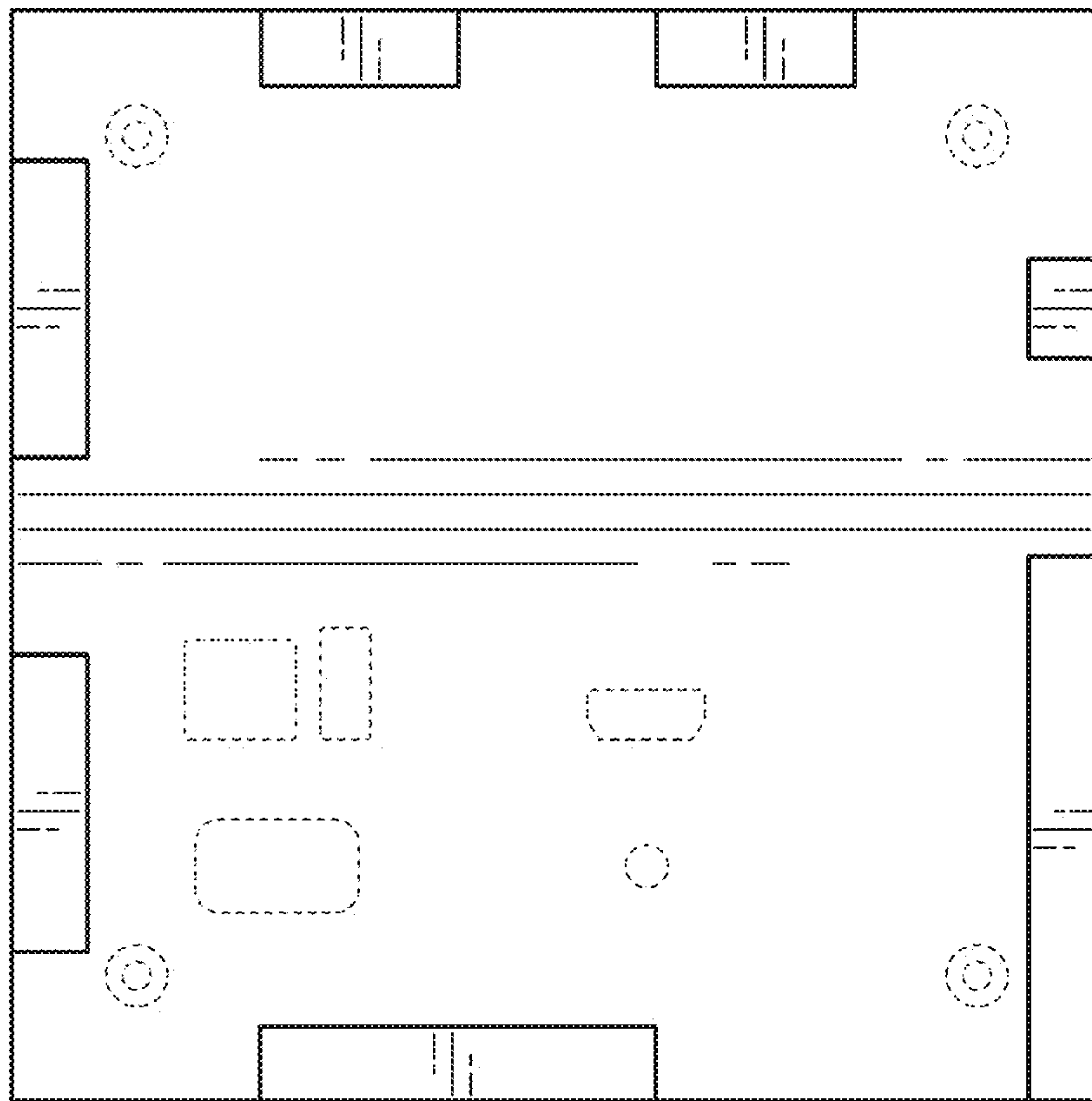


FIG. 4

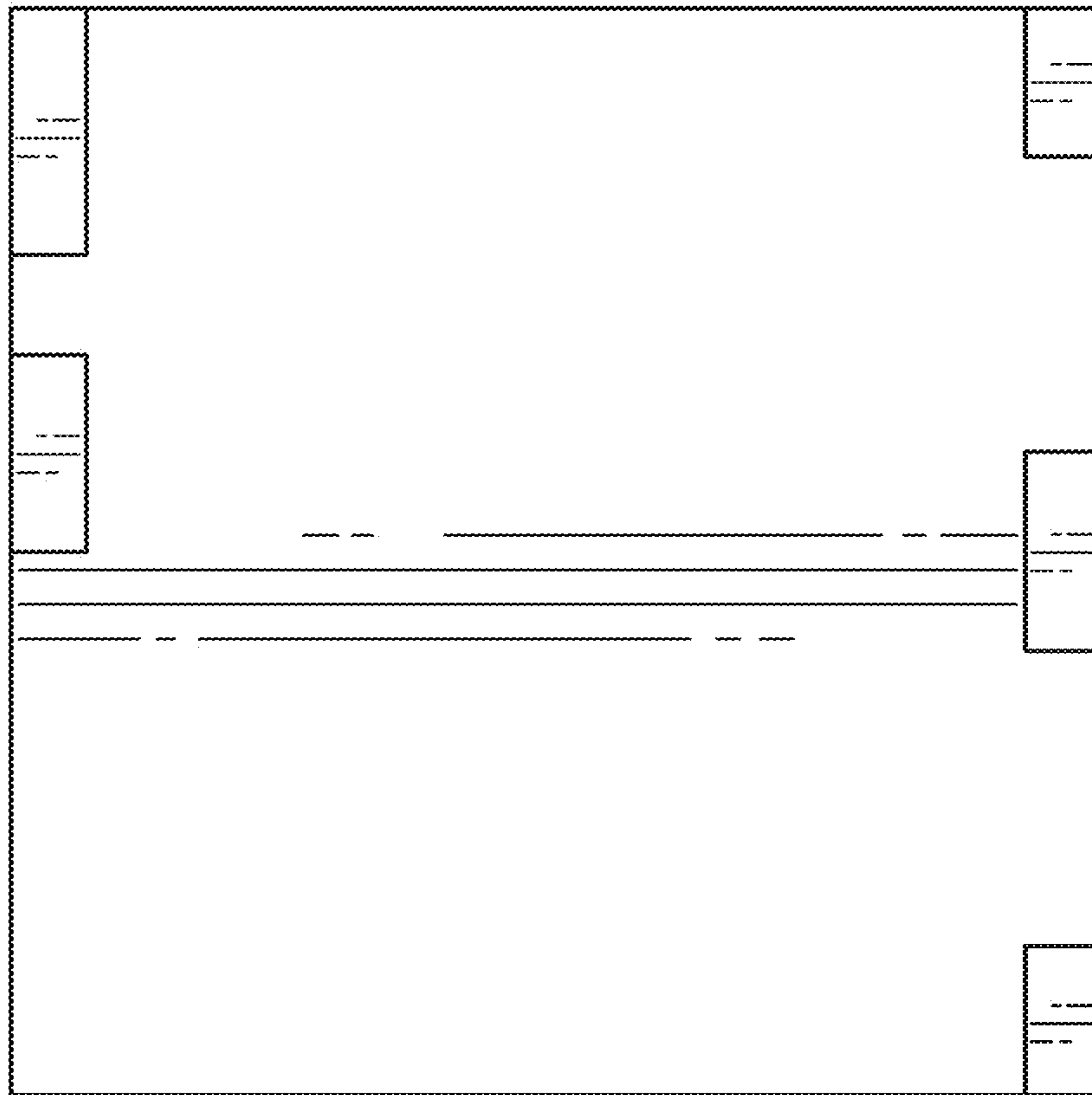


FIG. 5

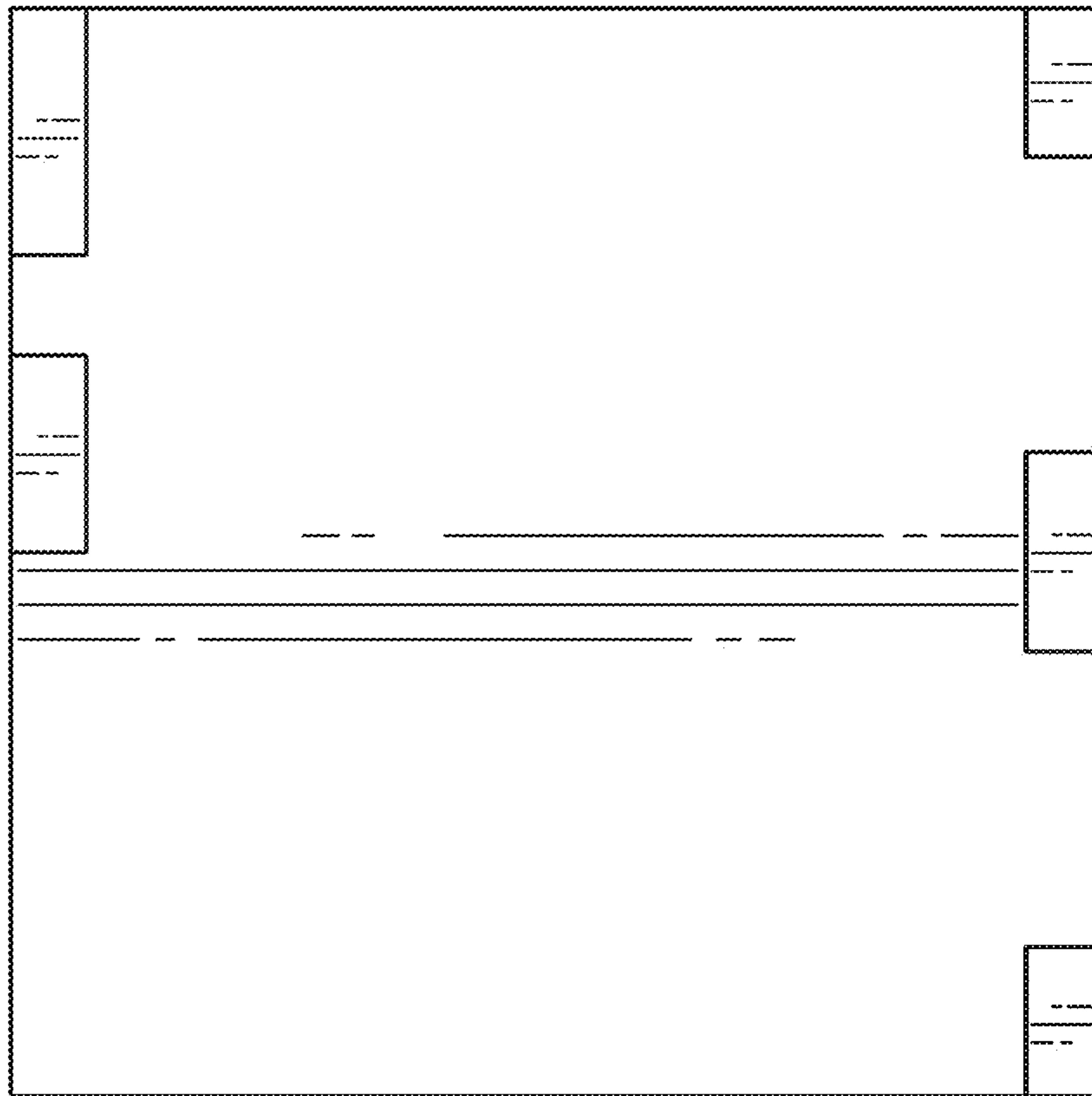


FIG. 6

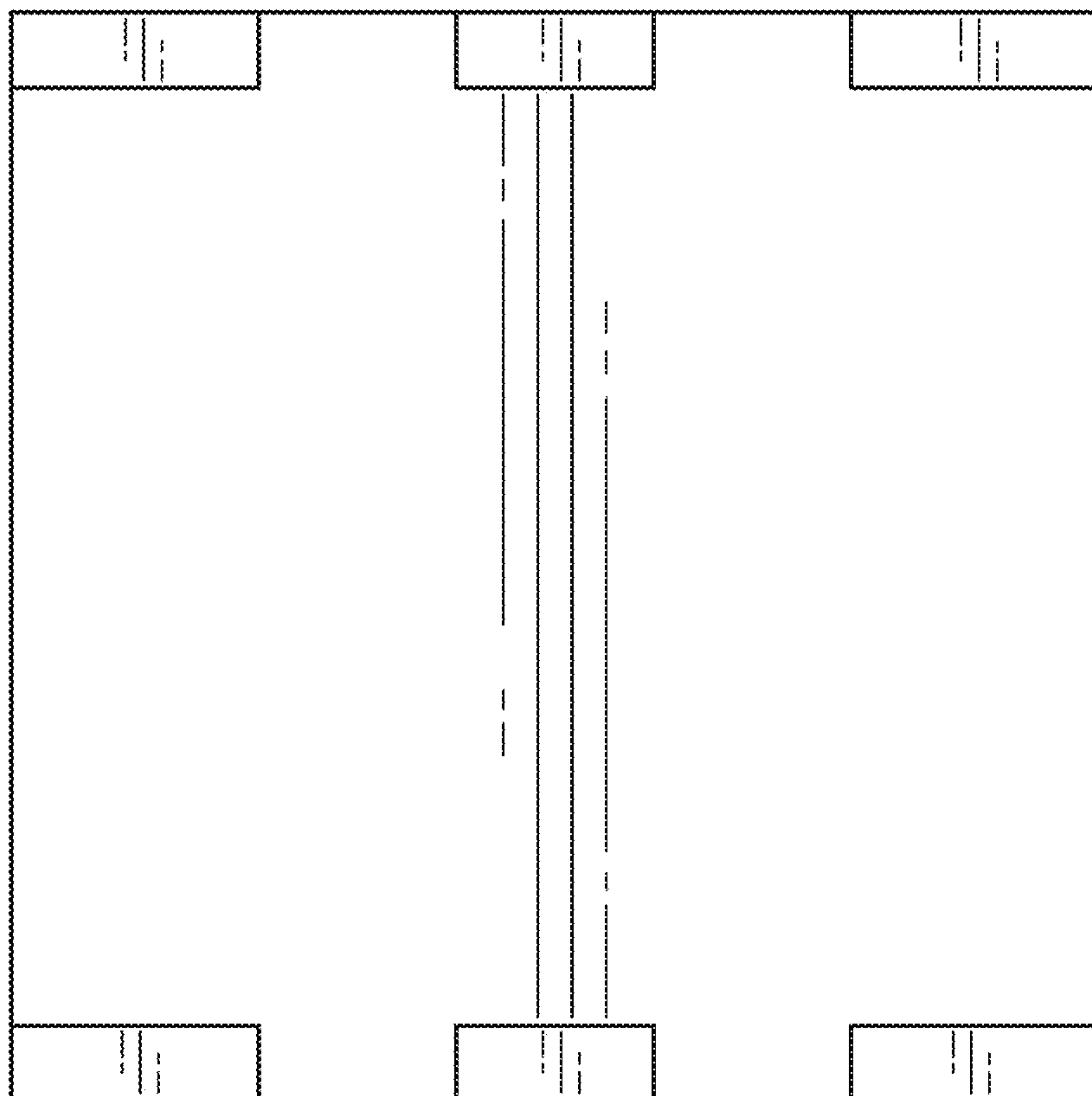


FIG. 7

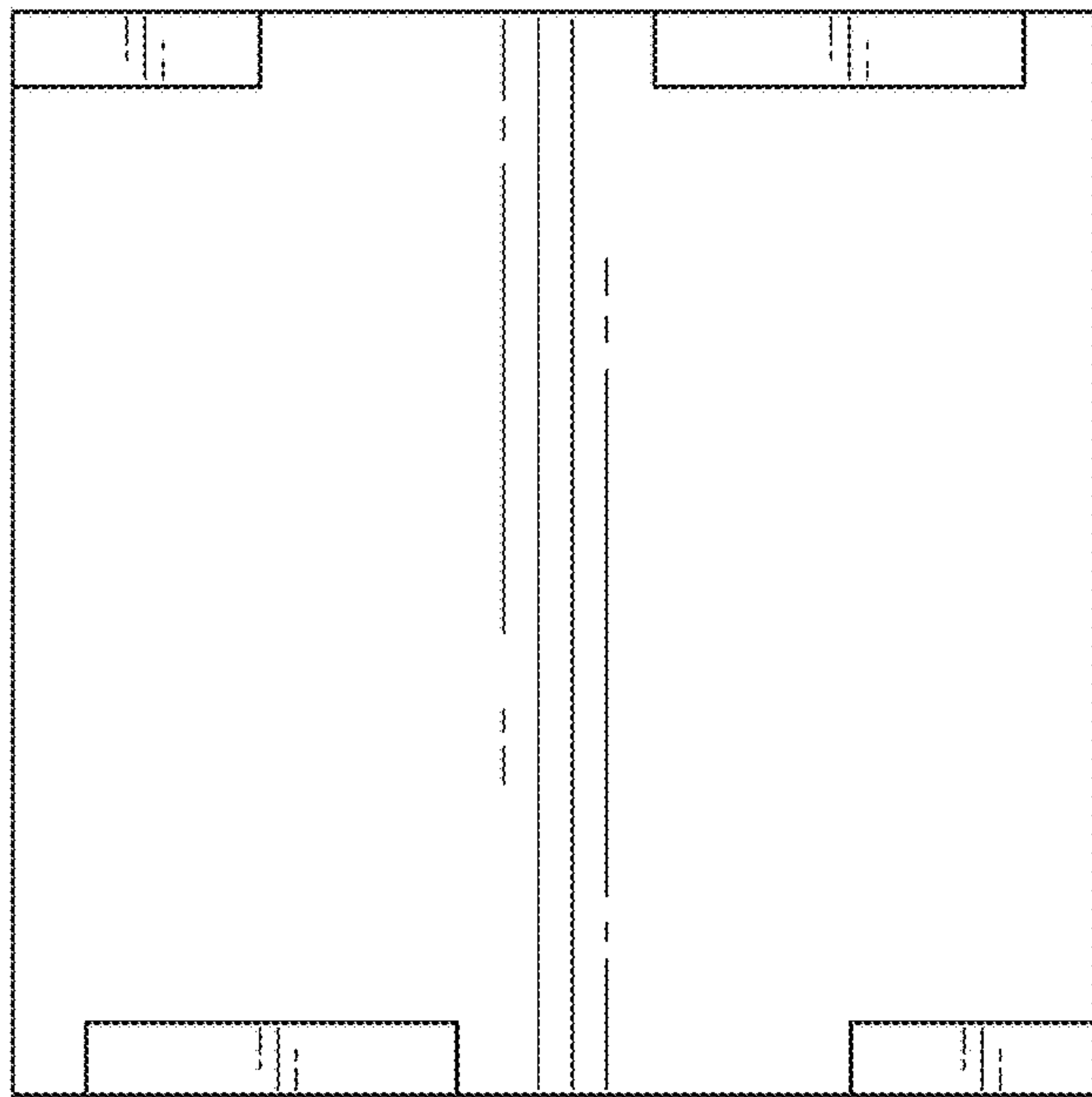


FIG. 8