



US00D807878S

(12) **United States Design Patent**
Kim et al.

(10) **Patent No.:** **US D807,878 S**
(45) **Date of Patent:** **** Jan. 16, 2018**

(54) **ELECTRONIC DEVICE**
(71) Applicant: **Samsung Electronics Co., Ltd.**,
Suwon-si (KR)
(72) Inventors: **Sungkwon Kim**, Seoul (KR); **Chungha Kim**, Seoul (KR); **Kwaneui Hong**,
Yongin-si (KR)
(73) Assignee: **SAMSUNG ELECTRONICS CO., LTD.**, Suwon-si (KR)

D696,254 S * 12/2013 Groene D14/341
D705,778 S * 5/2014 Groene et al.
D713,403 S * 9/2014 Groene D14/341
D716,293 S * 10/2014 Hwang D14/341
D720,746 S * 1/2015 Chung D14/341
D725,651 S * 3/2015 Green D14/341
D727,315 S * 4/2015 Jensen D14/341
9,025,321 B2 * 5/2015 Liang G06F 1/1669
361/679.01
D733,126 S * 6/2015 Sung D14/341

(Continued)

(**) Term: **15 Years**
(21) Appl. No.: **29/548,490**
(22) Filed: **Dec. 14, 2015**

(30) **Foreign Application Priority Data**

Jun. 24, 2015 (KR) 30-2015-0031948

(51) **LOC (11) Cl.** **14-02**
(52) **U.S. Cl.**
USPC **D14/345**

(58) **Field of Classification Search**
USPC D14/253, 440, 203.1, 203.4, 203.7,
D14/341-347, 337, 374, 137, 138 AB,
D14/138 AA, 138 G, 138 R; D10/65;
D21/329, 330; D6/310
CPC G06F 3/016; G06F 3/0202; G06F 3/04845;
G06F 13/385; H04N 17/00; H04N 5/30;
H04N 5/66; H04N 5/2251; H04M 1/0214
See application file for complete search history.

(56) **References Cited**

U.S. PATENT DOCUMENTS

D677,660 S * 3/2013 Groene D14/341
D678,272 S * 3/2013 Groene D14/341
D678,877 S * 3/2013 Groene D14/341
D691,575 S * 10/2013 Park D14/138 AD
D691,980 S * 10/2013 Park D14/138 G
D691,996 S * 10/2013 Ohshima D14/341

OTHER PUBLICATIONS

<http://tonoch.com/open.asp?id=1749&pid=1>.

(Continued)

Primary Examiner — Barbara Fox

(74) *Attorney, Agent, or Firm* — McAndrews Held & Malloy, Ltd.

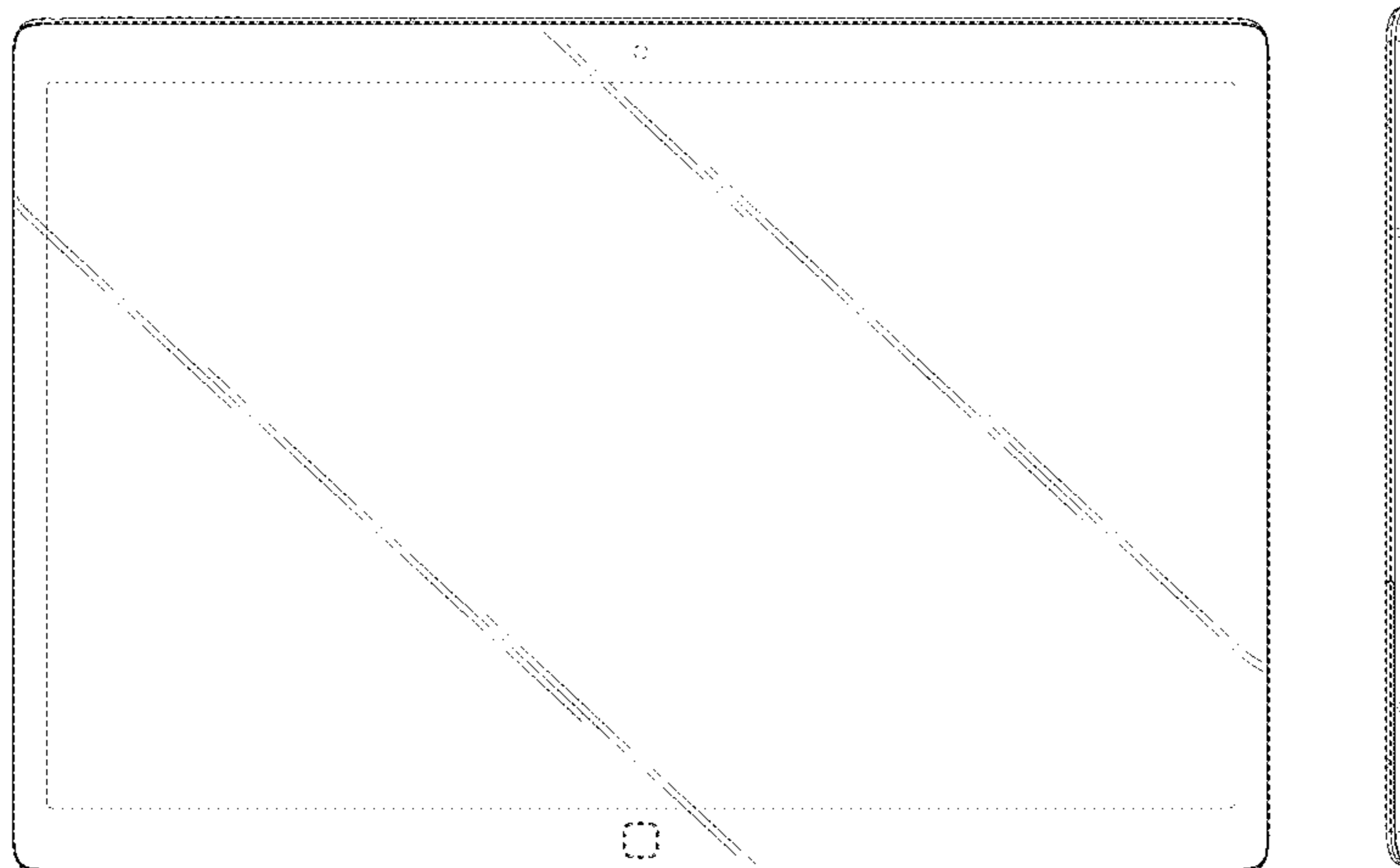
(57) **CLAIM**

The ornamental design for an electronic device, as shown and described.

DESCRIPTION

FIG. 1 is a front right perspective view of an electronic device showing our new design;
FIG. 2 is a front elevation view thereof;
FIG. 3 is a rear elevation view thereof;
FIG. 4 is a left-side elevation view thereof;
FIG. 5 is a right-side elevation view thereof;
FIG. 6 is a top plan view thereof;
FIG. 7 is a bottom plan view thereof;
FIG. 8 is a rear right perspective view thereof;
FIG. 9 is a front left perspective view thereof; and,
FIG. 10 is a rear left perspective view thereof, in an alternative position.
The dashed broken lines depict portions of the electronic device that form no part of the claimed design.

1 Claim, 8 Drawing Sheets



(56)

References Cited

U.S. PATENT DOCUMENTS

D733,127 S * 6/2015 Sung D14/341
D733,128 S * 6/2015 Seoc D14/341
D736,202 S * 8/2015 Solomon D14/341
D736,203 S * 8/2015 Kim D14/341
D736,763 S * 8/2015 Yum D14/341
D741,319 S * 10/2015 Yun D14/341
9,164,551 B2 * 10/2015 Chen G06F 1/1669
D743,961 S * 11/2015 Oh D14/341
D745,510 S * 12/2015 Lee D14/341
D745,511 S * 12/2015 Lee D14/336
D749,070 S * 2/2016 Oh D14/341
D754,655 S * 4/2016 Groene D14/341
9,317,072 B2 * 4/2016 Park G06F 1/1681
D757,712 S * 5/2016 Chae D14/341
D757,715 S * 5/2016 Choi D14/341
9,436,229 B2 * 9/2016 Yoo G06F 1/1637
D780,174 S * 2/2017 Park D14/341

D781,848 S * 3/2017 Kim D14/341
D782,469 S * 3/2017 Raken D14/341
D782,470 S * 3/2017 Raken D14/341
D789,356 S * 6/2017 Cebe D14/315
2005/0052831 A1 * 3/2005 Chen G06F 1/1616
361/679.11
2014/0185218 A1 * 7/2014 Chen G06F 1/1669
361/679.09
2015/0365124 A1 * 12/2015 Choi H04L 31/3888
455/575.8

OTHER PUBLICATIONS

<http://www.joybay.co.kr/au/shop.item/281100112627> (Last
accessed May 13, 2015).
<http://logfile.tistory.com/1225#.VTS5YNK8PRY> (Last accessed
Apr. 20, 2015).

* cited by examiner

FIG. 1

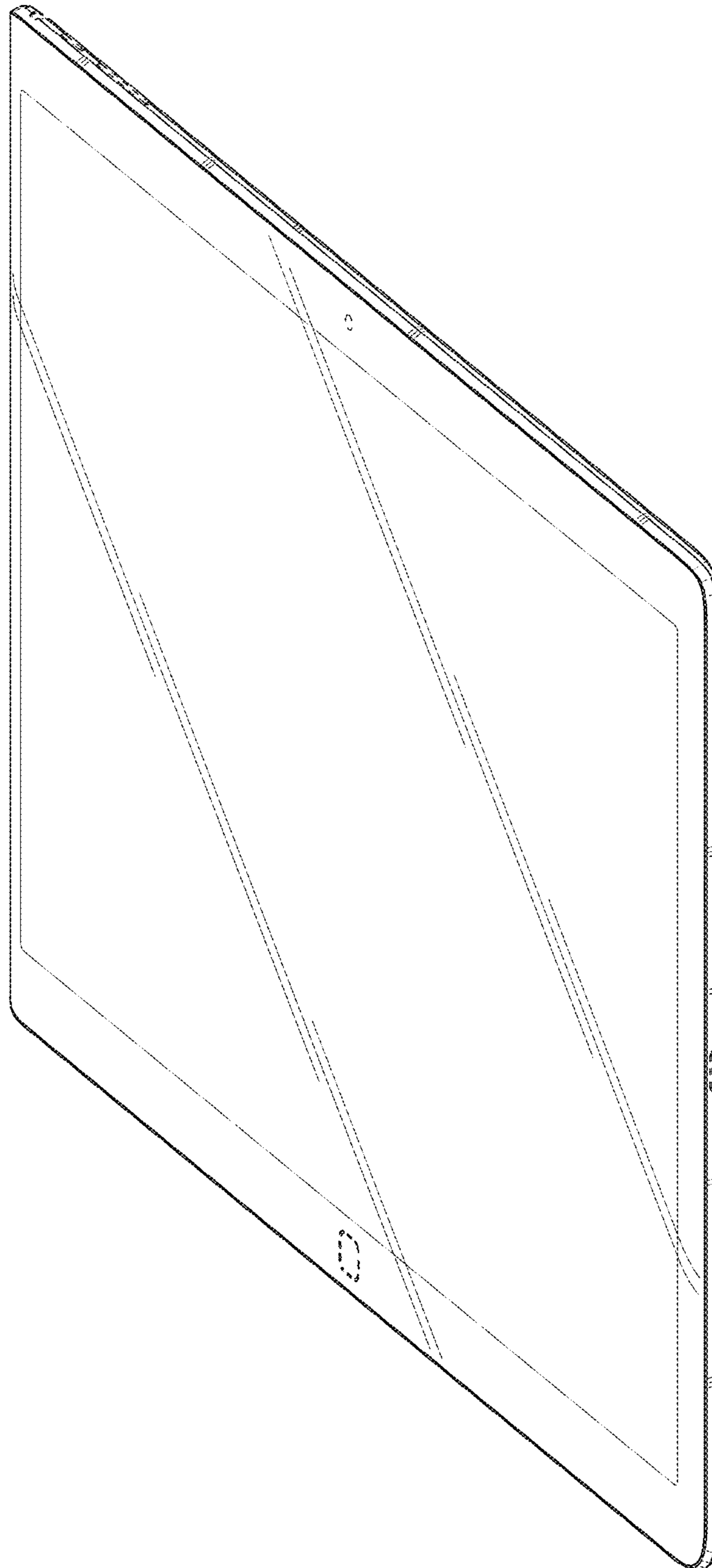


FIG. 2

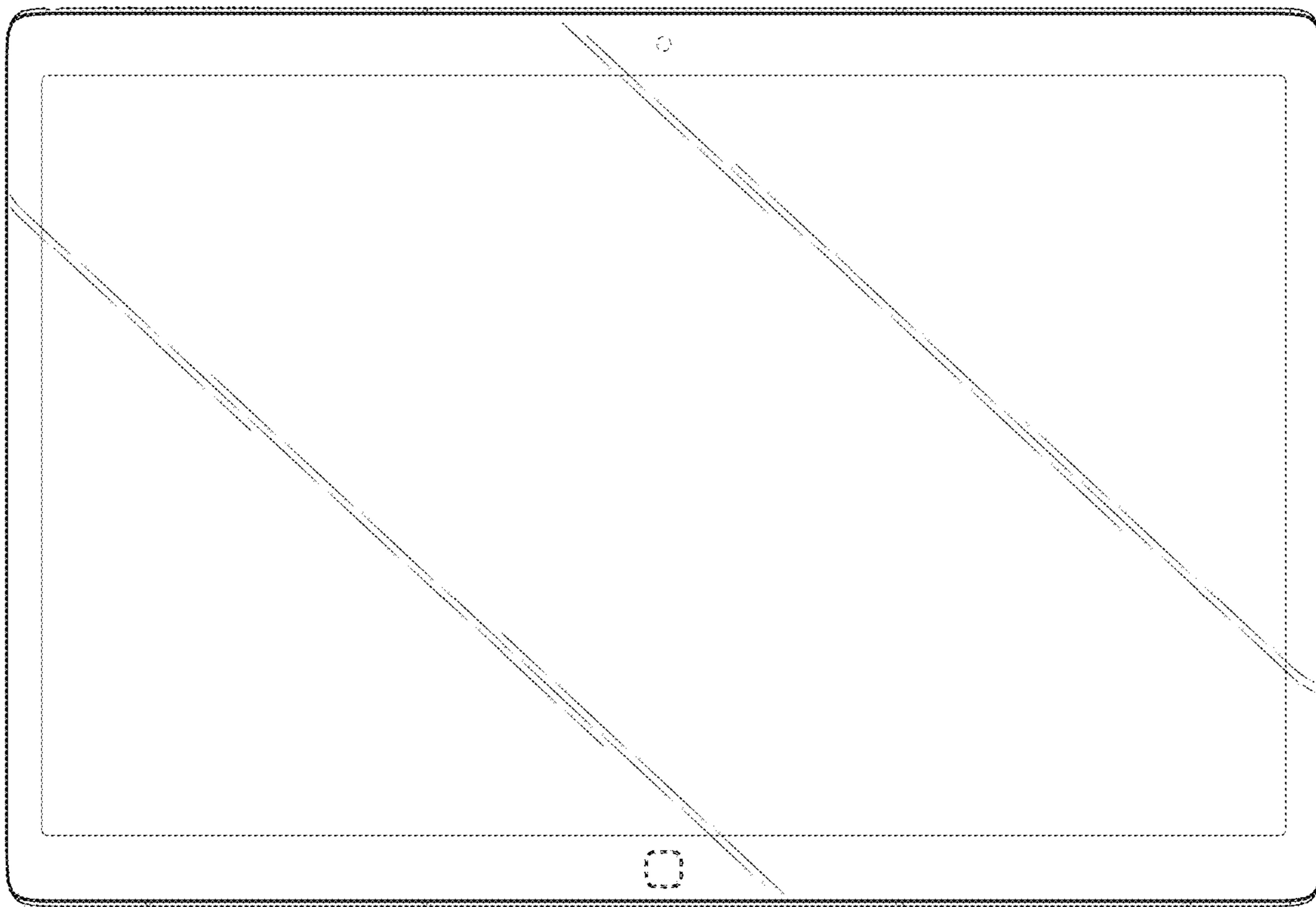


FIG. 3

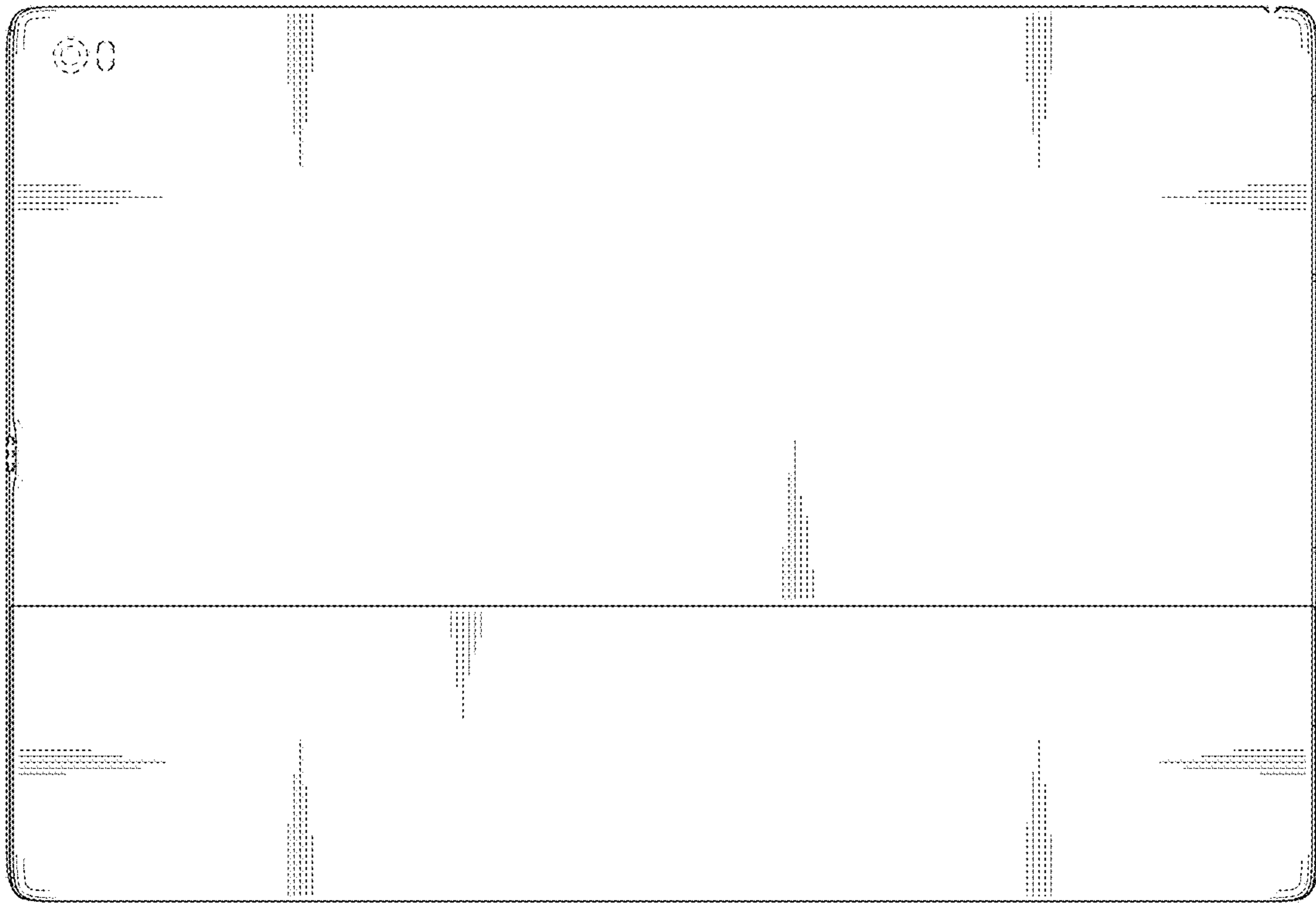


FIG. 4

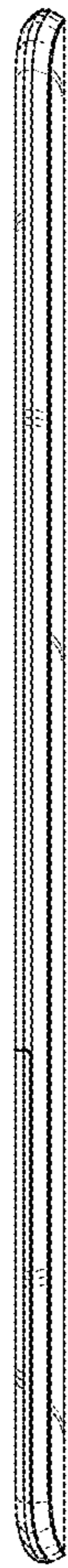


FIG. 5



FIG. 6

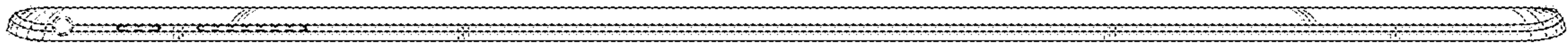


FIG. 7

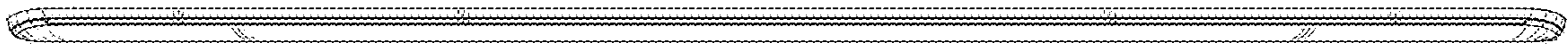


FIG. 8

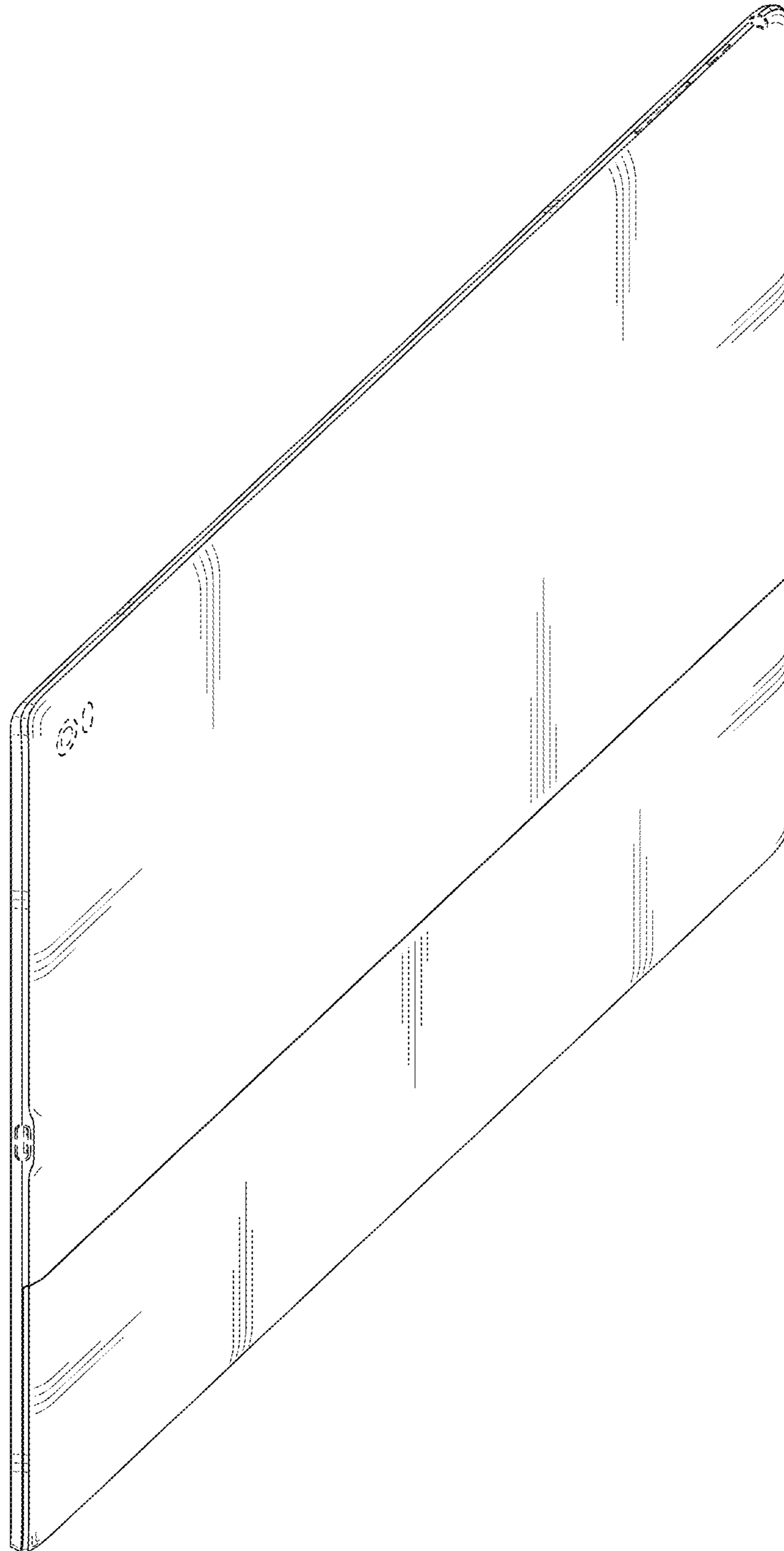


FIG. 9

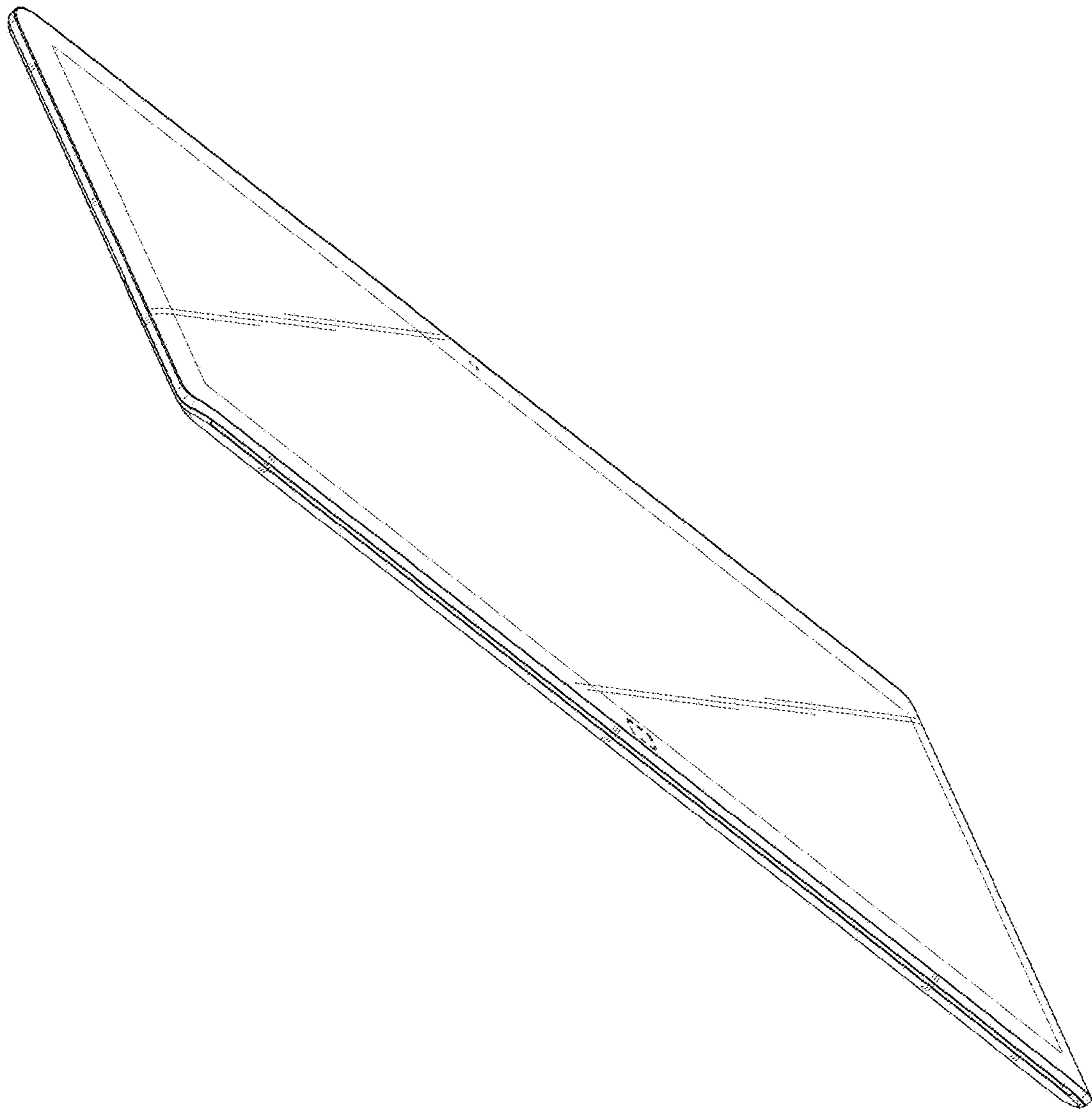


FIG. 10

