

US00D807874S

(12) **United States Design Patent**  
**Seoc et al.**

(10) **Patent No.:** **US D807,874 S**  
(45) **Date of Patent:** **\*\* Jan. 16, 2018**

(54) **PORTABLE COMPUTER**

(71) Applicant: **Samsung Electronics Co., Ltd.**,  
Suwon-si (KR)

(72) Inventors: **Hoyoung Seoc**, Seoul (KR); **Dongseok Lee**, Seoul (KR)

(73) Assignee: **SAMSUNG ELECTRONICS CO., LTD.**, Suwon-si (KR)

(\*\*) Term: **15 Years**

(21) Appl. No.: **29/582,793**

(22) Filed: **Oct. 31, 2016**

(30) **Foreign Application Priority Data**

Jun. 29, 2016 (KR) ..... 30-2016-0031710

(51) **LOC (11) Cl.** ..... **14-02**

(52) **U.S. Cl.**  
USPC ..... **D14/316**

(58) **Field of Classification Search**

USPC ..... D14/315-327; D18/1, 2, 7, 11;  
235/145 A, 145 R; 341/22, 23; 345/104,  
345/156, 168, 169, 173; 361/679.08,  
361/679.09, 679.11, 679.26, 679.27  
CPC ..... G06F 1/16; G06F 1/1616; G06F 1/1626;  
G06F 1/1632; G06F 1/1613; G06F  
1/1601; G06F 1/1618; G06F 1/162; G06F  
1/166; G06F 1/1654; G06F 1/1681; G06F  
1/1637; G06F 1/1688; G06F 1/1656;  
H01R 35/02; H03M 11/00; G09B 13/04;  
H03K 17/94; G09G 5/00; F16M 11/10;  
H05K 5/00; H04M 1/0237

See application file for complete search history.

(56) **References Cited**

U.S. PATENT DOCUMENTS

6,775,129 B1 \* 8/2004 Ghosh ..... G06F 1/162  
361/679.09  
D617,789 S \* 6/2010 Akana ..... D14/318

D649,543 S \* 11/2011 Tseng ..... D14/315  
D690,691 S \* 10/2013 Hoshi ..... D14/336  
D705,218 S \* 5/2014 Chae ..... D14/315  
D708,177 S \* 7/2014 Honda ..... D14/316  
D708,605 S \* 7/2014 Yang ..... D14/315  
D716,793 S \* 11/2014 Lee ..... D14/315  
D717,296 S \* 11/2014 Oh ..... D14/316  
D729,232 S \* 5/2015 Wu ..... D14/341  
D761,249 S \* 7/2016 Liang ..... D14/315  
2006/0146488 A1 \* 7/2006 Kimmel ..... G06F 1/1616  
361/679.04

\* cited by examiner

*Primary Examiner* — Freda S Nunn

(74) *Attorney, Agent, or Firm* — McAndrews Held & Malloy, Ltd.

(57) **CLAIM**

The ornamental design for a portable computer, as shown and described.

**DESCRIPTION**

FIG. 1 is a perspective view of a portable computer in a closed position showing our new design;  
FIG. 2 is a front view thereof;  
FIG. 3 is a rear view thereof;  
FIG. 4 is a left side view thereof;  
FIG. 5 is a right side view thereof;  
FIG. 6 is a top view thereof;  
FIG. 7 is a bottom view thereof;  
FIG. 8 is a perspective view thereof in a first open position; and,  
FIG. 9 is a perspective view thereof in a second open position.  
The broken lines in the drawings represent portions of the portable computer that form no part of the claimed design.

**1 Claim, 9 Drawing Sheets**

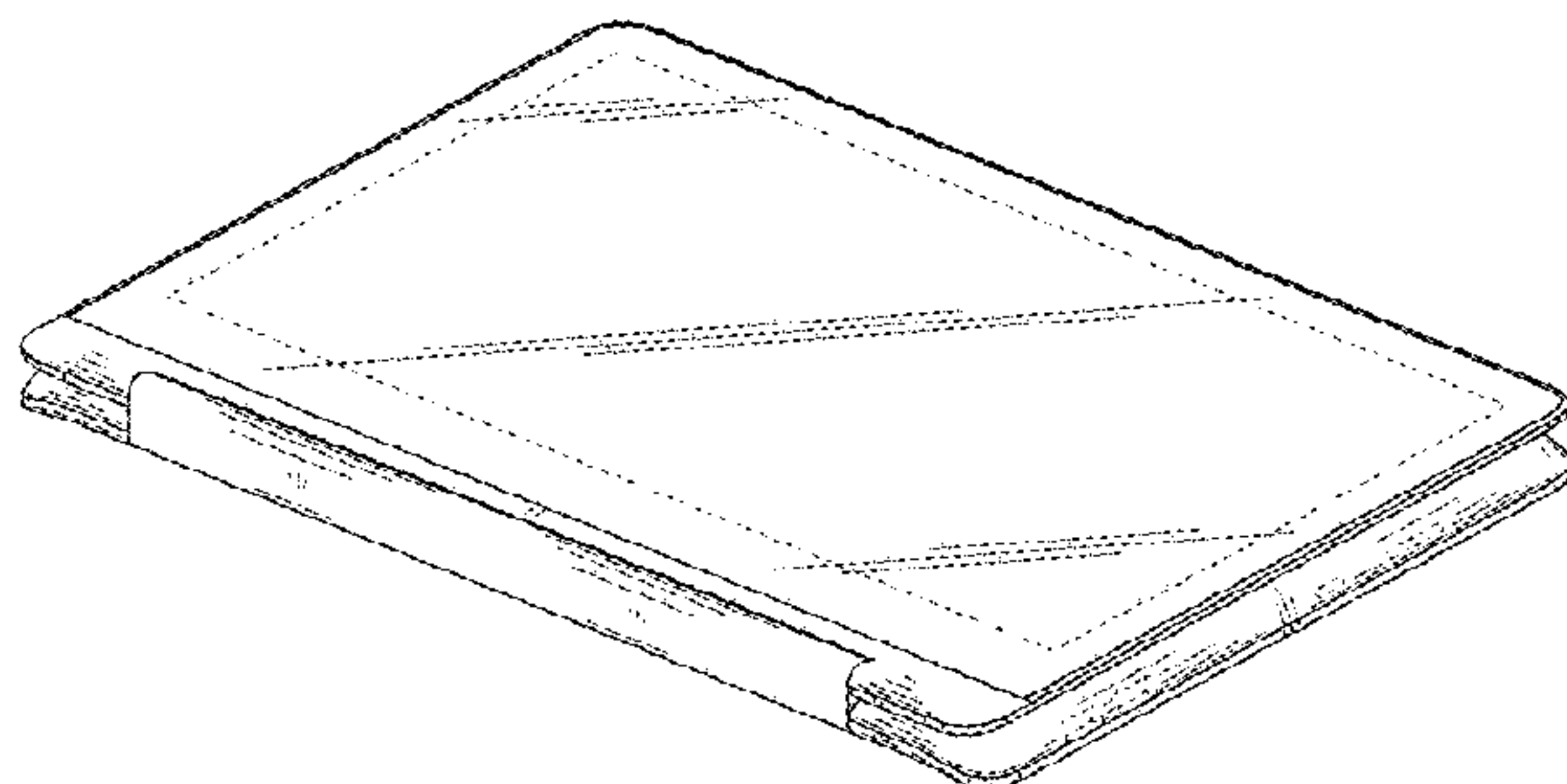
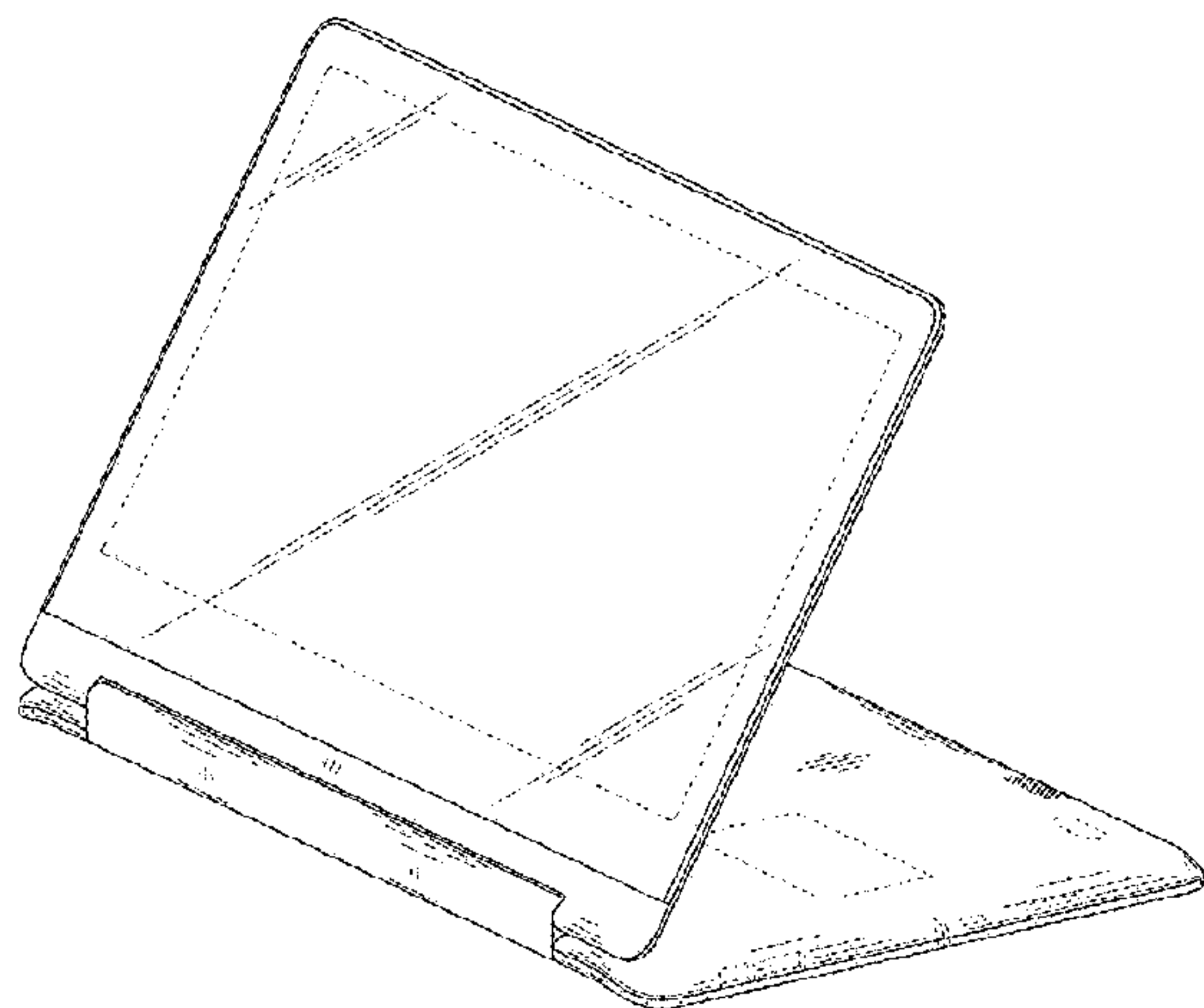


FIG. 1

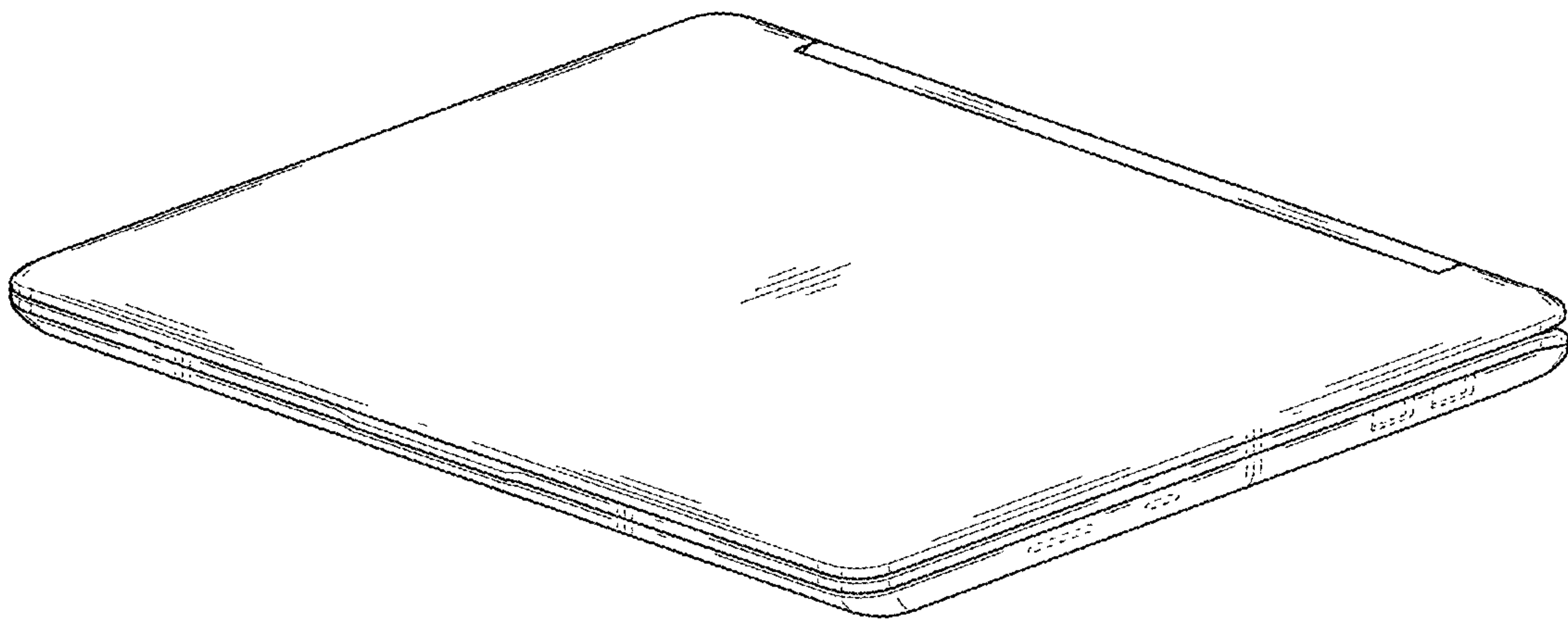


FIG. 2

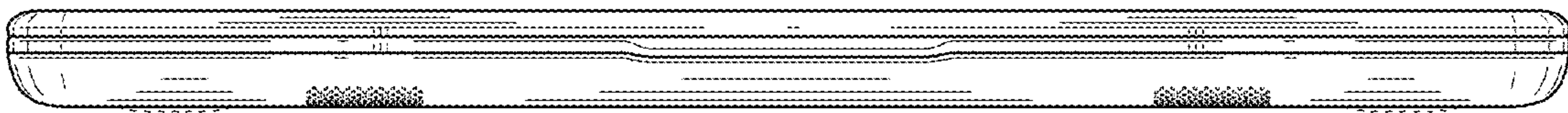


FIG. 3



FIG. 4

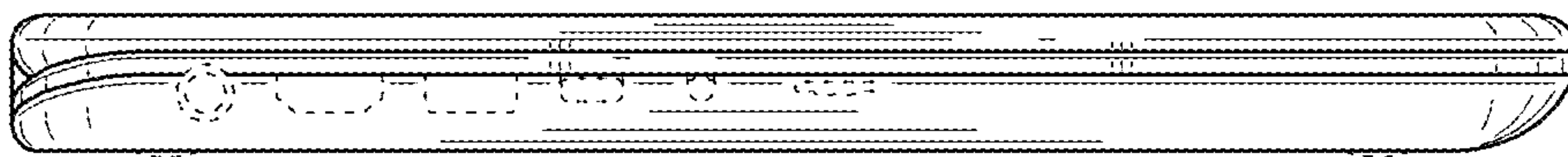


FIG. 5



FIG. 6

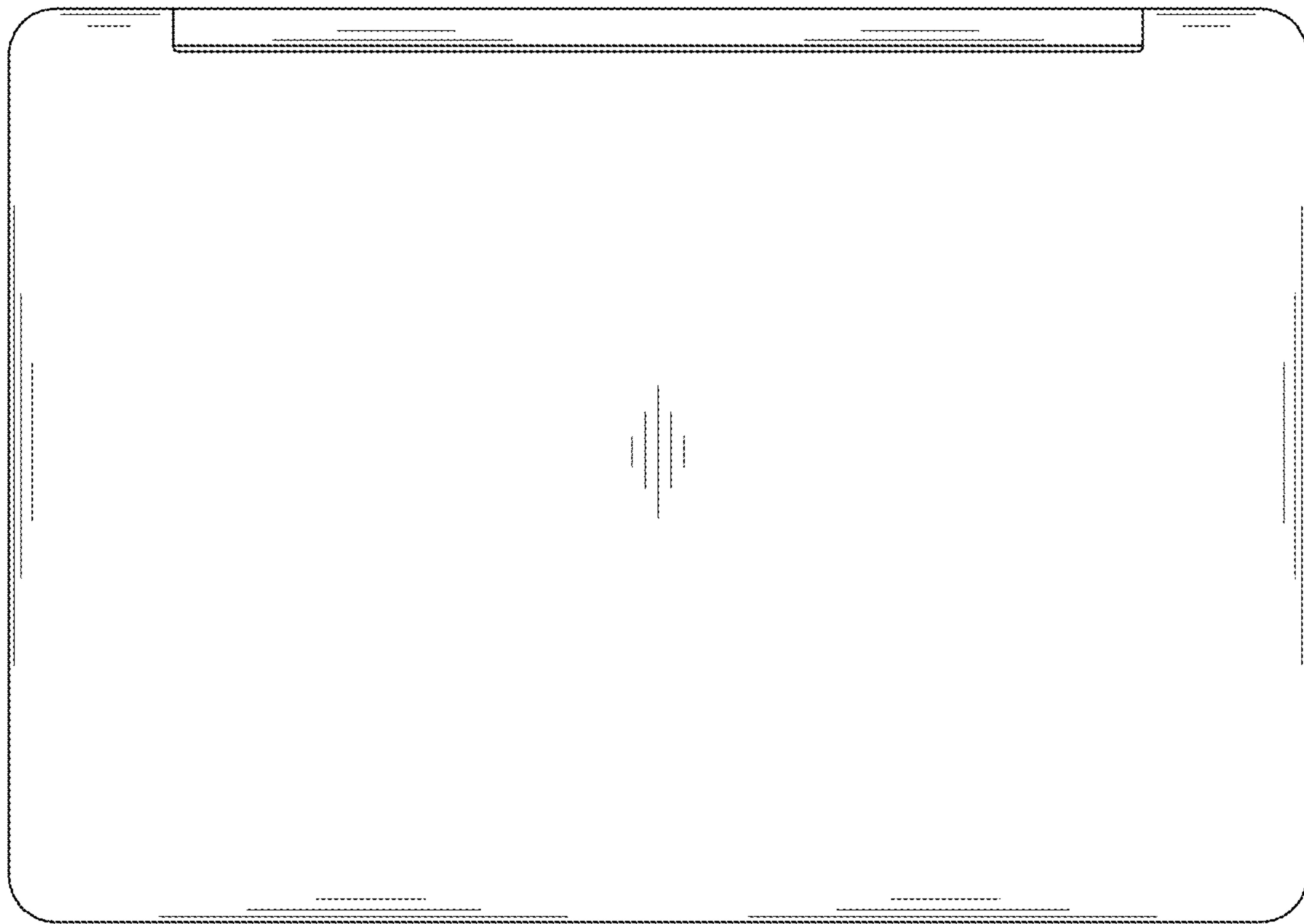


FIG. 7

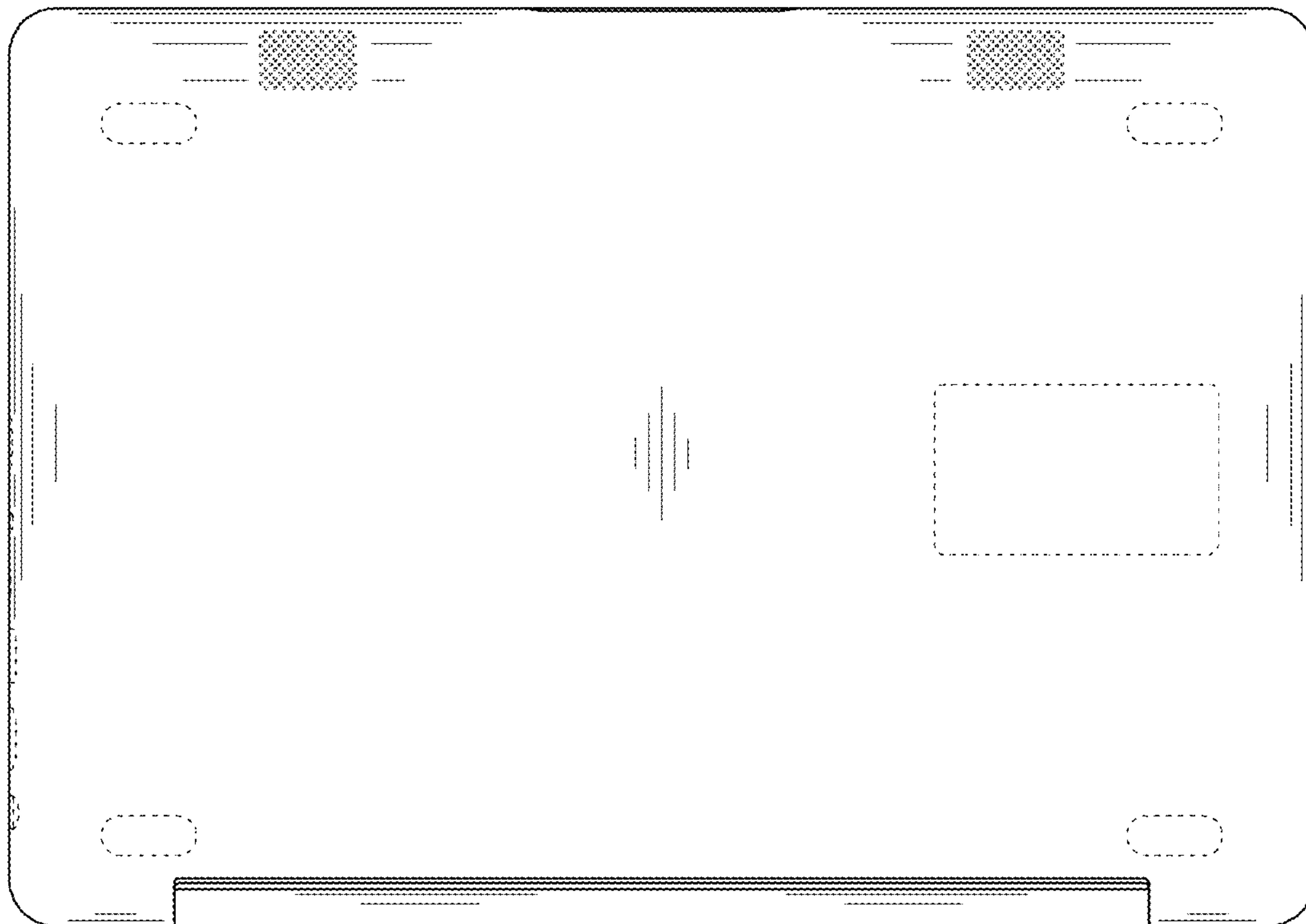




FIG. 8

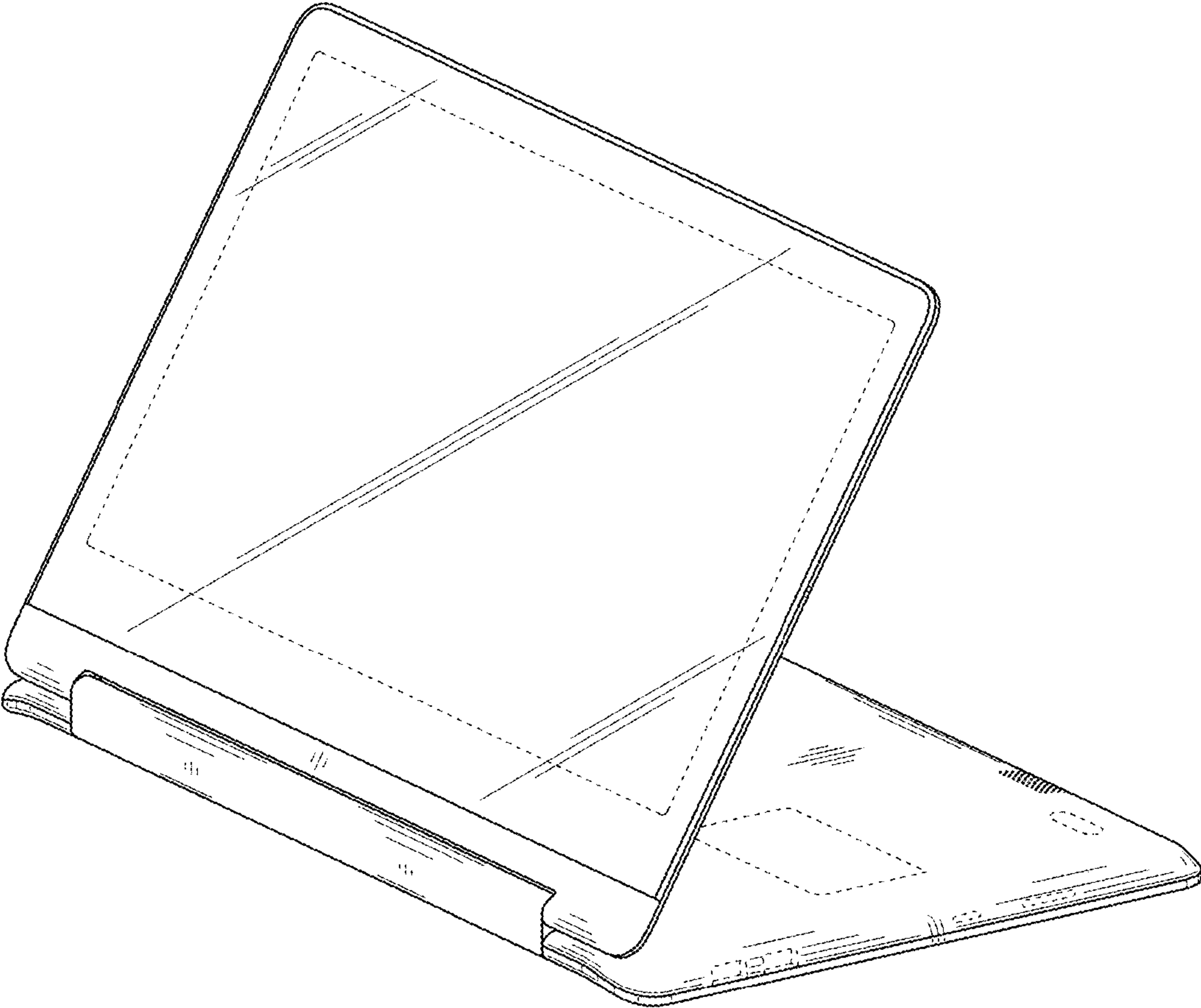


FIG. 9

