



US00D807873S

(12) **United States Design Patent**  
**Seoc et al.**

(10) **Patent No.:** **US D807,873 S**  
(45) **Date of Patent:** **\*\* Jan. 16, 2018**

(54) <b>DESKTOP COMPUTER</b>	7,931,505 B2 * 4/2011 Howard ..... B60R 11/02 296/24.34
(71) Applicant: <b>Samsung Electronics Co., Ltd.,</b> Suwon-si (KR)	D687,017 S * 7/2013 Ashcraft ..... D14/216 D694,746 S * 12/2013 Akana ..... D14/314 D716,289 S * 10/2014 Park ..... D14/314 D725,076 S * 3/2015 Wong ..... D14/216 D737,789 S * 9/2015 Leung ..... D14/125 D744,541 S * 12/2015 Langhammer ..... D14/203.1 D772,860 S * 11/2016 Magi ..... D14/300
(72) Inventors: <b>Ho-Young Seoc,</b> Seoul (KR); <b>Sang-Won Yoon,</b> Seoul (KR)	2005/0146882 A1 * 7/2005 Liao ..... F21V 1/06 362/352
(73) Assignee: <b>SAMSUNG ELECTRONICS CO.,</b> <b>LTD.,</b> Suwon-si (KR)	2009/0201413 A1 * 8/2009 Fishman ..... H04N 5/2252 348/373
(**) Term: <b>15 Years</b>	

(21) Appl. No.: **29/584,186**

(22) Filed: **Nov. 11, 2016**

(30) **Foreign Application Priority Data**

Sep. 21, 2016 (KR) ..... 30-2016-0045524

(51) **LOC (11) Cl.** ..... **14-02**

(52) **U.S. Cl.**  
USPC ..... **D14/314**

(58) **Field of Classification Search**

USPC ..... D14/300, 301, 308, 314, 348-356,  
D14/364-368, 216, 496; D13/123, 158,  
D13/162, 184, 199; 312/223.1-223.3,  
312/351.11; 360/99.01-99.12;  
369/34.01-36.01; 361/679.31-679.33,  
361/679.37, 679.39, 679.46, 679.53,  
361/679.4, 679.41, 727; D9/773  
CPC . G06F 1/20; G06F 1/181; G06F 1/187; G06F  
1/183; G06F 1/184; H05K 7/16; H05K  
7/1424; H05K 7/1409; H05K 7/20; H05K  
7/20545; H05K 7/20727; H05H 7/20;  
G11B 33/126; G11B 33/128

See application file for complete search history.

(56) **References Cited**

**U.S. PATENT DOCUMENTS**

D364,165 S \* 11/1995 Esslinger ..... D14/213  
D509,825 S \* 9/2005 Chen ..... D14/300

\* cited by examiner

*Primary Examiner* — Freda S Nunn

(74) *Attorney, Agent, or Firm* — McAndrews Held & Malloy, Ltd.

(57) **CLAIM**

The ornamental design for a desktop computer, as shown and described.

**DESCRIPTION**

FIG. 1 is a front perspective view of a desktop computer showing our new design;  
FIG. 2 is a front elevation view thereof;  
FIG. 3 is a rear elevation view thereof;  
FIG. 4 is a left-side elevation view thereof;  
FIG. 5 is a right-side elevation view thereof;  
FIG. 6 is a top plan view thereof;  
FIG. 7 is a bottom plan view thereof;  
FIG. 8 is a rear perspective view thereof; and,  
FIG. 9 is a cross-sectional view taken through line 9-9 of FIG. 2.

The dashed broken lines in the drawings represent portions of the desktop computer that form no part of the claimed design.

**1 Claim, 8 Drawing Sheets**

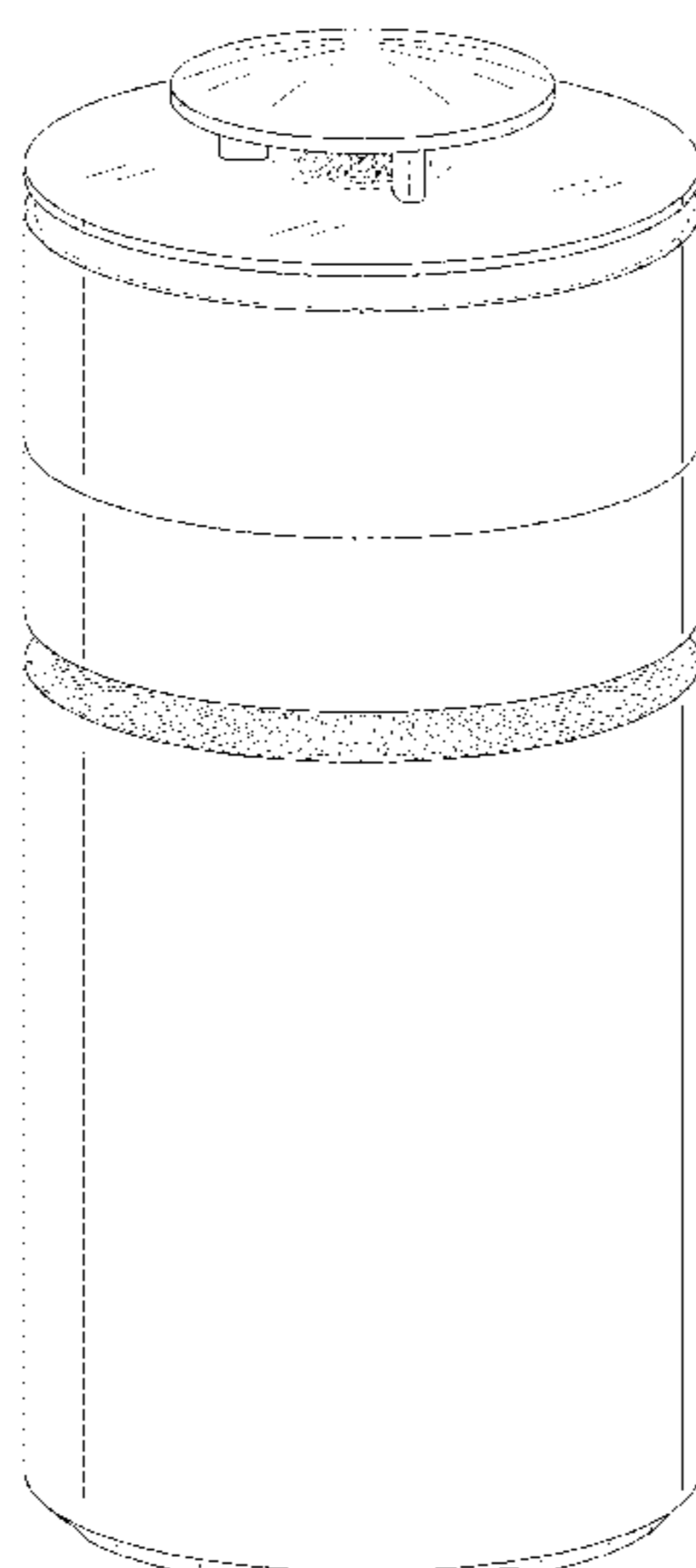


FIG. 1

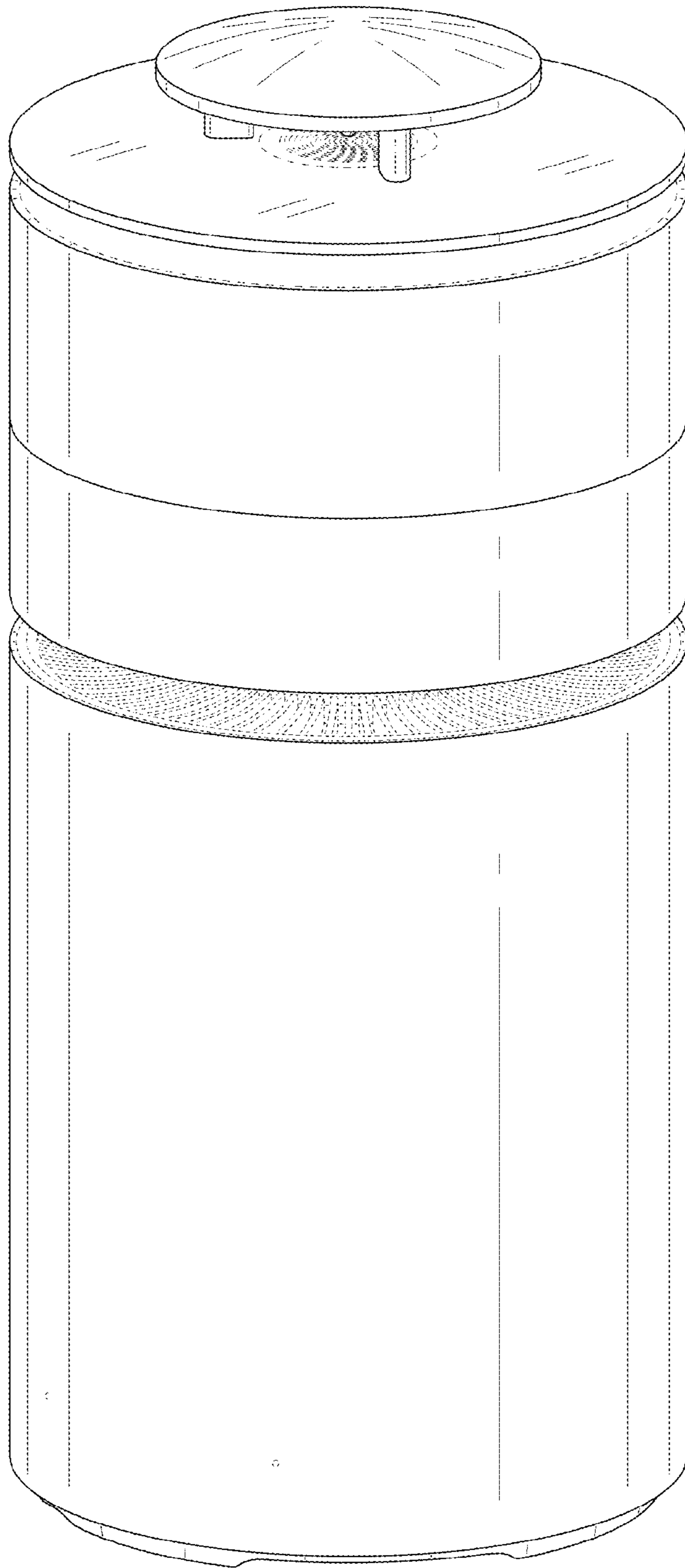


FIG. 2

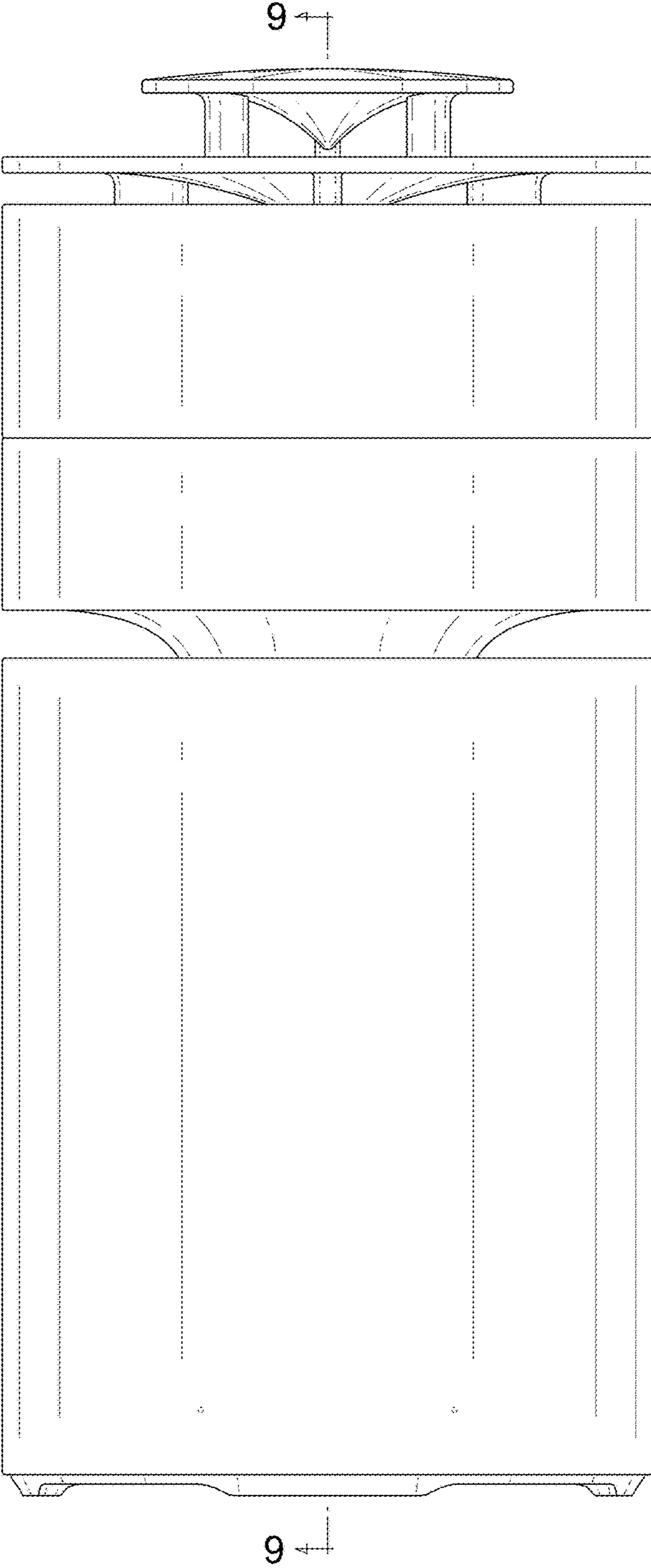


FIG. 3

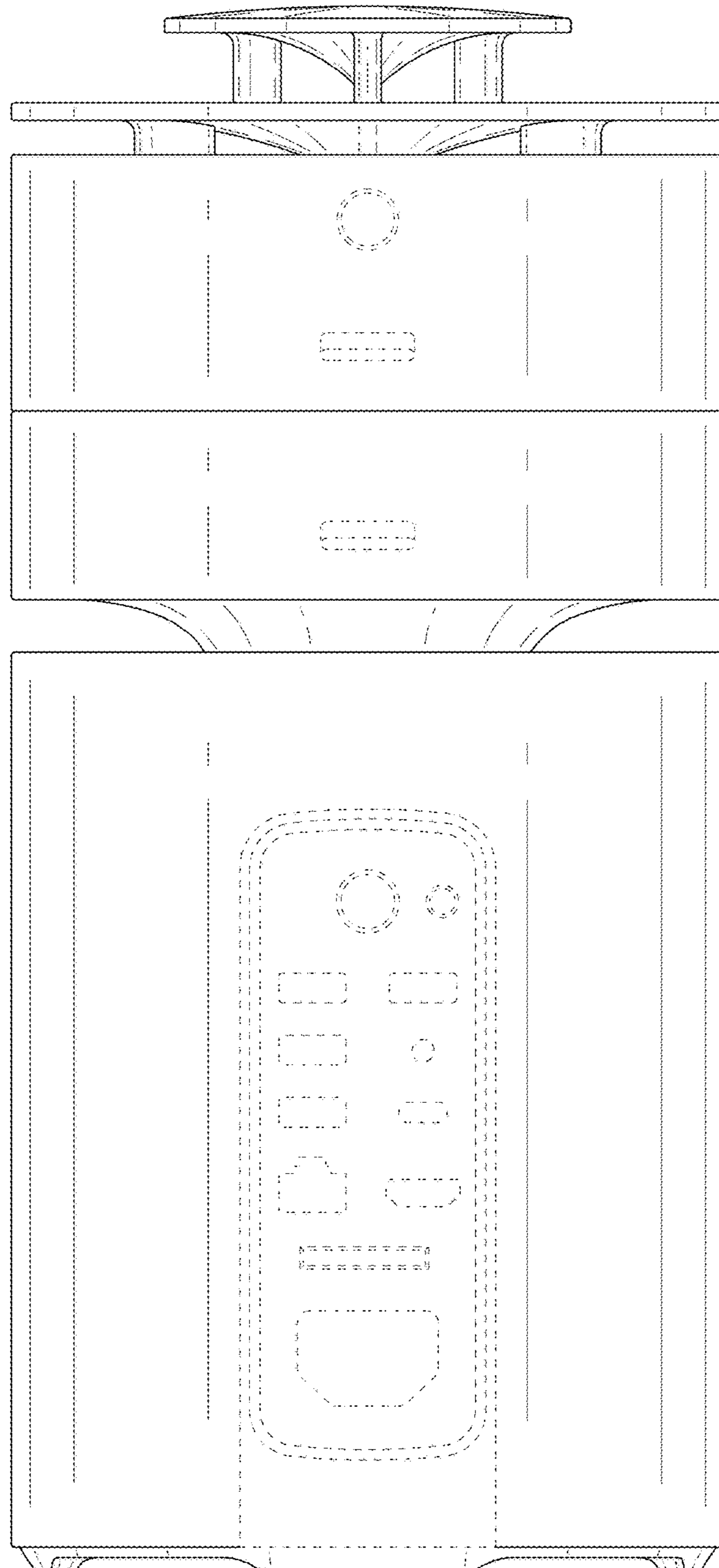


FIG. 4

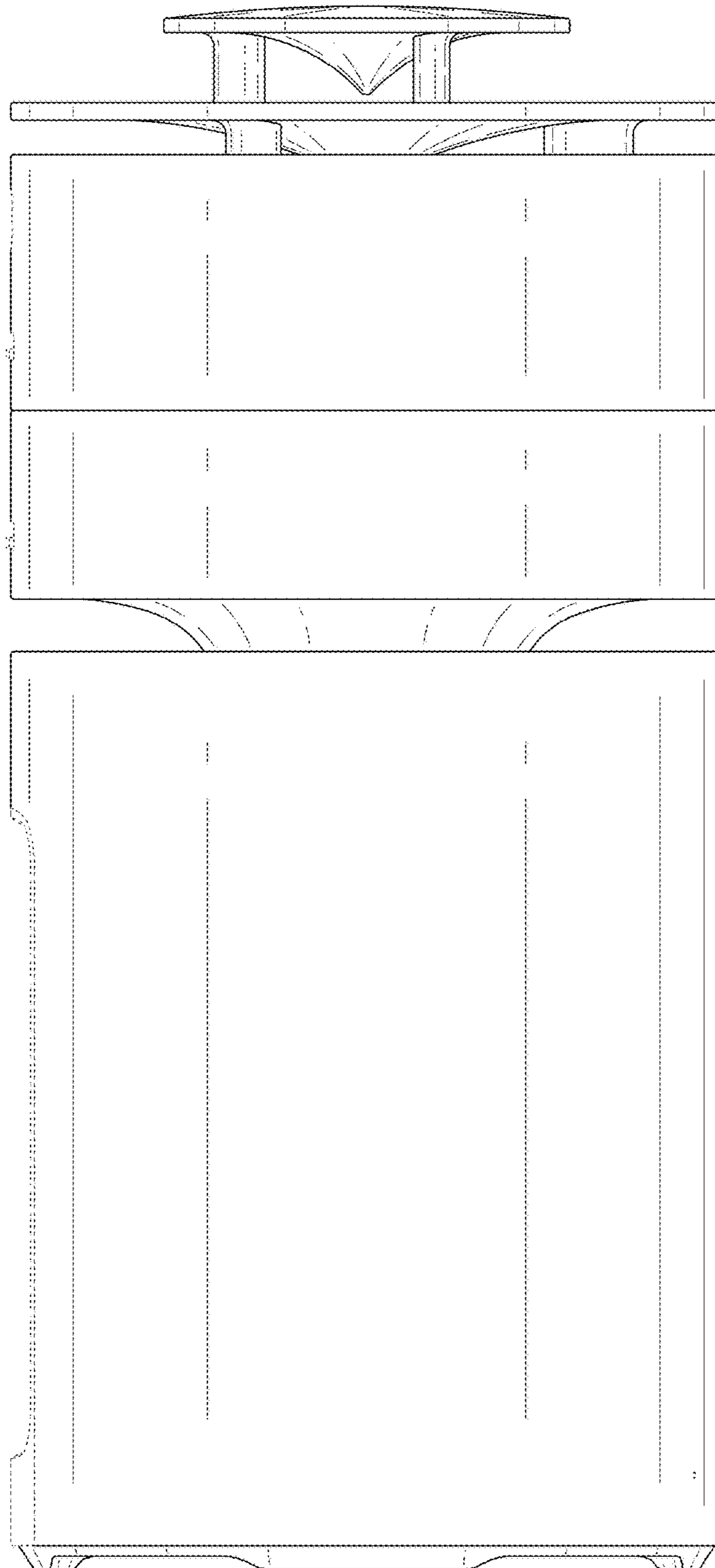


FIG. 5

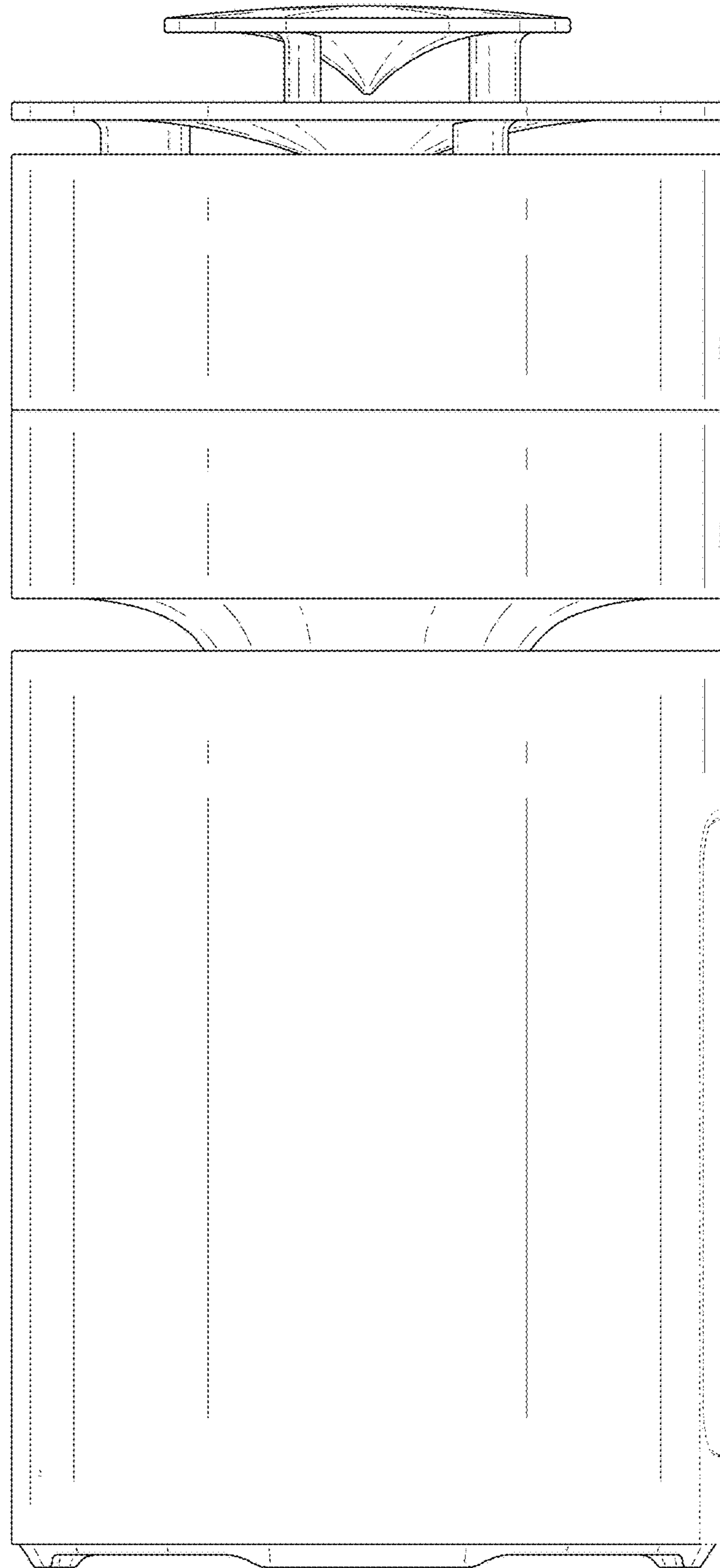


FIG. 6

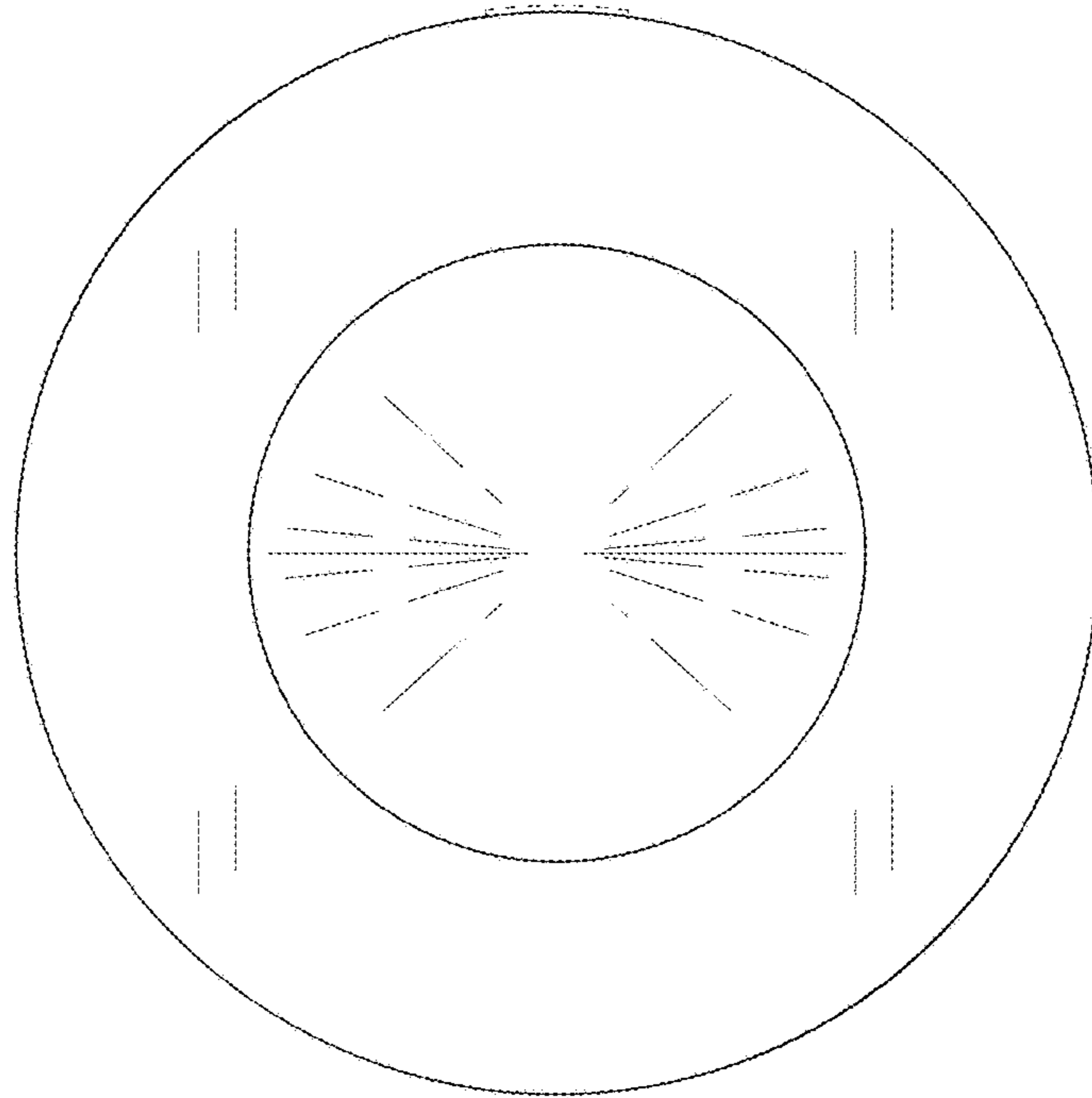


FIG. 7

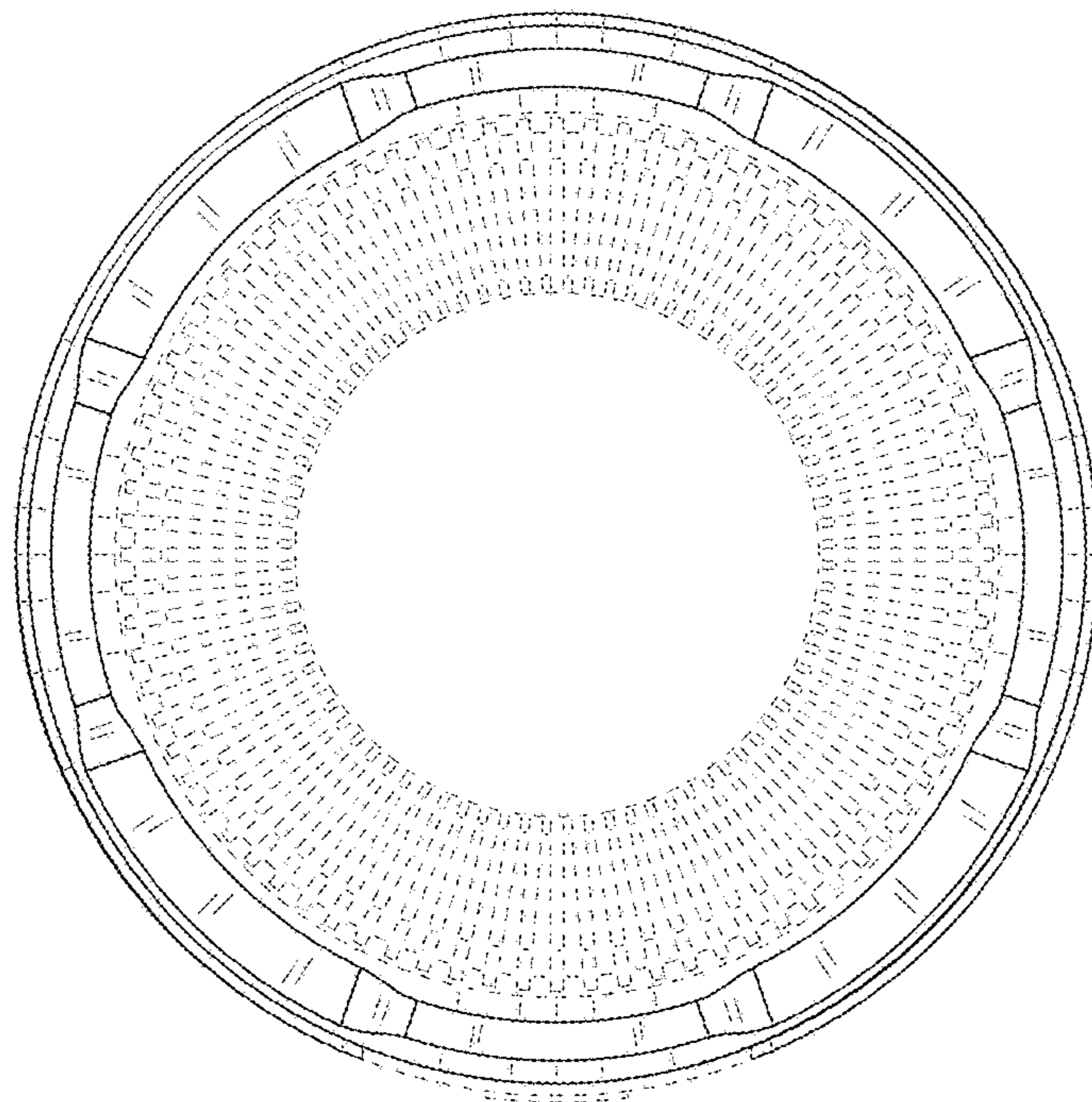


FIG. 8

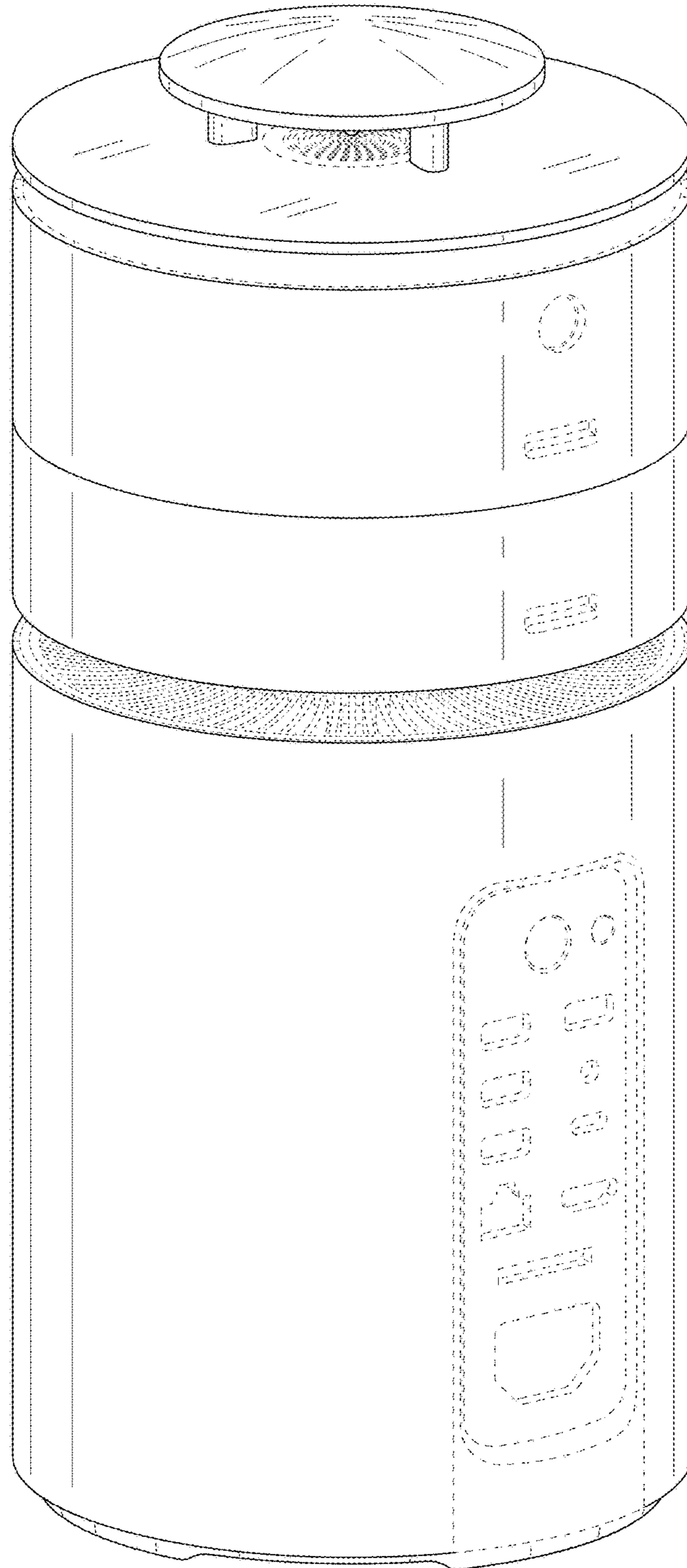




FIG. 9

