



US00D807870S

(12) **United States Design Patent**
Lee et al.

(10) **Patent No.:** **US D807,870 S**
(45) **Date of Patent:** **** Jan. 16, 2018**

(54) **COVER FOR AN ELECTRONIC DEVICE**

D788,093 S * 5/2017 Lee D14/250
D791,757 S * 7/2017 Kim D14/250
D794,007 S * 8/2017 Zhang D14/250

(71) Applicant: **SAMSUNG ELECTRONICS CO., LTD.**, Suwon-si (KR)

(72) Inventors: **Wooseok Lee**, Seoul (KR); **Junyong Song**, Seongnam-si (KR)

(73) Assignee: **Samsung Electronics Co., Ltd.**, Suwon-si (KR)

(**) Term: **15 Years**

(21) Appl. No.: **29/568,892**

(22) Filed: **Jun. 22, 2016**

(30) **Foreign Application Priority Data**

Dec. 24, 2015 (KR) 30-2015-0066082

(51) **LOC (11) Cl.** **14-03**

(52) **U.S. Cl.**
USPC **D14/250**

(58) **Field of Classification Search**
USPC D14/250; 455/575.8
CPC A45C 11/00; A45C 2011/002
See application file for complete search history.

(56) **References Cited**

U.S. PATENT DOCUMENTS

D721,072 S * 1/2015 Laffon de Mazieres D14/250
D765,626 S * 9/2016 Tattari D14/250
D777,157 S * 1/2017 Kim D14/250
D777,160 S * 1/2017 Kim D14/250
D777,161 S * 1/2017 Lee D14/250
D778,272 S * 2/2017 Kim D14/250
D785,615 S * 5/2017 Kim D14/250
D787,493 S * 5/2017 Kim D14/250
D787,494 S * 5/2017 Kim D14/250
D787,495 S * 5/2017 Kim D14/250
D787,496 S * 5/2017 Kim D14/250
D788,091 S * 5/2017 Kim D14/250

OTHER PUBLICATIONS

Camera Lens Case for Samsung Galaxy S7, posted at phonearena.com, posting date Feb. 23, 2016, [online], [site visited Aug. 16, 2017]. Available from Internet, URL: https://www.phonearena.com/news/CameraLencasesforSamsungGalaxyS7S7edgehandson_id78717.*

(Continued)

Primary Examiner — George D. Kirschbaum

Assistant Examiner — Maria J Edwards

(74) *Attorney, Agent, or Firm* — NSIP Law

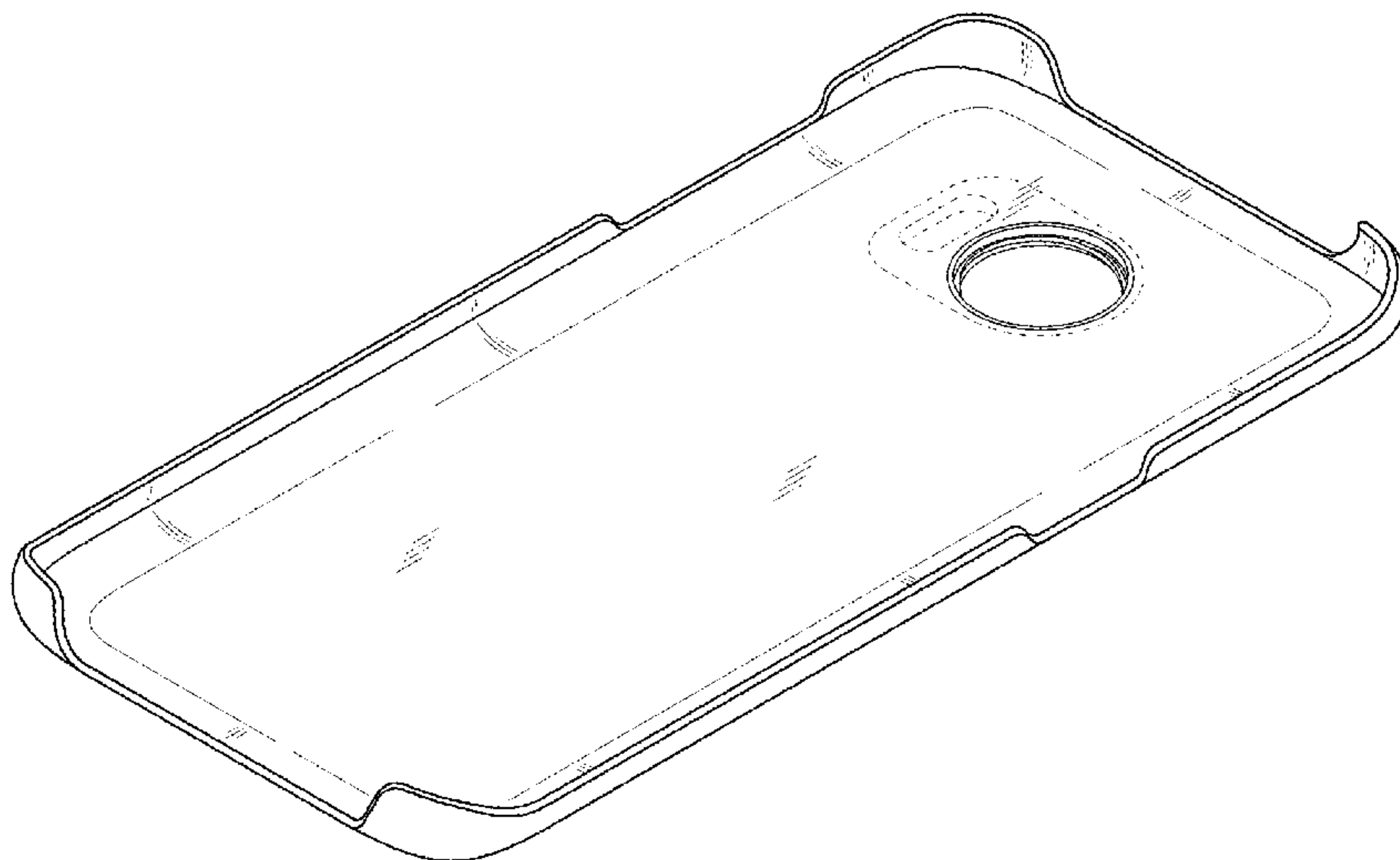
(57) **CLAIM**

We claim the ornamental design for a cover for an electronic device, as shown and described.

DESCRIPTION

FIG. 1 is a front perspective view of a cover for an electronic device showing our new design;
FIG. 2 is a front view thereof;
FIG. 3 is a rear view thereof;
FIG. 4 is a left-side view thereof;
FIG. 5 is a right-side view thereof;
FIG. 6 is a top view thereof;
FIG. 7 is a bottom view thereof;
FIG. 8 is a rear perspective view thereof;
FIG. 9 is a right-side view of the cover for an electronic device in which a camera lens is provided in broken lines to illustrate an example environment; and,
FIG. 10 is a rear perspective view of the cover for an electronic device in which a camera lens is provided in broken lines to illustrate an example environment.
The broken lines in the figures depict environmental subject matter and form no part of the claimed design.

1 Claim, 8 Drawing Sheets



(56)

References Cited

OTHER PUBLICATIONS

Samsung Galaxy S4 Long Range Telescope Photo Lens Case, posted at mobilefun.com, posting date Aug. 2, 2014, [online], [site visited Aug. 16, 2017]. Available from Internet, URL: <http://www.mobilefun.com/>

39305samsunggalaxys4longrangetelescopephotolenscase.htm.*

Samsung Galaxy S7 Case, posted at androidcentral.com, posting date Feb. 21, 2016, [online], [site visited Aug. 16, 2017]. Available from Internet, URL: <https://www.androidcentral.com/these-galaxy-s7-cases-offer-swappable-camera-lenses>.*

Samsung Lens Cover for Galaxy S7, posted at bhphotovideo.com, posting date not given, [online], [site visited Aug. 16, 2017]. Available from Internet, URL: https://www.bhphotovideo.com/c/product/1257566REG/samsung_et_cg930dbegus_lens_cover_for_galaxy.html.*

* cited by examiner

FIG. 1

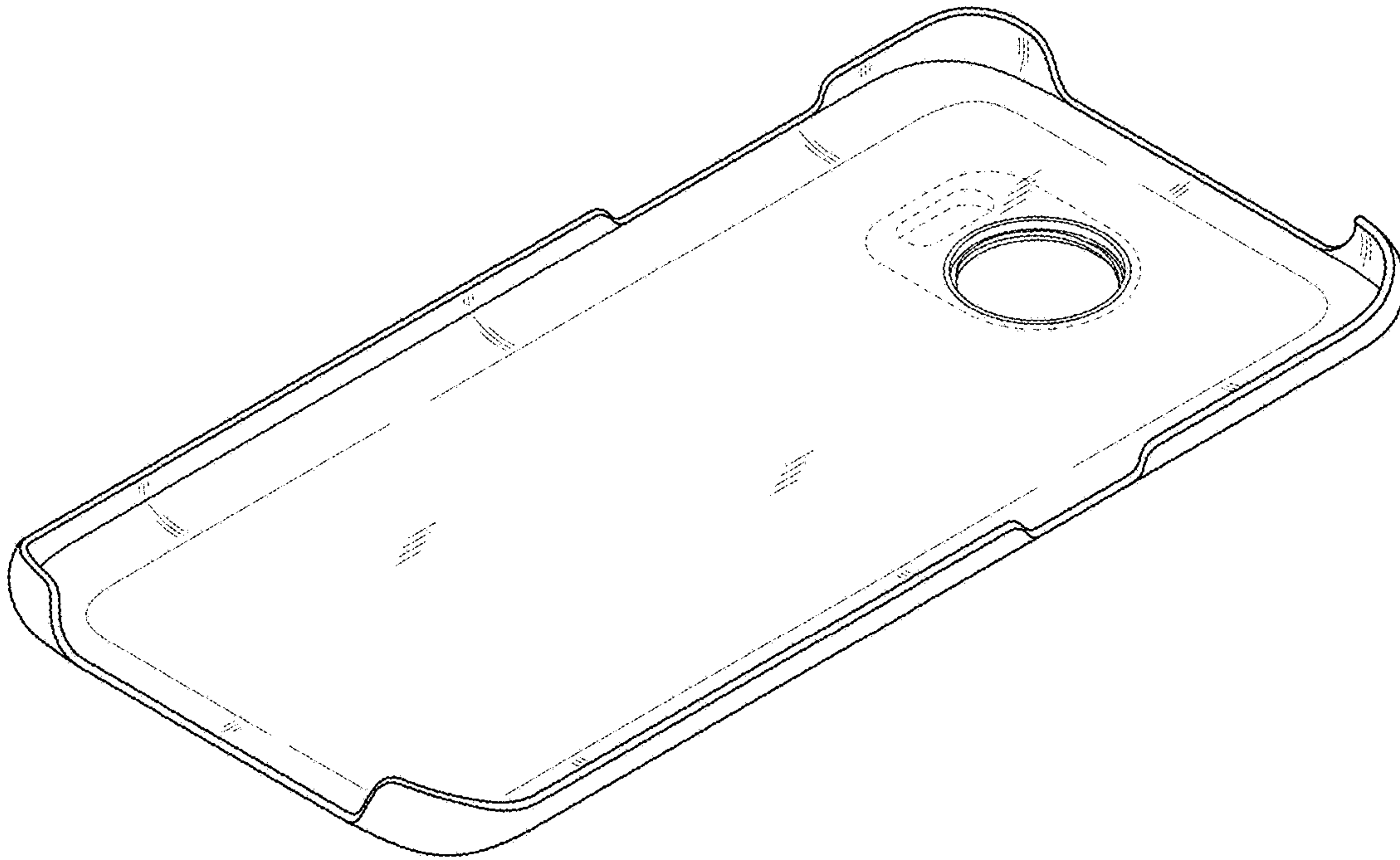


FIG.2

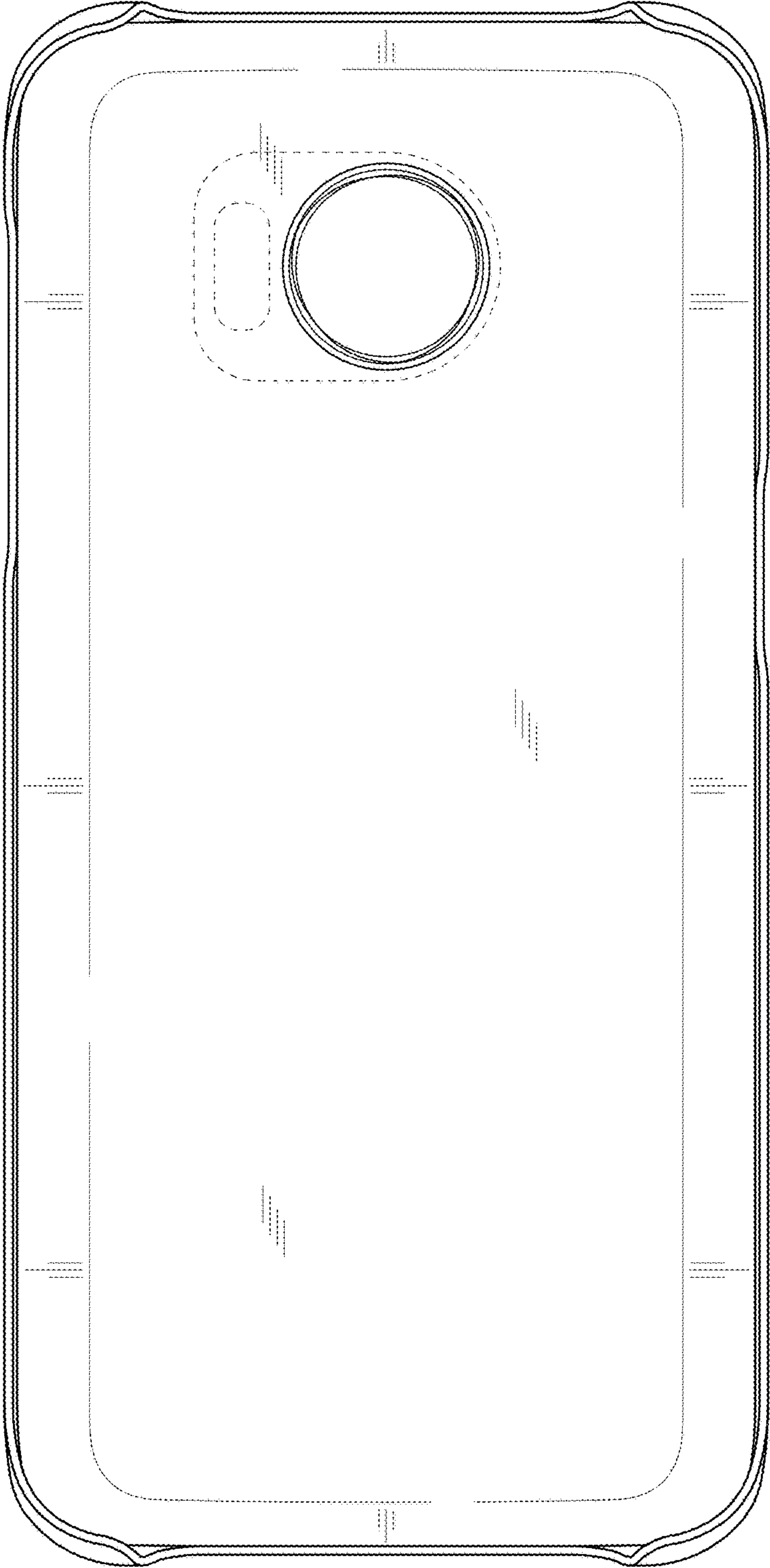


FIG.3

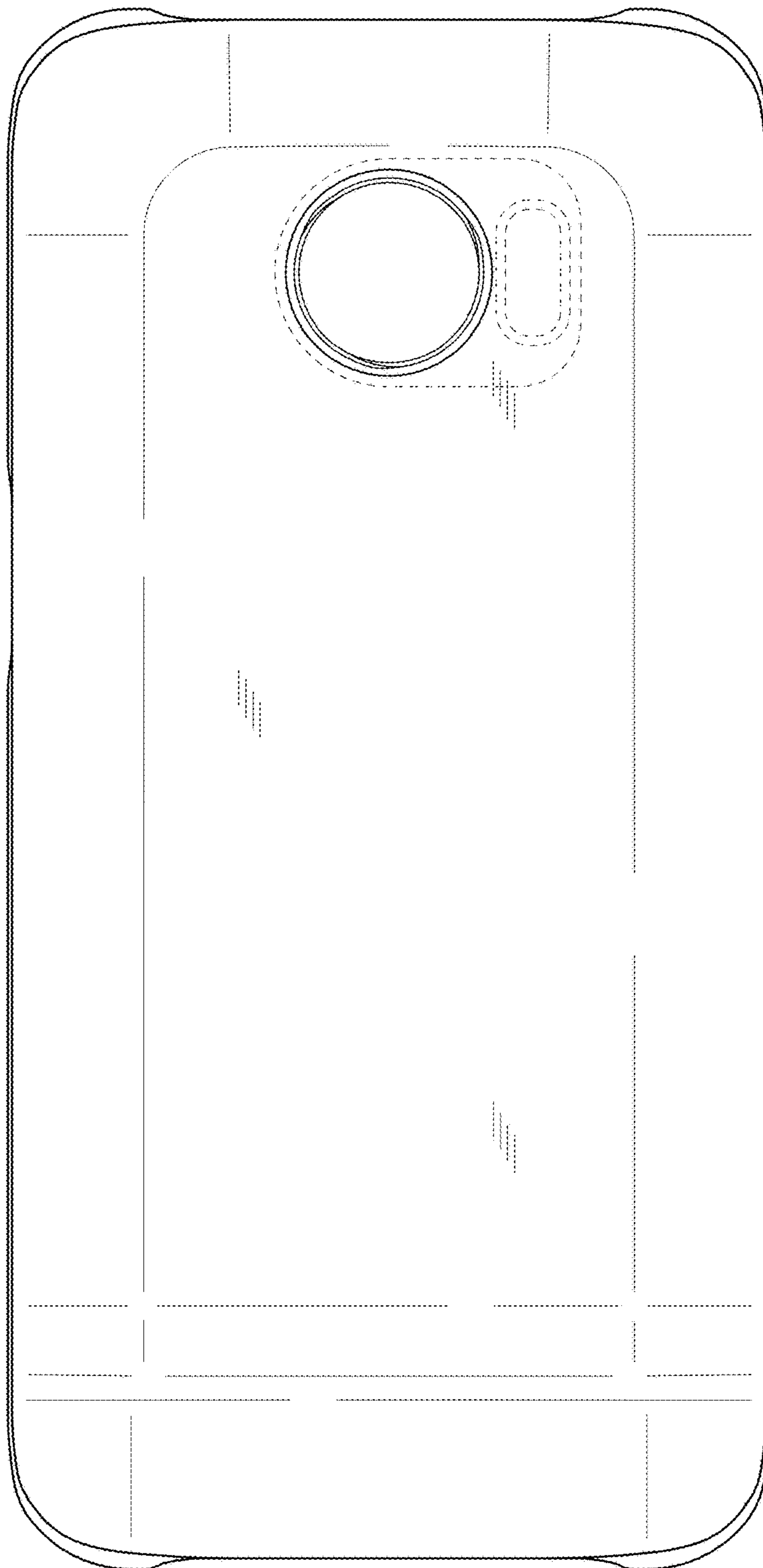


FIG.4

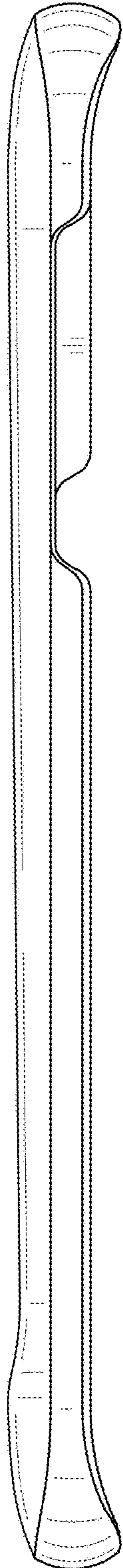


FIG.5

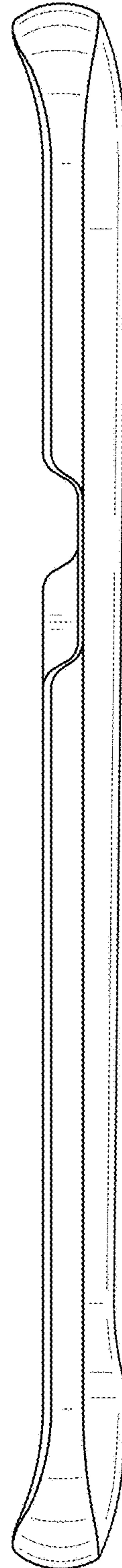


FIG.6

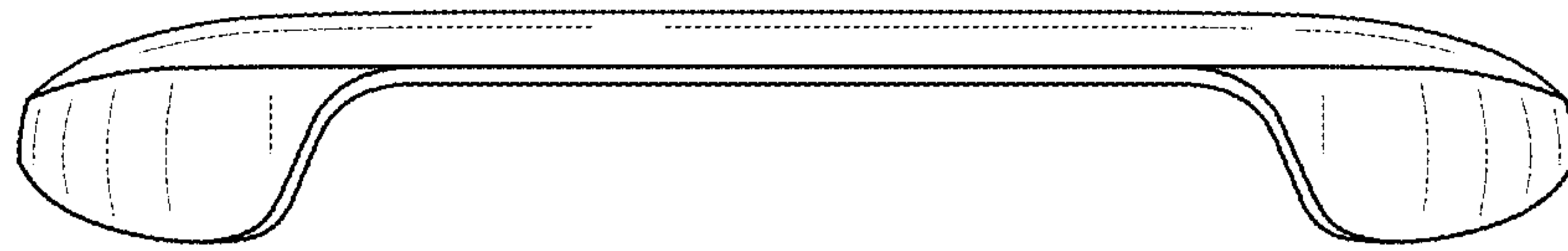


FIG.7

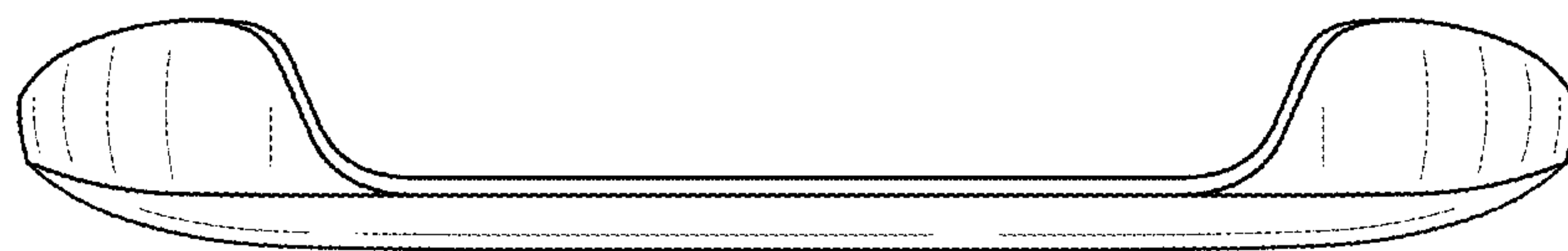


FIG.8

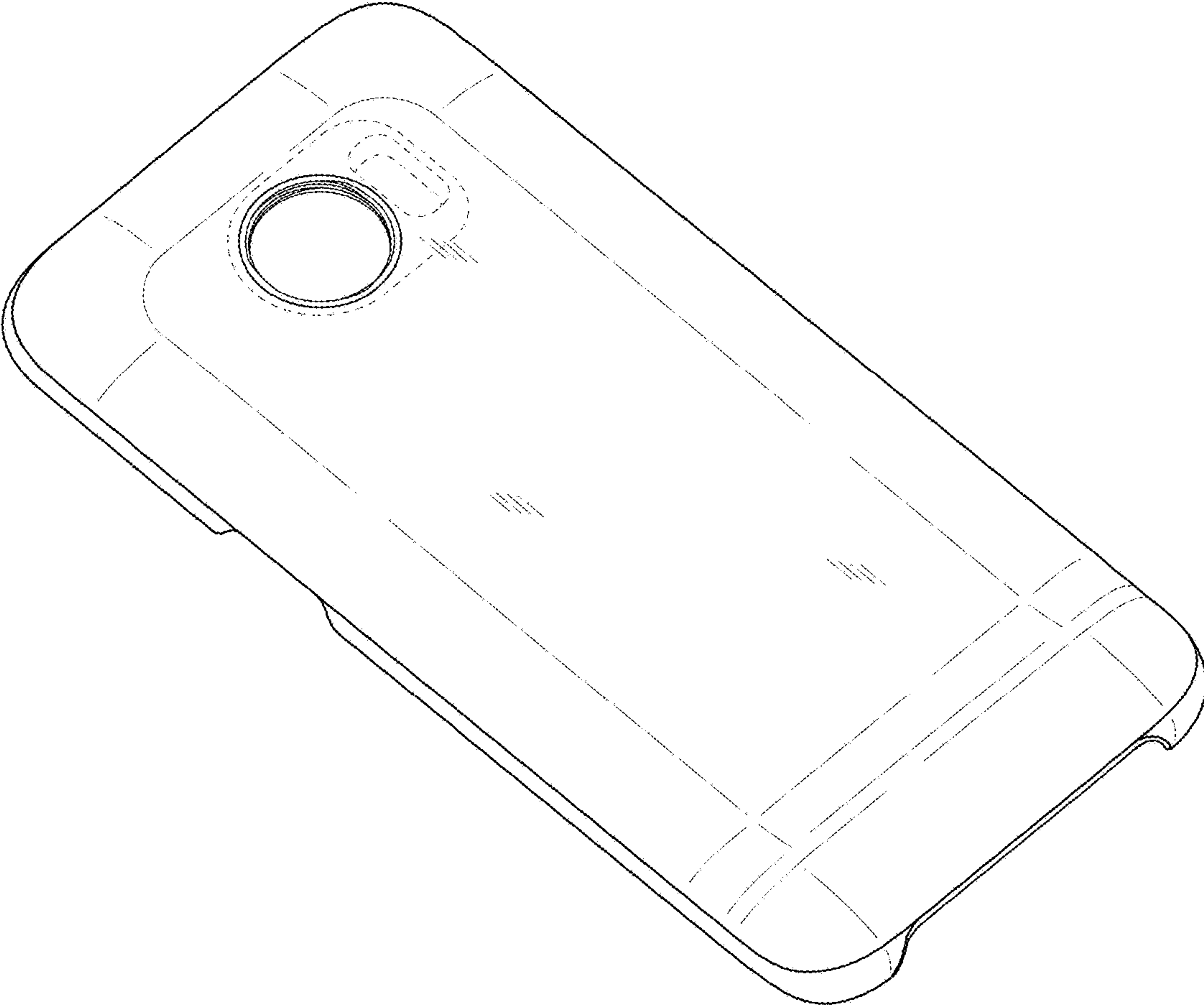


FIG.9

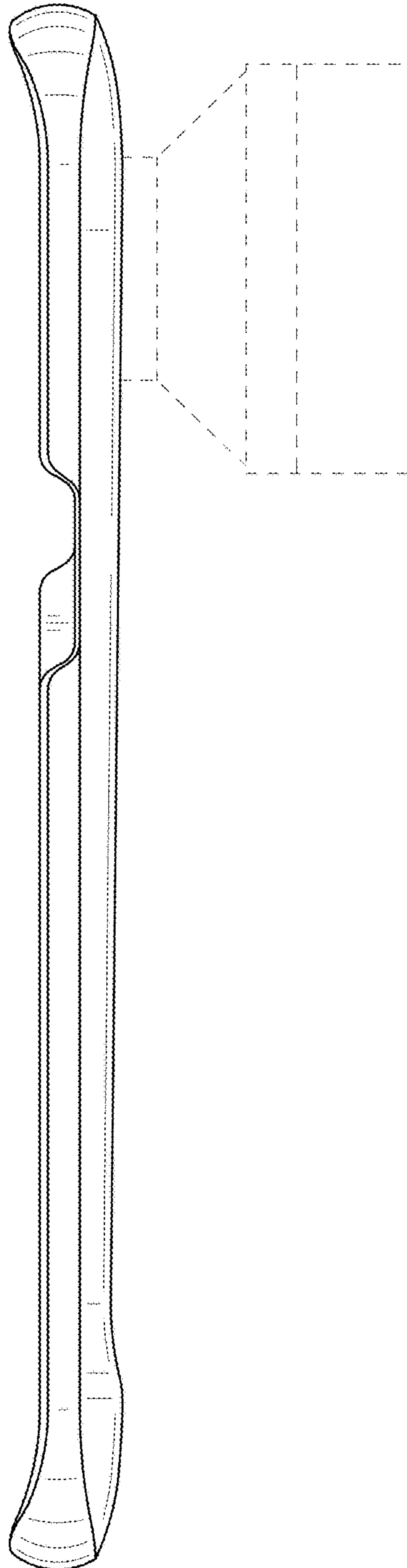


FIG.10

