



US00D807867S

(12) **United States Design Patent**  
**Kato et al.**

(10) **Patent No.:** **US D807,867 S**  
(45) **Date of Patent:** **\*\* Jan. 16, 2018**

(54) **INFRARED COMMUNICATION APPARATUS**

(71) Applicant: **SMK Corporation**, Tokyo (JP)

(72) Inventors: **Tatsuo Kato**, Kanagawa (JP); **Katsuya Kawasaki**, Kanagawa (JP)

(\*\*) Term: **15 Years**

(21) Appl. No.: **29/561,455**

(22) Filed: **Apr. 15, 2016**

(30) **Foreign Application Priority Data**

Oct. 23, 2015 (JP) ..... 2015-23565

(51) **LOC (11) Cl.** ..... **14-03**

(52) **U.S. Cl.**  
USPC ..... **D14/240**; D14/358

(58) **Field of Classification Search**  
USPC ..... D14/356, 357, 358, 361, 362, 365, 367,  
D14/370, 432, 434, 240, 242, 299, 155,  
D14/168, 188, 300, 314, 348; D13/123,  
D13/162, 162.1, 163, 184, 199, 168  
CPC ..... G06F 1/181; G06F 1/184; G06F 1/186;  
G06F 1/187; G06F 2200/1638; H04W  
88/00; H04W 88/005; H04W 88/10;  
H04W 88/12; H04W 88/14; H04W 88/16  
See application file for complete search history.

(56) **References Cited**

U.S. PATENT DOCUMENTS

D325,582 S *	4/1992	Emmons	.....	D14/218
D327,690 S *	7/1992	Ogawa	.....	D14/230
D336,089 S *	6/1993	Crawshaw	.....	D14/218
D346,151 S *	4/1994	Zaugg	.....	D13/158
D346,598 S *	5/1994	McCay	.....	D14/137
D355,416 S *	2/1995	McCay	.....	D14/137
D358,380 S *	5/1995	Sakaguchi	.....	D14/357
D367,274 S *	2/1996	Gobindram	.....	D14/143
D382,255 S *	8/1997	Moffatt	.....	D13/147
D391,926 S *	3/1998	Brunner	.....	D14/125

D391,943 S *	3/1998	Han	.....	D14/356
D391,944 S *	3/1998	Han	.....	D14/356
D396,852 S *	8/1998	Chao	.....	D14/358
D412,456 S *	8/1999	Uehara	.....	D10/47
D414,476 S *	9/1999	Hibino	.....	D13/101
D453,329 S *	2/2002	Muramatsu	.....	D14/230

(Continued)

OTHER PUBLICATIONS

SMK Releases New Bluetooth Smart-enabled IR blaster. smk.co.  
[online] 1 pg. Posted Oct. 26, 2015 [retrieved on Jun. 5, 2017]  
[http://www.smk.co.jp/news/press\\_release/2015/1048fc/?](http://www.smk.co.jp/news/press_release/2015/1048fc/?version=en.*)  
version=en.\*

(Continued)

*Primary Examiner* — Susan Bennett Hattan  
*Assistant Examiner* — Marie D. Fast Horse  
(74) *Attorney, Agent, or Firm* — Widerman Malek, PL;  
Mark Malek

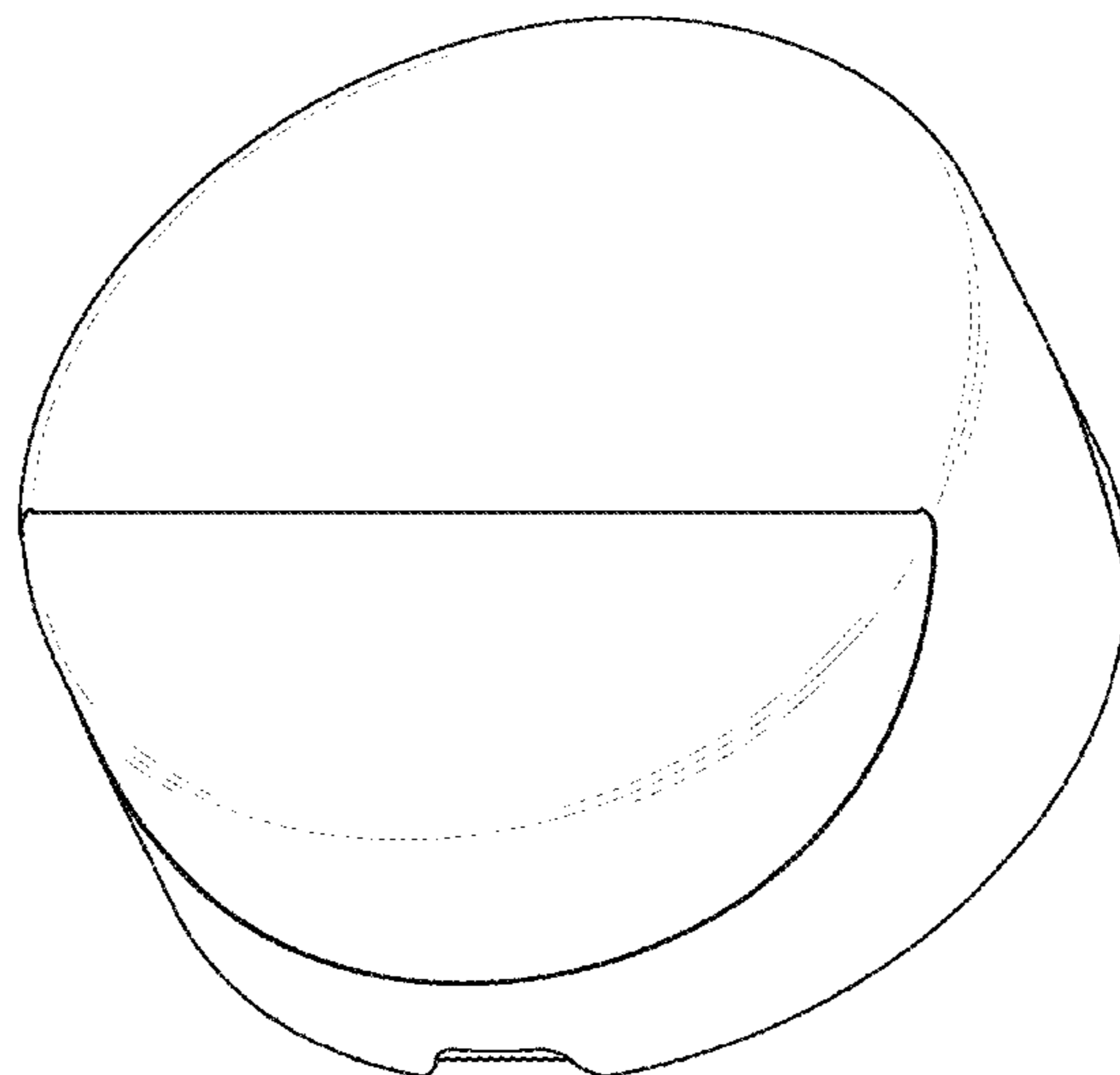
(57) **CLAIM**

The ornamental design for an infrared communication apparatus, as shown and described.

**DESCRIPTION**

FIG. 1 is a front perspective view of an infrared communication apparatus according to the present invention.  
FIG. 2 is a rear perspective view of the infrared communication apparatus illustrated in FIG. 1.  
FIG. 3 is a front elevation view of the infrared communication apparatus illustrated in FIG. 1.  
FIG. 4 is a rear elevation view of the infrared communication apparatus illustrated in FIG. 1.  
FIG. 5 is a top plan view of the infrared communication apparatus illustrated in FIG. 1.  
FIG. 6 is a bottom plan view of the infrared communication apparatus illustrated in FIG. 1; and,  
FIG. 7 is a right side elevation view of the infrared communication apparatus illustrated in FIG. 1.

**1 Claim, 7 Drawing Sheets**



(56)

References Cited

U.S. PATENT DOCUMENTS

D456,351 S \* 4/2002 Yoneda ..... D13/108  
 D456,807 S \* 5/2002 Floyd ..... D14/356  
 D464,347 S \* 10/2002 Floyd ..... D14/356  
 D494,633 S \* 8/2004 Nussberger ..... D21/324  
 D496,038 S \* 9/2004 Floyd ..... D14/356  
 D516,043 S \* 2/2006 Jacoby ..... D13/165  
 D519,454 S \* 4/2006 Christianson ..... D13/133  
 D519,918 S \* 5/2006 Wilson ..... D13/103  
 D526,973 S \* 8/2006 Gates ..... D13/168  
 D528,100 S \* 9/2006 Suzuki ..... D14/509  
 D537,072 S \* 2/2007 Kim ..... D14/215  
 D542,786 S \* 5/2007 Karlsson ..... D14/302  
 D562,918 S \* 2/2008 Tuller ..... D21/662  
 D577,356 S \* 9/2008 Moon ..... D14/168  
 D578,128 S \* 10/2008 Lee ..... D14/433  
 D581,414 S \* 11/2008 Tellier ..... D14/358  
 D581,927 S \* 12/2008 Sumii ..... D14/356  
 D590,391 S \* 4/2009 Sumii ..... D14/356  
 D597,514 S \* 8/2009 Gencarella ..... D14/138 AC  
 D602,388 S \* 10/2009 Killo ..... D10/106.1  
 7,646,306 B2 \* 1/2010 De Macedo ..... B60C 23/0493  
 340/10.1  
 D617,667 S \* 6/2010 Penix ..... D10/106.9  
 D620,884 S \* 8/2010 Lee ..... D13/108  
 D626,963 S \* 11/2010 Kim ..... D14/420  
 D634,714 S \* 3/2011 Kim ..... D13/162  
 D640,976 S \* 7/2011 Matsuoka ..... D13/108  
 D643,412 S \* 8/2011 Brady ..... D14/218  
 D645,818 S \* 9/2011 Guccione ..... D13/108  
 D656,130 S \* 3/2012 Bailey ..... D14/227  
 D659,093 S \* 5/2012 Schmid ..... D13/108  
 8,299,978 B2 \* 10/2012 Gates ..... H01Q 1/007  
 343/725  
 D676,005 S \* 2/2013 Wood ..... D14/125  
 D680,015 S \* 4/2013 Hauser ..... D10/106.9  
 D685,790 S \* 7/2013 Tang ..... D14/218  
 D691,965 S \* 10/2013 Bedolla ..... D13/162  
 D695,258 S \* 12/2013 Hauser ..... D14/155  
 D696,190 S \* 12/2013 Brandtman ..... D13/108  
 D704,177 S \* 5/2014 Chun ..... D14/240  
 D704,178 S \* 5/2014 Kwak ..... D14/240  
 D706,212 S \* 6/2014 Zwierstra ..... D13/107  
 D711,345 S \* 8/2014 Liu ..... D14/140  
 D714,787 S \* 10/2014 Matsuoka ..... D14/426  
 D718,234 S \* 11/2014 Rautiainen ..... D13/108  
 D718,236 S \* 11/2014 Murray ..... D13/108  
 D720,289 S \* 12/2014 Chiang ..... D13/108  
 D725,034 S \* 3/2015 Chen ..... D13/108  
 D725,088 S \* 3/2015 Kwak ..... D14/240  
 D726,161 S \* 4/2015 Howard ..... D14/218  
 D730,349 S \* 5/2015 Burmeister-Brown ..... D14/240  
 D731,906 S \* 6/2015 Troutman ..... D10/70  
 D736,166 S \* 8/2015 Kuh ..... D14/125

D738,823 S \* 9/2015 Chen ..... D13/108  
 D740,264 S \* 10/2015 Kester ..... D14/248  
 D740,750 S \* 10/2015 Mayden ..... D13/108  
 D741,256 S \* 10/2015 Murphy-Reinhertz ..... D13/108  
 D741,306 S \* 10/2015 Kester ..... D14/248  
 D741,307 S \* 10/2015 Kester ..... D14/248  
 D743,954 S \* 11/2015 Chuang ..... D13/168  
 D747,267 S \* 1/2016 Aumiller ..... D13/108  
 D751,052 S \* 3/2016 Jones ..... D14/203.6  
 D752,531 S \* 3/2016 Xu ..... D14/125  
 D752,566 S \* 3/2016 Hinman ..... D14/242  
 D757,010 S \* 5/2016 Kang ..... D14/420  
 D757,014 S \* 5/2016 Hahn ..... D13/108  
 D763,210 S \* 8/2016 Park ..... D14/125  
 D766,844 S \* 9/2016 Turksu ..... D10/104.1  
 D768,634 S \* 10/2016 Akana ..... D14/432  
 D769,202 S \* 10/2016 Jung ..... D14/125  
 D769,836 S \* 10/2016 Axelsson ..... D14/125  
 D770,430 S \* 11/2016 Lee ..... D14/240  
 D770,534 S \* 11/2016 Thissen ..... D14/496  
 D771,142 S \* 11/2016 Langhammer ..... D14/203.6  
 D772,813 S \* 11/2016 Wahl ..... D13/108  
 D786,200 S \* 5/2017 Lagerstedt ..... D13/168  
 2005/0245254 A1 \* 11/2005 Hall ..... H04W 88/08  
 455/426.1  
 2008/0010405 A1 \* 1/2008 Allen ..... G06F 17/30115  
 711/115  
 2008/0184624 A1 \* 8/2008 Ogasawara ..... G06F 1/181  
 49/254  
 2009/0134838 A1 \* 5/2009 Raghuprasad ..... H02K 53/00  
 320/108  
 2011/0006956 A1 \* 1/2011 McCown ..... H01Q 1/40  
 343/702  
 2013/0028457 A1 \* 1/2013 Yeh ..... H04R 1/10  
 381/334  
 2014/0031081 A1 \* 1/2014 Vossoughi ..... H04M 1/0254  
 455/556.1  
 2014/0117926 A1 \* 5/2014 Hwu ..... H02J 7/025  
 320/108  
 2014/0233613 A1 \* 8/2014 Fink ..... H04W 24/02  
 375/219  
 2014/0286641 A1 \* 9/2014 Yee ..... G08C 23/04  
 398/107  
 2016/0170455 A1 \* 6/2016 Liu ..... G06F 1/20  
 361/679.49

OTHER PUBLICATIONS

Infrared and networking devices. (Design—© Questel). orbit.com. [online PDF] 5 pgs. Print Dates range Jan. 22, 2014 through Jan. 18, 2017 [retrieved on Jun. 5, 2017] <https://sobjprd.questel.fr/export/QPTUJ214/pdf2/cd9cf8f1-1cea-45da-9aaa-ac1d98768dac-013524.pdf>.\*

\* cited by examiner

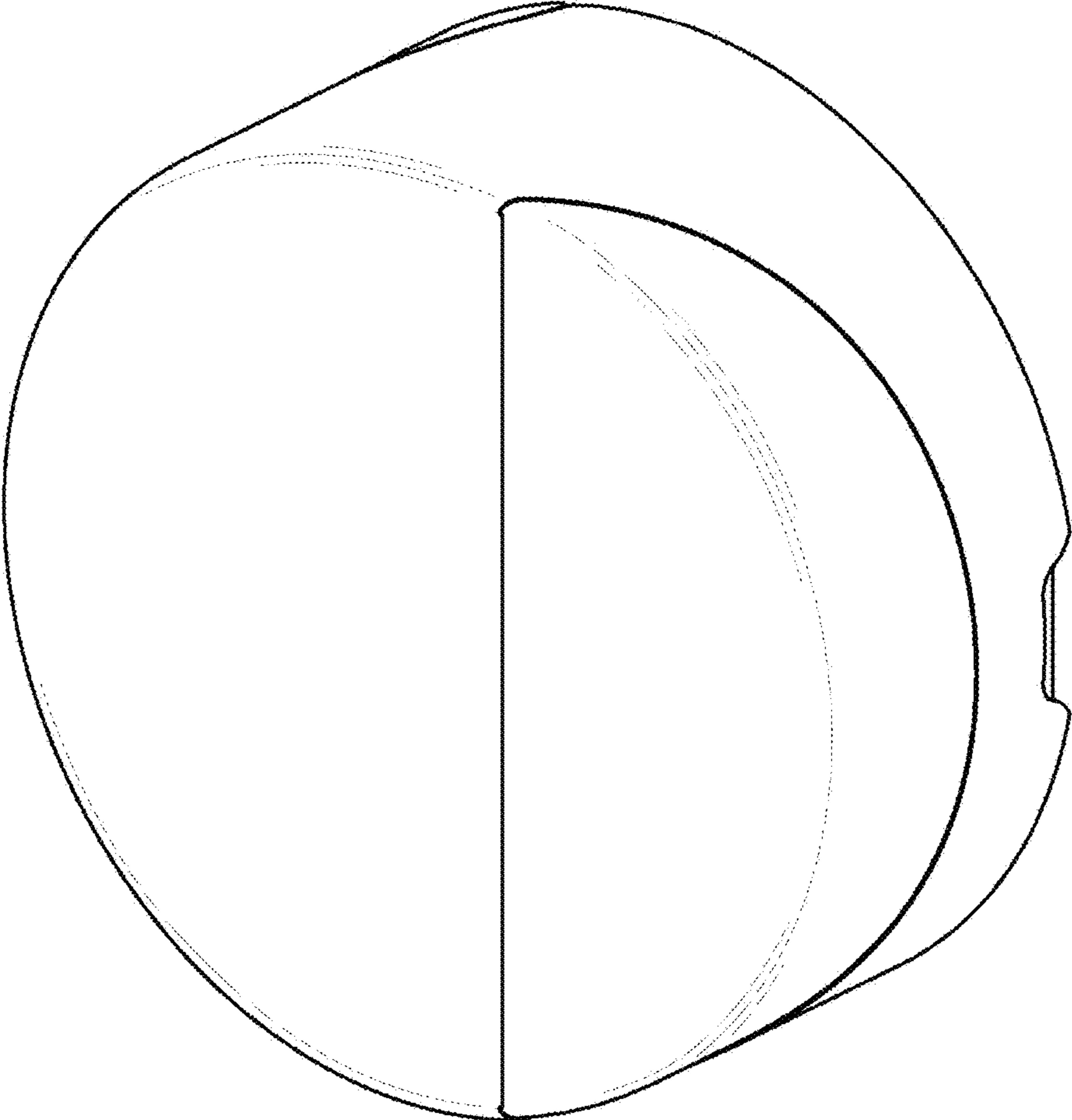


FIG.1



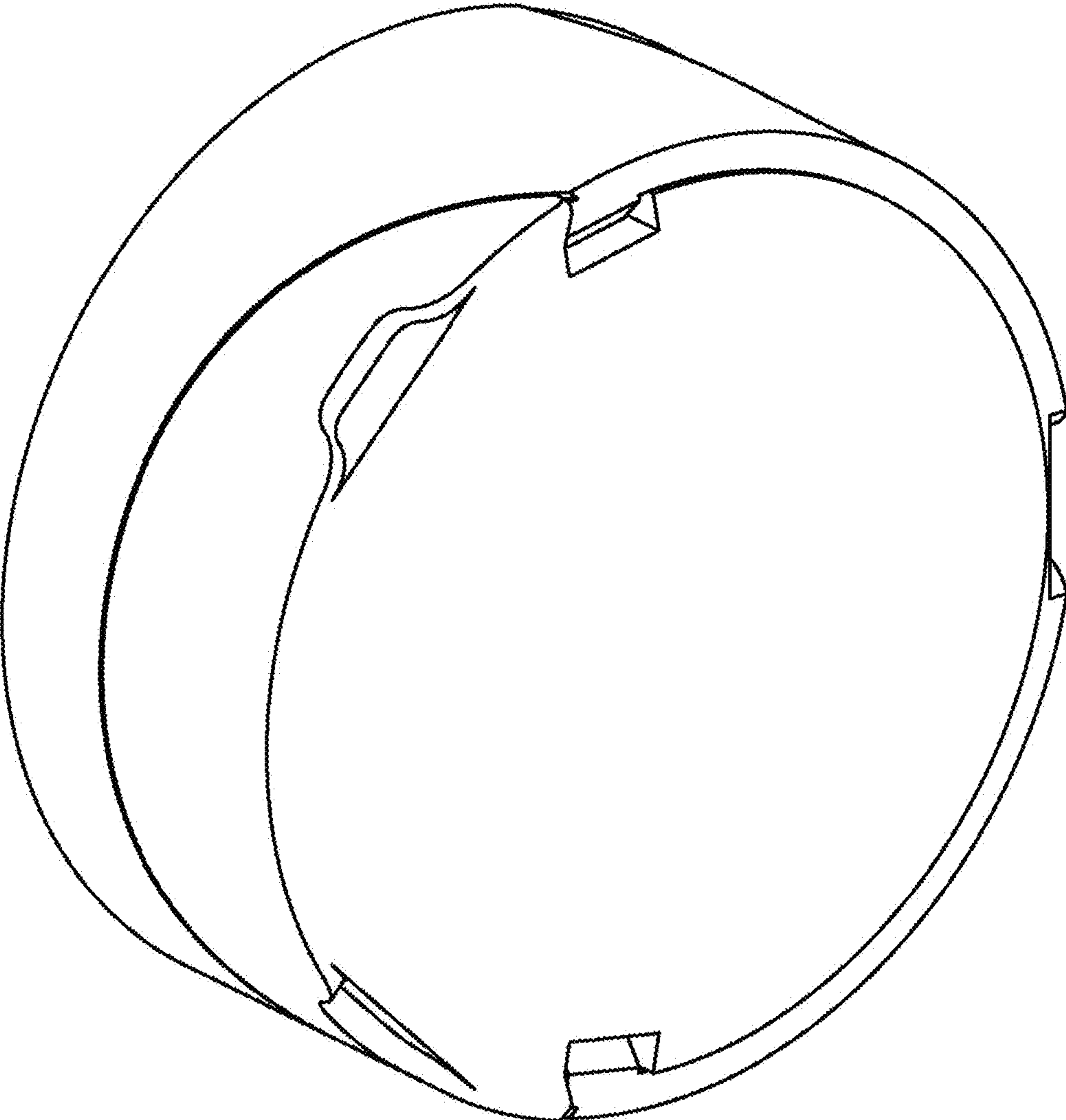


FIG.2

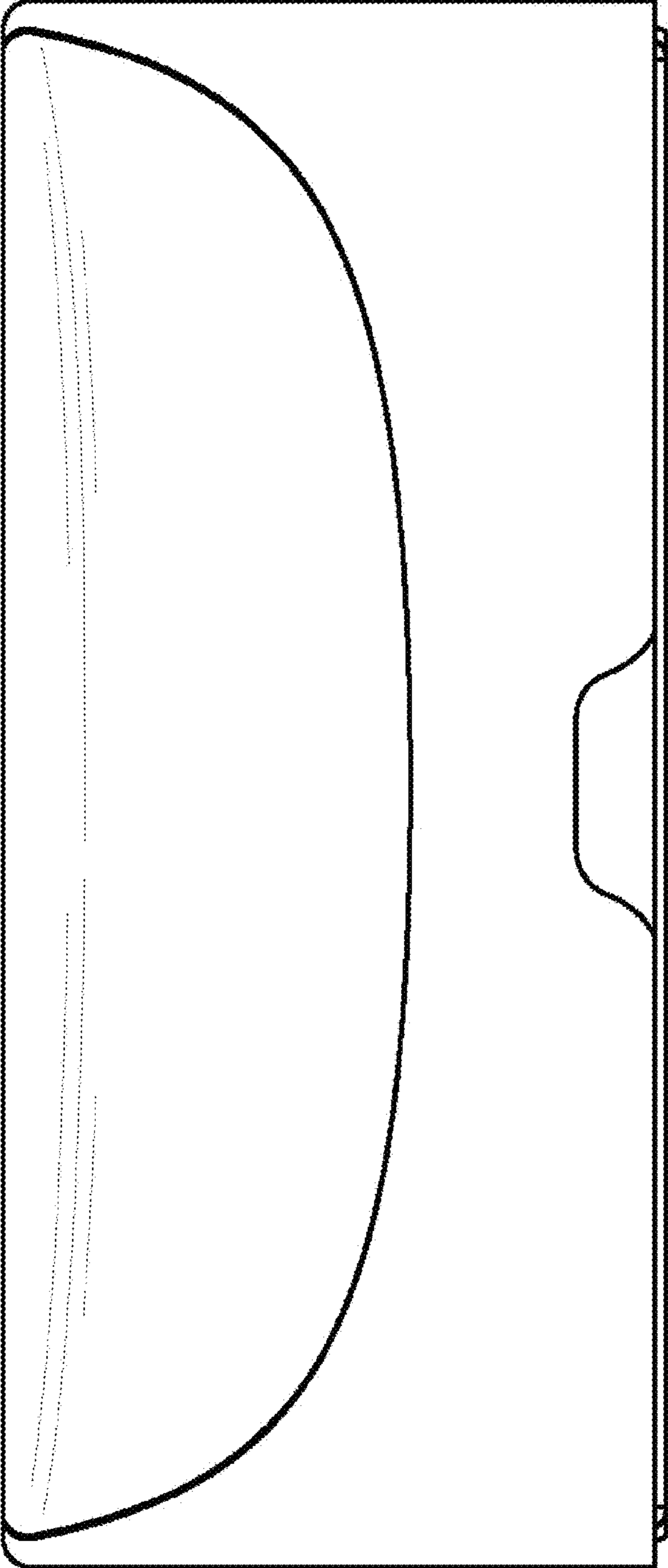
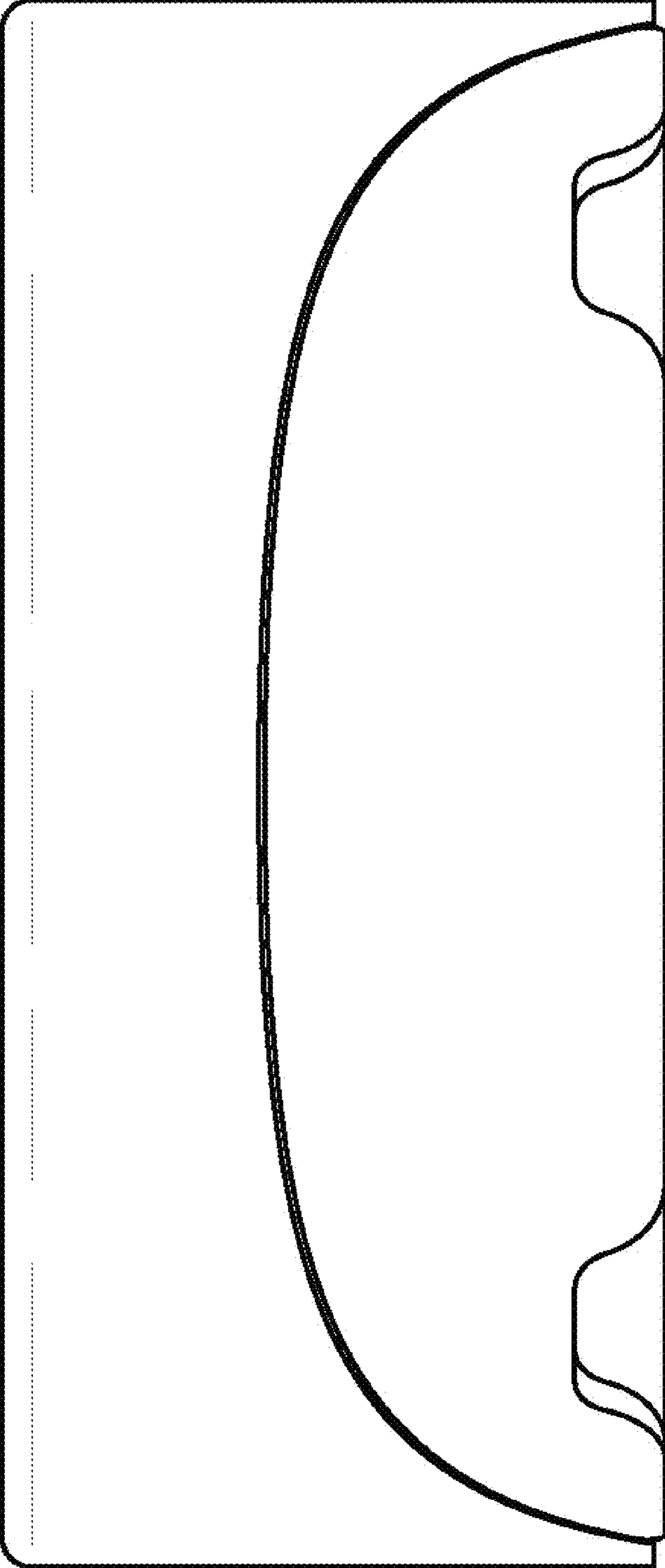


FIG.3



**FIG.4**

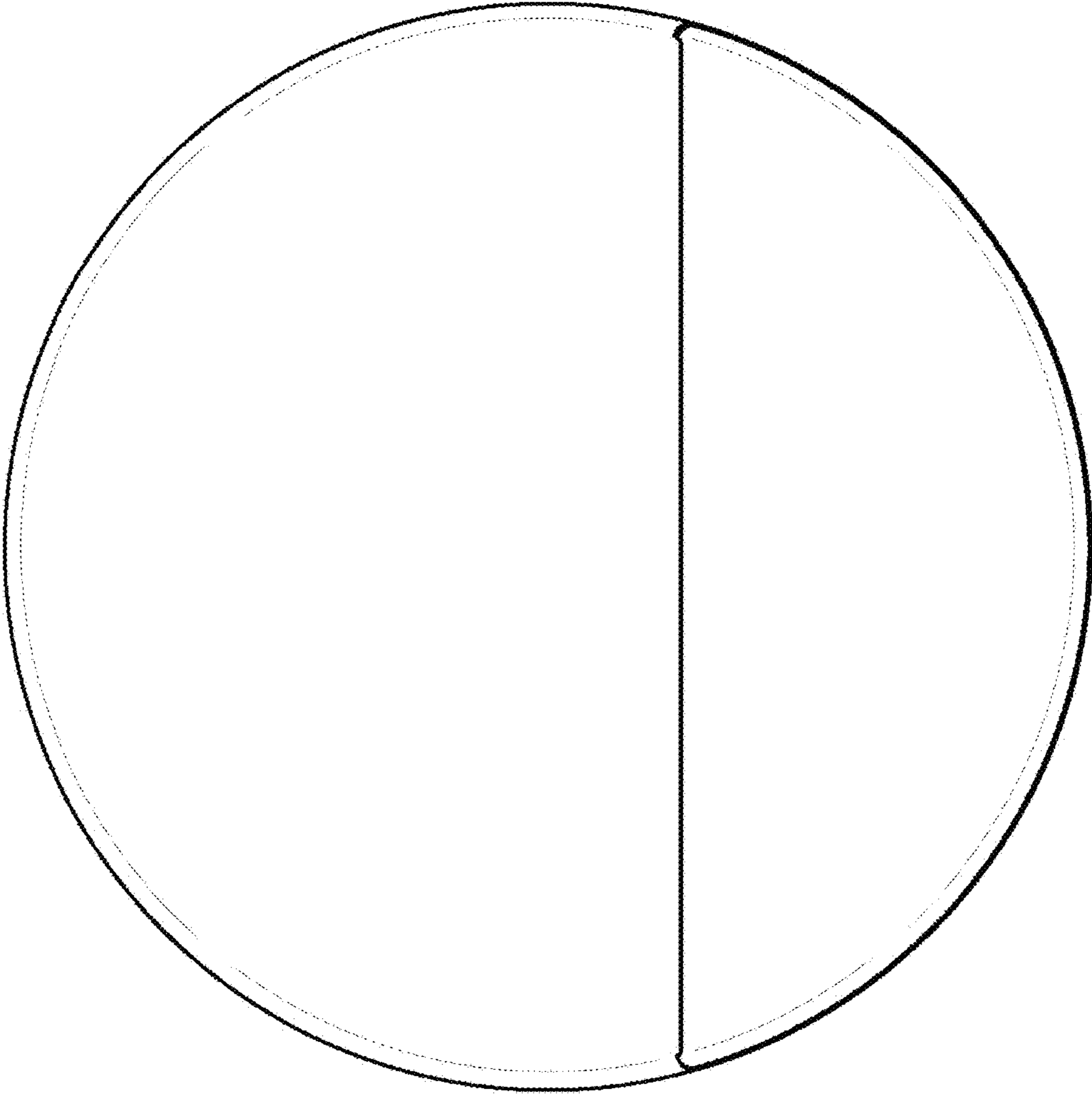


FIG.5

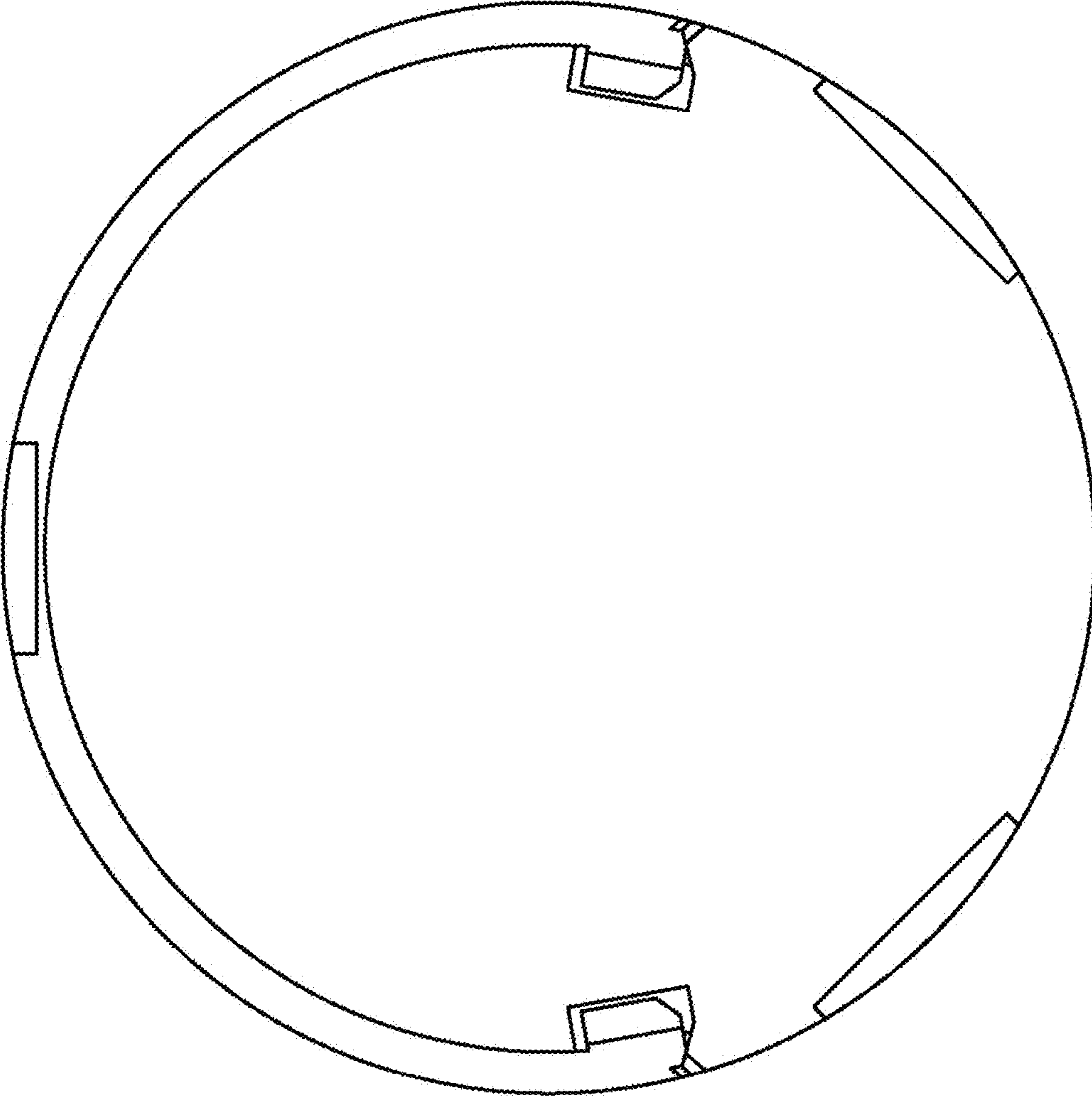


FIG.6



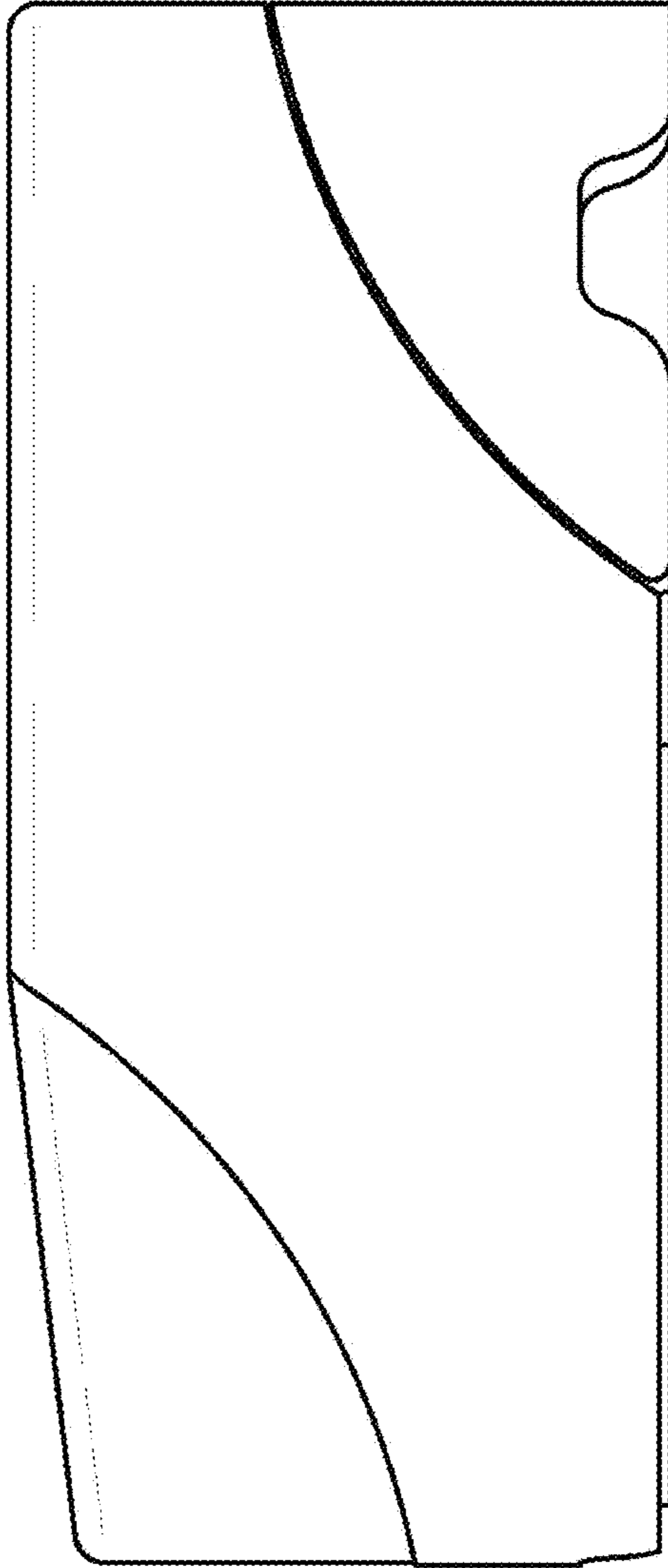


FIG. 7