



US00D807866S

(12) **United States Design Patent**  
**Won et al.**

(10) **Patent No.:** **US D807,866 S**  
(45) **Date of Patent:** **\*\* Jan. 16, 2018**

(54) **WALL HANGER FOR TV RECEIVER**

8,544,806 B1 \* 10/2013 Dang ..... A47G 1/20  
248/301

(71) Applicant: **LG ELECTRONICS INC.**, Seoul  
(KR)

D703,641 S \* 4/2014 Xiang ..... D14/239

9,109,742 B2 \* 8/2015 Smith ..... F16M 11/10

9,521,915 B1 \* 12/2016 Tanger ..... A47G 1/1606

9,642,480 B1 \* 5/2017 Tanger ..... A47G 1/17

9,661,946 B2 \* 5/2017 Stammnitz ..... A47G 25/0685

(72) Inventors: **Hyojin Won**, Seoul (KR); **Taeho Kim**,  
Seoul (KR); **Yongho Lee**, Seoul (KR)

\* cited by examiner

(73) Assignee: **LG Electronics Inc.**, Seoul (KR)

*Primary Examiner* — George D Kirschbaum

(\*\*) Term: **15 Years**

(74) *Attorney, Agent, or Firm* — Birch, Stewart, Kolasch  
& Birch, LLP

(21) Appl. No.: **35/501,787**

(22) Filed: **Apr. 26, 2016**

(80) **Hague Agreement Data**

Int. Filing Date: **Apr. 26, 2016**

Int. Reg. No.: **DM/091251**

Int. Reg. Date: **Apr. 26, 2016**

Int. Reg. Pub. Date: **Oct. 28, 2016**

(57) **CLAIM**

The ornamental design for a wall hanger for TV receiver, as  
shown and described.

(30) **Foreign Application Priority Data**

Nov. 2, 2015 (KR) ..... 30-2015-0055117

(51) **LOC (11) Cl.** ..... **14-03**

(52) **U.S. Cl.**

USPC ..... **D14/239**

(58) **Field of Classification Search**

USPC ..... D14/239

CPC ..... A47G 1/20; A47G 1/1606; A47G 1/17;  
A47G 25/0685; F16M 11/10

See application file for complete search history.

**DESCRIPTION**

1. Wall hanger for TV receiver

1.1 : Perspective

1.2 : Front

1.3 : Back

1.4 : Left

1.5 : Right

1.6 : Top

1.7 : Bottom

1.8 : Reference

1.9 : Reference

1.10 : Enlarged

The broken line showing is included for the purpose of  
illustrating portions of the “article” and forms no part of the  
claimed design.

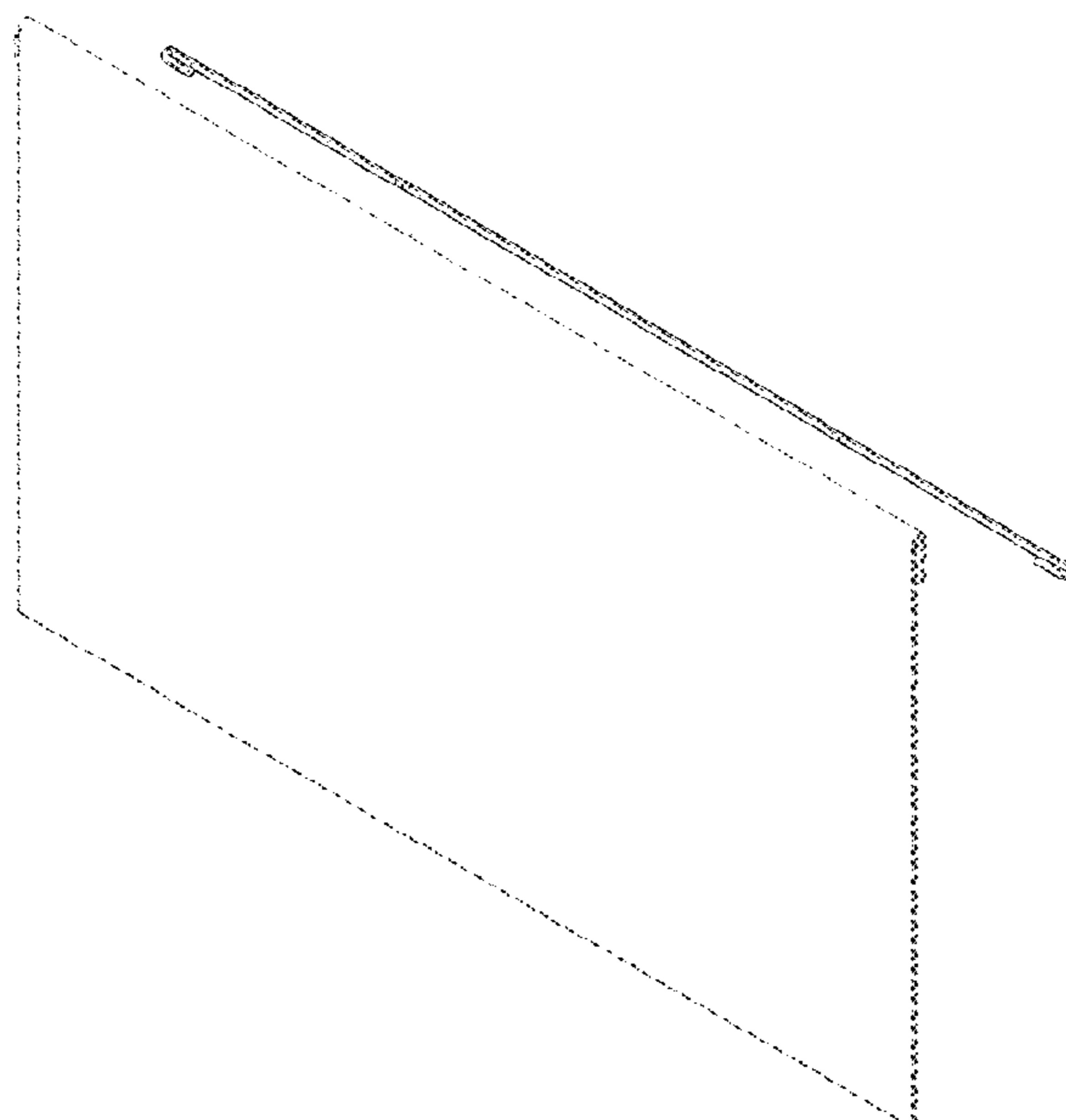
(56) **References Cited**

**U.S. PATENT DOCUMENTS**

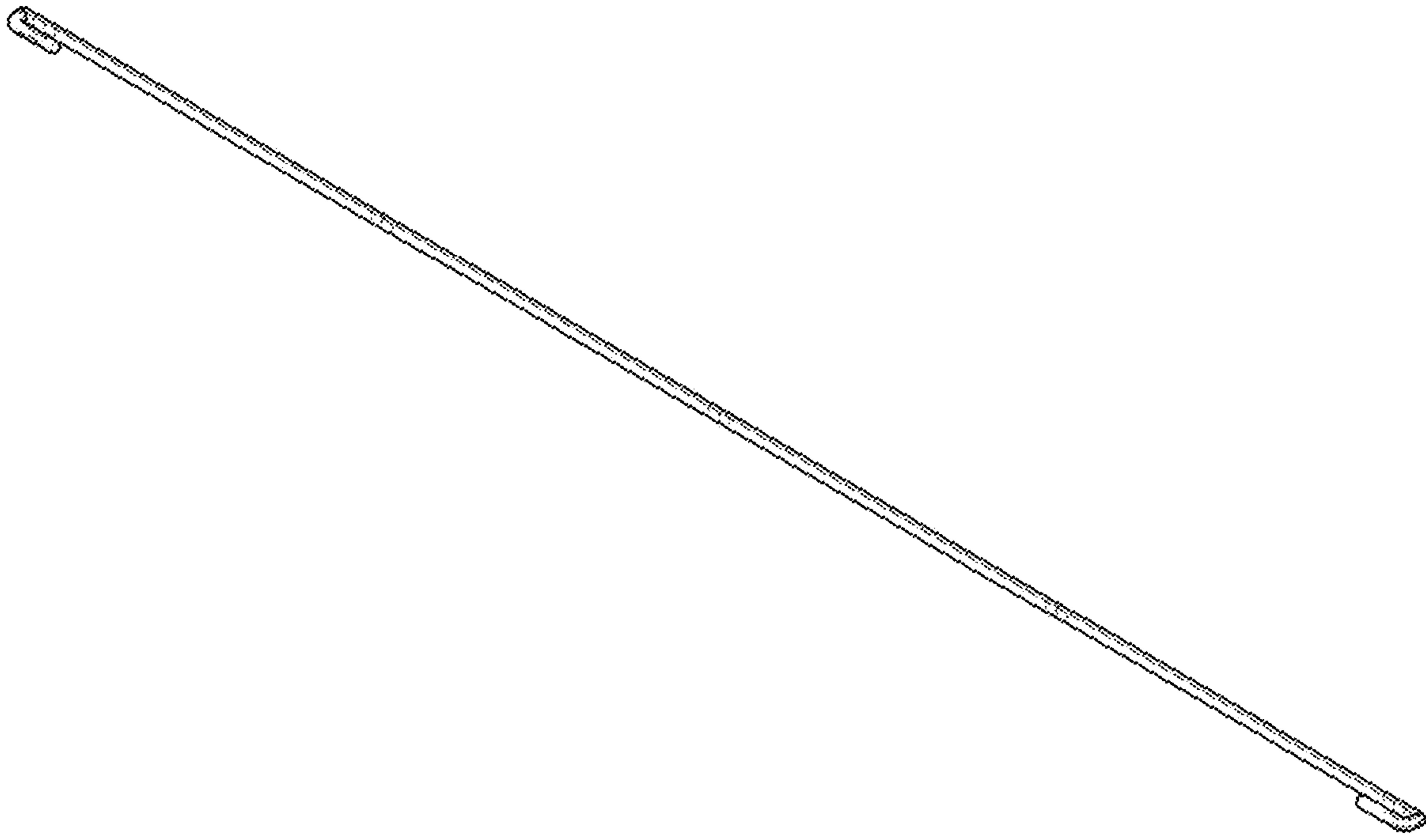
D631,875 S \* 2/2011 Skull ..... D14/239

D684,566 S \* 6/2013 Sexton ..... D14/239

**1 Claim, 10 Drawing Sheets**



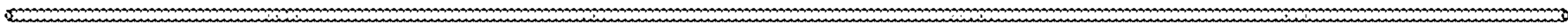
1.1



**1.2**



**1.3**



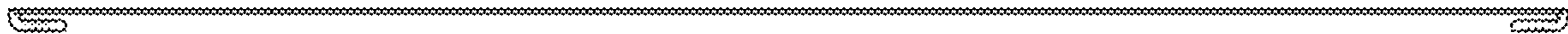
**1.4**



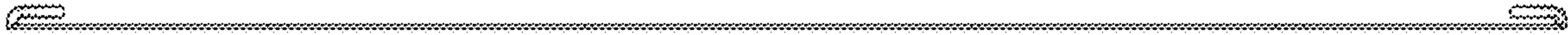
1.5



**1.6**

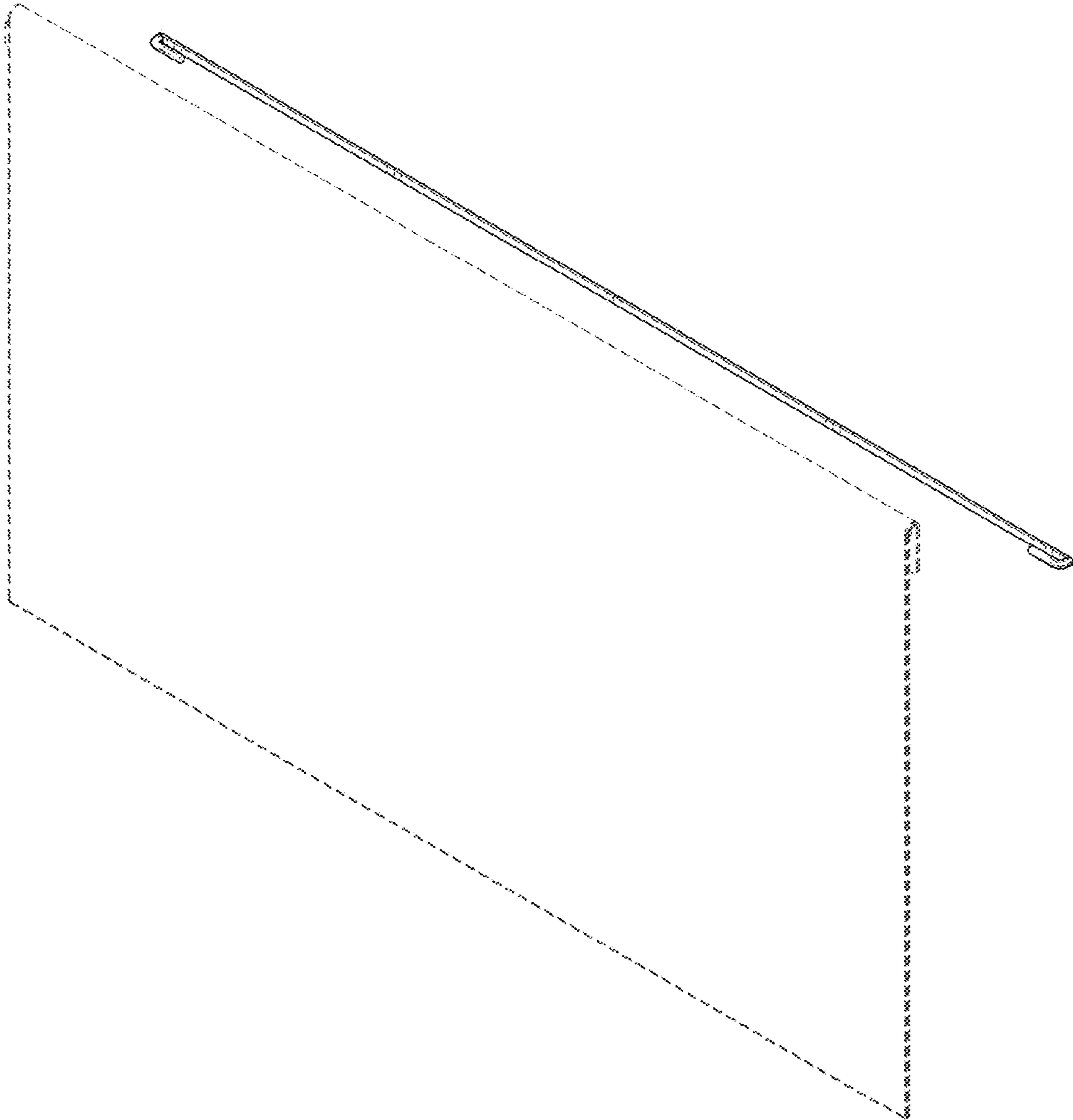


1.7

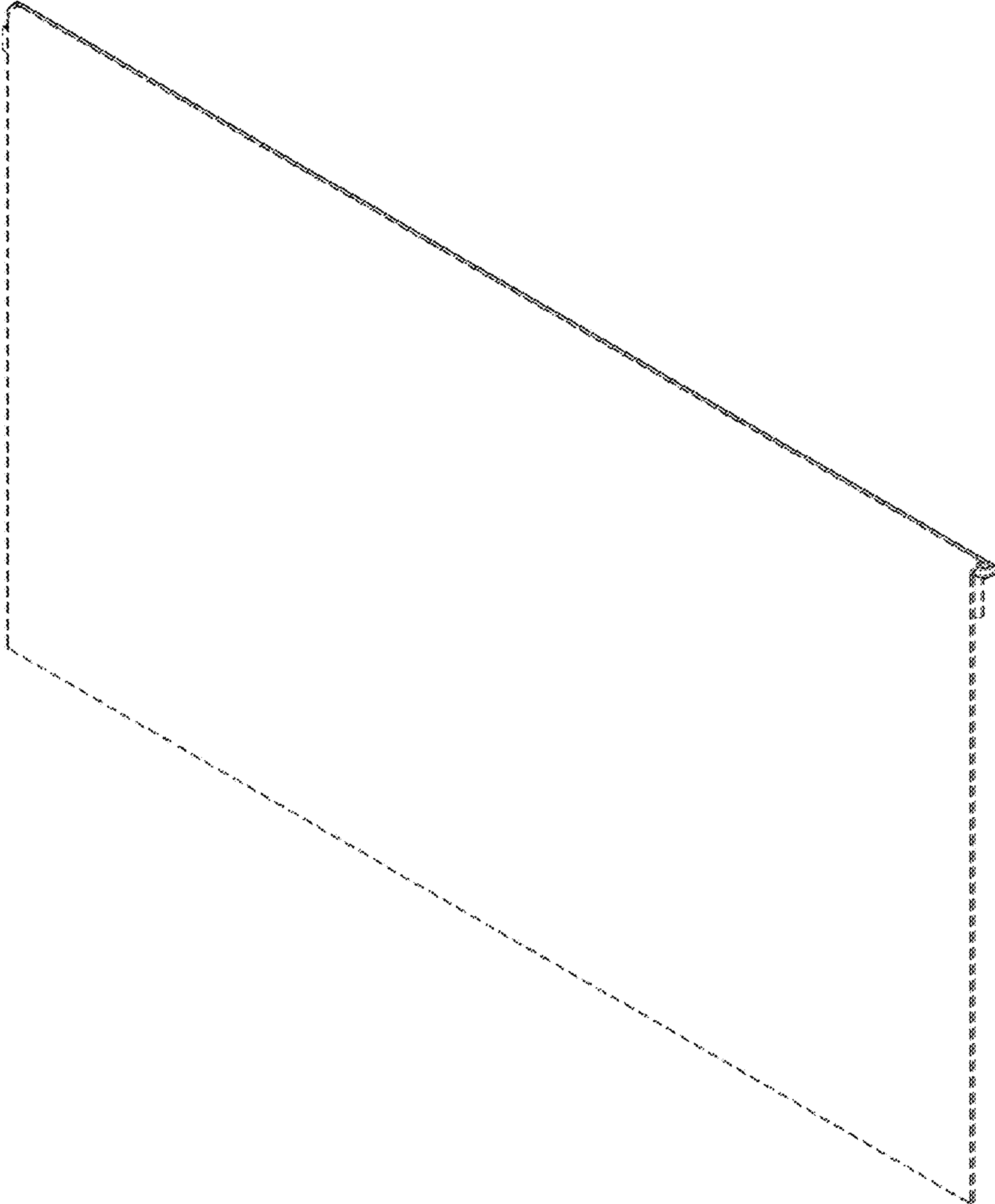




1.8



1.9



1.10

