



US00D807865S

(12) **United States Design Patent**
He et al.

(10) **Patent No.:** **US D807,865 S**
(45) **Date of Patent:** **** Jan. 16, 2018**

- (54) **ANTENNA MOUNTING FRAME**
- (71) Applicant: **Airgain Incorporated**, San Diego, CA (US)
- (72) Inventors: **Ziming He**, Irvine, CA (US); **Xiangjie Bian**, Zhang Jia Gang (CN); **Xiaowei Wu**, Zhang Jia Gang (CN)
- (73) Assignee: **Airgain Incorporated**, San Diego, CA (US)
- (**) Term: **15 Years**
- (21) Appl. No.: **29/535,556**
- (22) Filed: **Aug. 7, 2015**
- (51) **LOC (11) Cl.** **14-03**
- (52) **U.S. Cl.**
USPC **D14/238**
- (58) **Field of Classification Search**
USPC ... D14/230, 234, 236, 238, 238.1, 299, 358, D14/433, 496; D8/349, 353, 354, 363, D8/373, 380, 381; D10/103; D13/123, D13/133
CPC H01Q 3/44; H01Q 1/366; H01Q 1/243; H01Q 1/02; H01Q 1/28; H01Q 1/42; G01D 4/00-4/18
See application file for complete search history.

- D640,635 S * 6/2011 Ngo D13/147
- D717,803 S * 11/2014 Takano D14/433
- D730,156 S * 5/2015 Johnson D8/349
- 2011/0189886 A1 * 8/2011 Chen H04Q 1/13
439/488
- 2012/0050128 A1 * 3/2012 Olson H01Q 1/246
343/839
- 2012/0077379 A1 * 3/2012 Zhang H01R 13/514
439/607.01

* cited by examiner

Primary Examiner — George D. Kirschbaum

Assistant Examiner — Joseph J Kukella

(74) *Attorney, Agent, or Firm* — Clause Eight IPS; Michael Catania

(57) **CLAIM**

The ornamental design for an antenna mounting frame, as shown and described.

DESCRIPTION

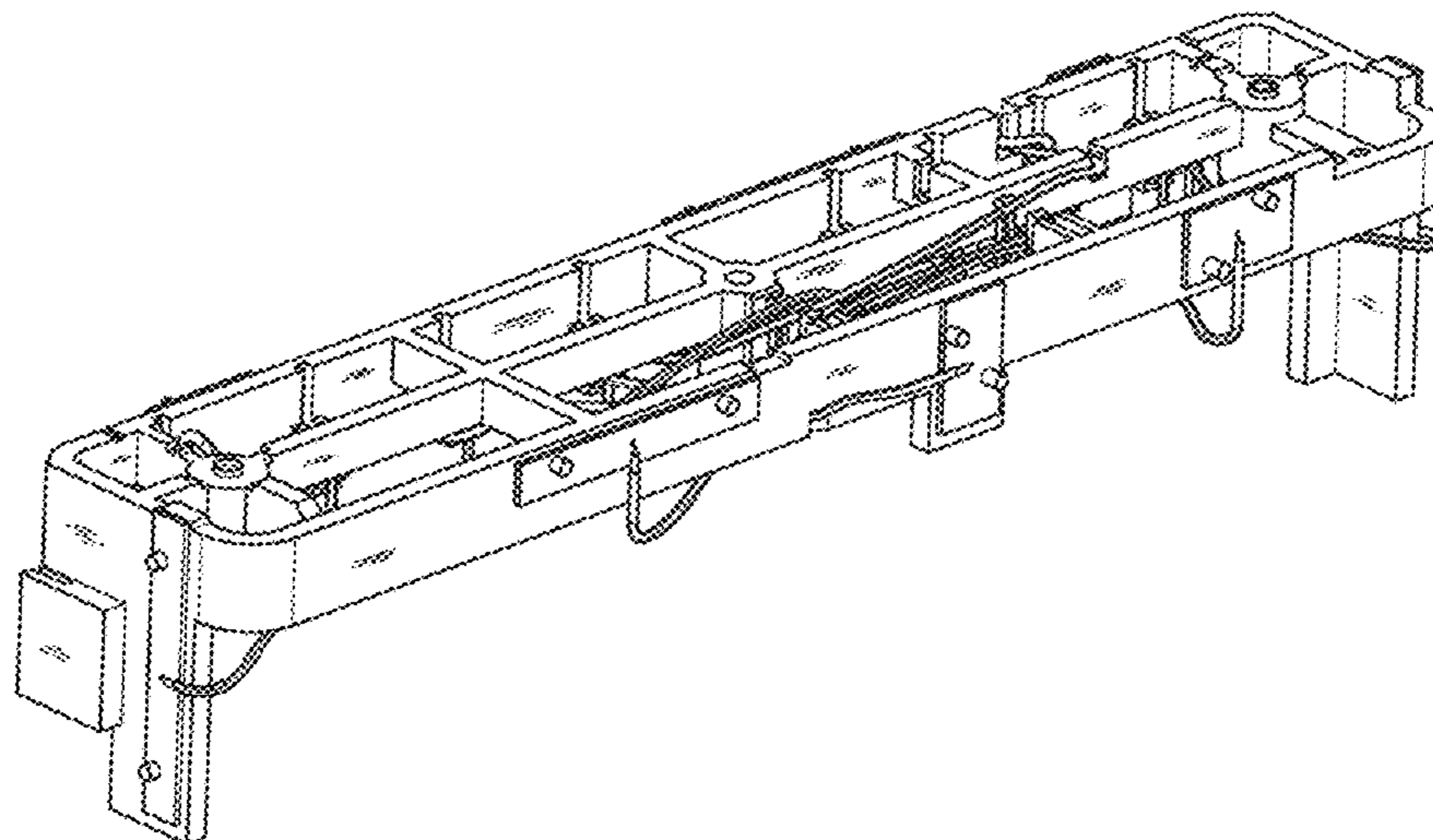
FIG. 1 is a front elevation view of a preferred embodiment of an antenna mounting frame.
 FIG. 2 is a side elevation view of the antenna mounting frame of FIG. 1.
 FIG. 3 is a top plan view of the antenna mounting frame of FIG. 1.
 FIG. 4 is a top perspective view of the antenna mounting frame of FIG. 1.
 FIG. 5 is a front elevation view of an alternative embodiment of an antenna mounting frame.
 FIG. 6 is a side elevation view of the antenna mounting frame of FIG. 5.
 FIG. 7 is a top plan view of the antenna mounting frame of FIG. 5; and,
 FIG. 8 is a top perspective view of the antenna mounting frame of FIG. 5.
 In the drawings, the broken lines depict environmental subject matter only and form no part of the claimed design.

1 Claim, 8 Drawing Sheets

(56) **References Cited**

U.S. PATENT DOCUMENTS

- D316,078 S * 4/1991 Moriai D13/133
- D400,865 S * 11/1998 Korhonen D10/103
- D410,652 S * 6/1999 Jones D14/238
- D495,995 S * 9/2004 Moriyama D13/133
- 7,014,475 B1 * 3/2006 Mongold H01R 12/79
439/67
- D548,739 S * 8/2007 Nakamura D14/433
- 7,479,017 B1 * 1/2009 Koopman H01R 13/6658
439/67



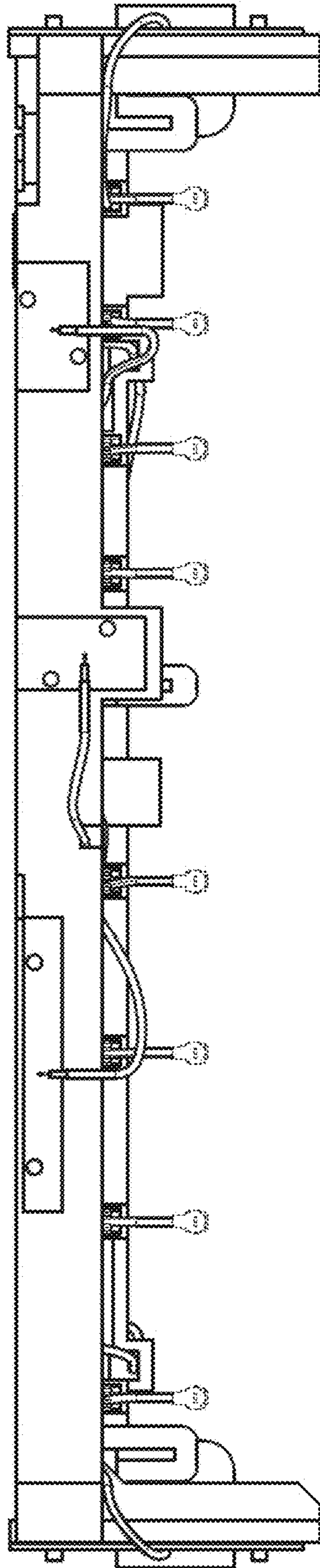


FIG. 1

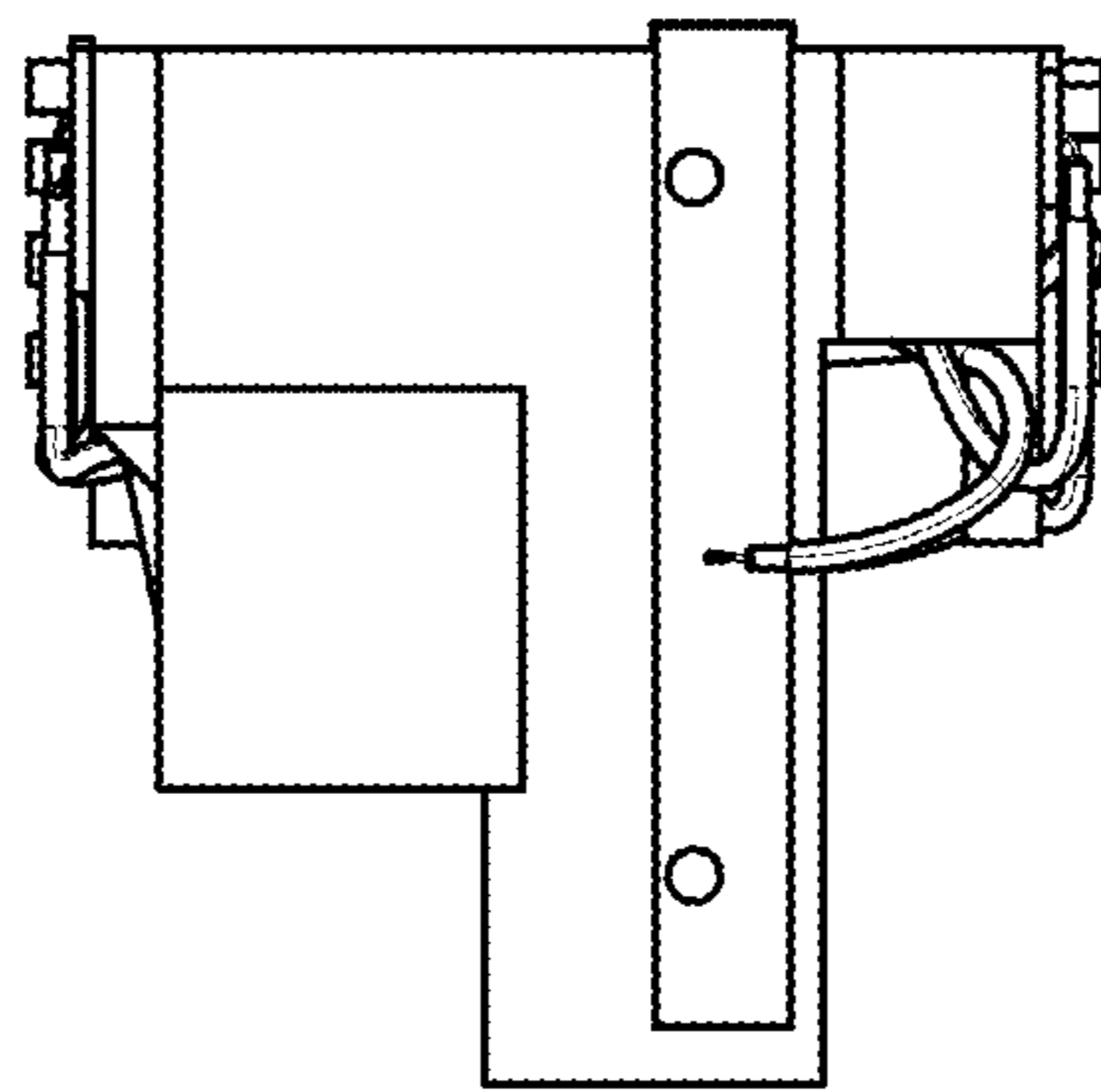


FIG. 2

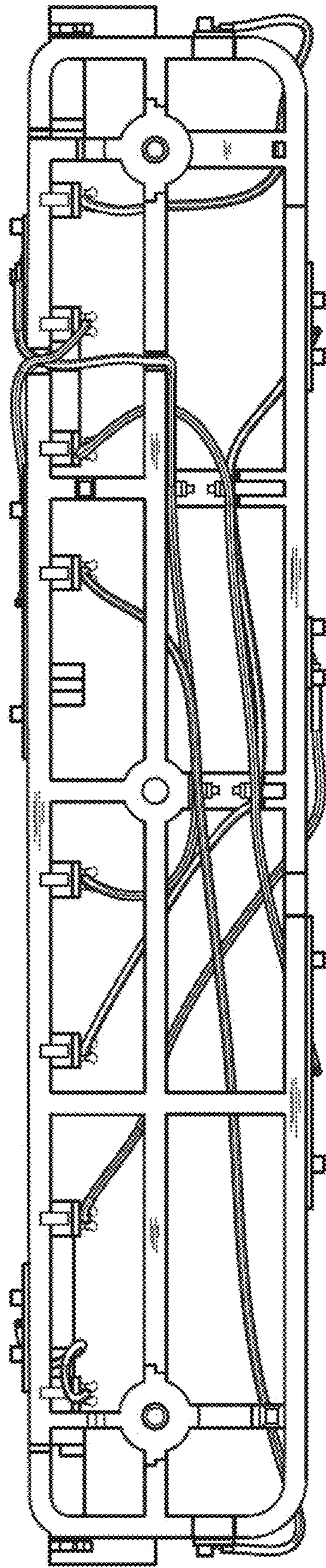


FIG. 3

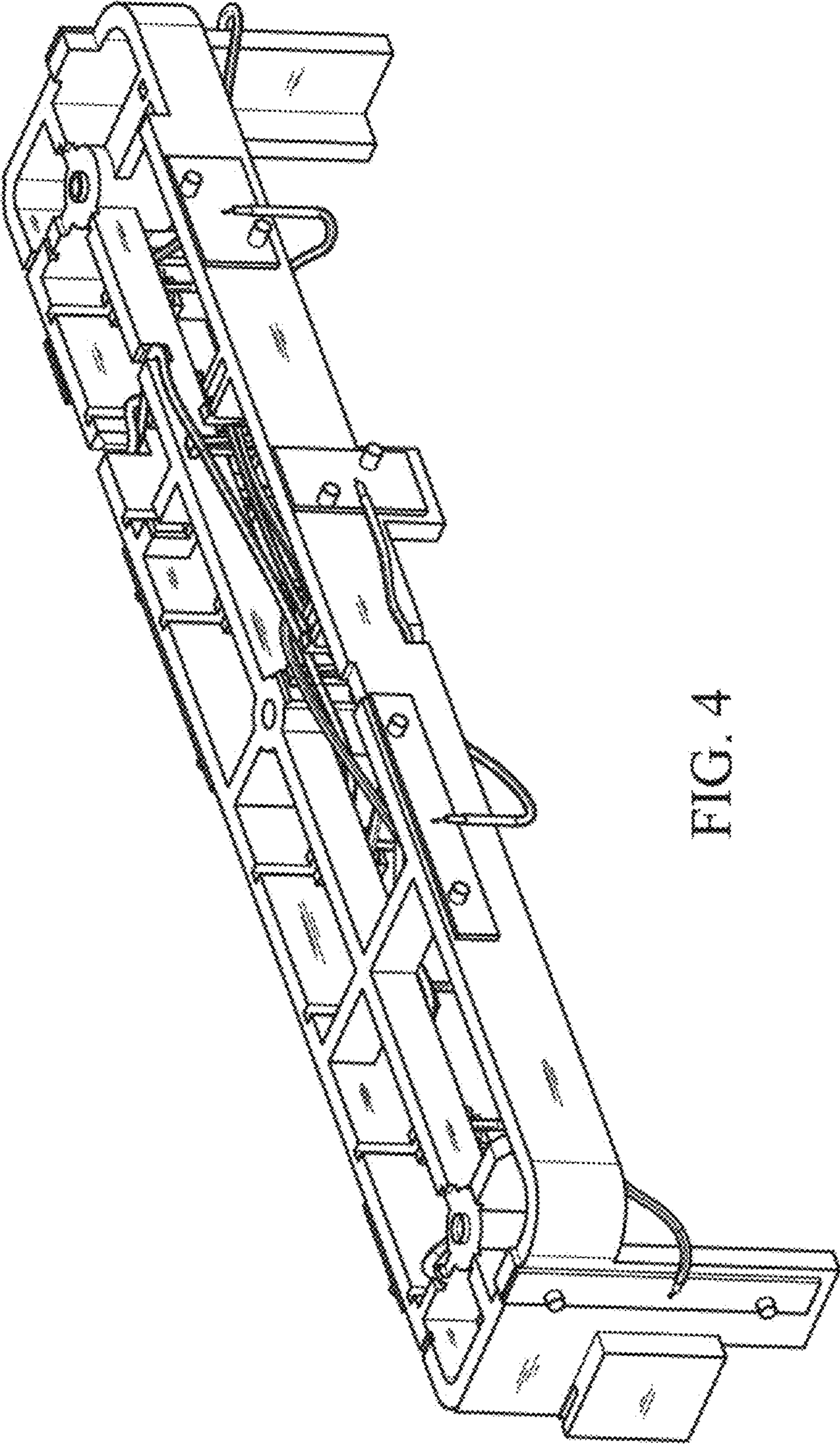


FIG. 4

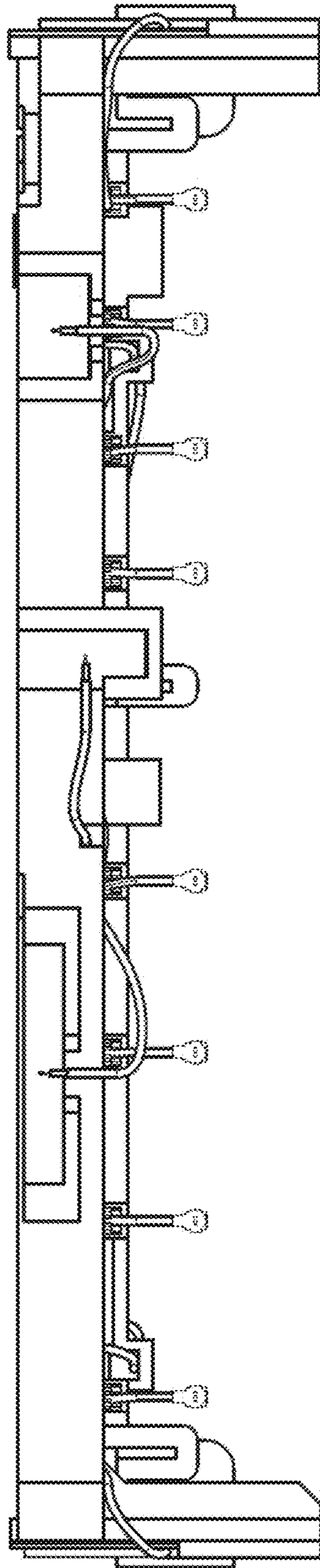


FIG. 5

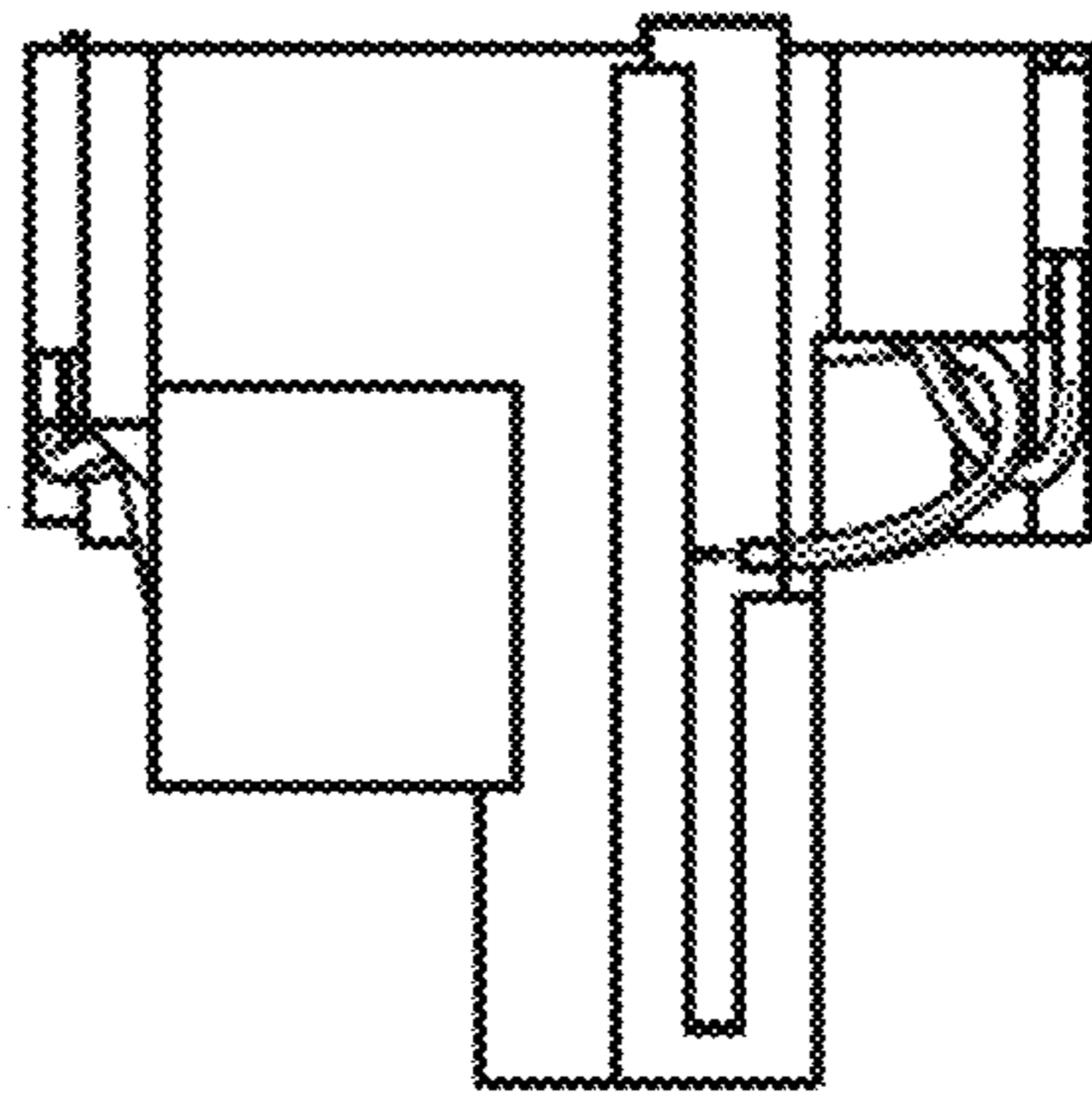


FIG. 6

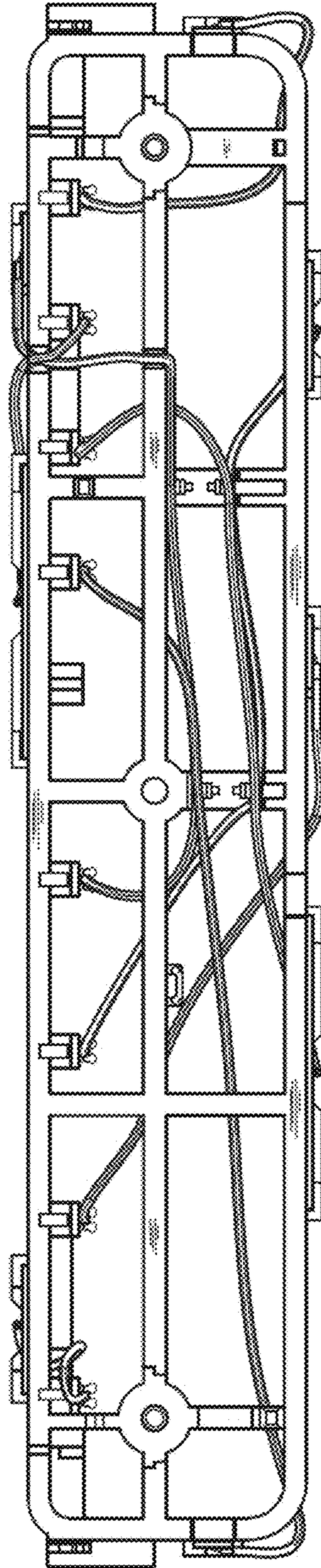


FIG. 7

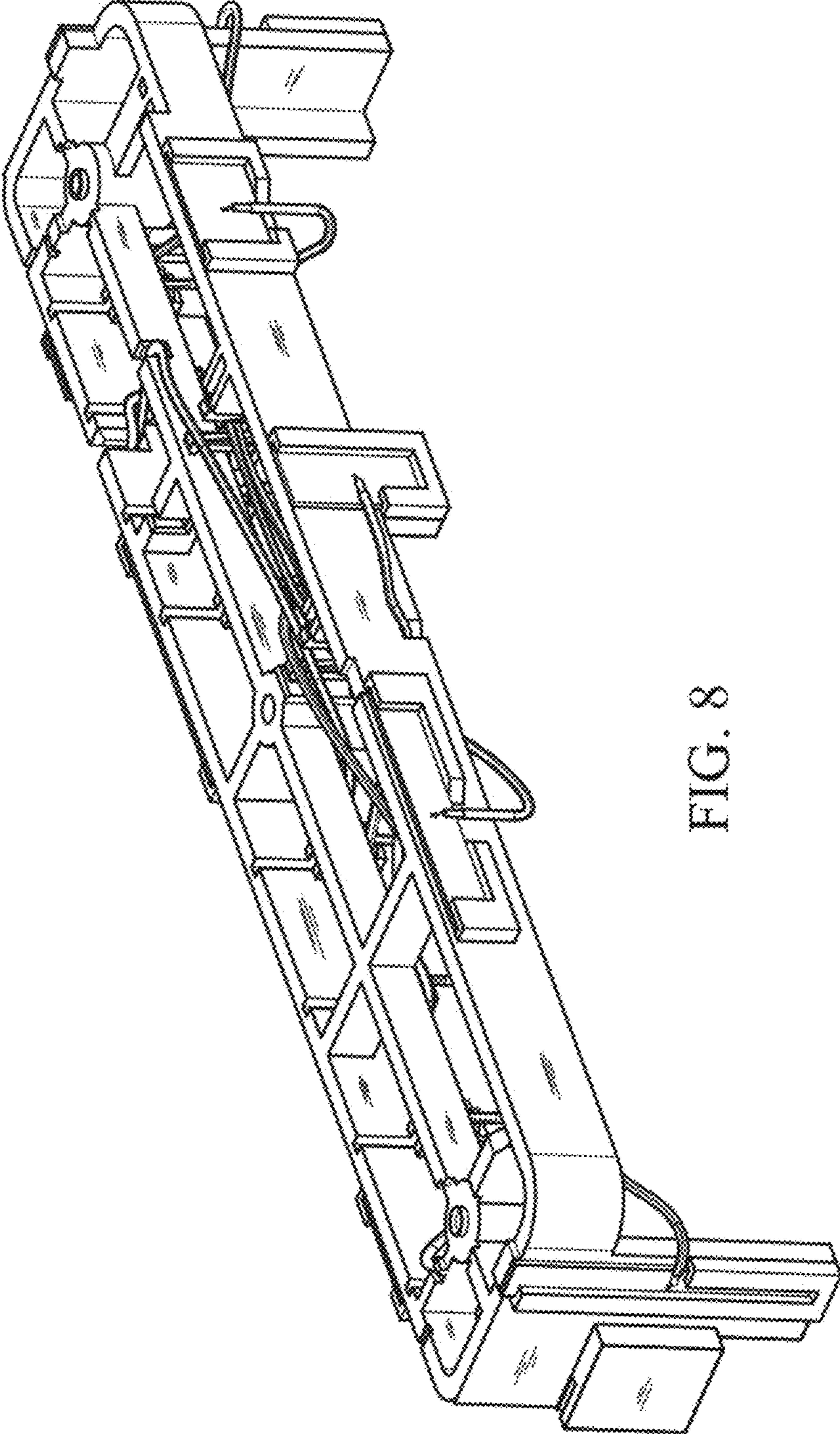


FIG. 8