



US00D807864S

(12) **United States Design Patent** (10) **Patent No.:** **US D807,864 S**  
**He et al.** (45) **Date of Patent:** **\*\* Jan. 16, 2018**

(54) **ANTENNA**

(71) Applicant: **Airgain Incorporated**, San Diego, CA (US)

(72) Inventors: **Ziming He**, Irvine, CA (US); **Xiangjie Bian**, Zhang Jia Gang (CN)

(73) Assignee: **Airgain Incorporated**, San Diego, CA (US)

(\*\*) Term: **15 Years**

(21) Appl. No.: **29/610,824**

(22) Filed: **Jul. 16, 2017**

**Related U.S. Application Data**

(62) Division of application No. 29/555,959, filed on Feb. 25, 2016, now Pat. No. Des. 792,381.

(51) **LOC (11) Cl.** ..... **14-03**

(52) **U.S. Cl.**  
USPC ..... **D14/230**

(58) **Field of Classification Search**  
USPC ..... D14/138, 230, 231, 232, 234, 235, 236,  
D14/237, 238, 238.1, 250, 299, 358;  
D13/182

CPC ..... G01R 29/10; G01S 2013/0245; G01S  
2013/0254; G01S 2013/0263; G01S  
7/4026; G05B 2219/45001; G06K  
19/07773; G06K 19/07775; G06K  
19/07777; G08B 13/2468; G08B 13/2477;  
H01Q 1/088

See application file for complete search history.

(56) **References Cited**

**U.S. PATENT DOCUMENTS**

7,489,278 B2 \* 2/2009 Huang ..... H01Q 9/0421  
343/700 MS  
D692,870 S \* 11/2013 He ..... D14/230  
D694,738 S \* 12/2013 Yang ..... D14/230  
D791,108 S \* 7/2017 He ..... D14/230  
D792,381 S \* 7/2017 He ..... D14/230  
D795,848 S \* 8/2017 Zheng ..... D14/230  
D799,453 S \* 10/2017 Chang ..... D14/230  
D799,458 S \* 10/2017 Chang ..... D14/230

\* cited by examiner

*Primary Examiner* — Ian Simmons

*Assistant Examiner* — Mojtaba Tehrani

(74) *Attorney, Agent, or Firm* — Clause Eight IPS;  
Michael Catania

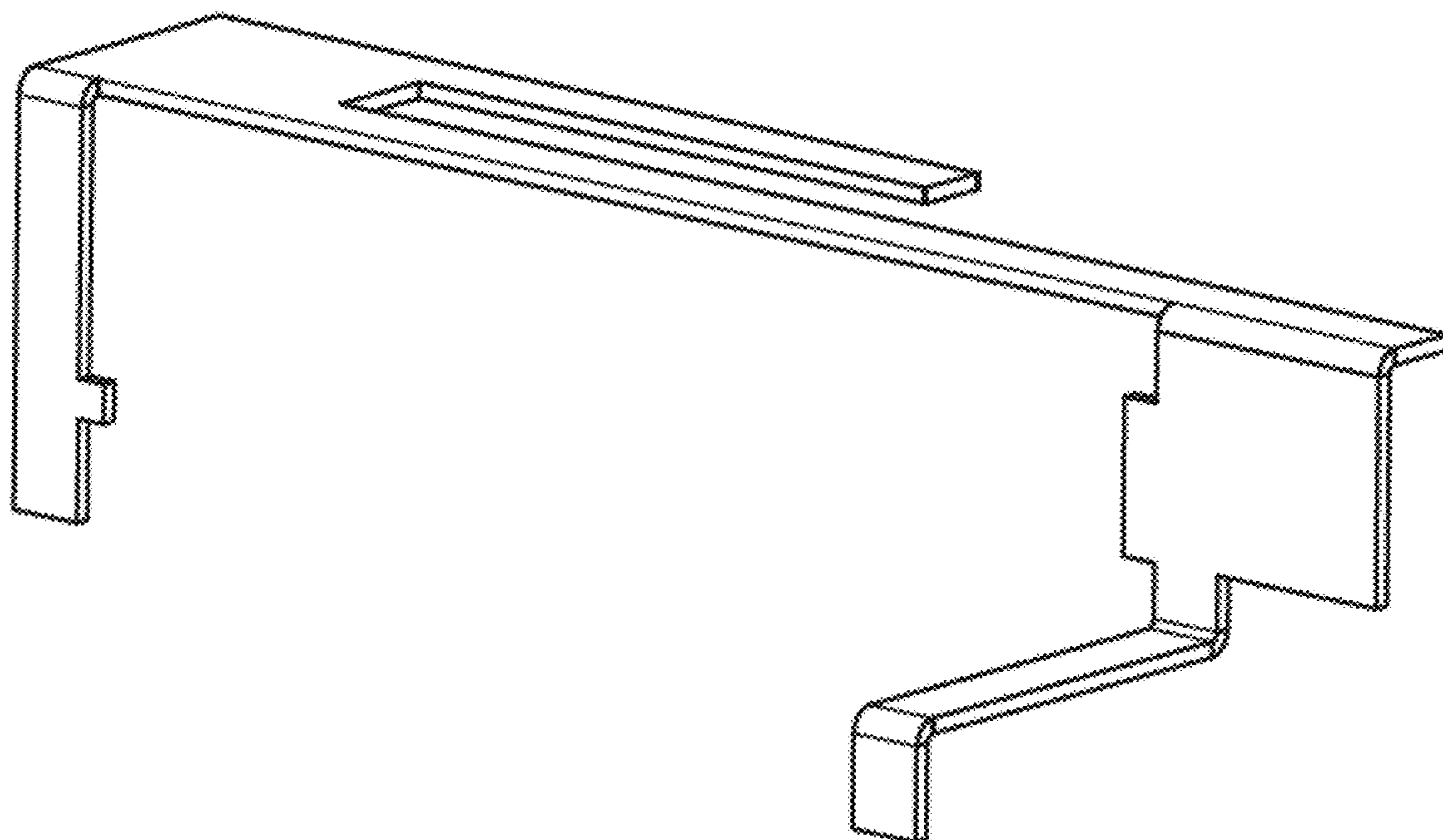
(57) **CLAIM**

The ornamental design for an antenna, as shown and described.

**DESCRIPTION**

FIG. 1 is a top perspective view of an antenna, showing our new design;  
FIG. 2 is a top plan view thereof;  
FIG. 3 is a front elevation view thereof; and,  
FIG. 4 is a side elevation view thereof.

**1 Claim, 2 Drawing Sheets**



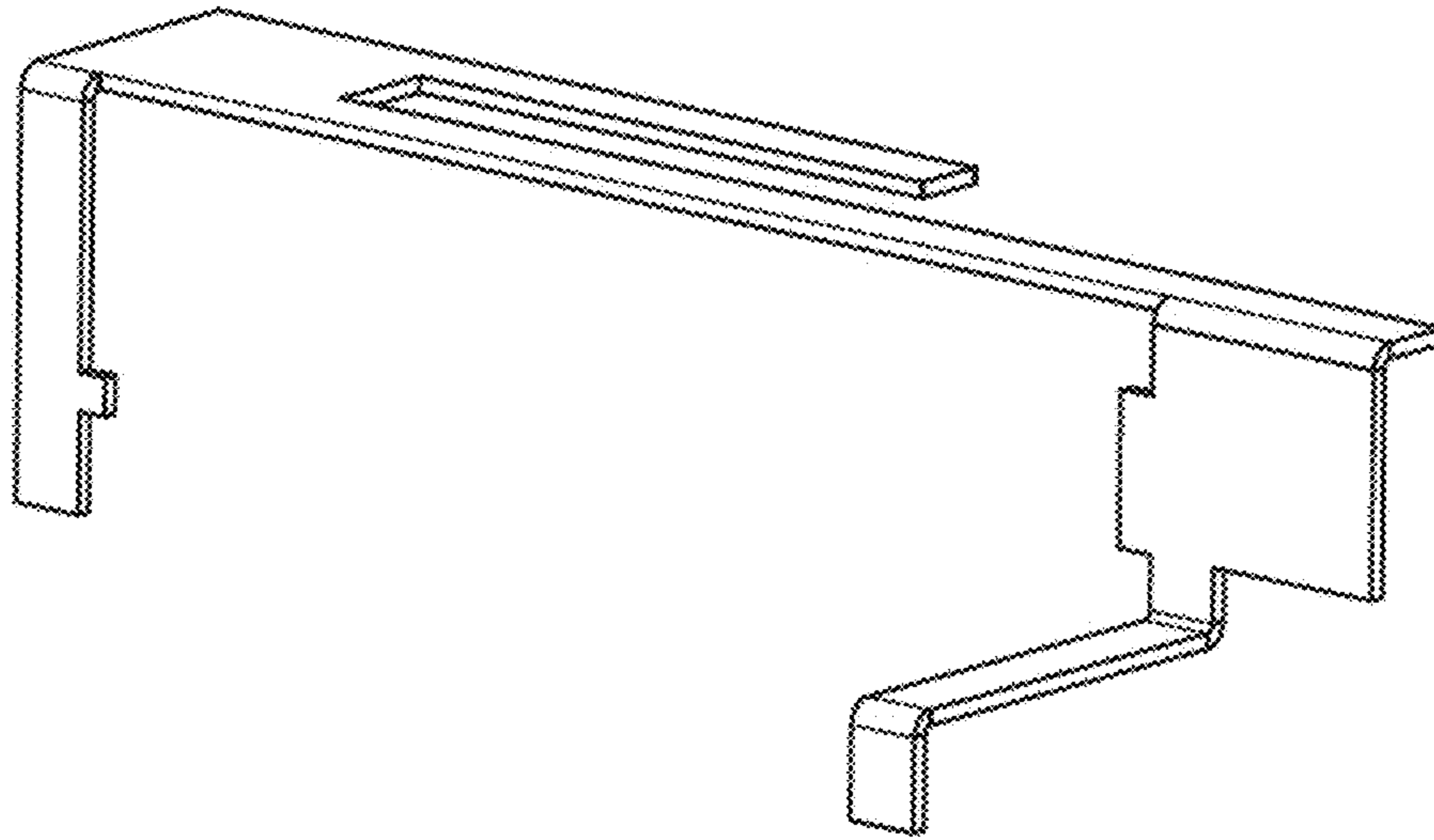


FIG. 1

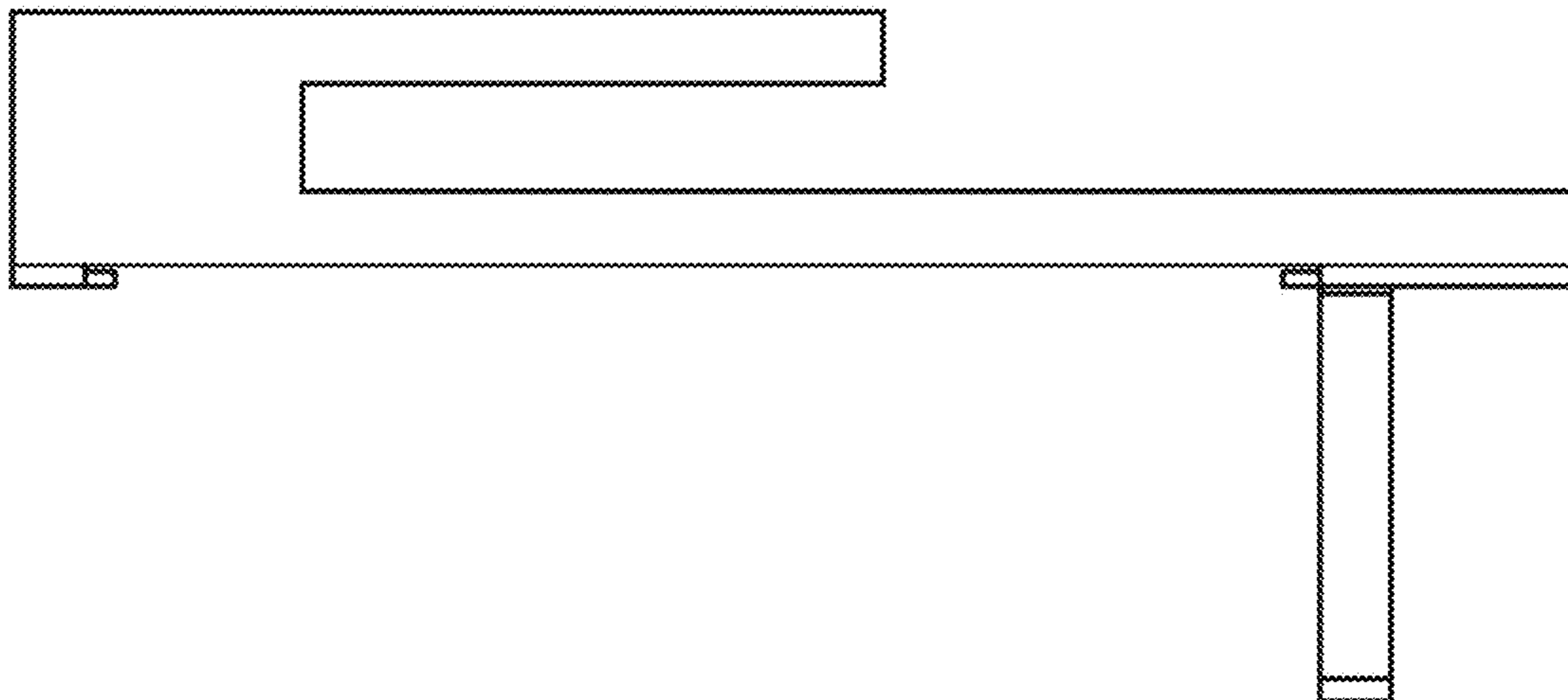


FIG. 2



FIG. 3

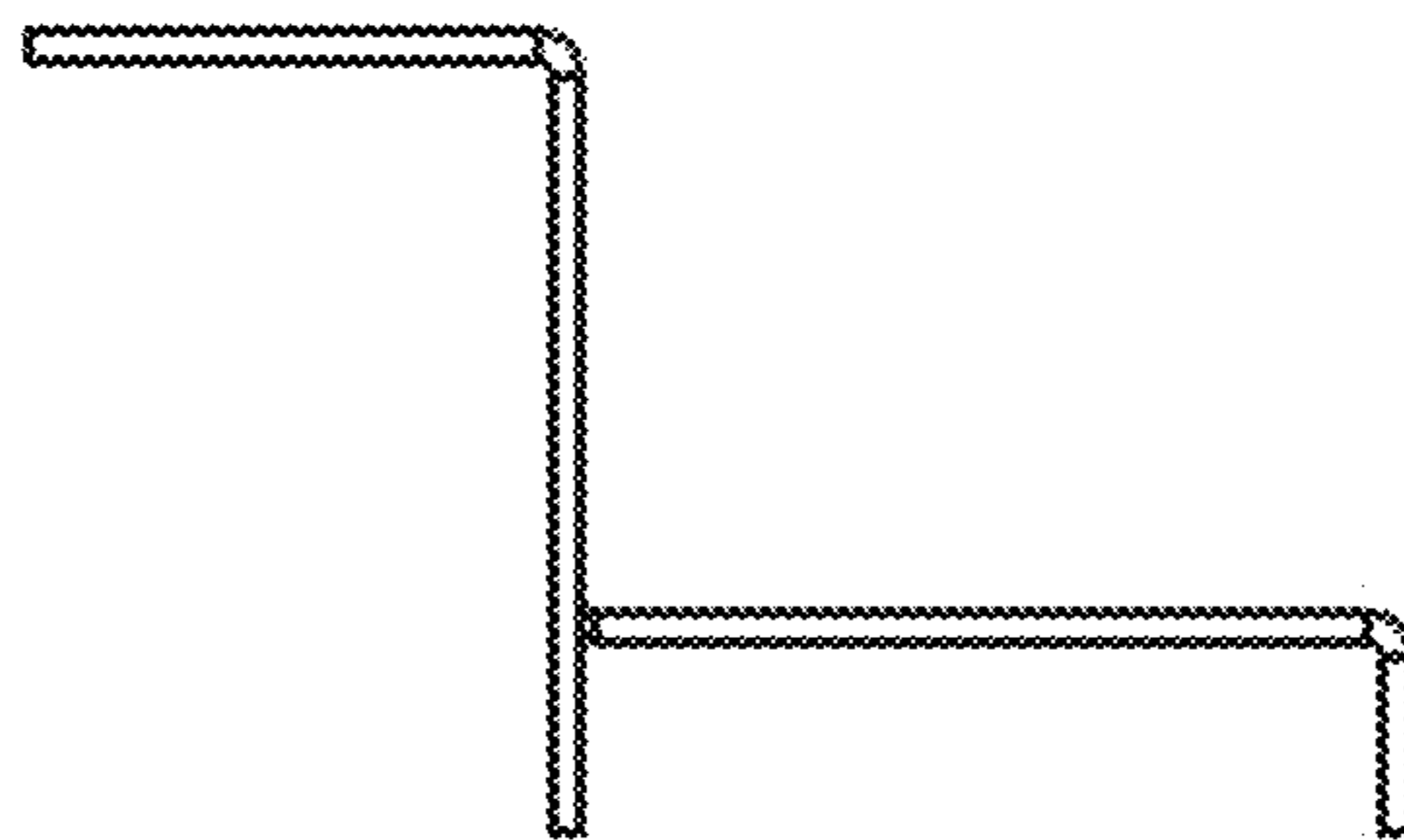


FIG. 4