



US00D807863S

(12) **United States Design Patent** (10) **Patent No.:** **US D807,863 S**  
**Ploetz et al.** (45) **Date of Patent:** **\*\* Jan. 16, 2018**

(54) **ANTENNA**  
(71) Applicant: **Kathrein-Werke KG**, Rosenheim (DE)  
(72) Inventors: **Andreas Ploetz**, Chieming (DE);  
**Stefan Weber**, Soechtenau (DE)  
(73) Assignee: **KATHREIN-WERKE KG**, Rosenheim  
(DE)  
(\*\*) Term: **15 Years**

D780,727 S \* 3/2017 Wang ..... D14/223  
D784,307 S \* 4/2017 Yoon ..... D14/240  
D790,514 S \* 6/2017 Woodward ..... D10/65  
D794,635 S \* 8/2017 Nimre ..... D14/230

**FOREIGN PATENT DOCUMENTS**

DE 102 33 394 2/2004  
EM 0 740 361 10/1996  
EM 1 601 046 11/2005  
ES 2300087 6/2008

**OTHER PUBLICATIONS**

Office Action issued on Apr. 10, 2017 in corresponding German Application No. 10 2016 108 188.4, 3 pages.

\* cited by examiner

*Primary Examiner* — John Windmuller  
*Assistant Examiner* — Benjamin Weeks  
(74) *Attorney, Agent, or Firm* — Nixon & Vanderhye, P.C.

(21) Appl. No.: **29/582,618**  
(22) Filed: **Oct. 28, 2016**  
(30) **Foreign Application Priority Data**  
May 3, 2016 (EM) ..... 003108257-0001  
May 3, 2016 (EM) ..... 003108257-0002  
May 3, 2016 (EM) ..... 003108257-0003  
(51) **LOC (11) Cl.** ..... **14-03**  
(52) **U.S. Cl.**  
USPC ..... **D14/230**  
(58) **Field of Classification Search**  
USPC ..... D12/42, 43; D14/138, 230-238.1, 240,  
D14/299, 358  
CPC ..... H01L 33/48; H01L 23/02; H01Q 7/00;  
H01Q 13/10  
See application file for complete search history.

(57) **CLAIM**

The ornamental design for an antenna, as shown and described.

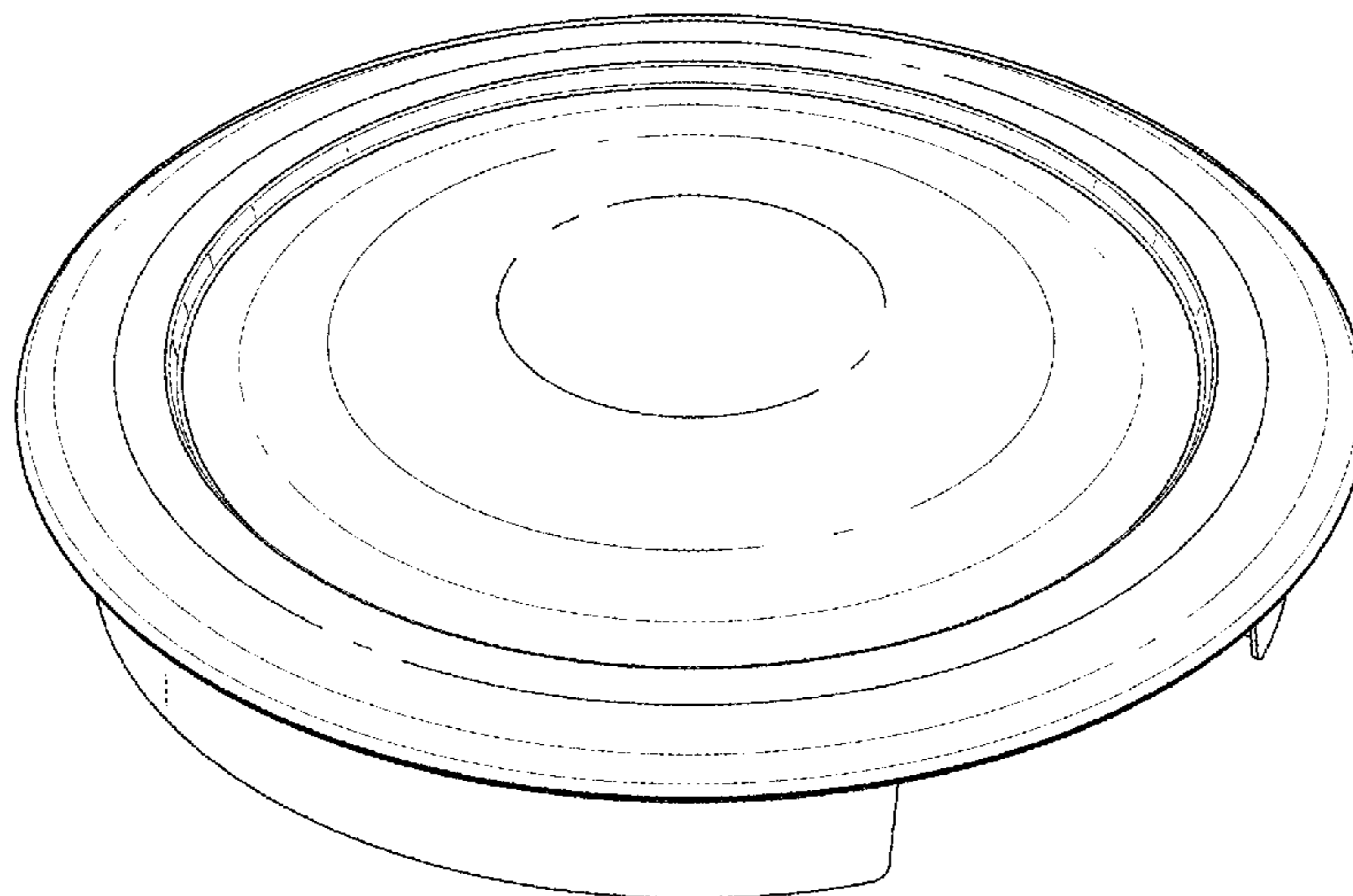
**DESCRIPTION**

FIG. 1 is a first perspective view of an antenna of our design;  
FIG. 2 is a front elevation view thereof;  
FIG. 3 is a rear elevation view thereof;  
FIG. 4 is a left side view thereof;  
FIG. 5 is a right side view thereof;  
FIG. 6 is a top plan view thereof;  
FIG. 7 is a bottom plan view thereof; and,  
FIG. 8 is a second perspective view thereof.

**1 Claim, 6 Drawing Sheets**

(56) **References Cited**  
U.S. PATENT DOCUMENTS

D512,417 S \* 12/2005 Hirakawa ..... D14/223  
D543,975 S \* 6/2007 McCown ..... D14/230  
D566,095 S \* 4/2008 Davis ..... D14/138 AB  
D698,765 S \* 2/2014 Bremaud ..... D14/231  
D732,512 S \* 6/2015 Fariello ..... D14/230  
D743,954 S \* 11/2015 Chuang ..... D13/168  
D770,430 S \* 11/2016 Lee ..... D14/240  
D772,850 S \* 11/2016 Safstrom ..... D14/233



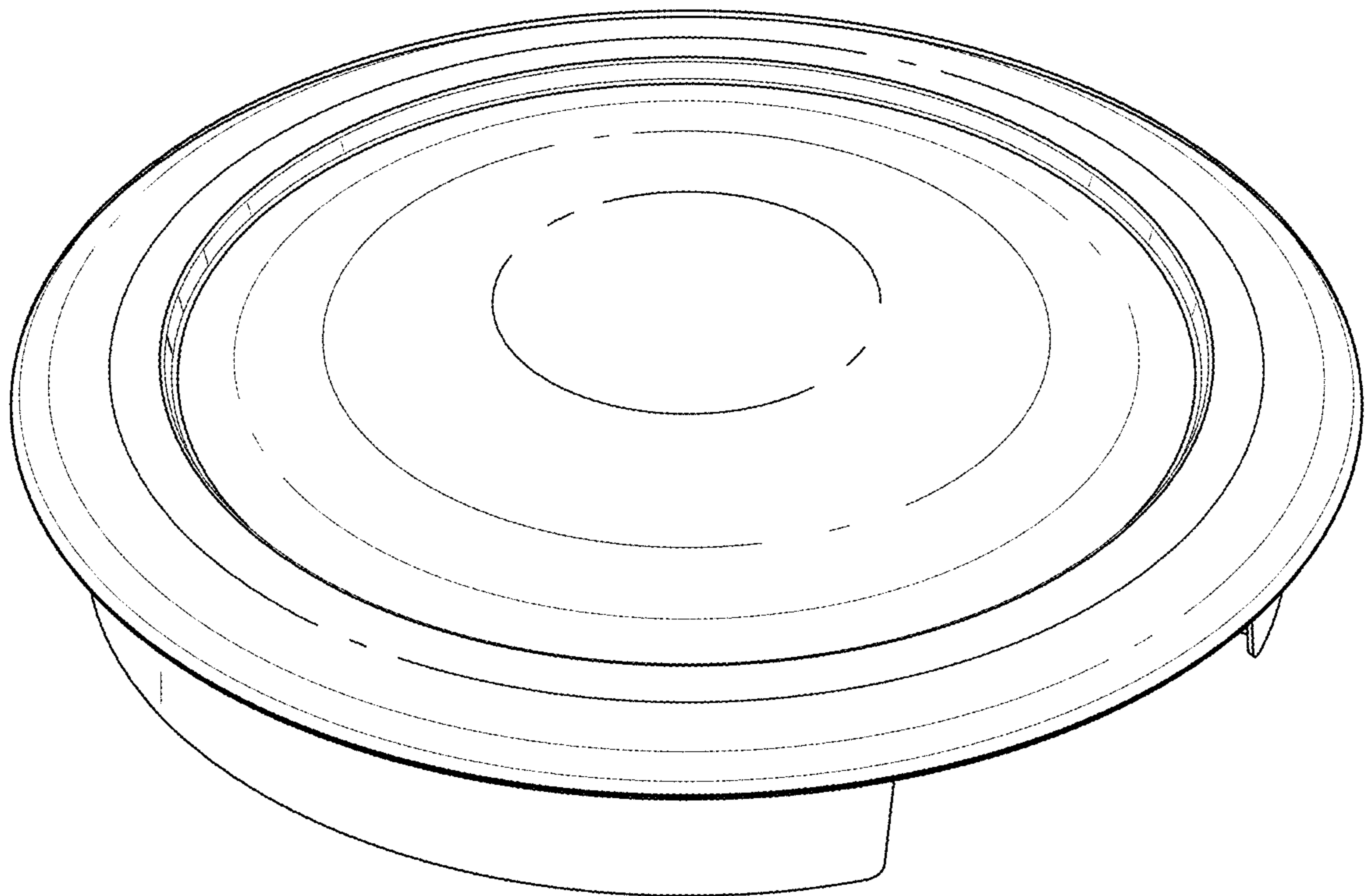


Fig. 1

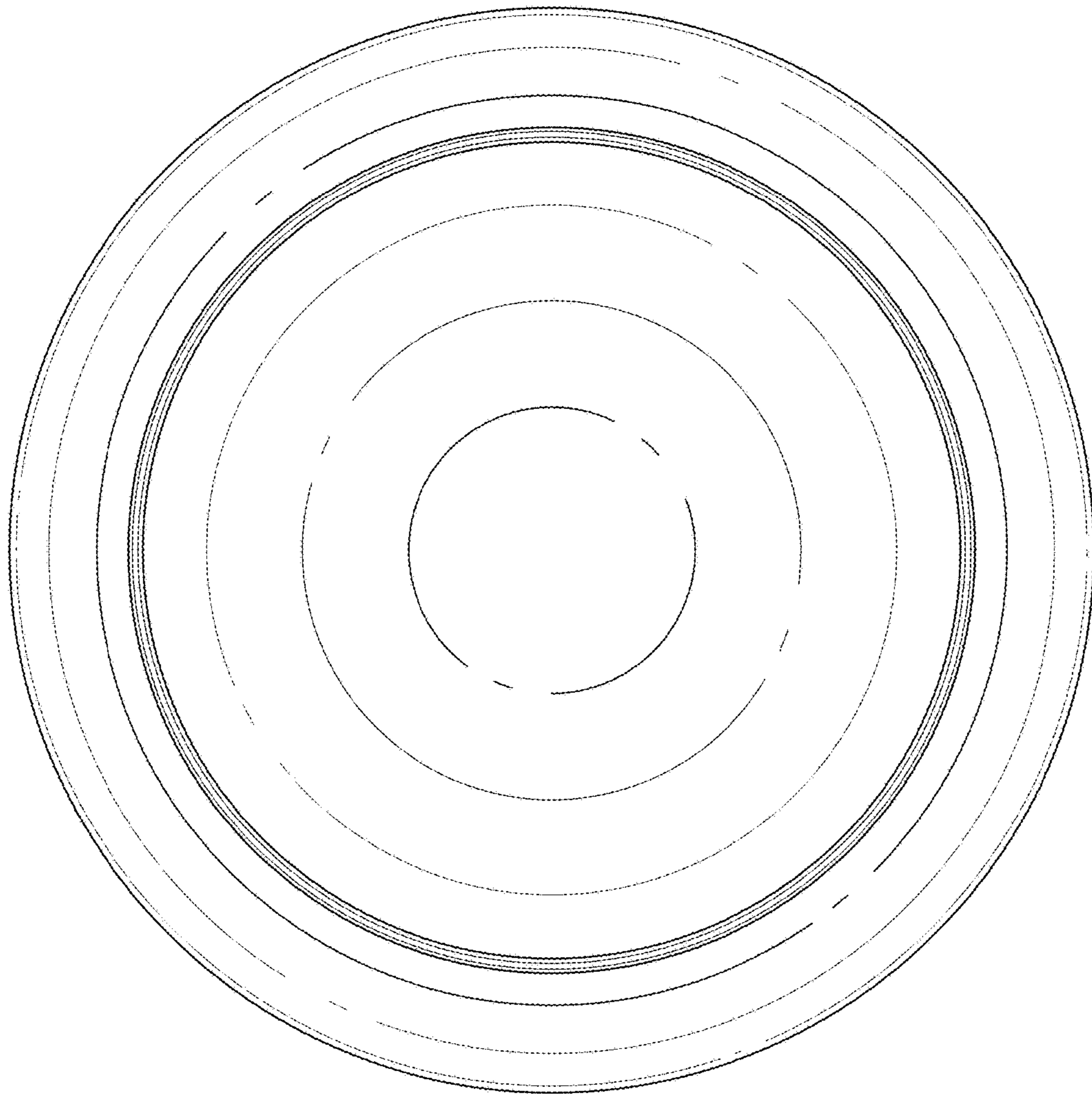


Fig. 2

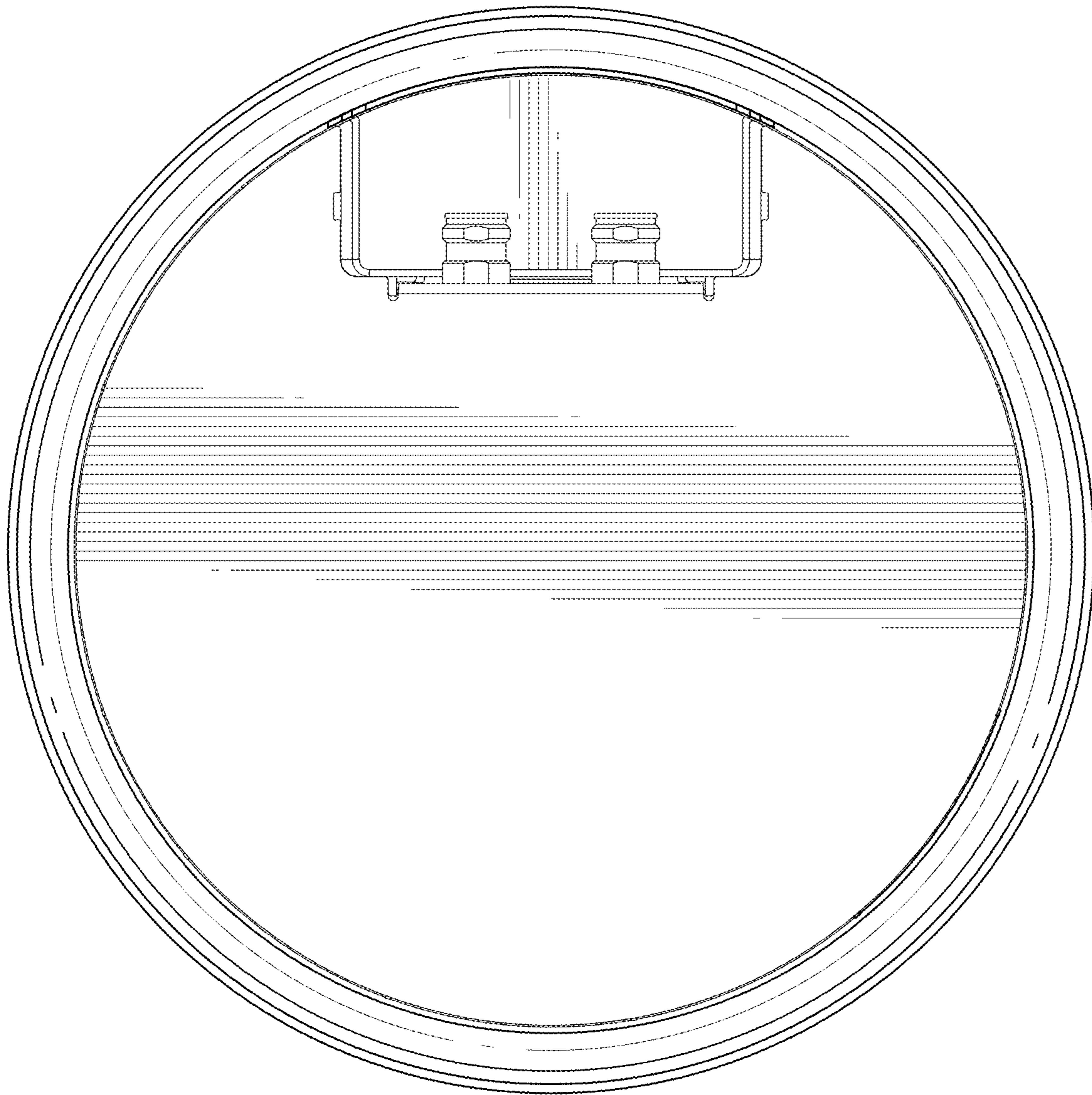


Fig. 3

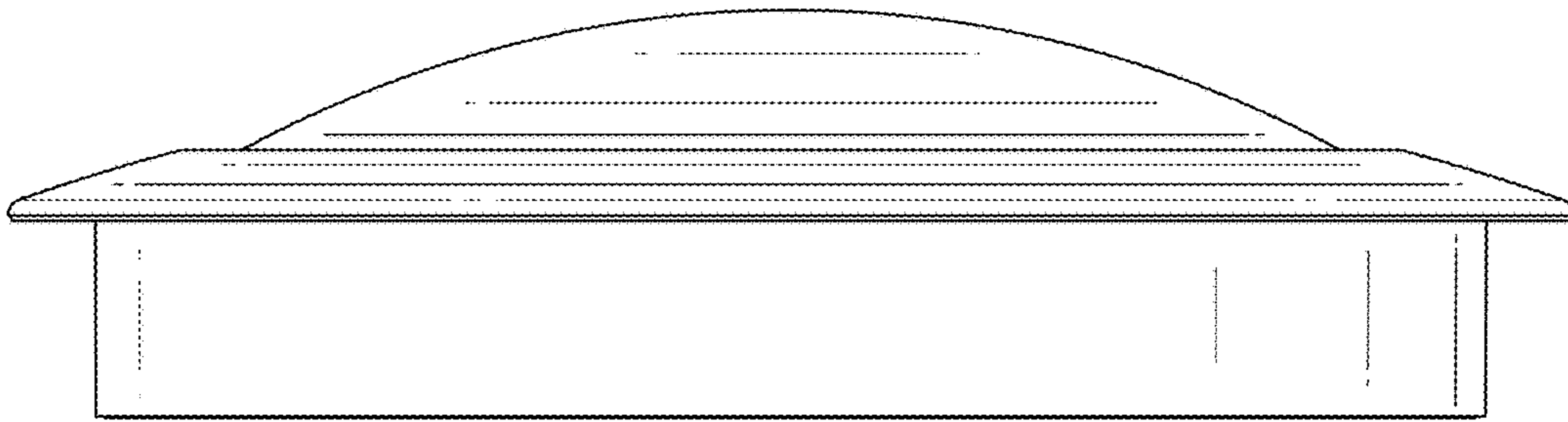


Fig. 4

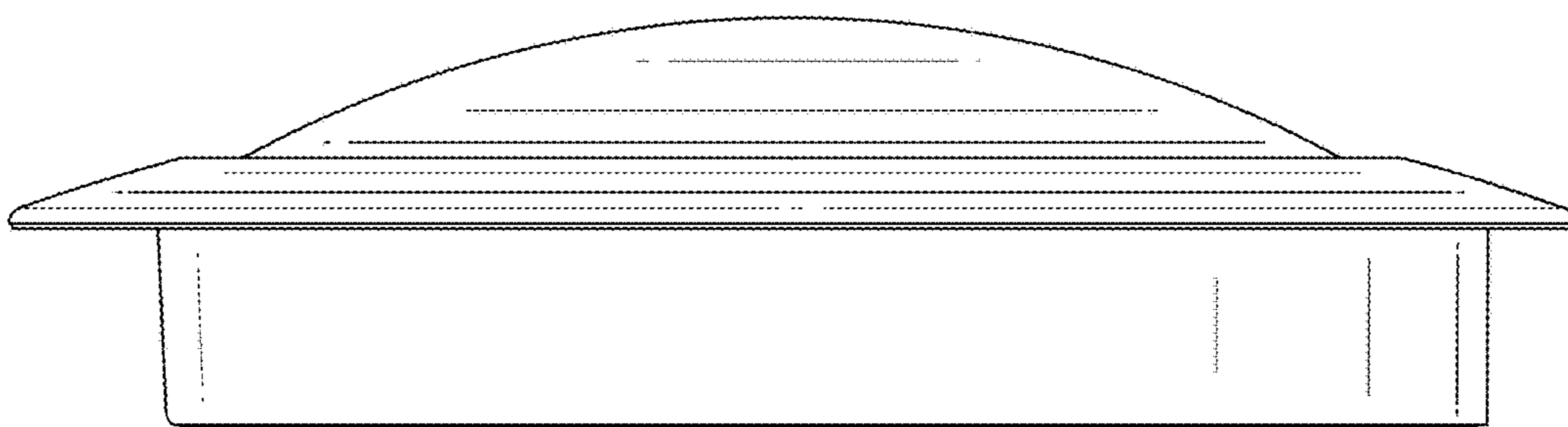


Fig. 5

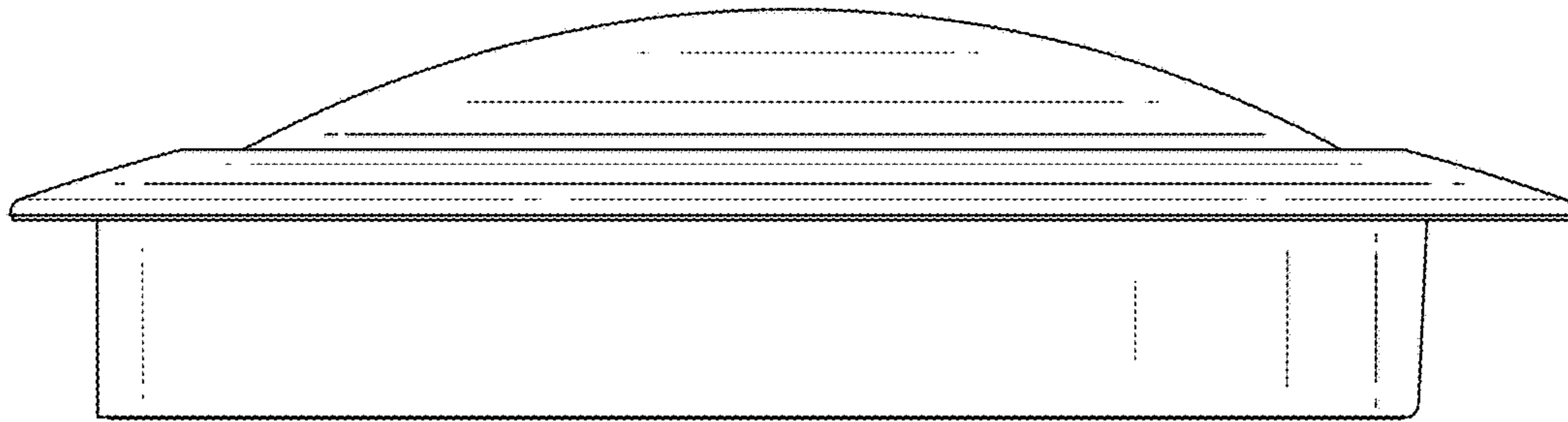


Fig. 6

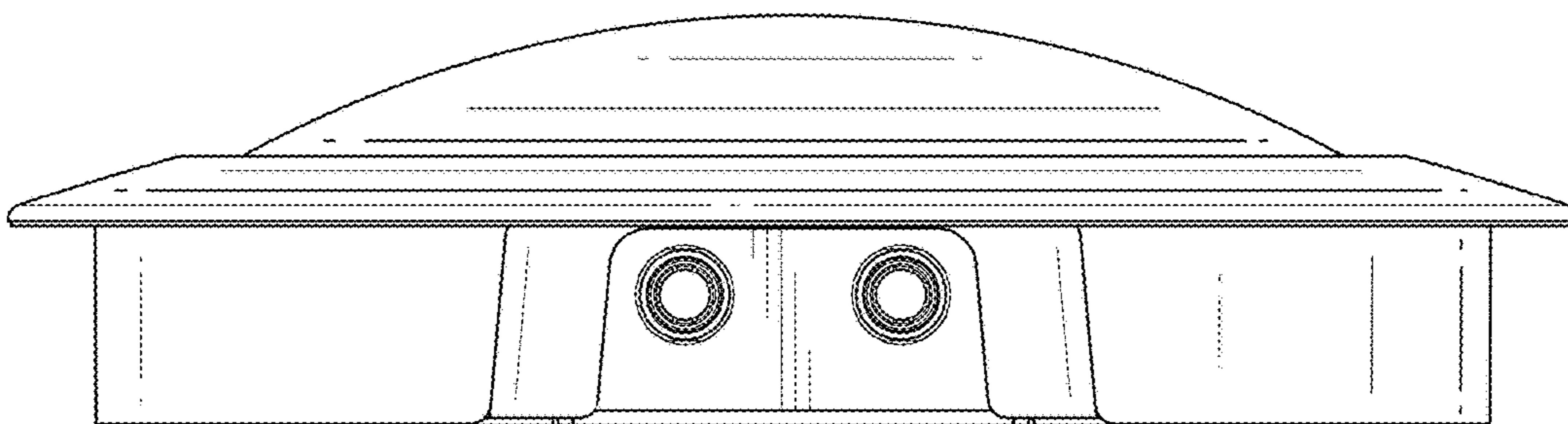


Fig. 7

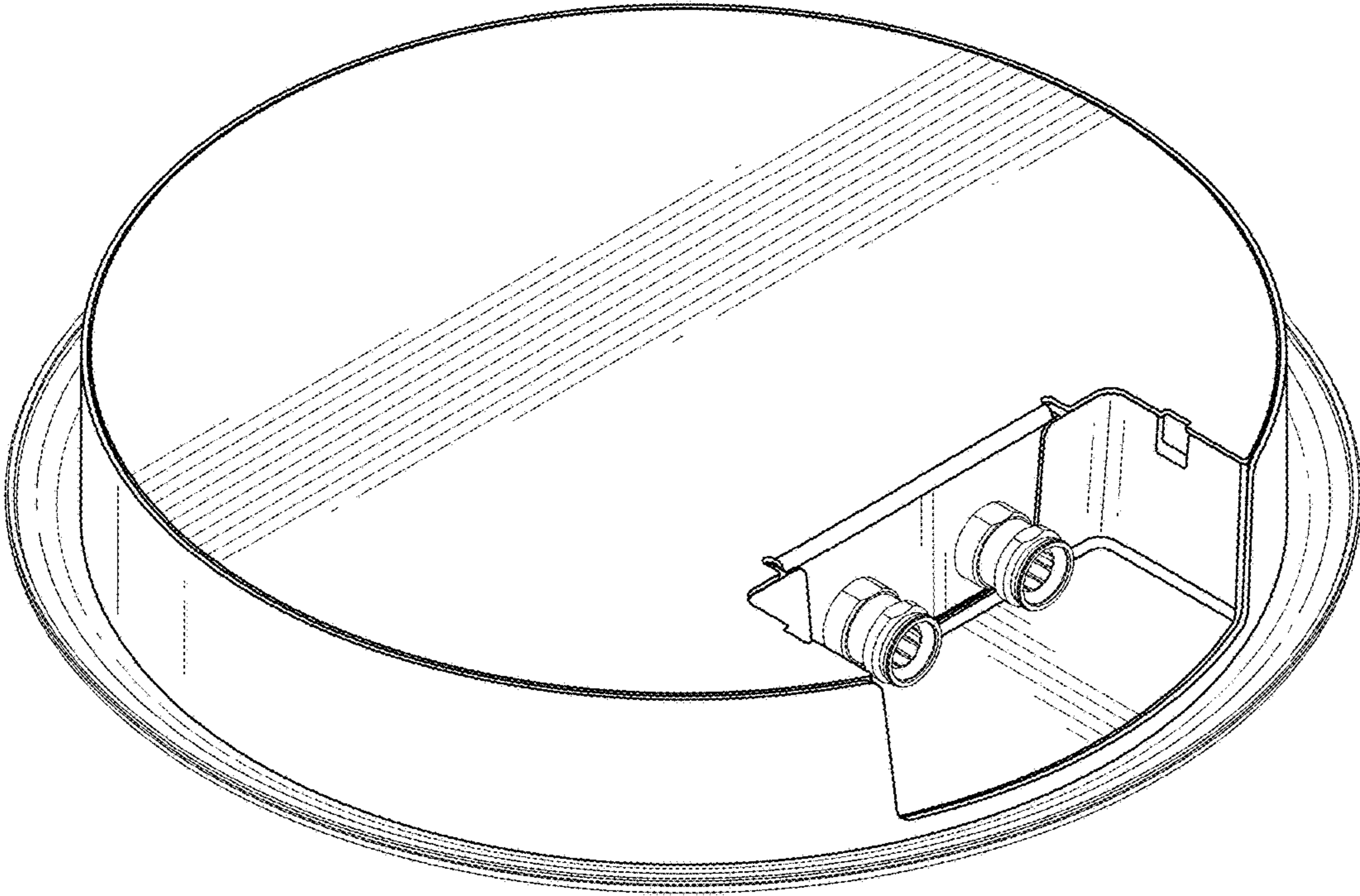


Fig. 8