



US00D807862S

(12) **United States Design Patent**
Takami et al.

(10) **Patent No.:** **US D807,862 S**
(45) **Date of Patent:** **** Jan. 16, 2018**

- (54) **SOUND TO VIBRATION CONVERTER**
- (71) Applicant: **FUJITSU LIMITED**, Kawasaki-shi (JP)
- (72) Inventors: **Ippei Takami**, Meguro-ku (JP);
Tatsuya Honda, Oota-ku (JP)
- (73) Assignee: **FUJITSU LIMITED**, Kawasaki (JP)
- (**) Term: **15 Years**
- (21) Appl. No.: **29/584,138**
- (22) Filed: **Nov. 11, 2016**
- (30) **Foreign Application Priority Data**
May 12, 2016 (JP) 2016-010126
- (51) **LOC (11) Cl.** **14-01**
- (52) **U.S. Cl.**
USPC **D14/223**; D14/205
- (58) **Field of Classification Search**
USPC D14/223, 205; D24/174; 181/129, 130,
181/135; 379/430, 431; 381/380,
381/381.374, 72; 455/90.3, 575.1, 569.1
CPC H04R 1/10; H04R 25/00; H04R 1/1016;
H04R 1/1066; H05K 5/02
See application file for complete search history.

- (56) **References Cited**
U.S. PATENT DOCUMENTS
D223,097 S * 3/1972 Krumin et al. D14/191
D280,896 S * 10/1985 Campbell D14/155
5,081,709 A * 1/1992 Benyo A45F 5/02
224/669
D326,655 S * 6/1992 Iribe D14/192
D344,800 S * 3/1994 Lamby D24/174
5,414,596 A * 5/1995 Eaton H01M 2/1005
361/814

- 5,748,454 A * 5/1998 Nichols A45F 5/02
24/3.11
- 6,188,881 B1 * 2/2001 Braxton H04B 1/385
340/7.55
- D450,337 S * 11/2001 Hamamura D13/168
- D455,405 S * 4/2002 Bonn D13/158
- 6,438,248 B1 * 8/2002 Kamimura H04M 1/05
381/374
- D517,052 S * 3/2006 Skulley D14/223
- 7,079,664 B2 * 7/2006 Nassimi H04R 25/558
381/328
- D538,271 S * 3/2007 Kim D14/223
- D555,151 S * 11/2007 Eklund D14/223
- D558,740 S * 1/2008 Jaakkola D14/223
- D566,695 S * 4/2008 Rath D14/223
- D567,216 S * 4/2008 Densho D14/205
- D587,682 S * 3/2009 Miles D14/205
- D590,371 S * 4/2009 Leinvuo D14/205
- D603,378 S * 11/2009 Paradise D14/223
- D605,168 S * 12/2009 Jaakkola D14/205
- D608,767 S * 1/2010 Liner D14/205

(Continued)

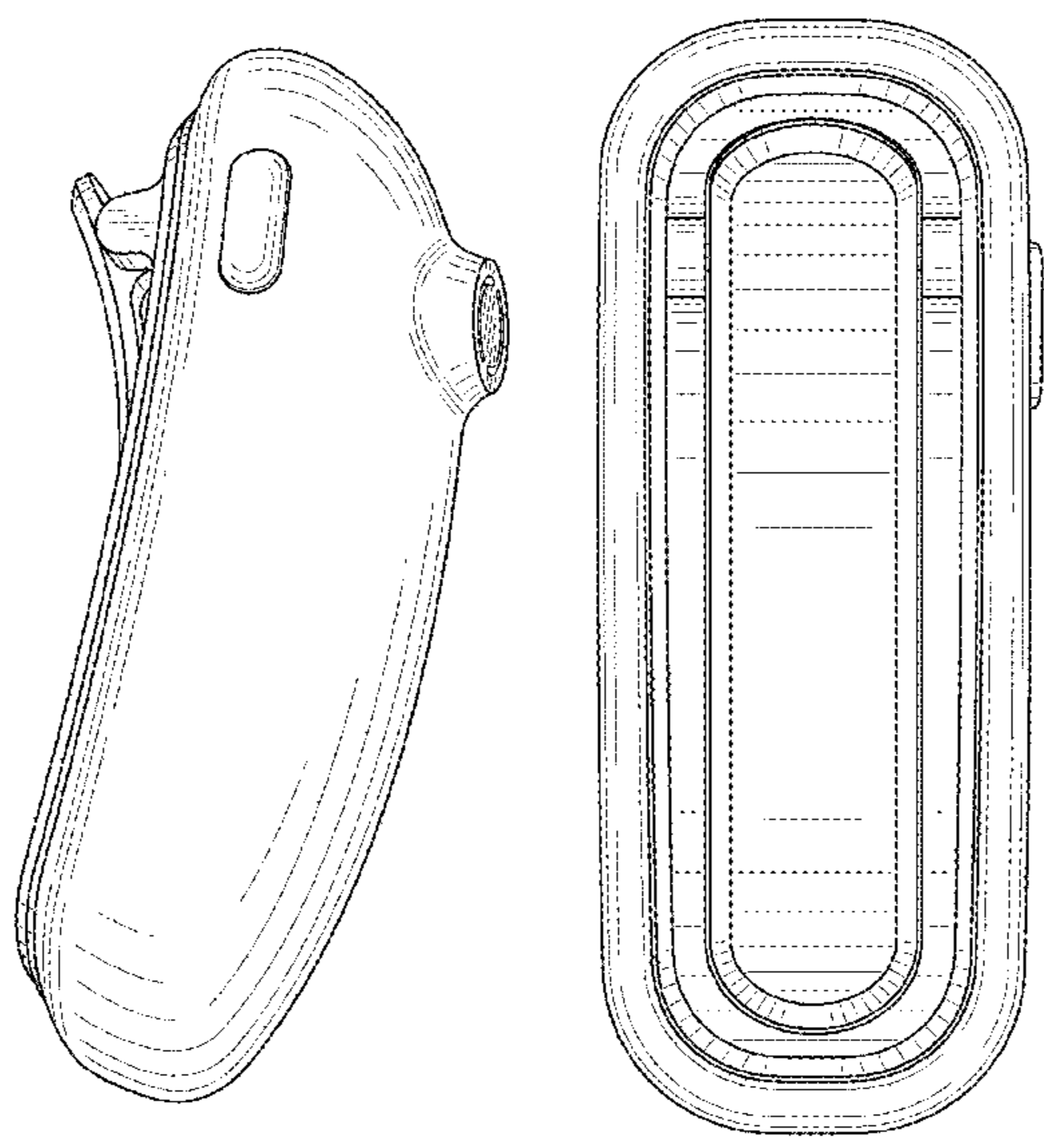
Primary Examiner — Paul Allen Greene
(74) *Attorney, Agent, or Firm* — Oblon, McClelland,
Maier & Neustadt, L.L.P.

(57) **CLAIM**
The ornamental design for a sound to vibration converter, as shown and described.

DESCRIPTION

FIG. 1 is a perspective view of front, bottom and left side of a sound to vibration converter showing our new design; FIG. 2 is a perspective view of front, top and right side thereof; FIG. 3 is a front view thereof; FIG. 4 is a rear view thereof; FIG. 5 is a left side view thereof; FIG. 6 is a right side view thereof; FIG. 7 is a top view thereof; and, FIG. 8 is a bottom view thereof.

1 Claim, 4 Drawing Sheets



(56)

References Cited

U.S. PATENT DOCUMENTS

D609,695	S	*	2/2010	Cigliano	D14/205
D611,935	S	*	3/2010	Wikel	D14/223
D613,273	S	*	4/2010	Liner	D14/223
D620,927	S	*	8/2010	Li	D14/223
D624,904	S	*	10/2010	Lim	D14/223
D635,125	S	*	3/2011	Nousiainen	D14/223
D636,381	S	*	4/2011	Liner	D14/223
D637,183	S	*	5/2011	March	D14/223
D637,184	S	*	5/2011	March	D14/223
D638,409	S	*	5/2011	Walter	D14/223
D641,739	S	*	7/2011	Huang	D14/223
D649,957	S	*	12/2011	Fahrendorff	D14/223
D657,781	S	*	4/2012	Yang	D14/223
D705,196	S	*	5/2014	Drambarean	H04R 25/00 D14/205
D705,197	S	*	5/2014	Drambarean	H04R 25/00 D14/223
D705,198	S	*	5/2014	Drambarean	H04R 25/00 D14/223
D735,169	S	*	7/2015	Shieh	D14/223
D738,864	S	*	9/2015	Lee	D14/223
D794,614	S	*	8/2017	Xu	D14/223
2008/0032737	A1	*	2/2008	Liu	H04M 1/72522 455/556.1

* cited by examiner

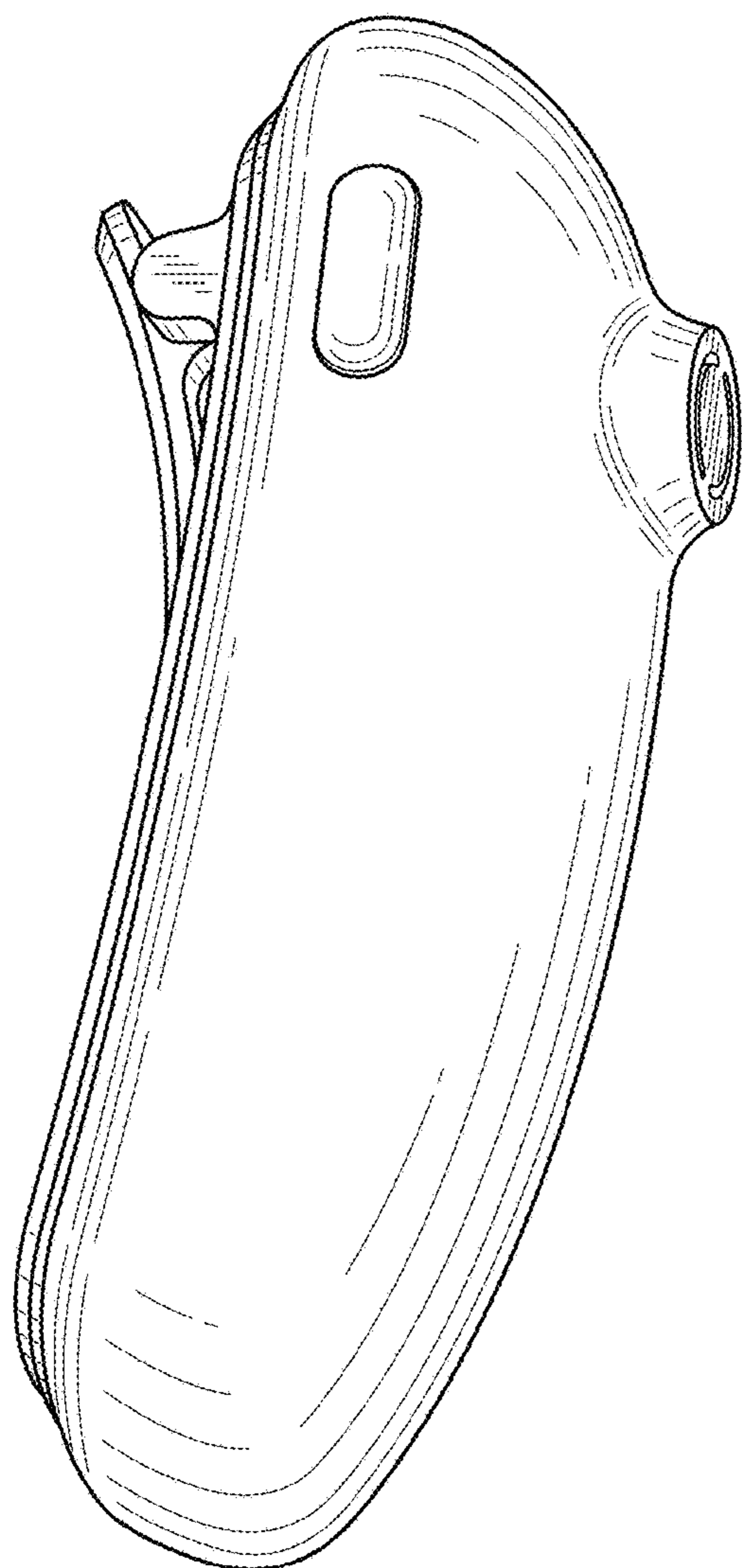


FIG. 1

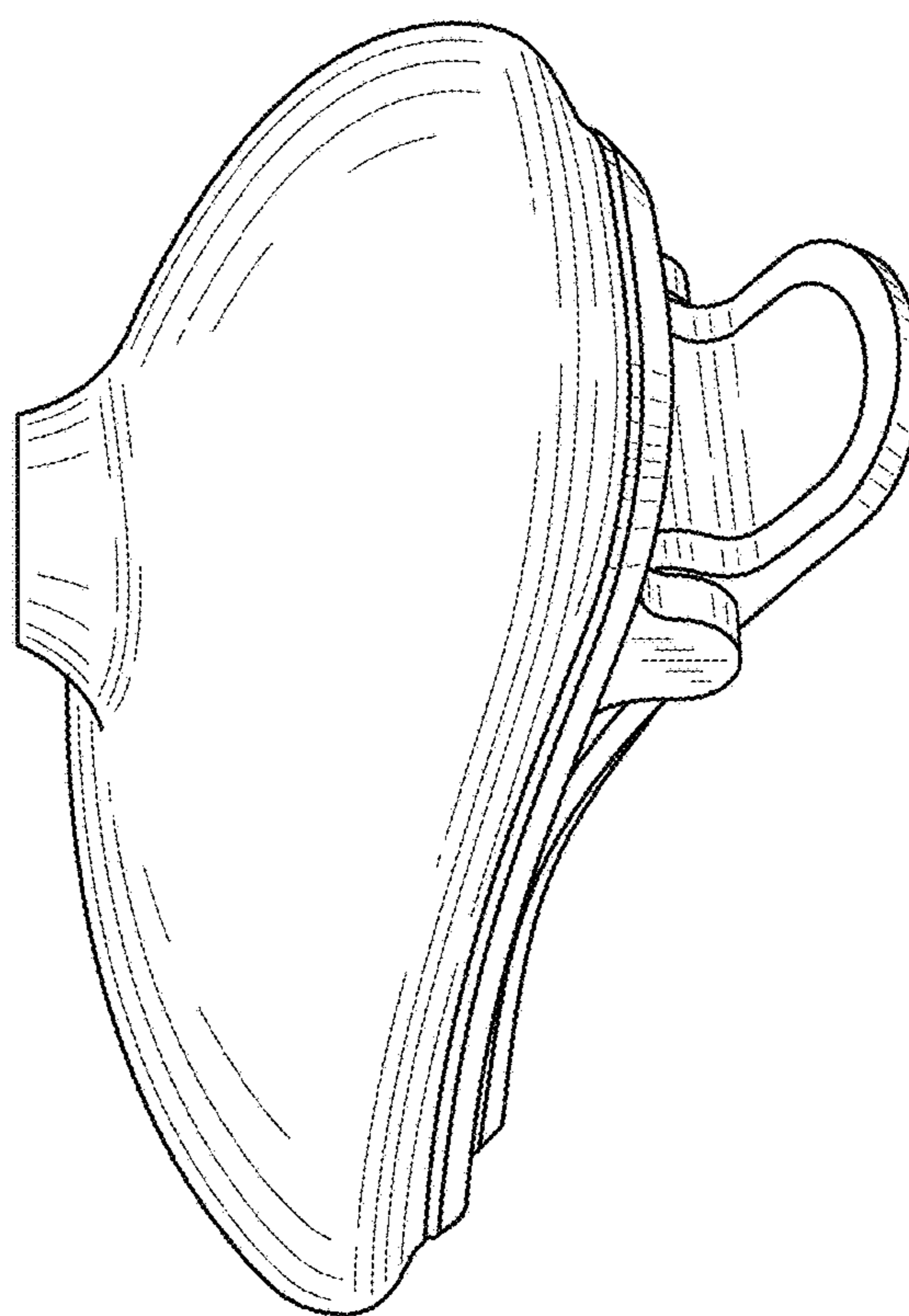


FIG. 2

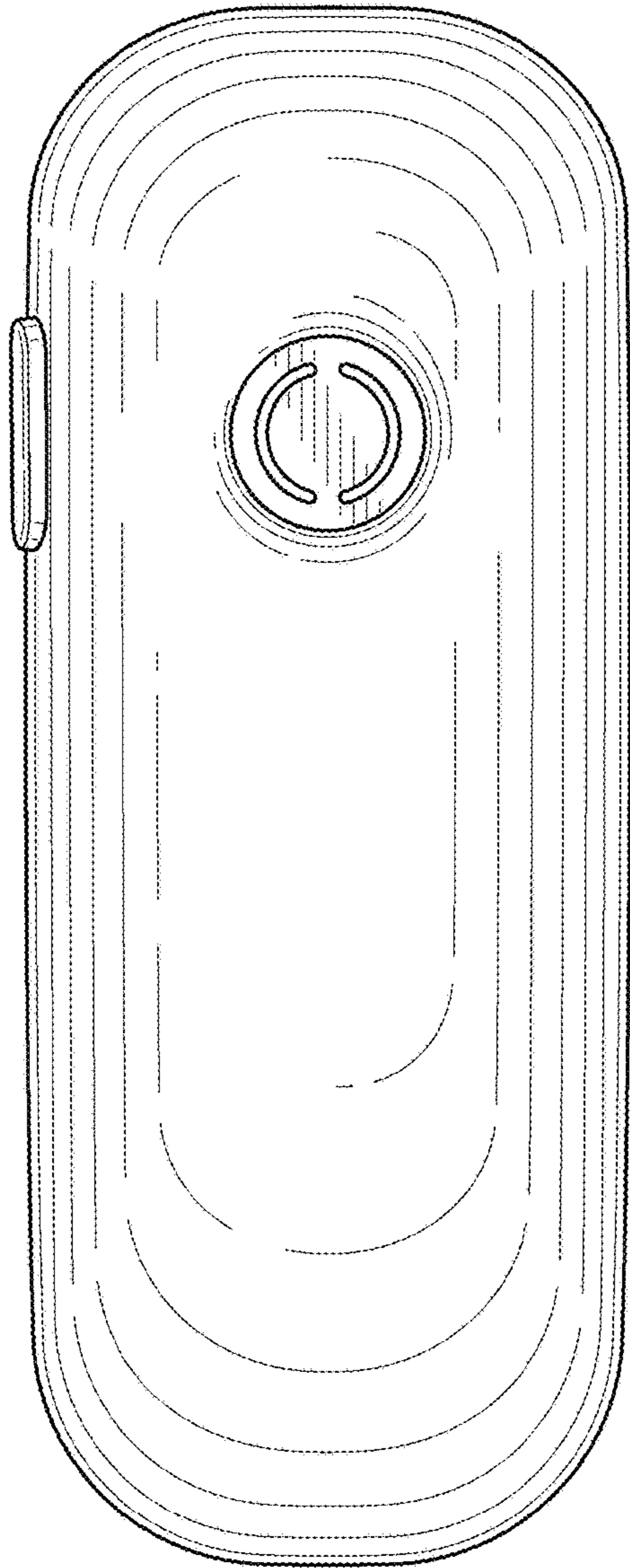


FIG. 3

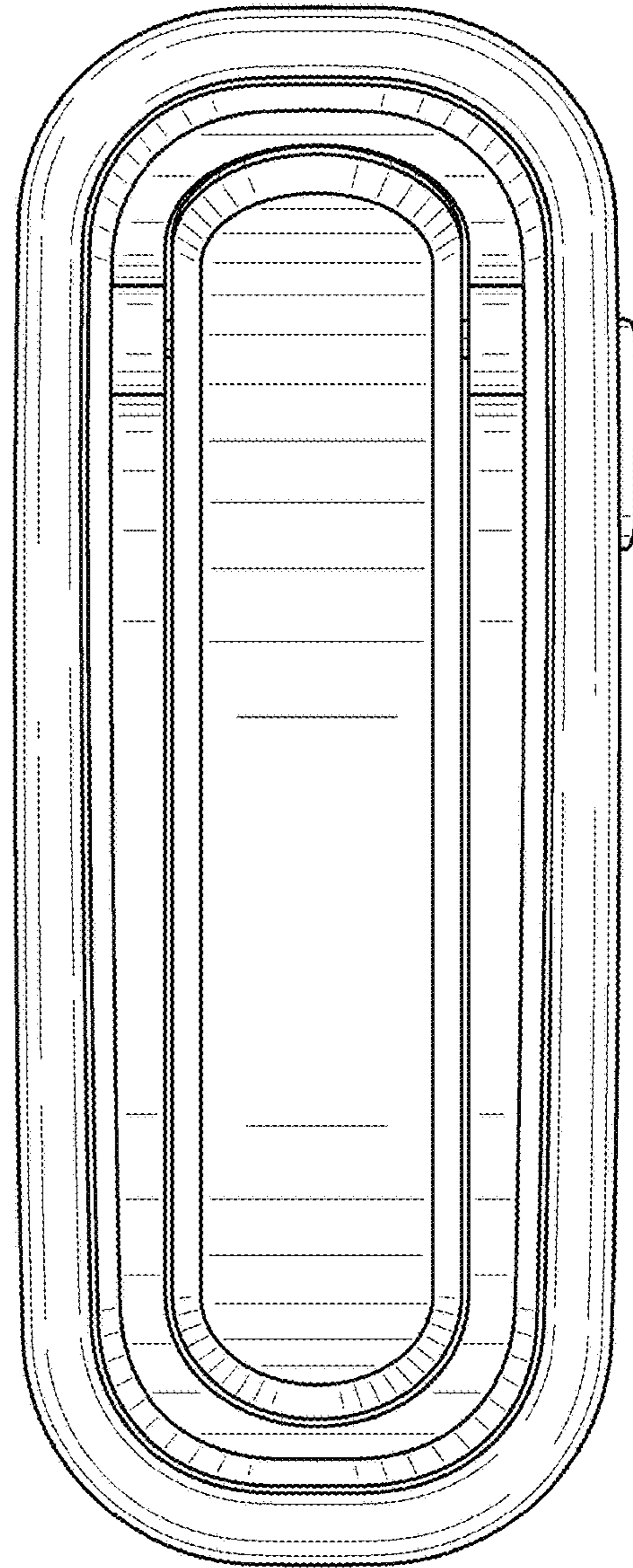


FIG. 4

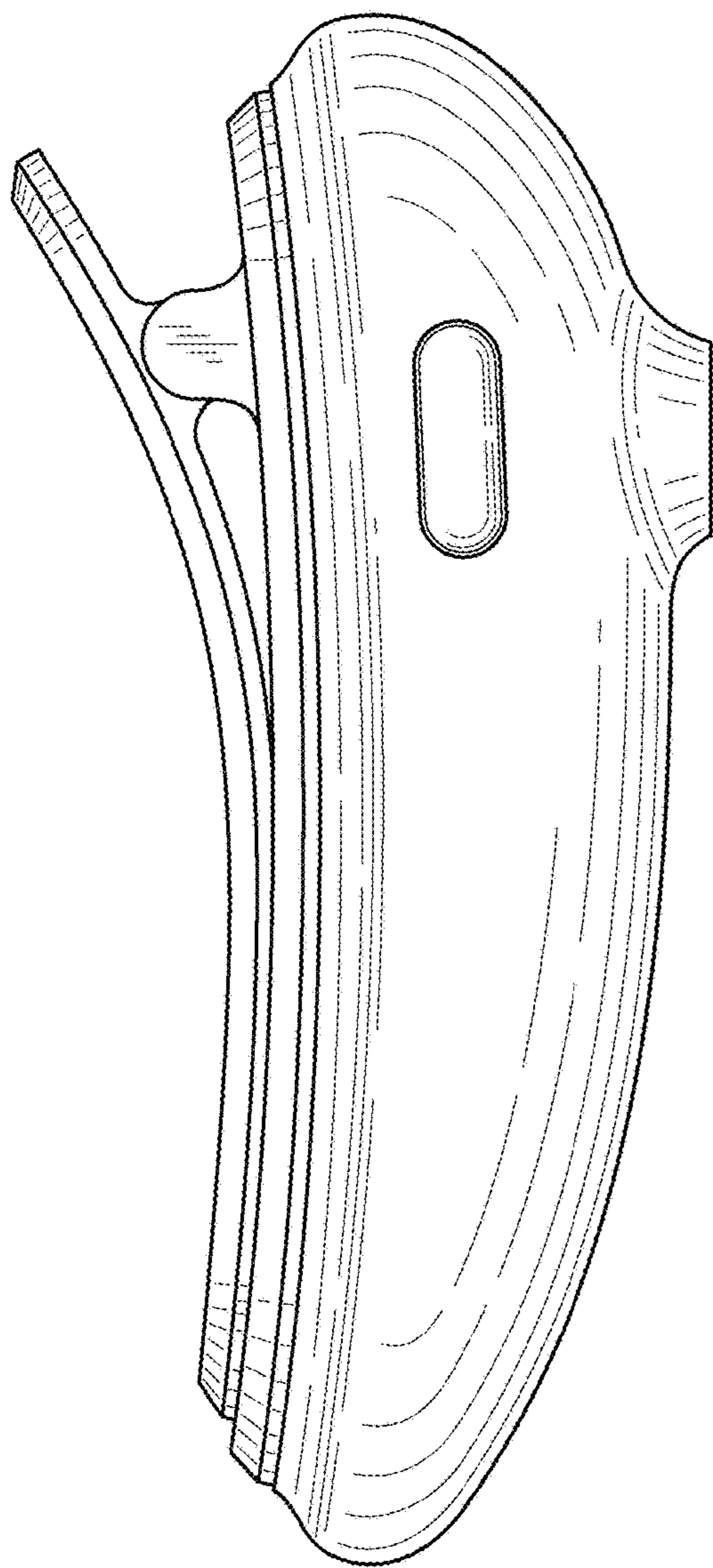


FIG. 5

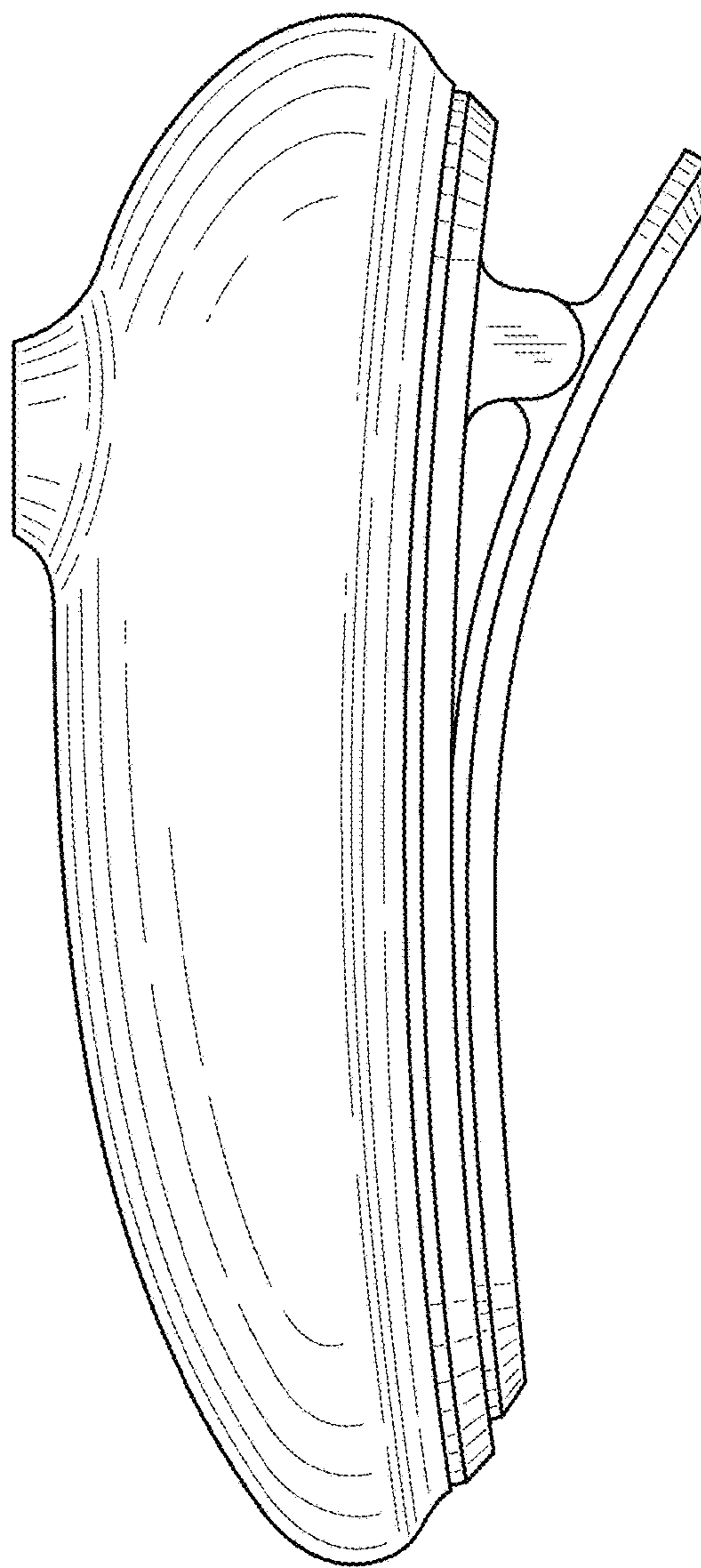


FIG. 6

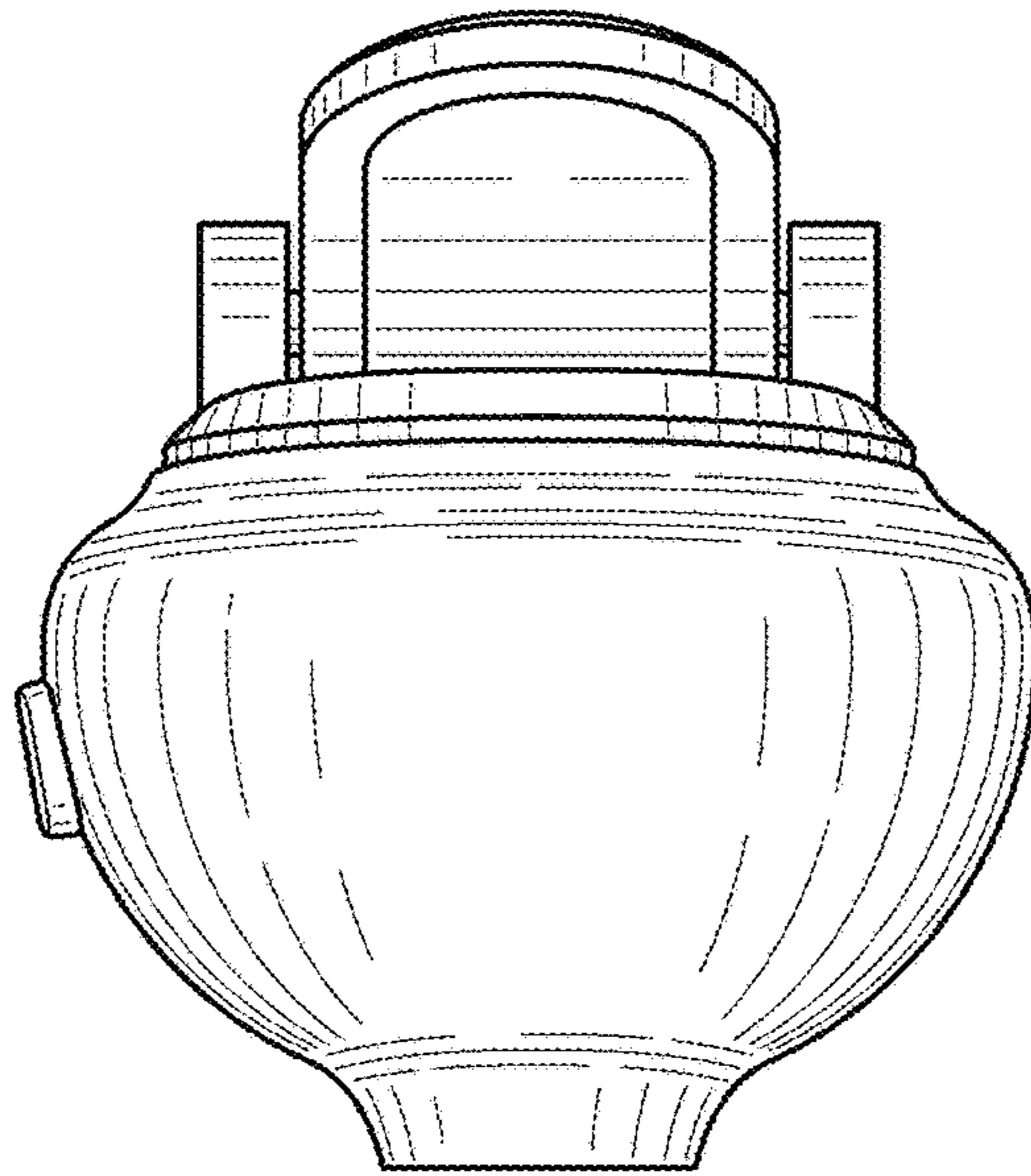


FIG. 7

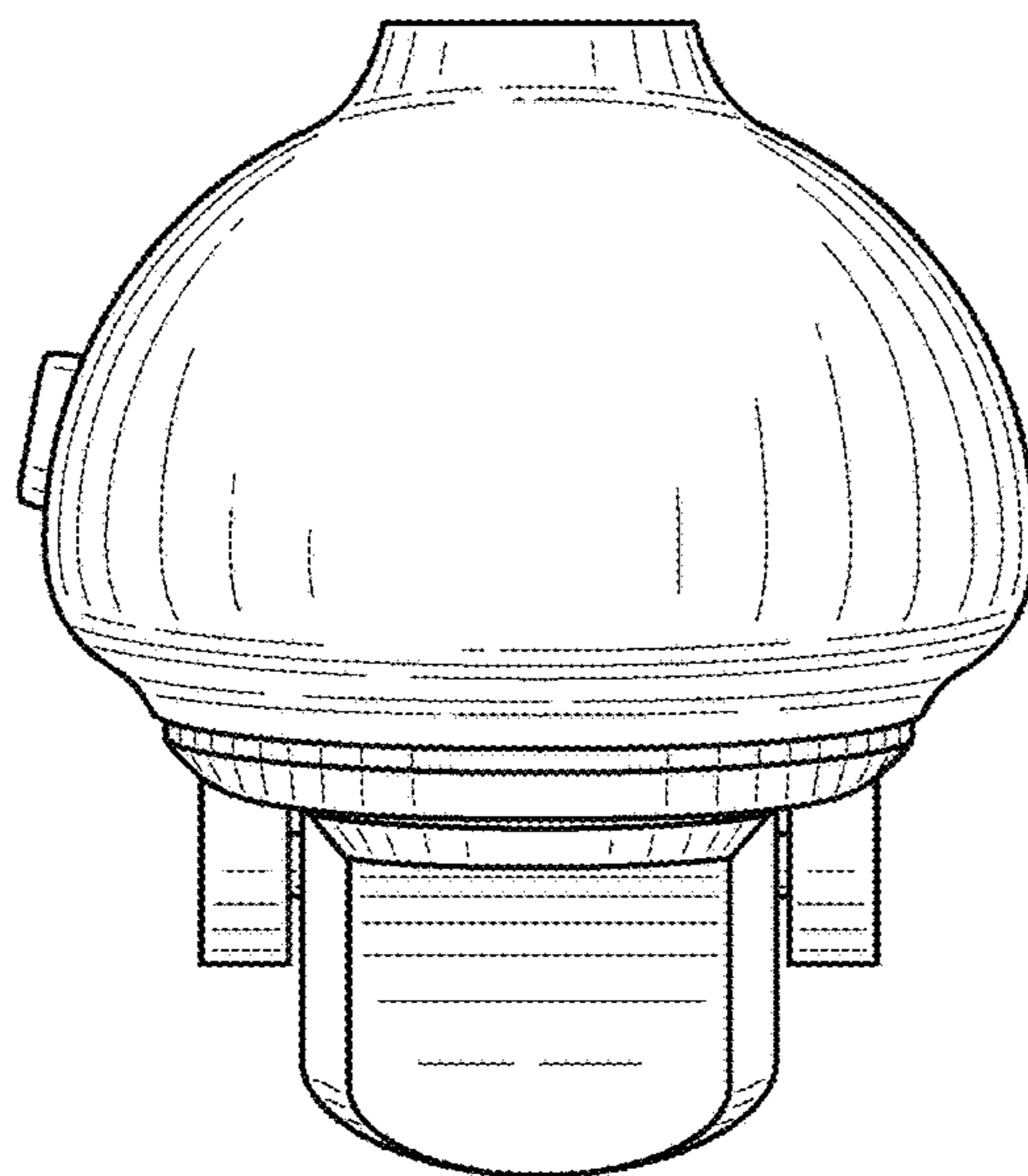


FIG. 8