



US00D807860S

(12) **United States Design Patent**
Tschetter et al.

(10) **Patent No.:** **US D807,860 S**
(45) **Date of Patent:** **** Jan. 16, 2018**

- (54) **MIXER**
- (71) Applicant: **QSC, LLC**, Costa Mesa, CA (US)
- (72) Inventors: **Gerald Tschetter**, Santa Ana, CA (US);
Greg C. Mackie, Kirkland, WA (US);
James A. Young, IV, Snohomish, WA (US);
Jon Graves, Rancho Santa Margarita, CA (US); **Chris Jubien**, Victoria (CA)
- (73) Assignee: **QSC, LLC**, Costa Mesa, CA (US)
- (**) Term: **15 Years**
- (21) Appl. No.: **29/597,660**
- (22) Filed: **Mar. 17, 2017**

1/383; G10H 2210/081; G10H 2210/095;
G10H 3/188; G10H 1/0033; G10H
1/0083; G10H 1/0575; G10H 1/06; G10H
1/18; G10H 1/386; G10H 2220/101
See application file for complete search history.

(56) **References Cited**

U.S. PATENT DOCUMENTS

D490,800 S *	6/2004	Kitazawa	D14/217
D555,639 S *	11/2007	Amiya	D14/217
D561,735 S *	2/2008	Nagura	D14/168
D715,267 S *	10/2014	Tschetter	D14/217
D743,942 S *	11/2015	Tschetter	D14/217
D769,226 S *	10/2016	Ito	D14/217
D772,200 S *	11/2016	Tschetter	D14/217
D783,001 S *	4/2017	Tschetter	D14/217

* cited by examiner

Primary Examiner — Ian Simmons
Assistant Examiner — Khawaja Anwar
 (74) *Attorney, Agent, or Firm* — Perkins Coie LLP

(57) **CLAIM**

We claim the ornamental design for a mixer, as shown and described.

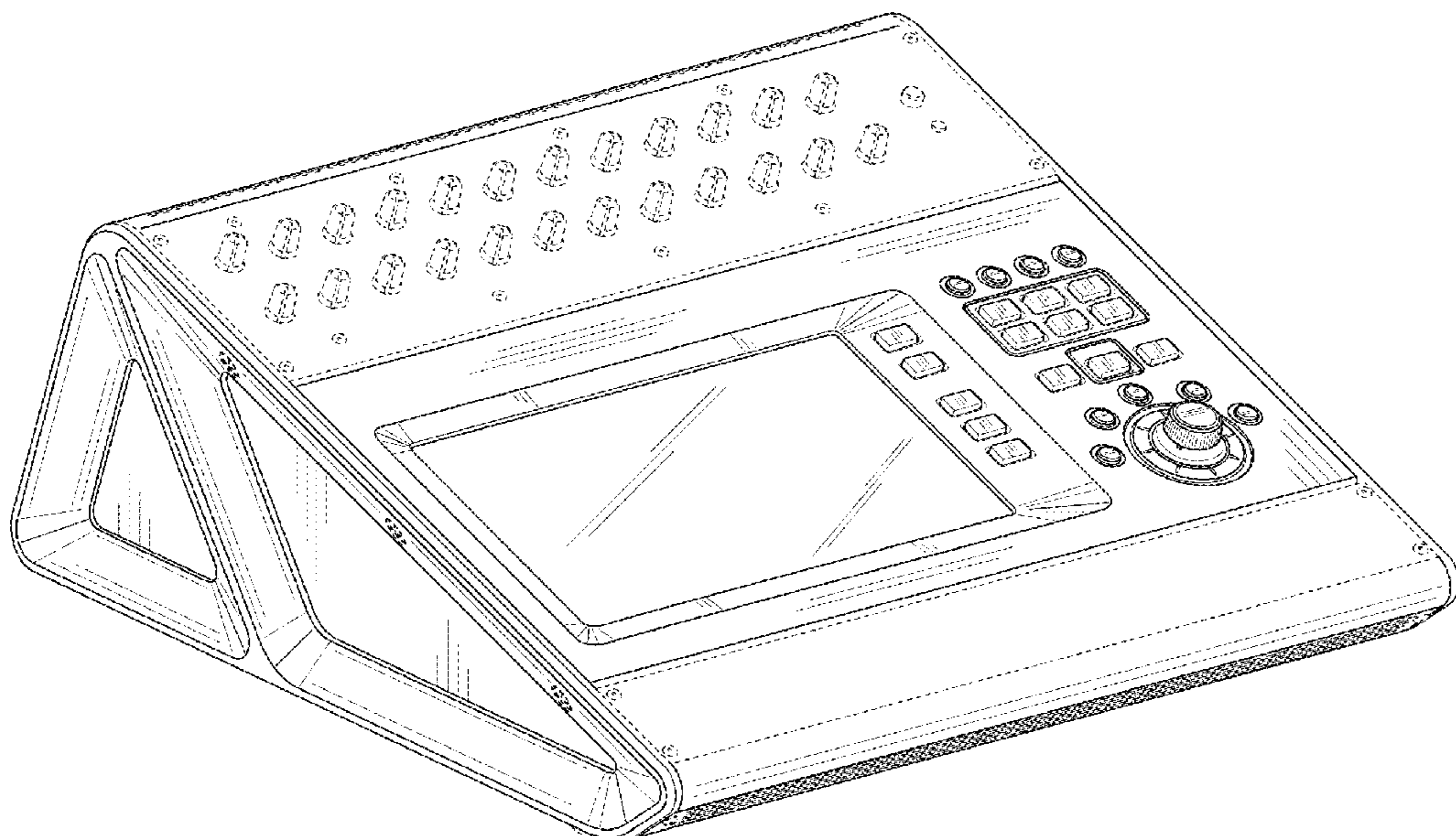
DESCRIPTION

FIG. 1 is a front perspective view of a mixer showing our new design;
 FIG. 2 is a front elevation view thereof;
 FIG. 3 is a back elevation view thereof;
 FIG. 4 is a top plan view thereof;
 FIG. 5 is a bottom plan view thereof;
 FIG. 6 is a left side elevation view thereof; and,
 FIG. 7 is a right side elevation view thereof.
 The broken lines shown are included for purposes of illustrating portions of the mixer that form no part of the claim.

1 Claim, 7 Drawing Sheets

Related U.S. Application Data

- (62) Division of application No. 29/551,802, filed on Jan. 15, 2016, now Pat. No. Des. 783,001.
- (51) **LOC (11) Cl.** **14-03**
- (52) **U.S. Cl.**
USPC **D14/217**
- (58) **Field of Classification Search**
USPC D14/217, 257, 258, 434, 496, 162, 167,
D14/175, 188, 196-198
CPC G10H 1/0066; G10H 1/0008; G10H
2220/106; G10H 1/32; G10H 2220/096;
G10H 2230/015; G10H 1/38; G10H
1/0091; G10H 2210/125; G10H 1/34;
G10H 1/348; G10H 1/02; G10H 1/46;
G10H 1/0025; G10H 2210/066; G10H
2220/201; G10H 2220/241; G10H
2240/211; G10H 7/008; G10H 7/02;
G10H 1/0058; G10H 2230/021; G10H
3/146; G10H 7/00; G10H 1/00; G10H
1/28; G10H 1/342; G10H 1/36; G10H



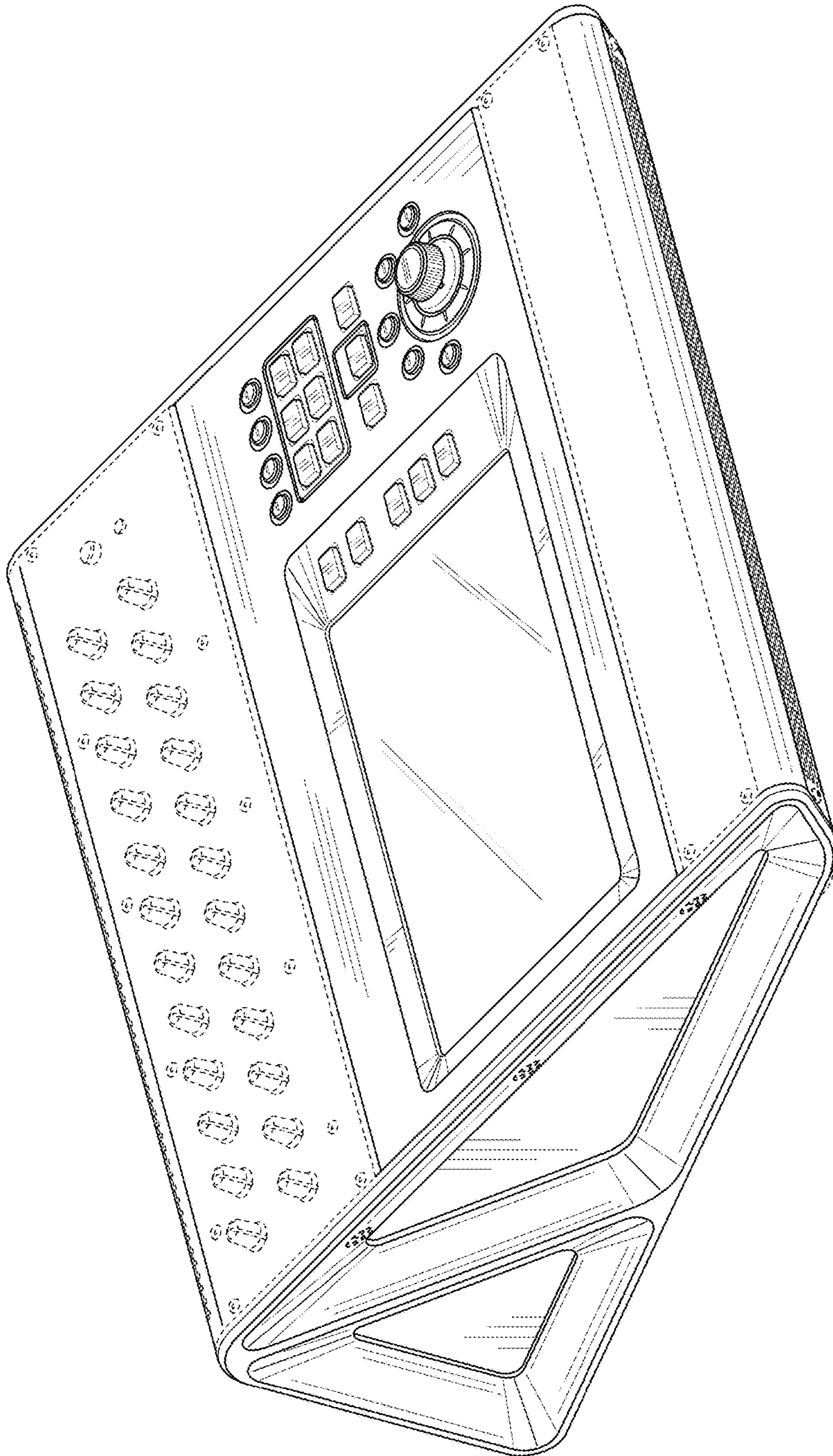


Fig. 1

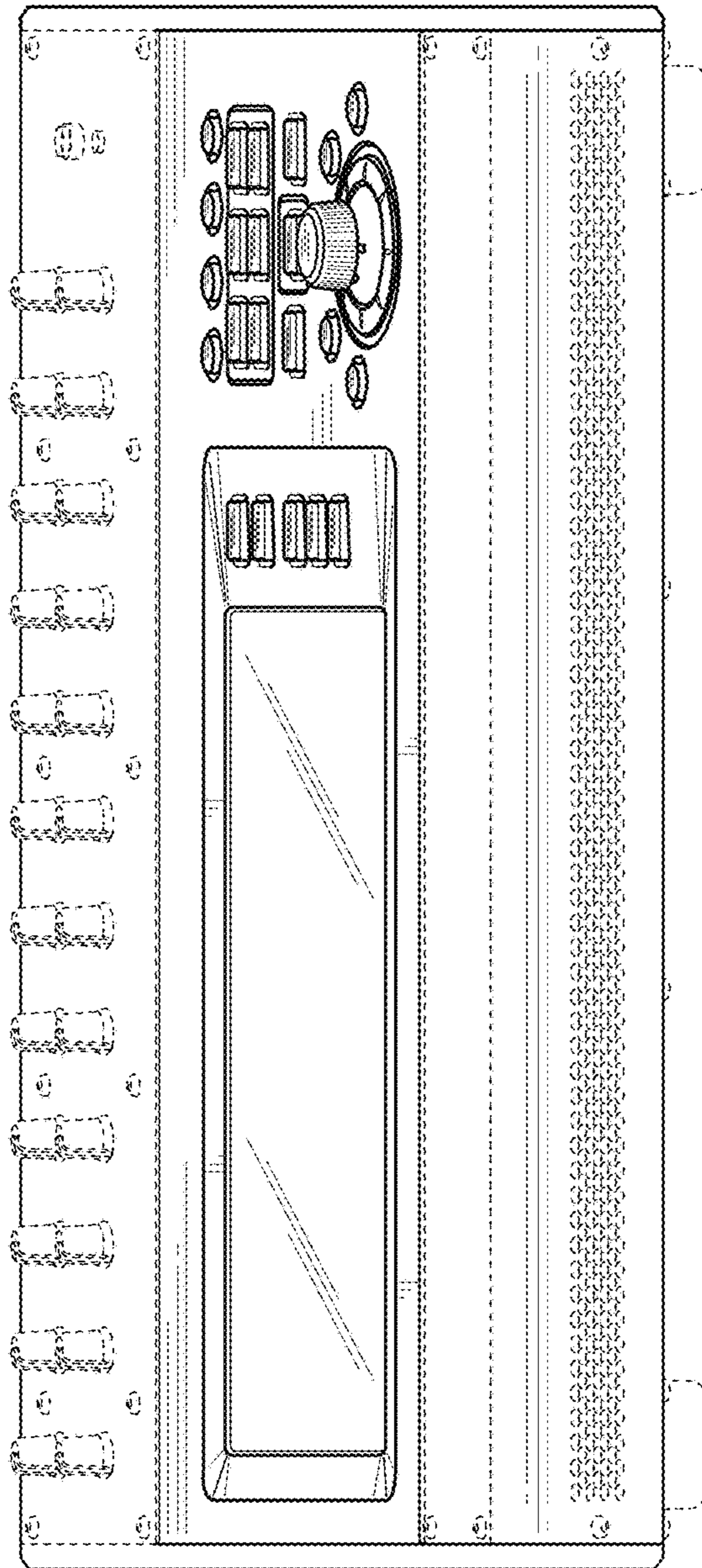


Fig. 2

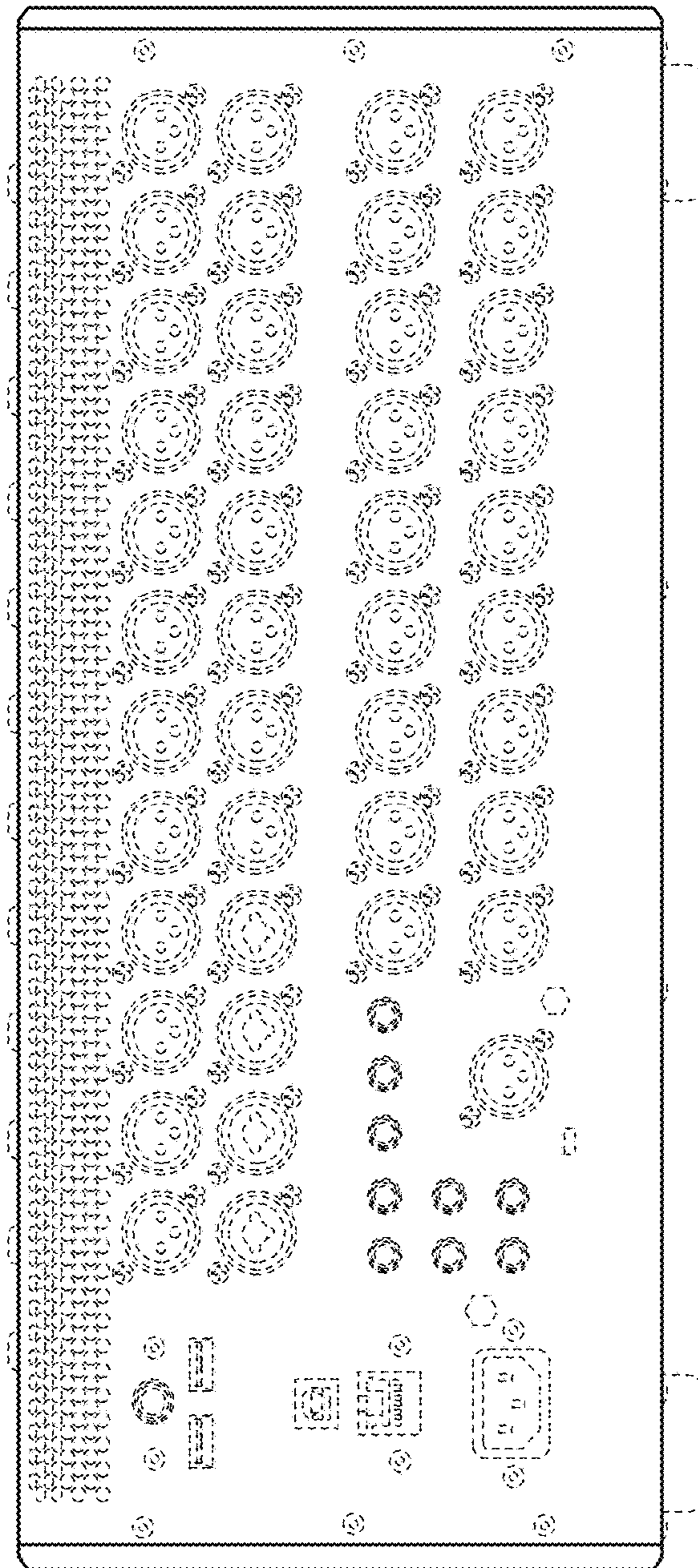


FIG. 3

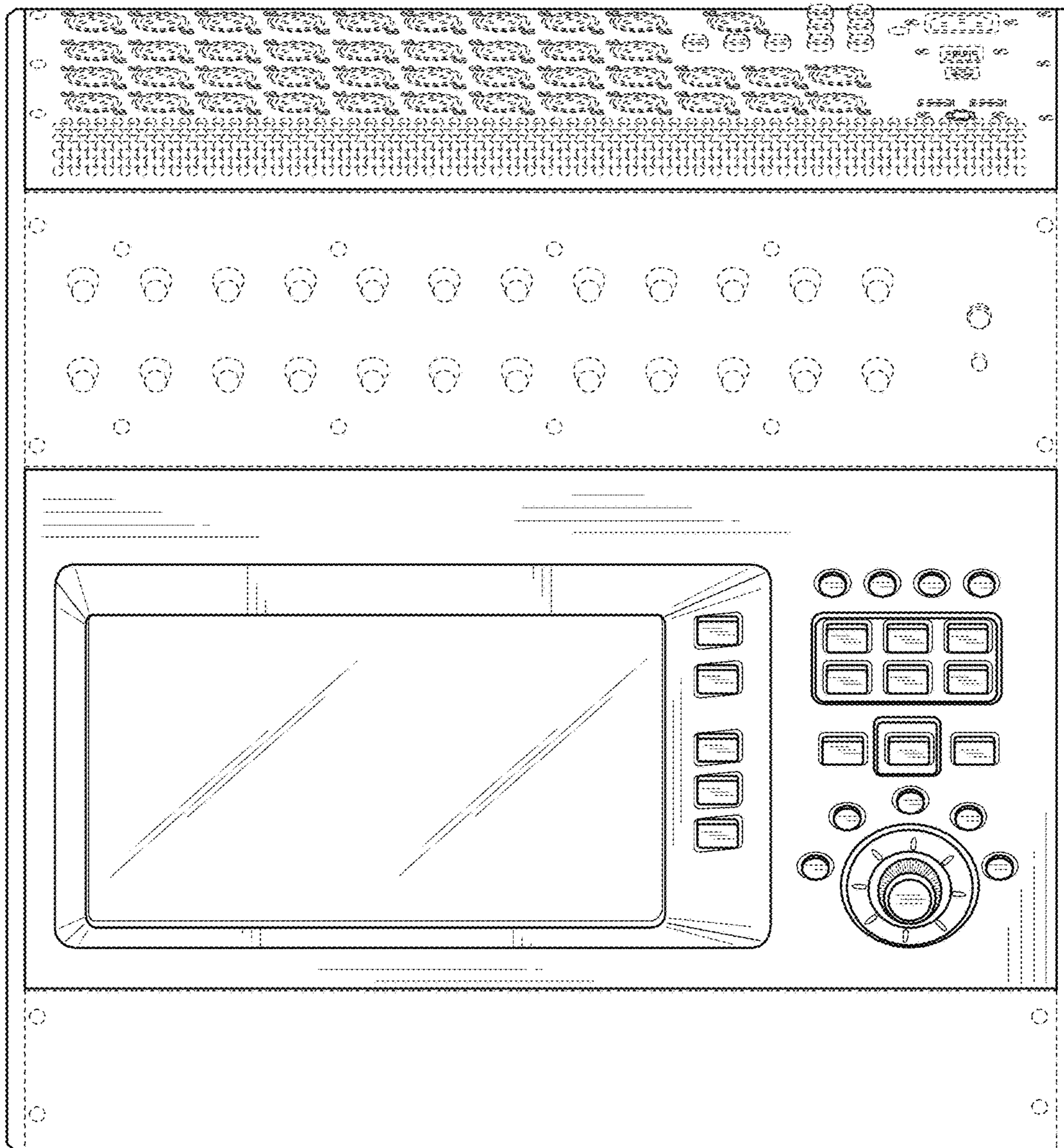


Fig. 4

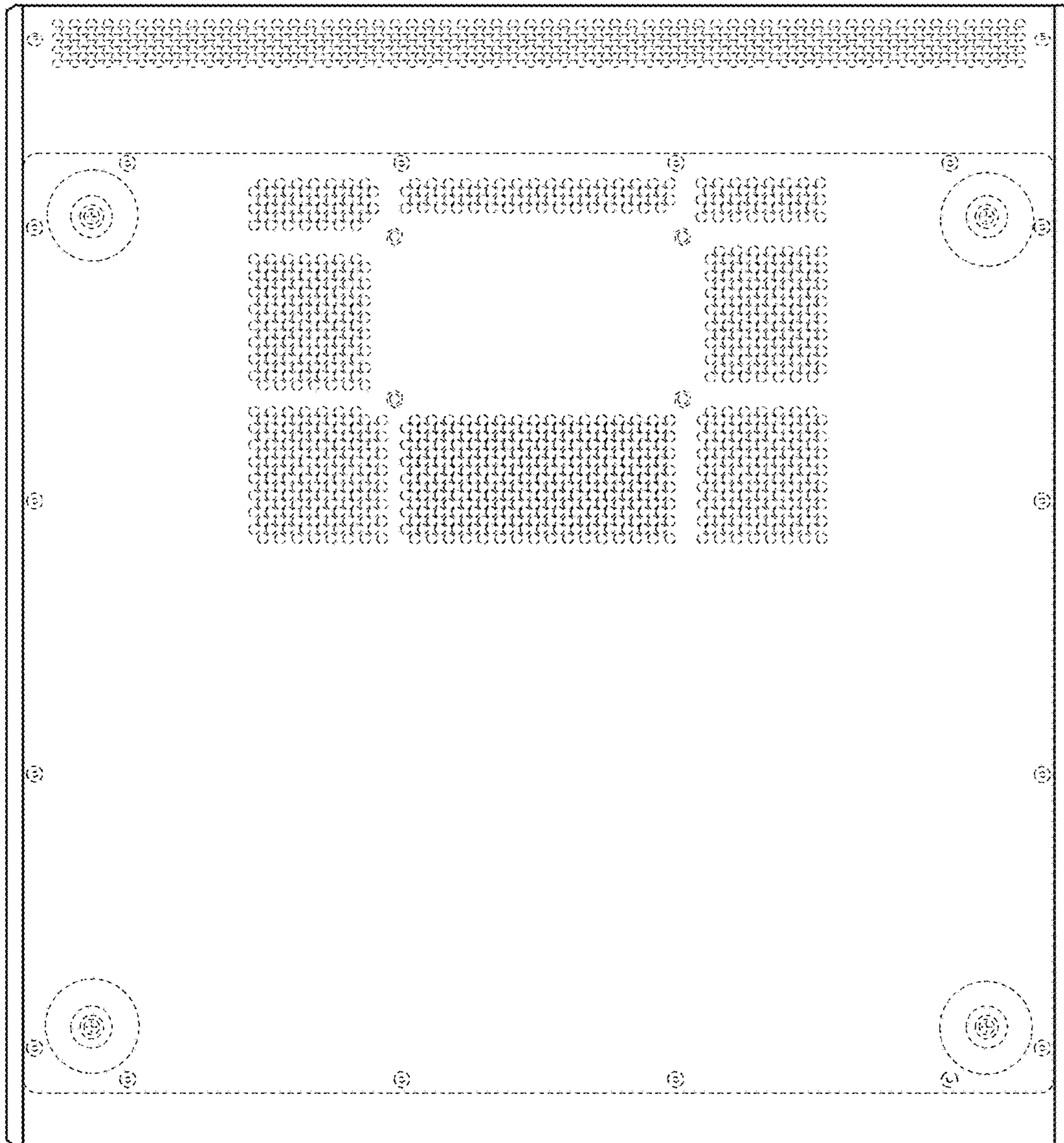


Fig. 5

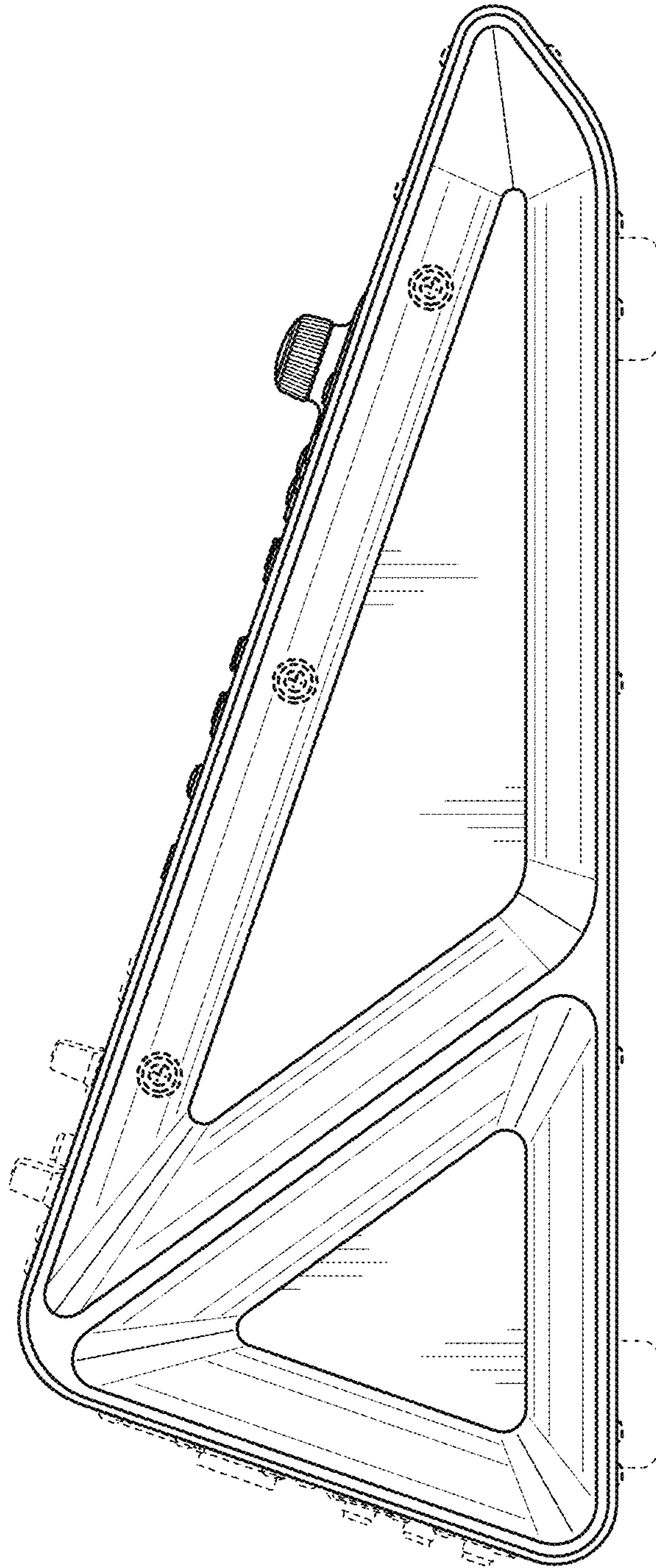


Fig. 6

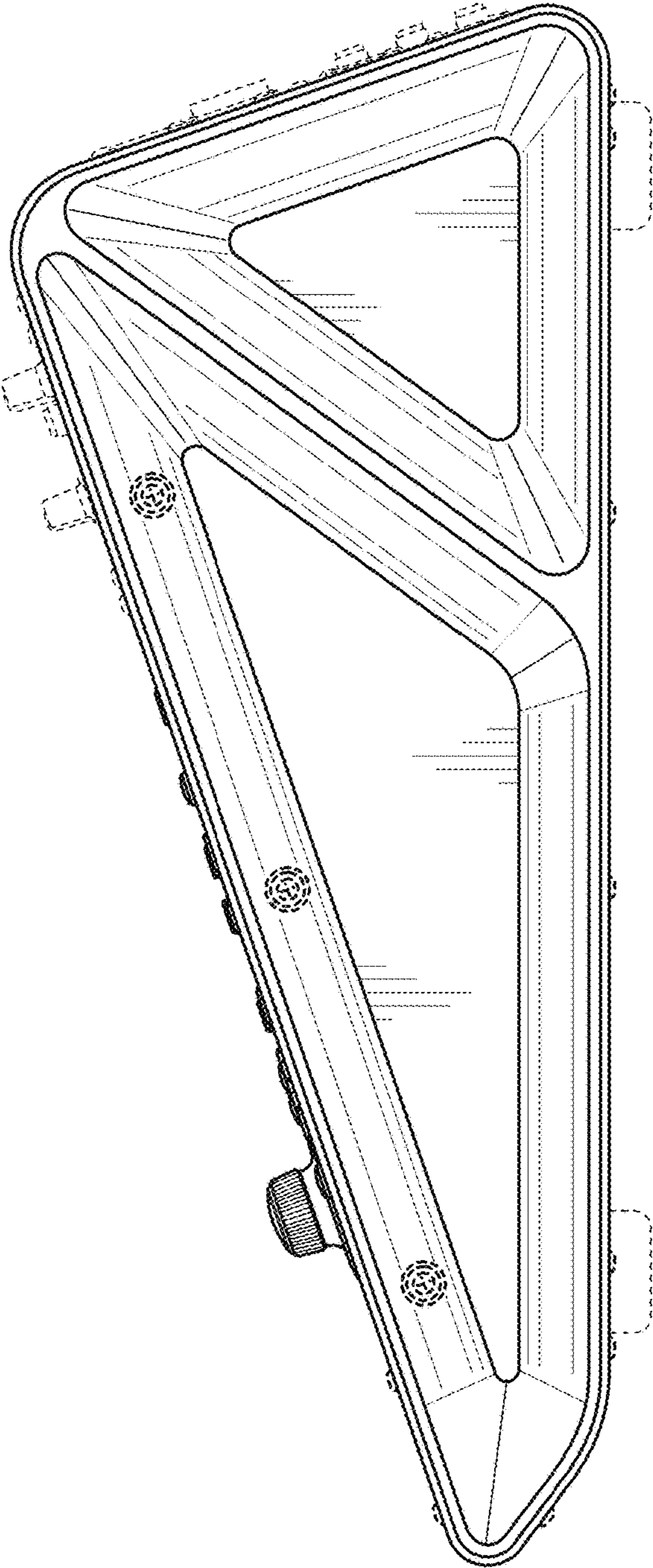


Fig. 7