



US00D807859S

(12) **United States Design Patent**
Wagner

(10) **Patent No.:** **US D807,859 S**
(45) **Date of Patent:** **** Jan. 16, 2018**

(54) **LOUDSPEAKER**
(71) Applicant: **B&O PLAY A/S**, Struer (DK)
(72) Inventor: **Jakob Wagner**, København Ø (DK)
(**) Term: **15 Years**
(21) Appl. No.: **35/501,178**
(22) Filed: **Jun. 22, 2016**
(80) **Hague Agreement Data**
Int. Filing Date: **Jun. 22, 2016**
Int. Reg. No.: **DM/091238**
Int. Reg. Date: **Jun. 22, 2016**
Int. Reg. Pub. Date: **Jul. 8, 2016**

(30) **Foreign Application Priority Data**
Dec. 23, 2015 (EM) 002921387-0001
Dec. 23, 2015 (EM) 002921387-0003
(51) **LOC (11) Cl.** **14-03**
(52) **U.S. Cl.**
USPC **D14/215**; D14/216
(58) **Field of Classification Search**
USPC D14/167, 168, 170-172, 188, 194-196,
D14/204, 207, 209.1, 210-216, 219, 221,
D14/222, 224, 239, 496; 181/143, 144,
181/147, 148, 150, 153, 157, 198, 199;
381/300-303, 306, 332, 333, 336, 345,
381/361-364, 386-388; 369/6-12
CPC B60R 11/0217; G06F 1/1688; G10K 9/22;
G10K 11/004; H03F 1/327; H04M 1/03;
H04M 1/035; H04N 5/642; H04N
21/4852; H04R 1/02; H04R 1/06; H04R
1/021; H04R 1/025; H04R 1/026; H04R
1/028; H04R 1/105; H04R 1/323; H04R
1/403; H04R 1/2803; H04R 1/2834;
H04R 5/02; H04R 7/20; H04R 9/06;
H04R 9/025; H04R 2201/021; H04R

2400/00; H04R 2201/07; H04R 2499/11;
H04R 2499/13; H04R 2499/15; H04S
3/00; H04S 7/30

See application file for complete search history.

(56) **References Cited**

U.S. PATENT DOCUMENTS

D449,590 S *	10/2001	Lewis	D14/188
D512,988 S *	12/2005	Green	D14/214
D514,546 S *	2/2006	Chan	D14/171
D574,849 S *	8/2008	Chen	D14/496
D749,544 S *	2/2016	Lee	D14/214
D756,330 S *	5/2016	Silvera	D14/204
D776,639 S *	1/2017	Carbone	D14/214

OTHER PUBLICATIONS

What HiFi—"B&O BeoPlay A6 review", announced Dec. 16, 2015 [online]. [site visited Oct. 1, 2017], Available from internet, URL: <https://www.whathifi.com/bo/beoplay-a6/review>, 12p.*

* cited by examiner

Primary Examiner — Keli L Hill

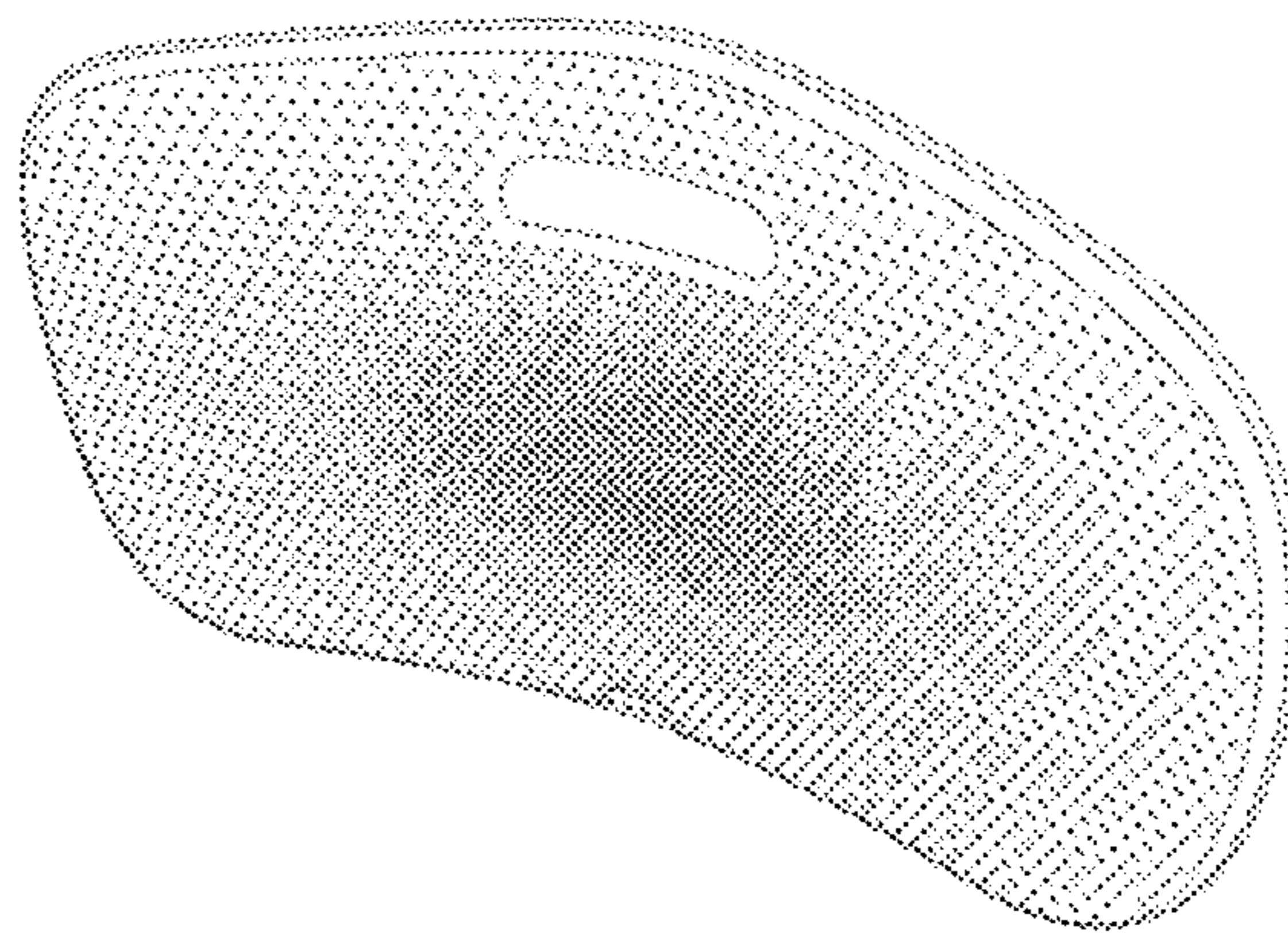
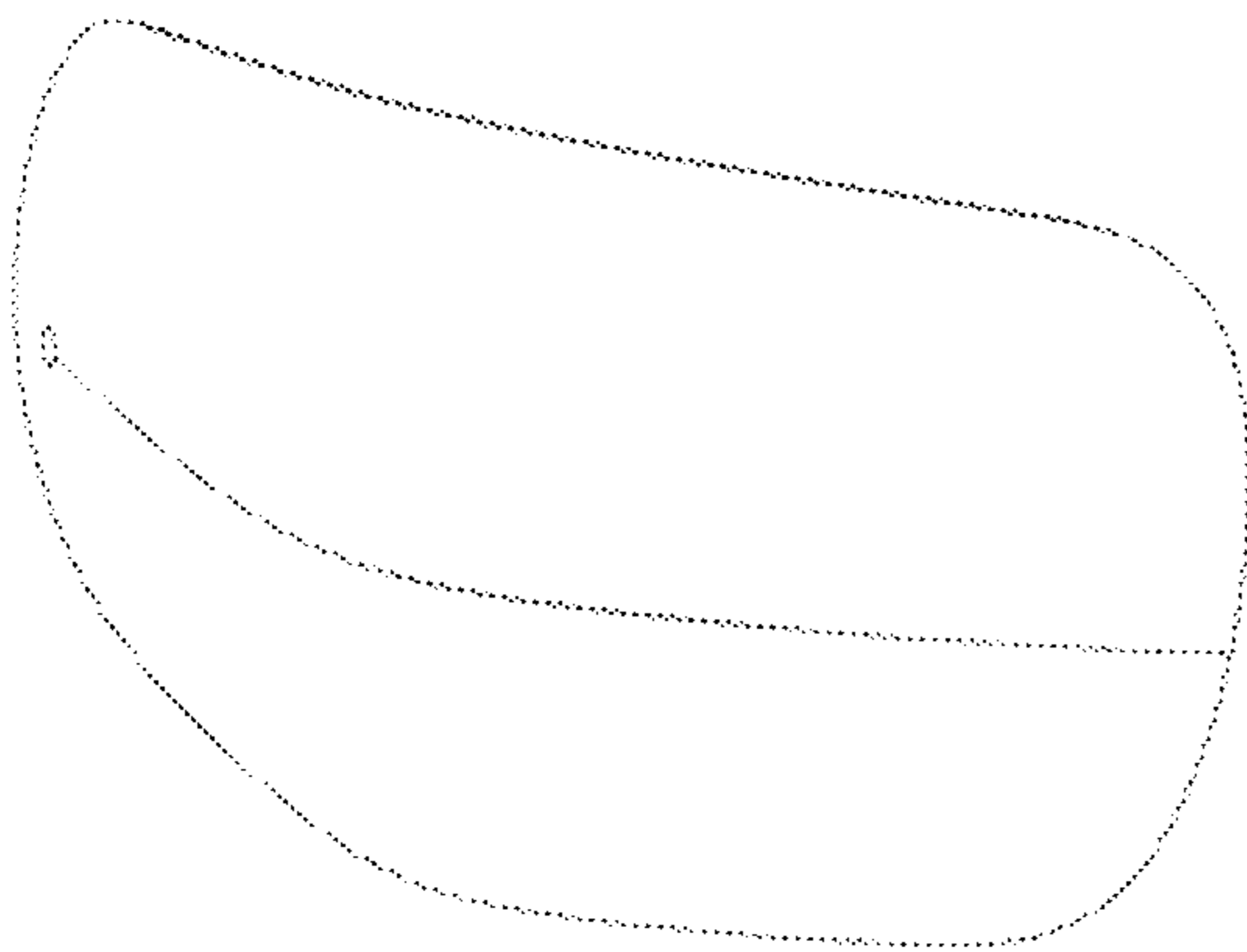
(57) **CLAIM**

The ornamental design for loudspeaker, as shown and described.

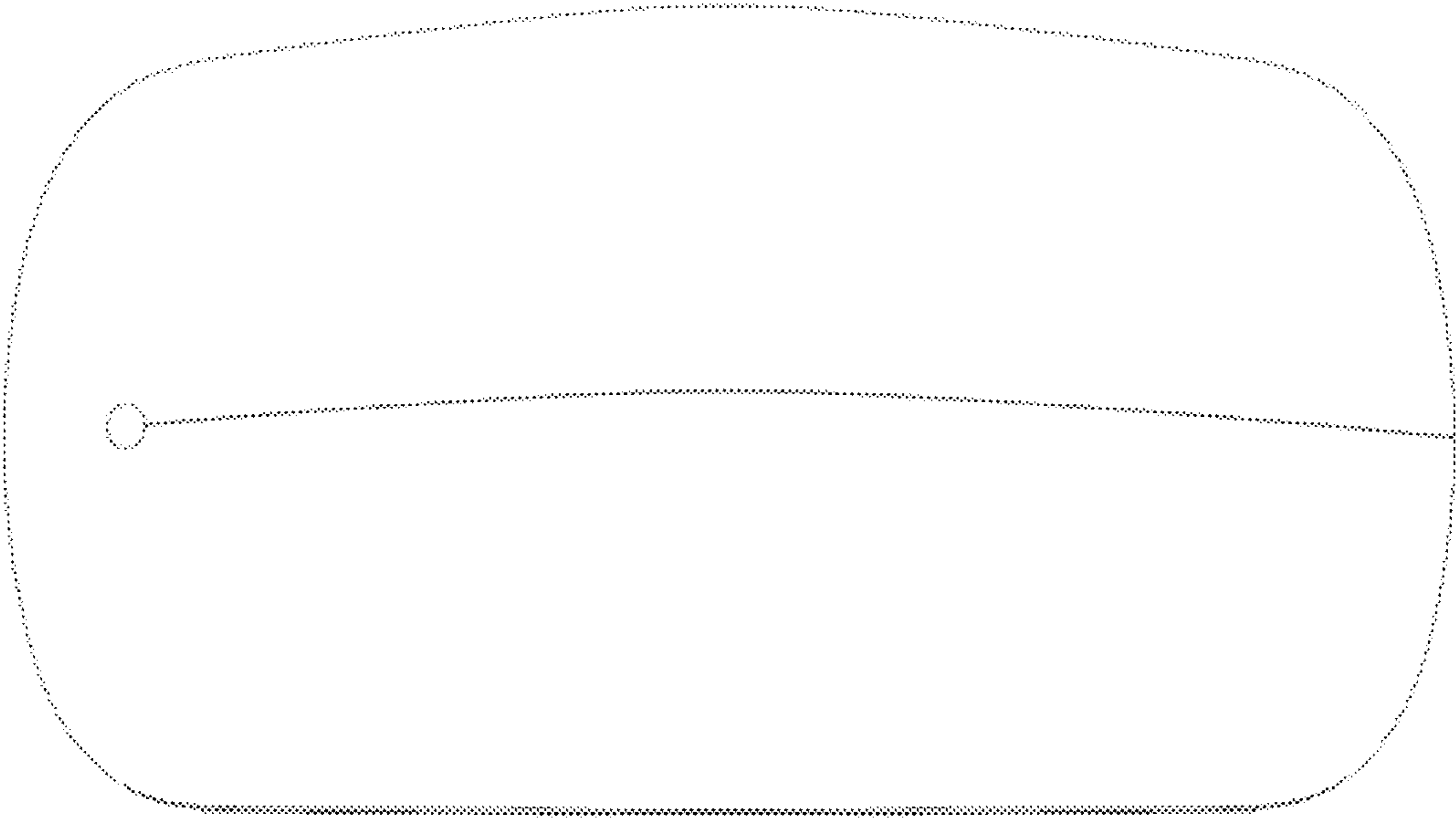
DESCRIPTION

- 1. Loudspeaker
- 1.1 : Front
- 1.2 : Left
- 1.3 : Right
- 1.4 : Top
- 1.5 : Perspective
- 1.6 : Back
- 1.7 : Perspective back view

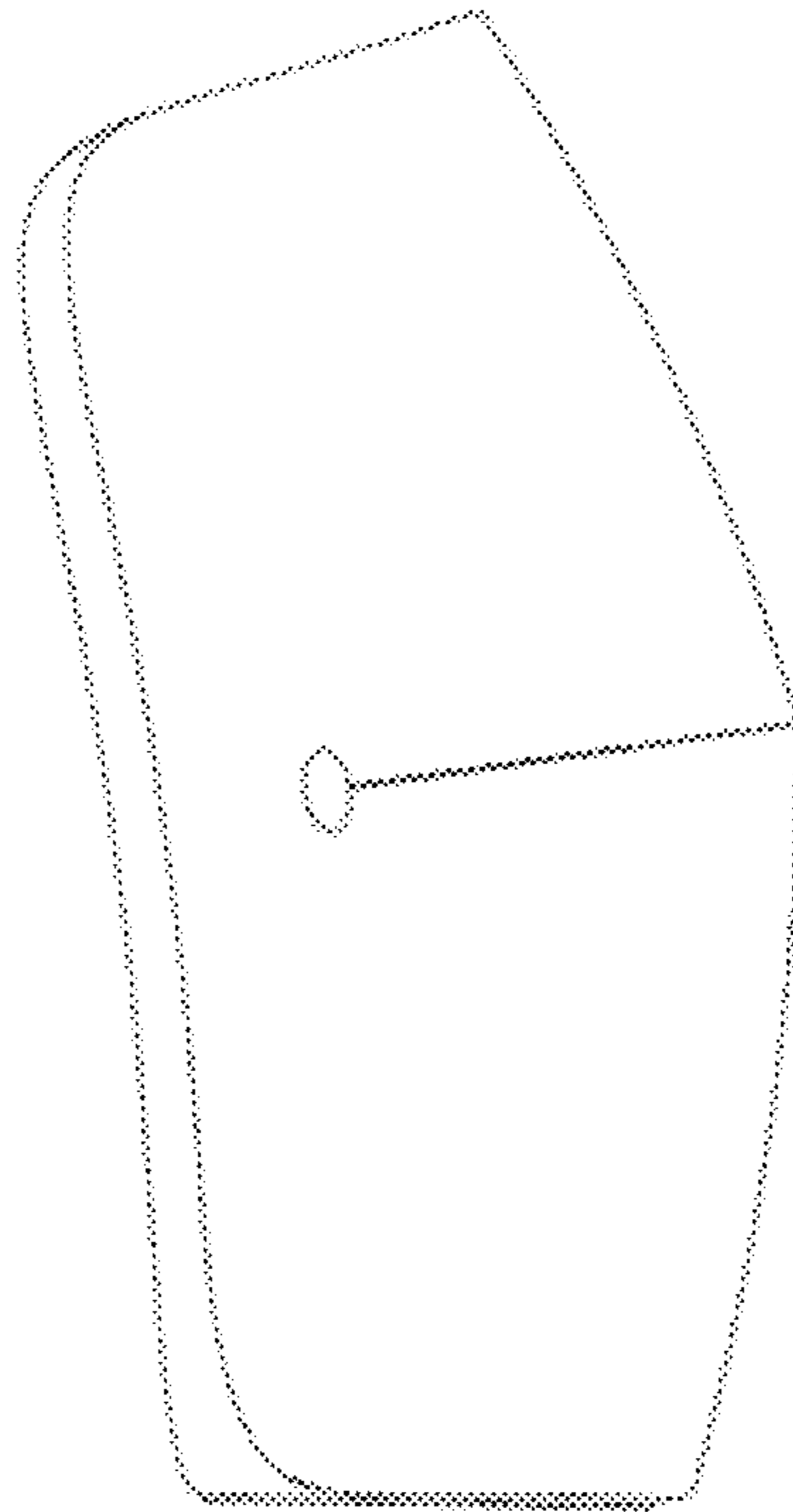
1 Claim, 7 Drawing Sheets



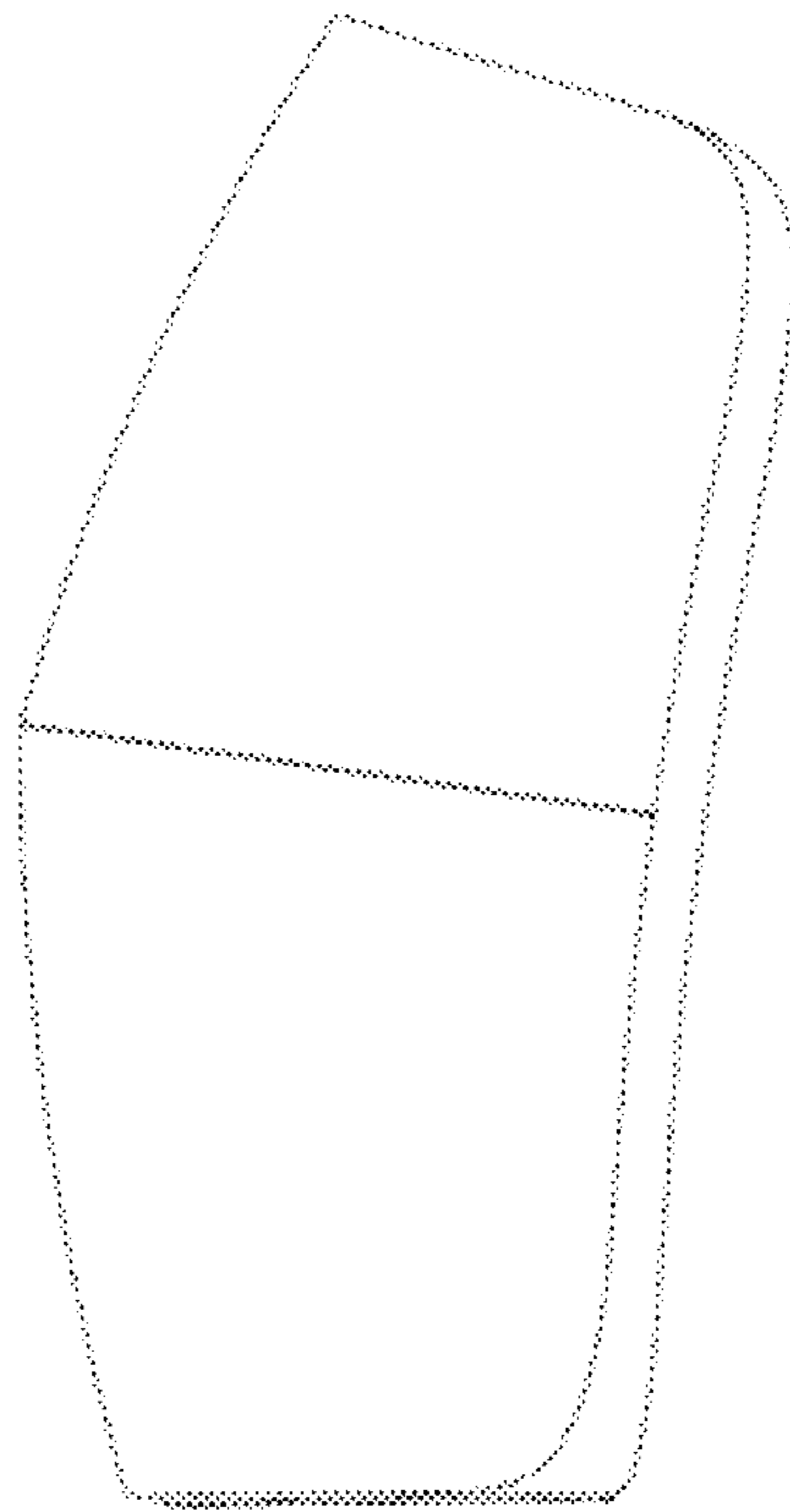
1.1



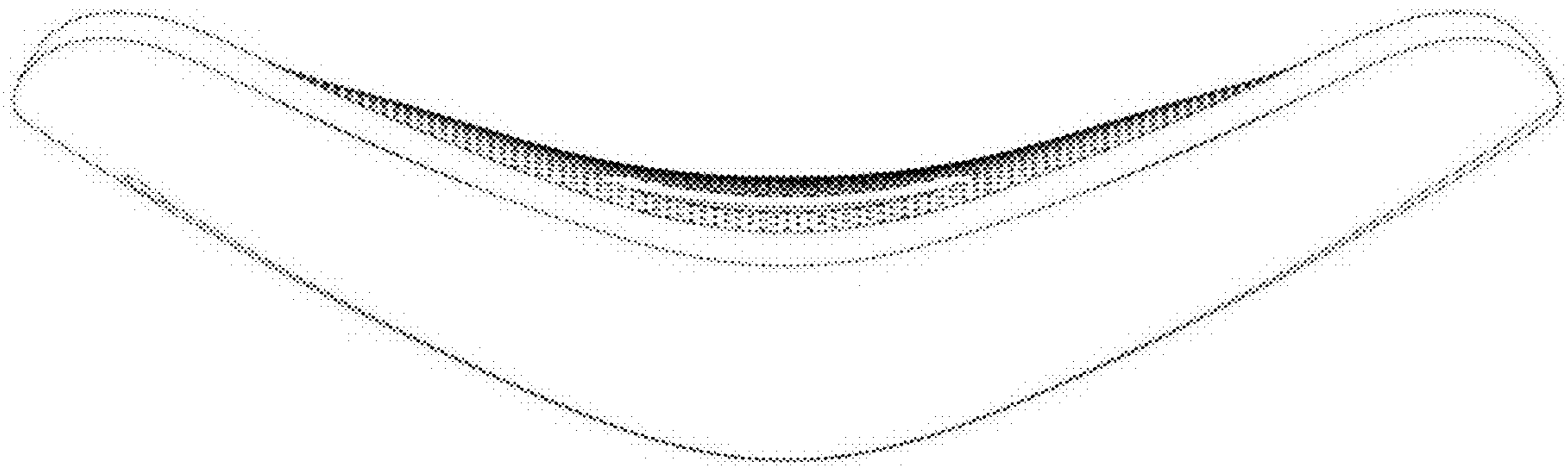
1.2



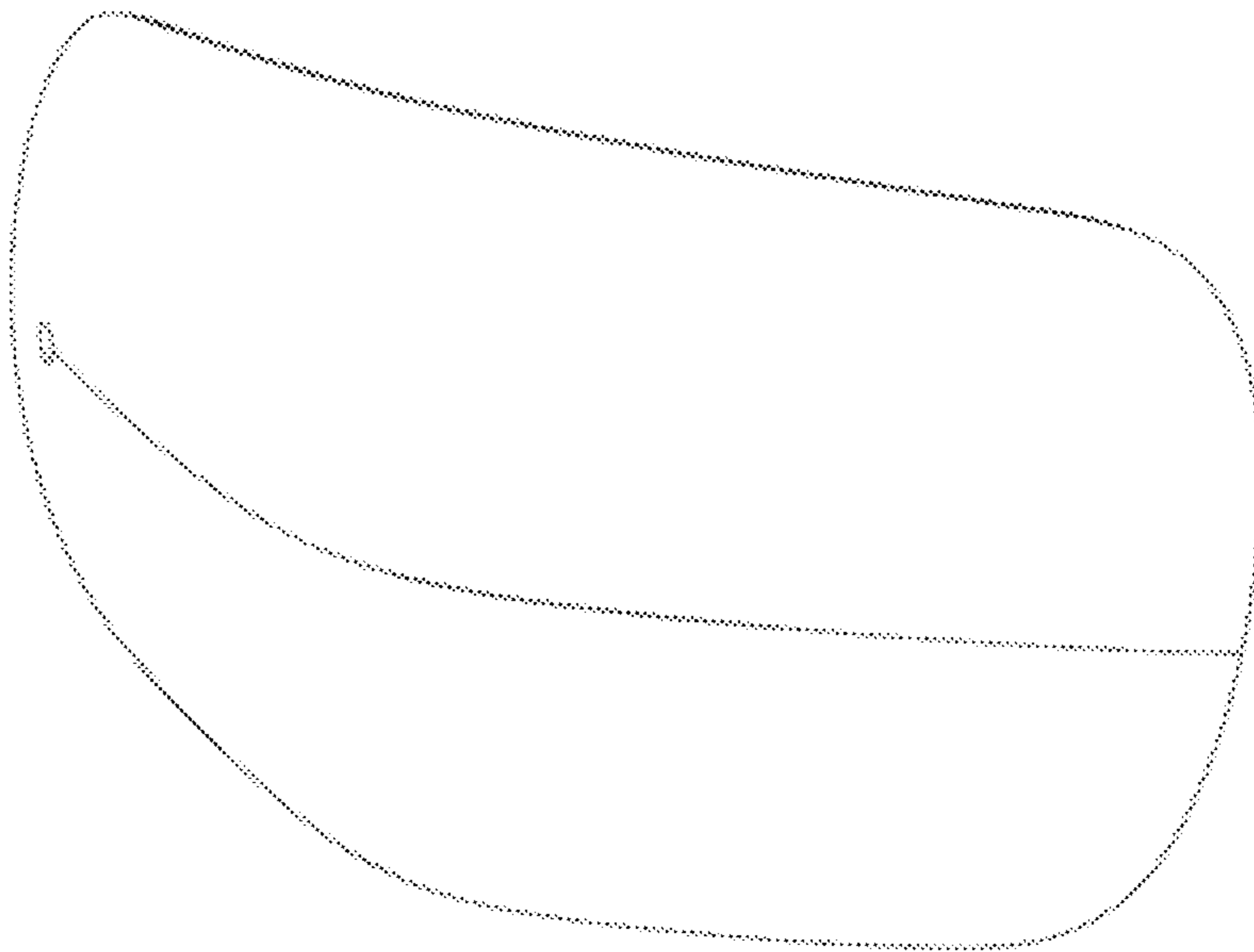
1.3



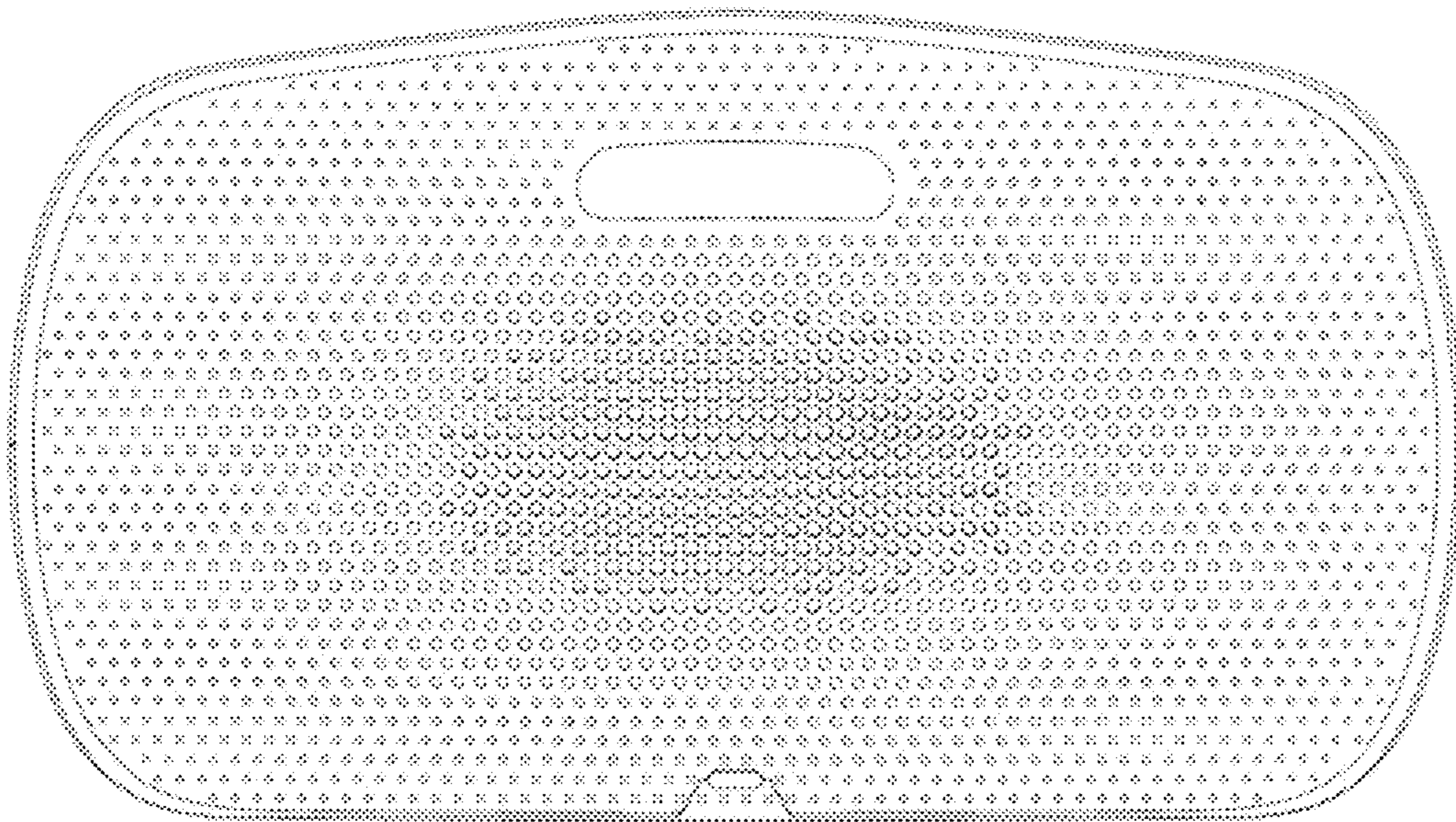
1.4



1.5



1.6



1.7

