



US00D807850S

(12) **United States Design Patent**
Whang

(10) **Patent No.:** **US D807,850 S**
(45) **Date of Patent:** **** Jan. 16, 2018**

(54) **MOBILE TERMINAL**

(71) Applicant: **Samsung Electronics Co., Ltd.**,
Suwon-si, Gyeonggi-do (KR)

(72) Inventor: **Sun-Wook Whang**, Namyangju-si (KR)

(73) Assignee: **SAMSUNG ELECTRONICS CO., LTD.**, Gyeonggi-Do (KR)

(**) Term: **15 Years**

(21) Appl. No.: **29/551,956**

(22) Filed: **Jan. 19, 2016**

(30) **Foreign Application Priority Data**

Jul. 28, 2015 (KR) 30-2015-0038083

(51) **LOC (11) Cl.** **14-03**

(52) **U.S. Cl.**
USPC **D14/138 G**

(58) **Field of Classification Search**
USPC D14/138 G, 138 AD, 341, 138 R, 496,
D14/203.1, 203.3, 203.5, 203.7, 248;
455/575.1, 556.2; D21/517, 329;
361/679.3, 679.56
CPC . G06F 1/1626; H04M 1/0266; H04M 1/0264;
H04M 1/0202

See application file for complete search history.

(56) **References Cited**

U.S. PATENT DOCUMENTS

D656,918 S * 4/2012 Kim D14/138 G
D684,150 S * 6/2013 Goradesky D14/250
D688,643 S * 8/2013 Park D14/138 G
D691,576 S * 10/2013 Lee D14/138 G
D701,203 S * 3/2014 Katori D14/341
D703,665 S * 4/2014 Suzuki D14/341
D707,644 S * 6/2014 Asano D14/138 G
D712,864 S * 9/2014 Hirota D14/138 G
D716,294 S * 10/2014 Park D14/341

D718,758 S * 12/2014 Jaffee D14/250
D719,565 S * 12/2014 Hirayama D14/341
D752,005 S * 3/2016 Dhondt D14/138 G
D761,750 S * 7/2016 Han D14/138 G
D761,751 S * 7/2016 Cho D14/138 G
D770,408 S * 11/2016 Lee D14/138 G
D770,410 S * 11/2016 Yu D14/138 G
D783,588 S * 4/2017 Chang D14/250
D785,612 S * 5/2017 Kim D14/248
D785,618 S * 5/2017 Schwibner D14/341
D787,464 S * 5/2017 Kim D14/138 G
D788,736 S * 6/2017 Kim D14/138 G
D791,097 S * 7/2017 Park D14/138 G

(Continued)

OTHER PUBLICATIONS

Samsung Galaxy J1 Ace, released Nov. 2015, [online], [site visited Aug. 16, 2017]. Available from Internet, <URL: http://www.gsmarena.com/samsung_galaxy_j1_ace-7673.php>.*

(Continued)

Primary Examiner — Jeffrey D Asch

(74) *Attorney, Agent, or Firm* — Cantor Colburn LLP

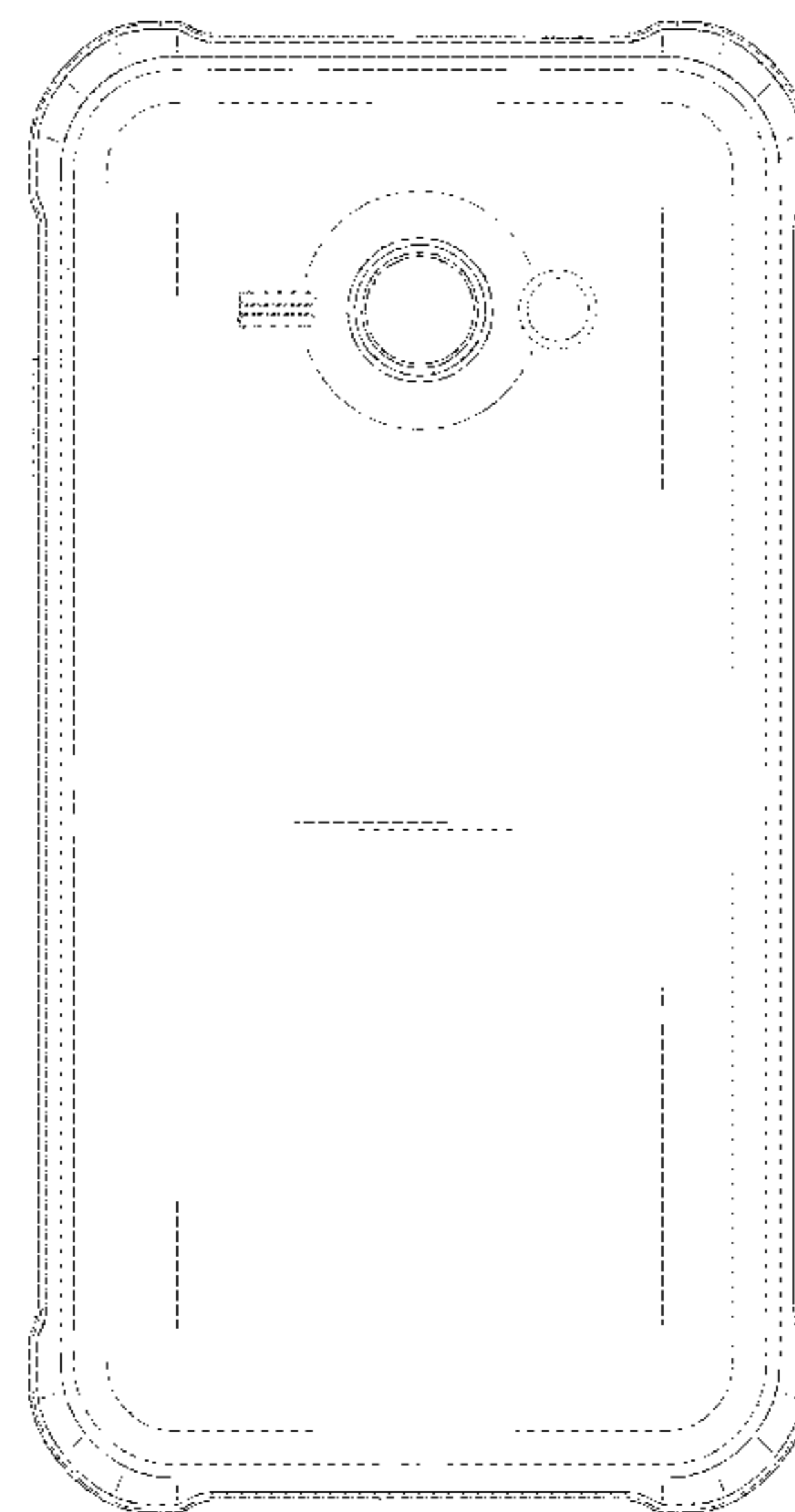
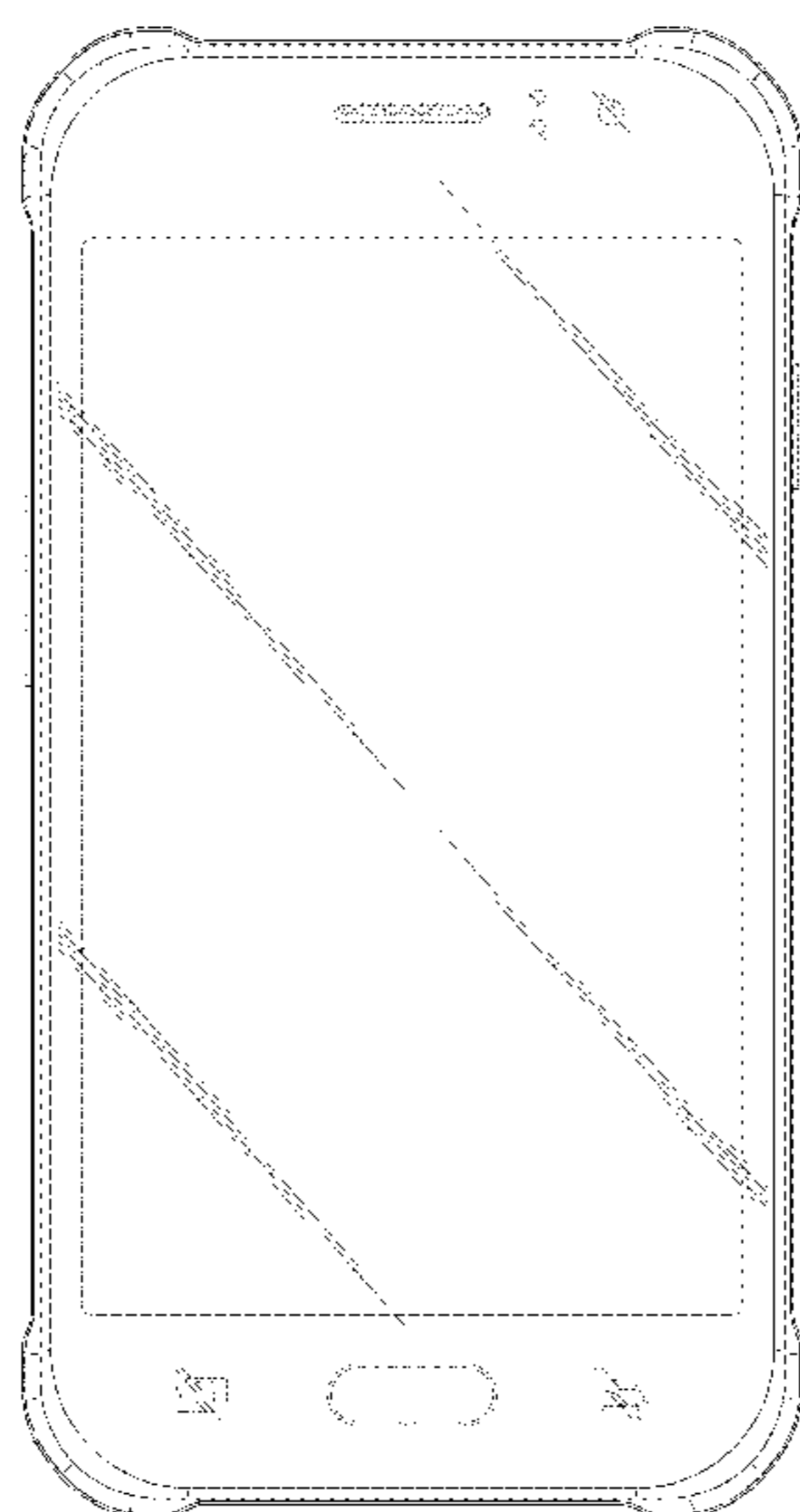
(57) **CLAIM**

The ornamental design for a mobile terminal, as shown and described.

DESCRIPTION

FIG. 1 is a front perspective view of a mobile terminal, showing my new design;
FIG. 2 is a front view thereof;
FIG. 3 is a rear view thereof;
FIG. 4 is a side view thereof;
FIG. 5 is another side view thereof;
FIG. 6 is a top view thereof; and,
FIG. 7 is a bottom view thereof.
The broken lines illustrating portions of the mobile terminal form no part of the claimed design.

1 Claim, 5 Drawing Sheets



(56)

References Cited

U.S. PATENT DOCUMENTS

D791,098 S * 7/2017 Park D14/138 G
 D791,727 S * 7/2017 Choi D14/138 AA
 D792,365 S * 7/2017 Lee D14/138 G
 D792,866 S * 7/2017 Lee D14/138 G
 D793,389 S * 8/2017 Kim D14/341
 D794,592 S * 8/2017 Kim D14/138 G
 2013/0271897 A1* 10/2013 Limber H04B 1/3888
 361/679.01
 2014/0009873 A1* 1/2014 Nashner B41M 5/267
 361/679.01
 2016/0050302 A1* 2/2016 Lee H04B 1/3888
 455/575.1
 2016/0051021 A1* 2/2016 Onda A45C 11/00
 224/191
 2016/0299528 A1* 10/2016 Mori G06F 1/1626

OTHER PUBLICATIONS

Samsung Galaxy J1, released Nov. 2015, [online], [site visited Aug. 16, 2017]. Available from Internet, <URL: http://www.gsmarena.com/samsung_galaxy_j1-6907.php>.*

Samsung Galaxy S7 active, released Jun. 2016, [online], [site visited Aug. 16, 2017]. Available from Internet, <URL: http://www.gsmarena.com/samsung_galaxy_s7_active-8004.php>.*

Samsung Galaxy Xcover 3, released Apr. 2015, [online], [site visited Aug. 16, 2017]. Available from Internet, <URL: http://www.gsmarena.com/samsung_galaxy_xcover_3-6990.php>.*

Kyocera Hydro Xtrm, released Jun. 2013, [online], [site visited Aug. 16, 2017]. Available from Internet, <URL: http://www.gsmarena.com/kyocera_hydro_xtrm-5555.php>.*

* cited by examiner

FIG. 1

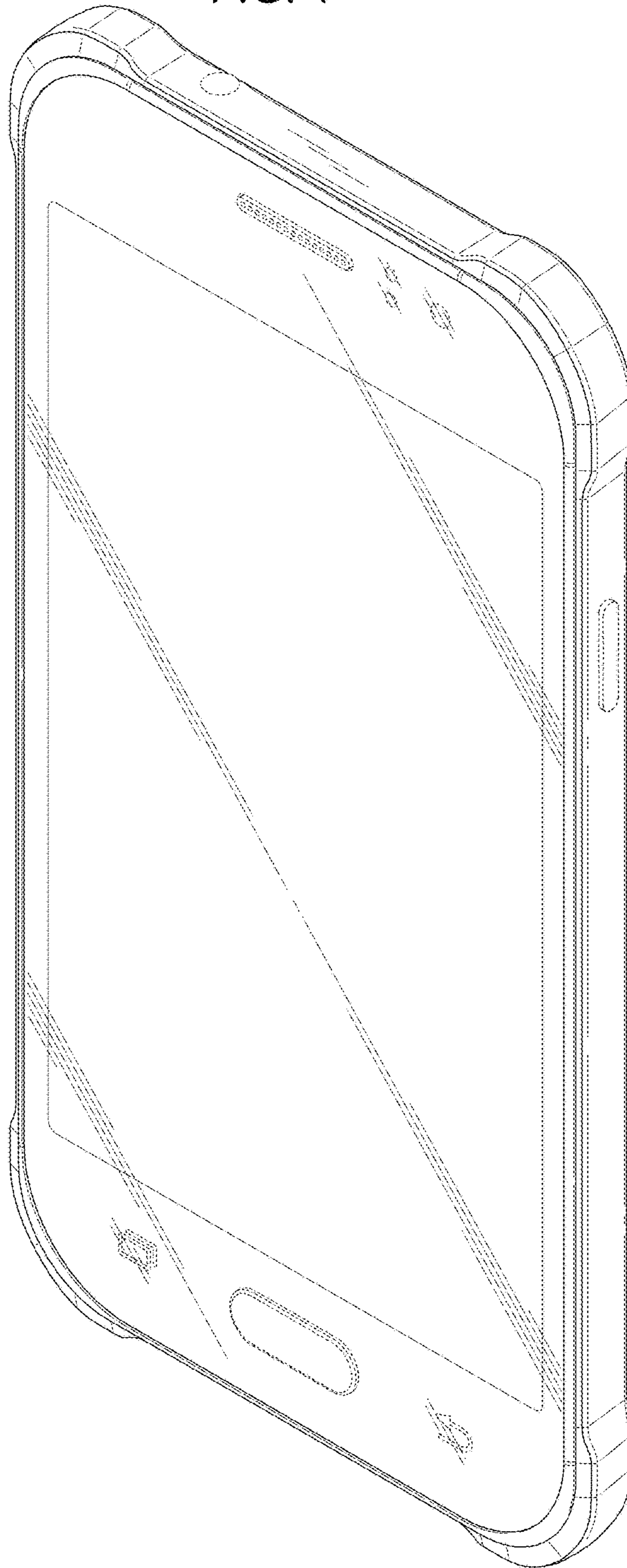


FIG. 2

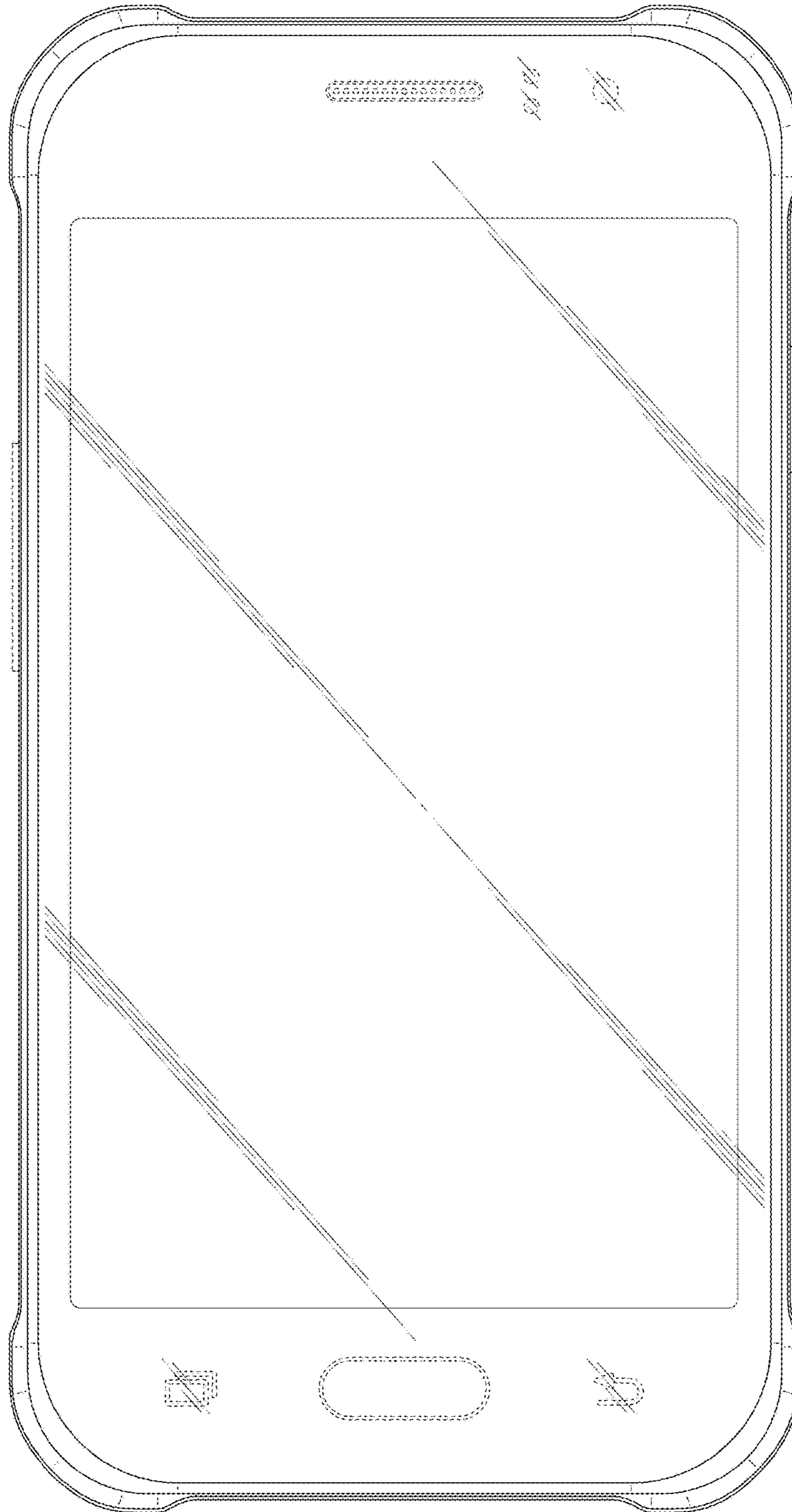


FIG. 3

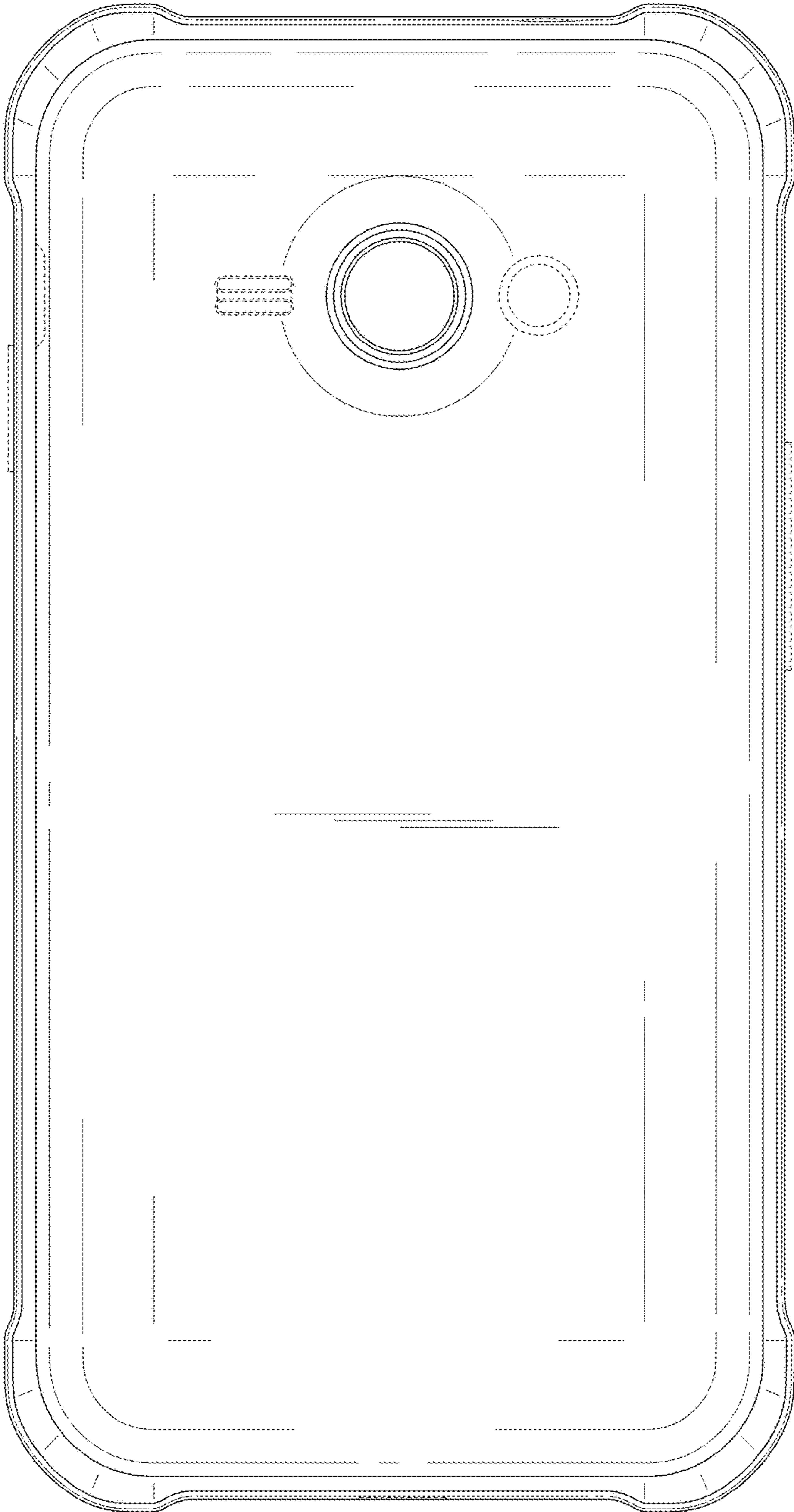


FIG. 4

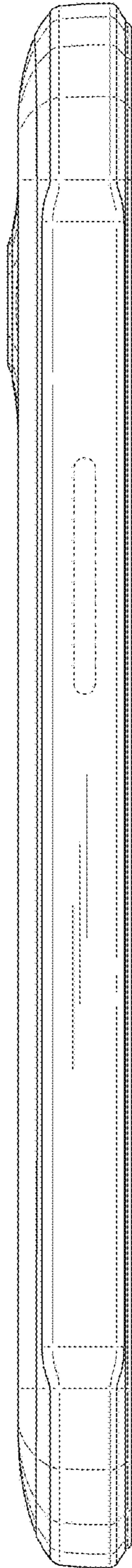


FIG. 5

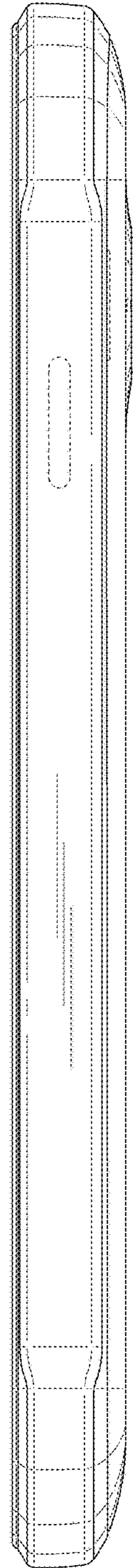


FIG. 6

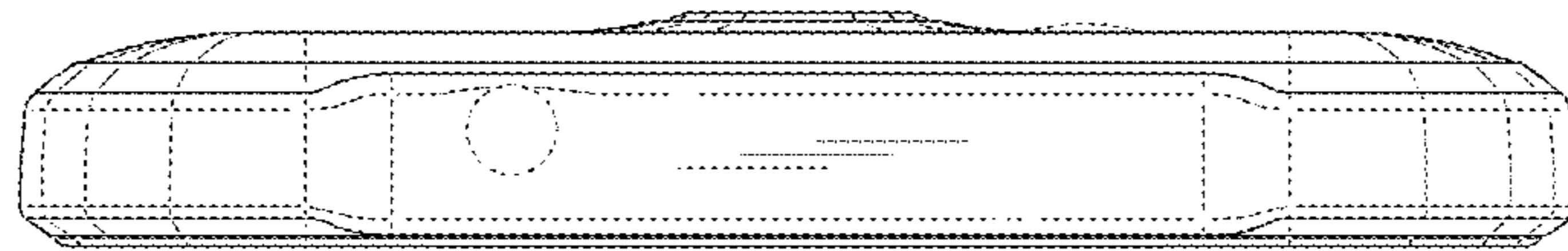


FIG. 7

