

US00D807847S

(12) **United States Design Patent**  
**Ahn et al.**

(10) **Patent No.:** **US D807,847 S**  
(45) **Date of Patent:** **\*\* Jan. 16, 2018**

(54) **TV RECEIVER**

(71) Applicant: **LG ELECTRONICS INC.**, Seoul (KR)

(72) Inventors: **Hyuntae Ahn**, Seoul (KR); **Chulhee Lim**, Seoul (KR); **Sunggu Joe**, Seoul (KR)

(73) Assignee: **LG Electronics Inc.**, Seoul (KR)

(\*\*) Term: **15 Years**

(21) Appl. No.: **35/501,774**

(22) Filed: **Apr. 26, 2016**

(80) **Hague Agreement Data**

Int. Filing Date: **Apr. 26, 2016**  
Int. Reg. No.: **DM/090532**  
Int. Reg. Date: **Apr. 26, 2016**  
Int. Reg. Pub. Date: **Oct. 28, 2016**

(30) **Foreign Application Priority Data**

Oct. 30, 2015 (KR) ..... 30-2015-0054931

(51) **LOC (11) Cl.** ..... **14-03**

(52) **U.S. Cl.**  
USPC ..... **D14/126**

(58) **Field of Classification Search**

USPC ..... D14/126, 358, 383, 385, 387, 421, 435;  
D12/418; D20/15, 18, 41, 42  
CPC ..... H04N 5/64; H04N 2005/4408  
See application file for complete search history.

(56) **References Cited**

U.S. PATENT DOCUMENTS

2,881,543 A \* 4/1959 De Rouen ..... A63B 71/0672  
116/173  
D310,389 S \* 9/1990 Trewarn ..... D20/21  
D377,668 S \* 1/1997 Biram ..... D20/41  
D451,967 S \* 12/2001 Lung ..... D20/21  
D550,289 S \* 9/2007 Prokop ..... D20/41  
D646,332 S \* 10/2011 Yi ..... D20/15

\* cited by examiner

*Primary Examiner* — Barbara Fox

*Assistant Examiner* — Eliza Bennett-Hattan

(74) *Attorney, Agent, or Firm* — Birch, Stewart, Kolasch & Birch, LLP

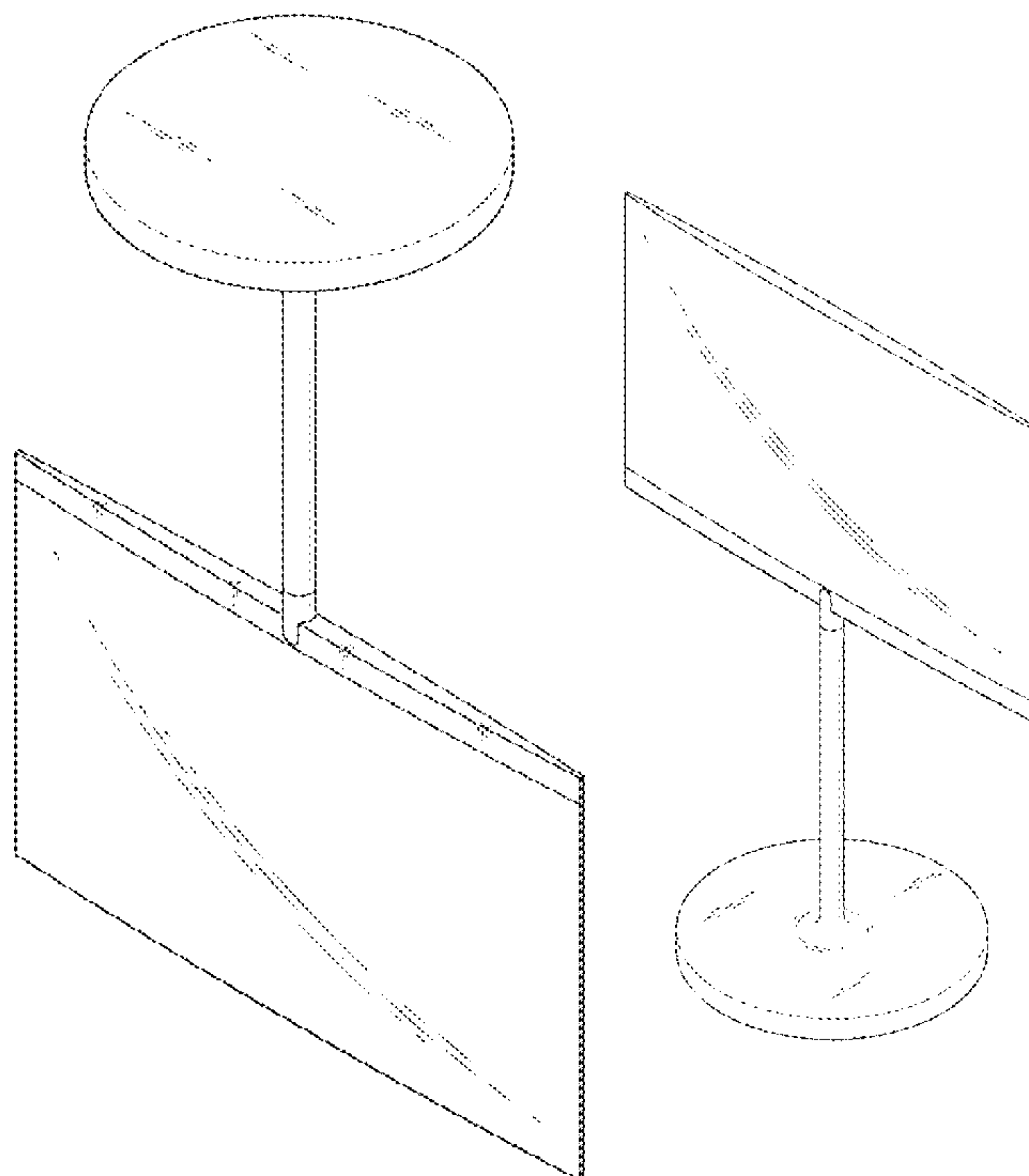
(57) **CLAIM**

The ornamental design for a TV receiver, as shown and described.

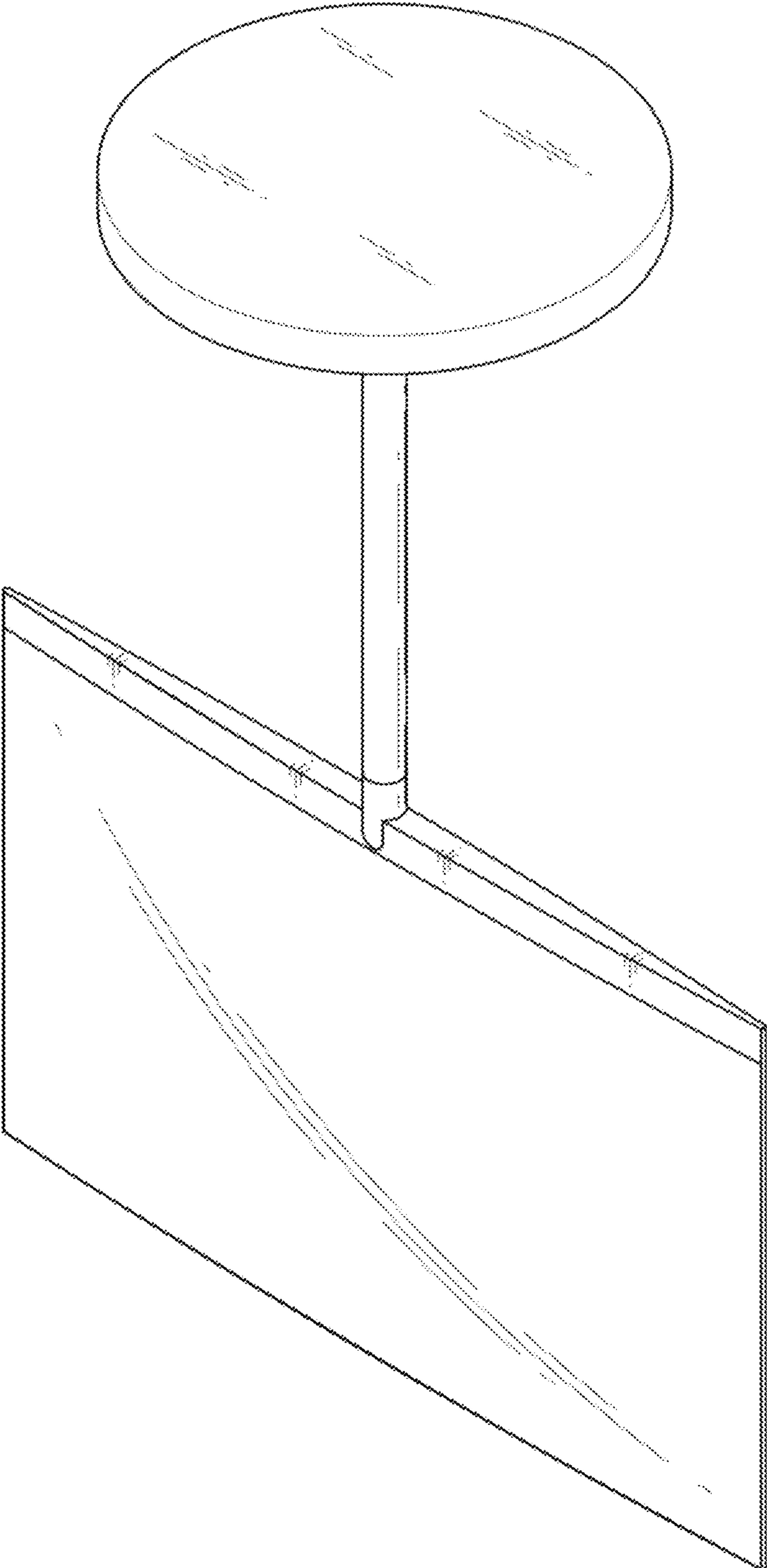
**DESCRIPTION**

- 1. TV receiver
- 1.1 : Perspective
- 1.2 : Front
- 1.3 : Back
- 1.4 : Left
- 1.5 : Right
- 1.6 : Top
- 1.7 : Bottom
- 1.8 : Reference view

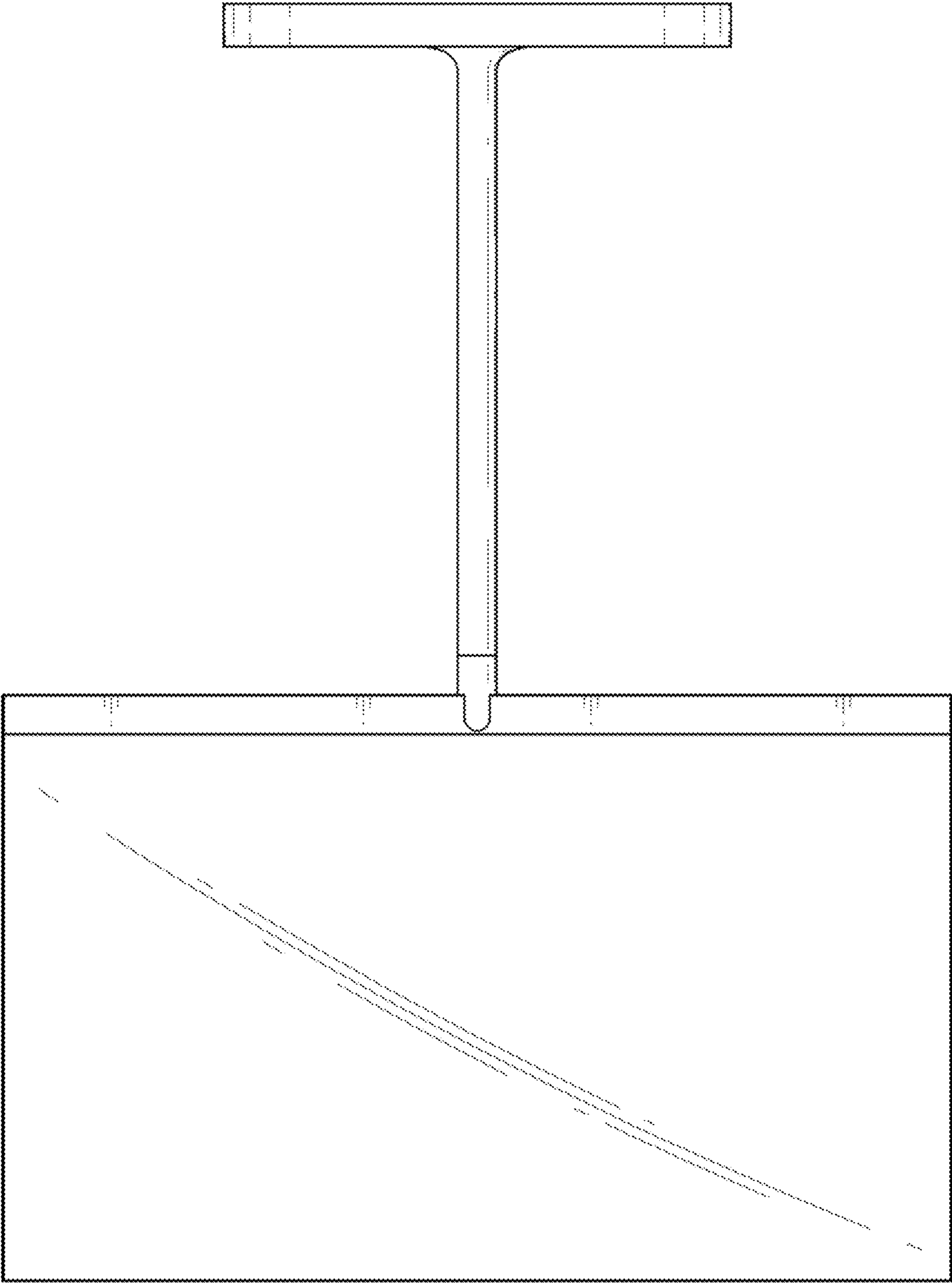
**1 Claim, 8 Drawing Sheets**



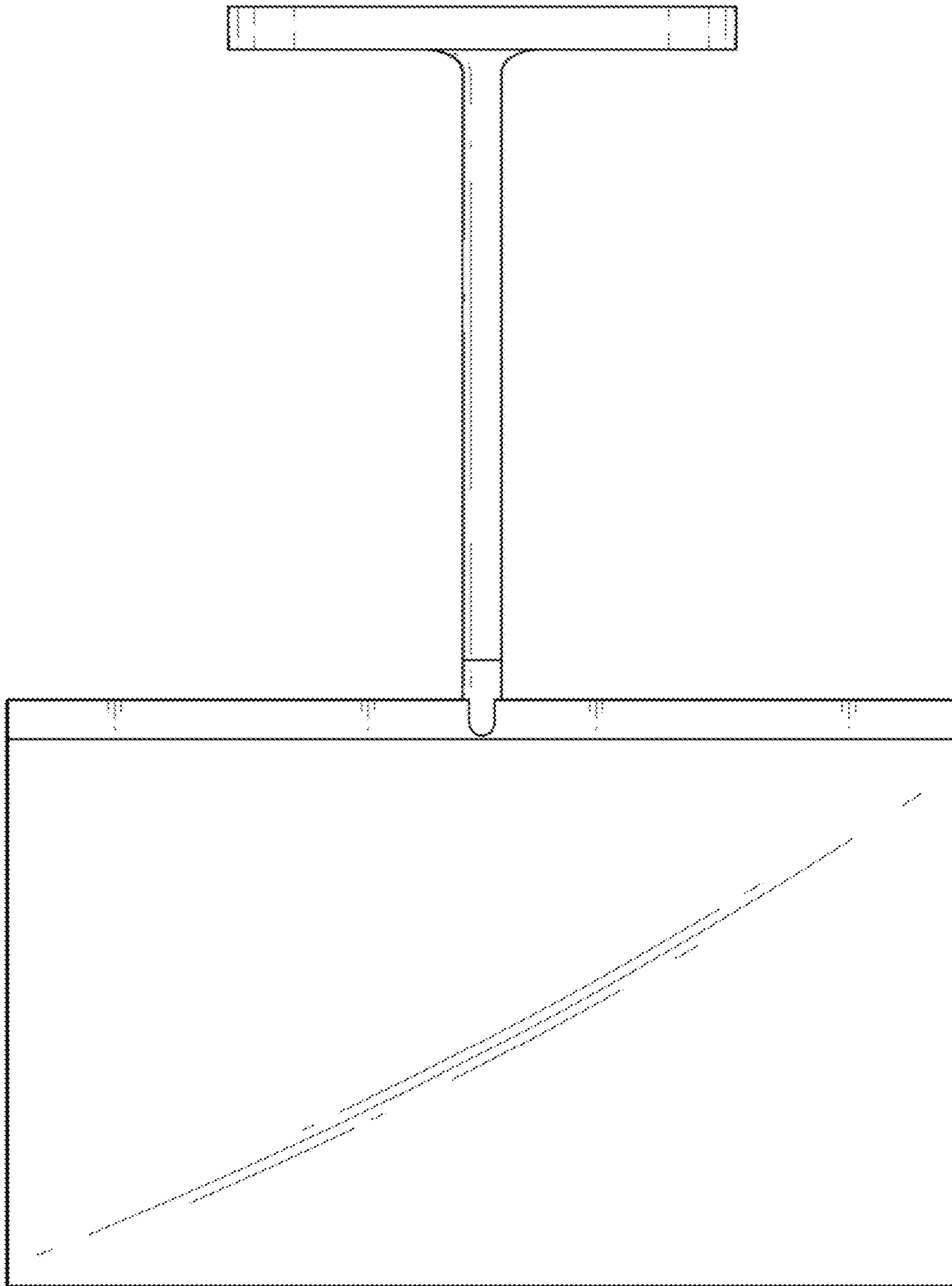
1.1



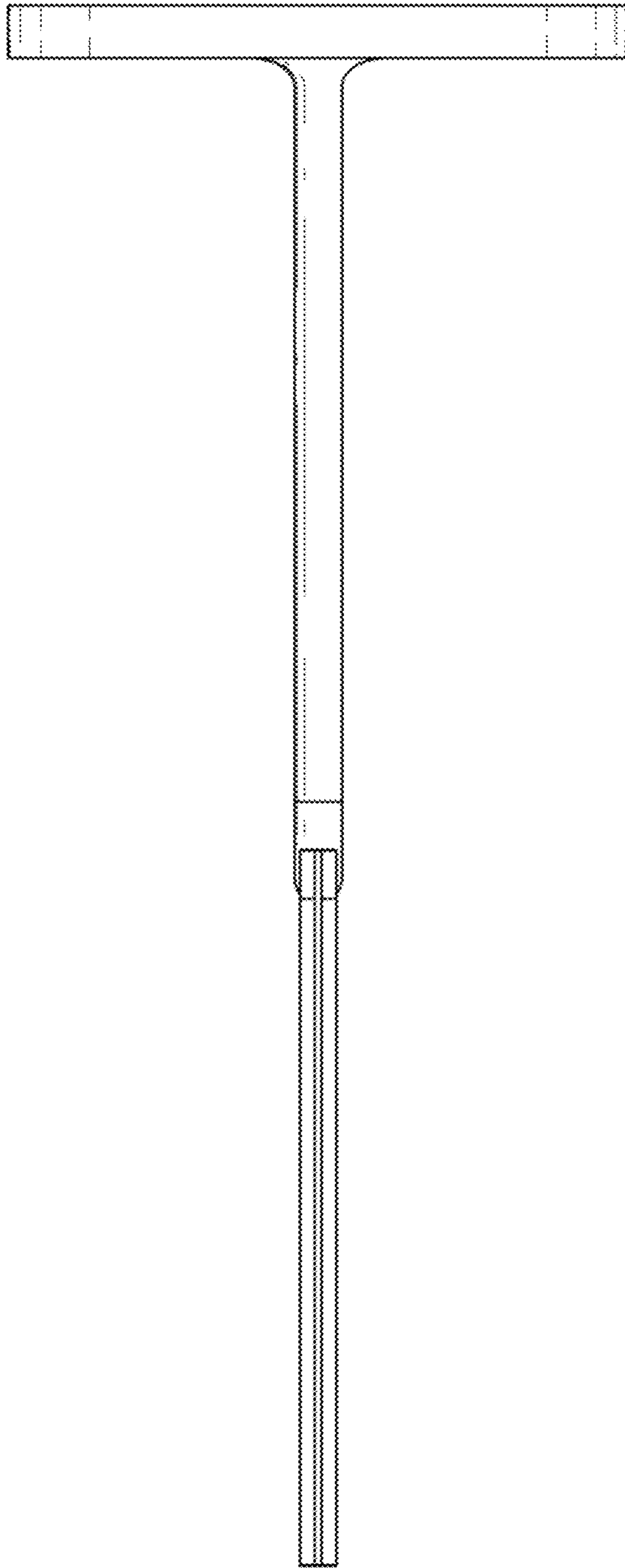
1.2

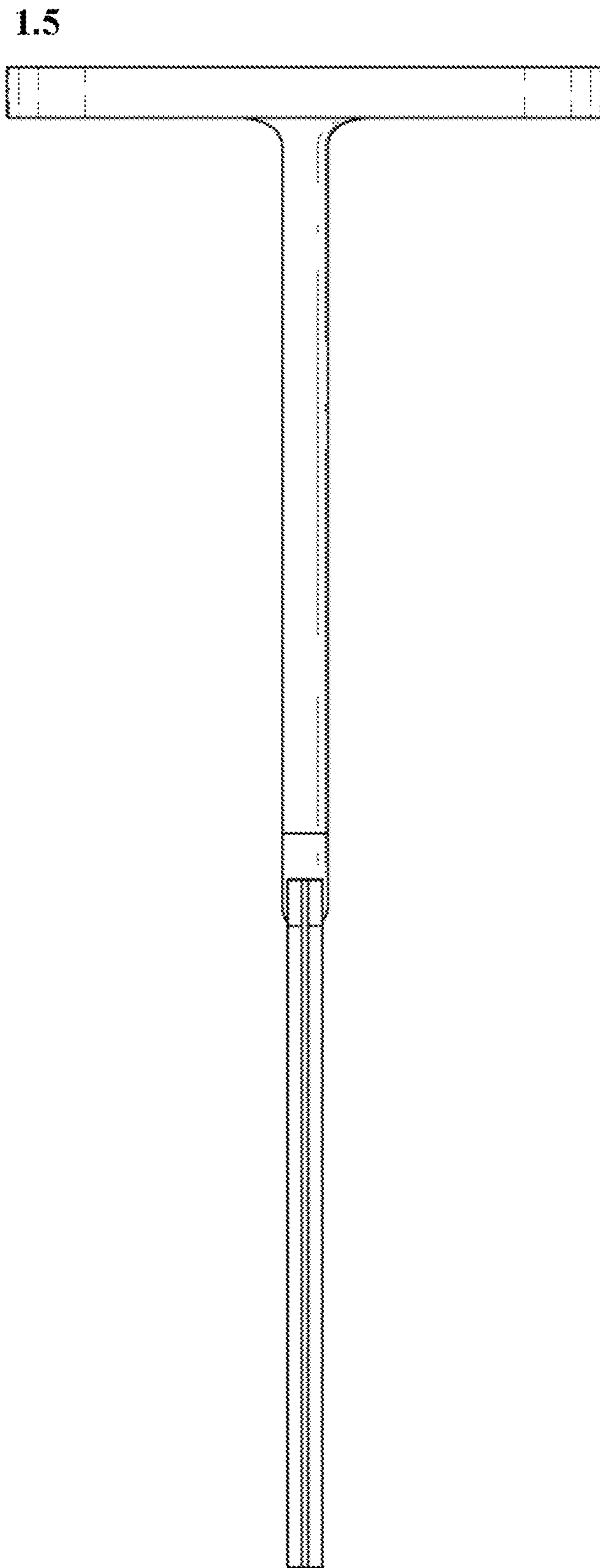


1.3

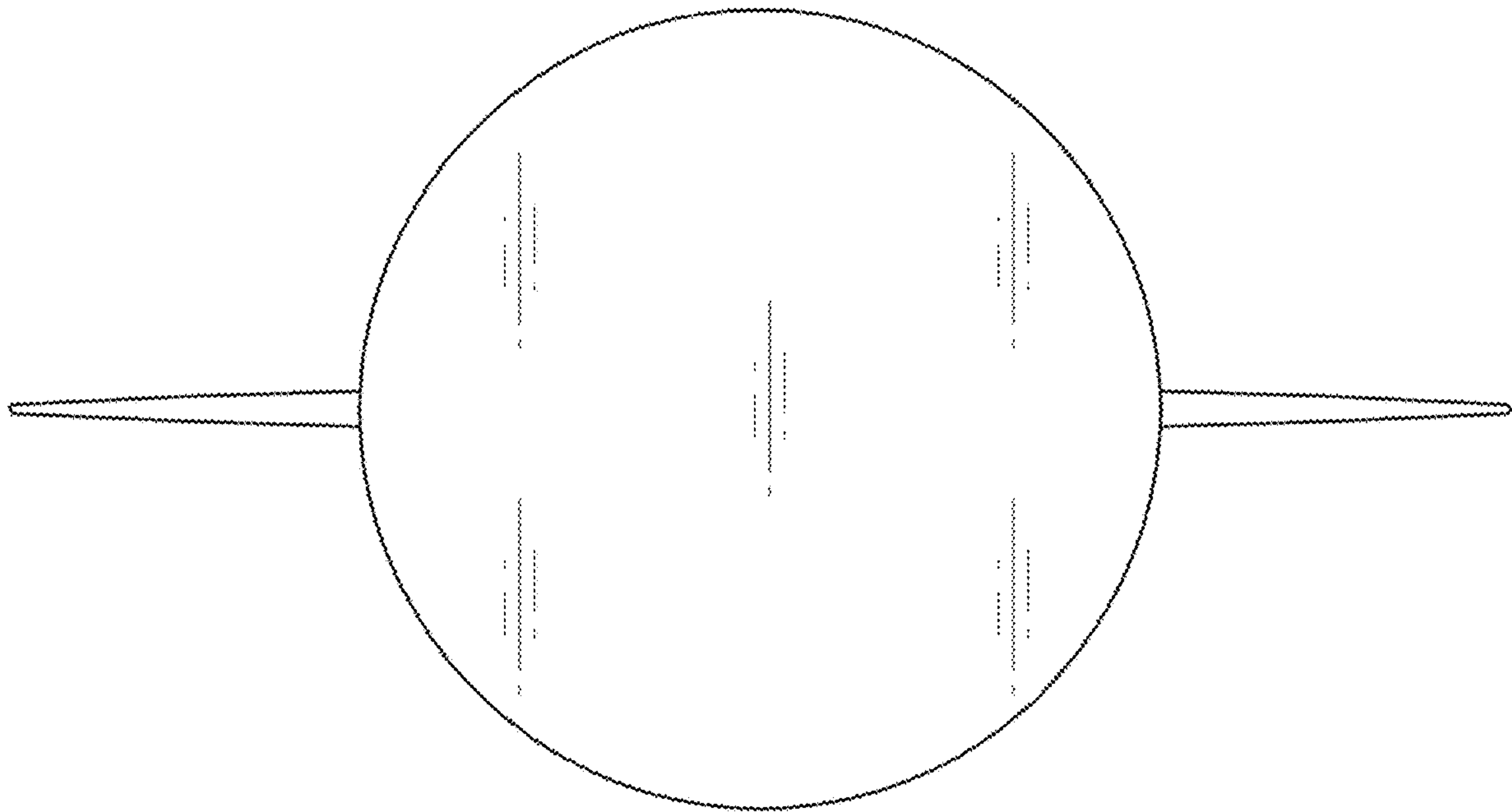


1.4

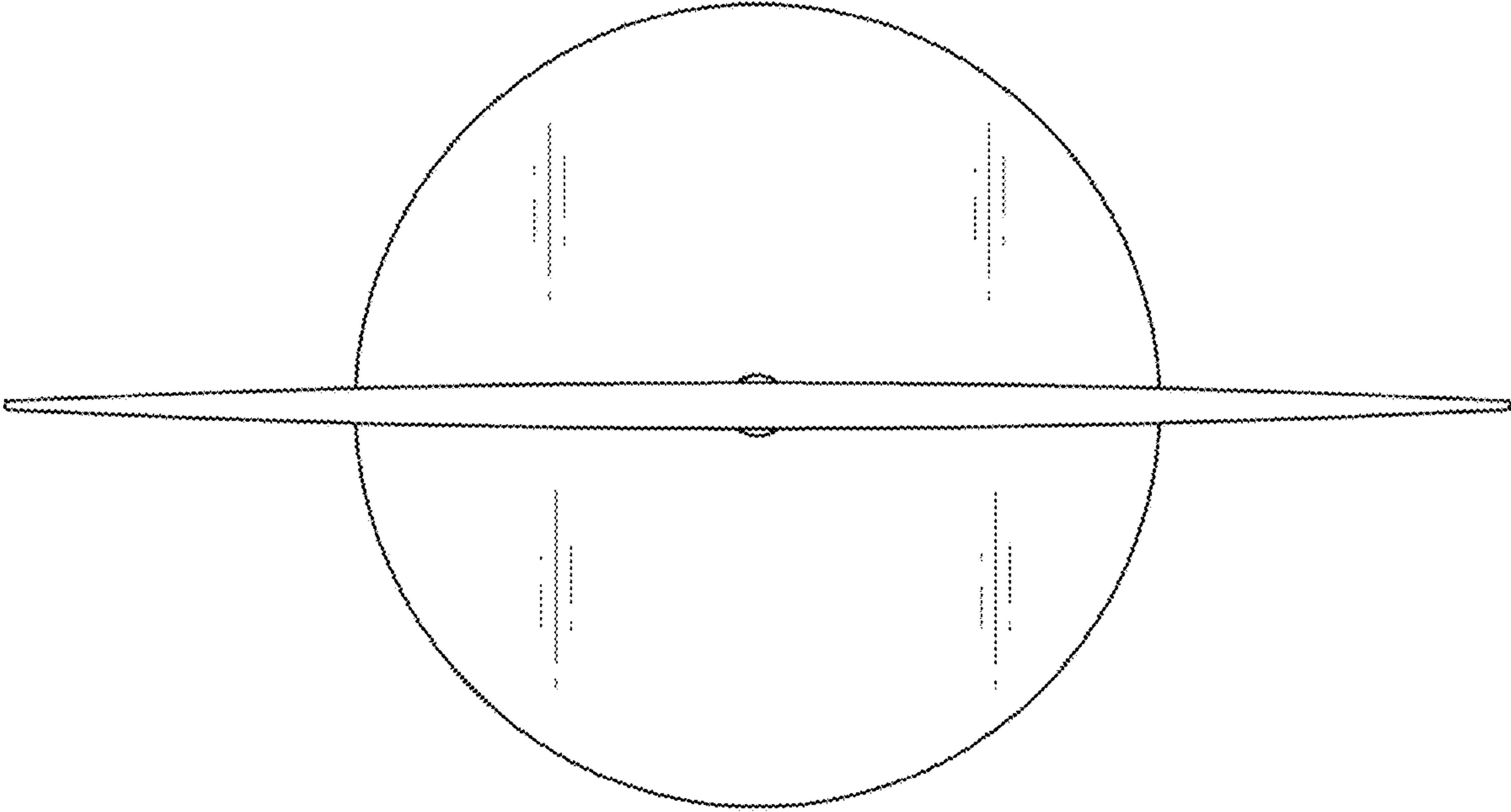




1.6



1.7





1.8

