



US00D807846S

(12) **United States Design Patent**
Kim et al.

(10) **Patent No.:** **US D807,846 S**
(45) **Date of Patent:** **** Jan. 16, 2018**

- (54) **TELEVISION RECEIVER**
- (71) Applicant: **LG ELECTRONICS INC.**, Seoul (KR)
- (72) Inventors: **Byungsoo Kim**, Seoul (KR); **Seongahn Jeon**, Seoul (KR); **Sangho Lee**, Seoul (KR); **Hyuntae Ahn**, Seoul (KR); **Sanggi Kim**, Seoul (KR)
- (73) Assignee: **LG ELECTRONICS INC.**, Seoul (KR)

D732,493 S *	6/2015	Kim	D14/126
D735,686 S *	8/2015	Shin	D14/126
D737,233 S *	8/2015	Son	D14/126
D741,276 S *	10/2015	Shin	D14/126
D741,277 S *	10/2015	Shin	D14/126
D752,002 S *	3/2016	Kim	D14/126
D755,140 S *	5/2016	Kim	D14/126
D758,331 S *	6/2016	Seo	D14/126
D766,860 S *	9/2016	Won	D14/126
D772,833 S *	11/2016	Han	D14/126
D773,419 S *	12/2016	Han	D14/126
D773,422 S *	12/2016	Han	D14/126
D774,483 S *	12/2016	Kim	D14/126

(Continued)

- (**) Term: **15 Years**
- (21) Appl. No.: **35/501,332**
- (22) Filed: **Feb. 3, 2016**

Primary Examiner — Melanie H Tung
Assistant Examiner — Bao-Yen Nguyen
 (74) *Attorney, Agent, or Firm* — Birch, Stewart, Kolasch & Birch, LLP

(80) **Hague Agreement Data**

Int. Filing Date: **Feb. 3, 2016**
 Int. Reg. No.: **DM/089995**
 Int. Reg. Date: **Feb. 3, 2016**
 Int. Reg. Pub. Date: **Aug. 5, 2016**

(57) **CLAIM**

The ornamental design for a television receiver, as shown and described.

(30) **Foreign Application Priority Data**

Aug. 5, 2015 (KR) 30-2015-0039658

(51) **LOC (11) Cl.** **14-03**

(52) **U.S. Cl.**
USPC **D14/126**

(58) **Field of Classification Search**
 USPC D14/125-134, 136, 159, 239, 336, 342,
 D14/371, 374-377, 440, 448, 450;
 D21/329, 515, 577, 622
 CPC ... G06F 1/1601; G06F 1/1643; H05K 5/0004;
 H05K 5/0017; H05K 5/02; H05K 5/0217
 See application file for complete search history.

DESCRIPTION

- 1. Television receiver
- 1.1 : Perspective
- 1.2 : Front
- 1.3 : Back
- 1.4 : Left
- 1.5 : Right
- 1.6 : Top
- 1.7 : Bottom
- 1.8 : Enlarged
- 1.9 : Enlarged

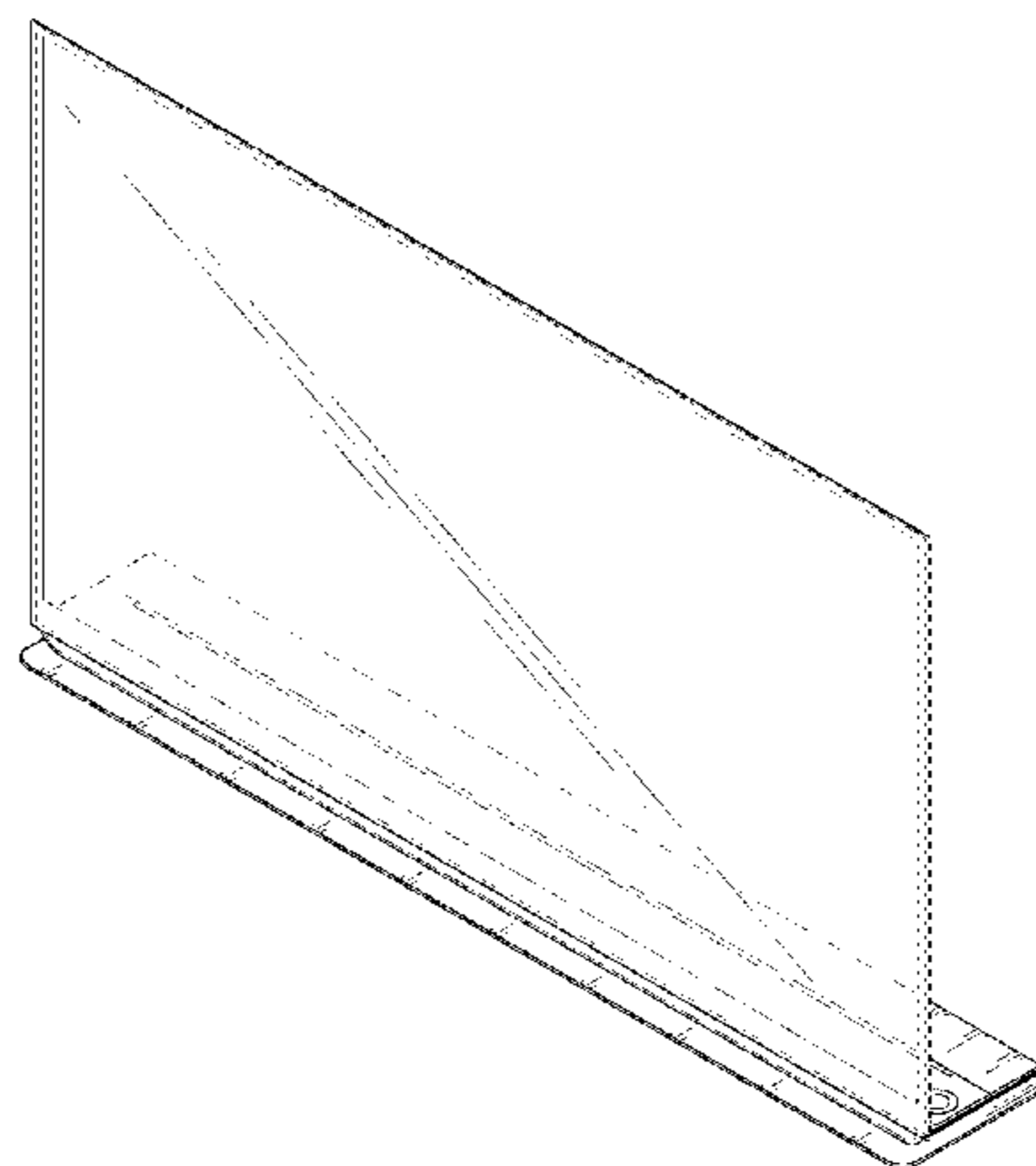
The evenly-spaced broken lines shown in 1.3-1.5, and 1.7 depict portions of the television receiver and form no part of the claimed design. The dash-dot broken lines of 1.8 and 1.9 are included to show partially enlarged views of 1.1 and 1.4 respectively and form no part of the claimed design.

(56) **References Cited**

U.S. PATENT DOCUMENTS

D717,756 S * 11/2014 Park D14/126
 D723,484 S * 3/2015 Hwangbo D14/126

1 Claim, 8 Drawing Sheets



(56)

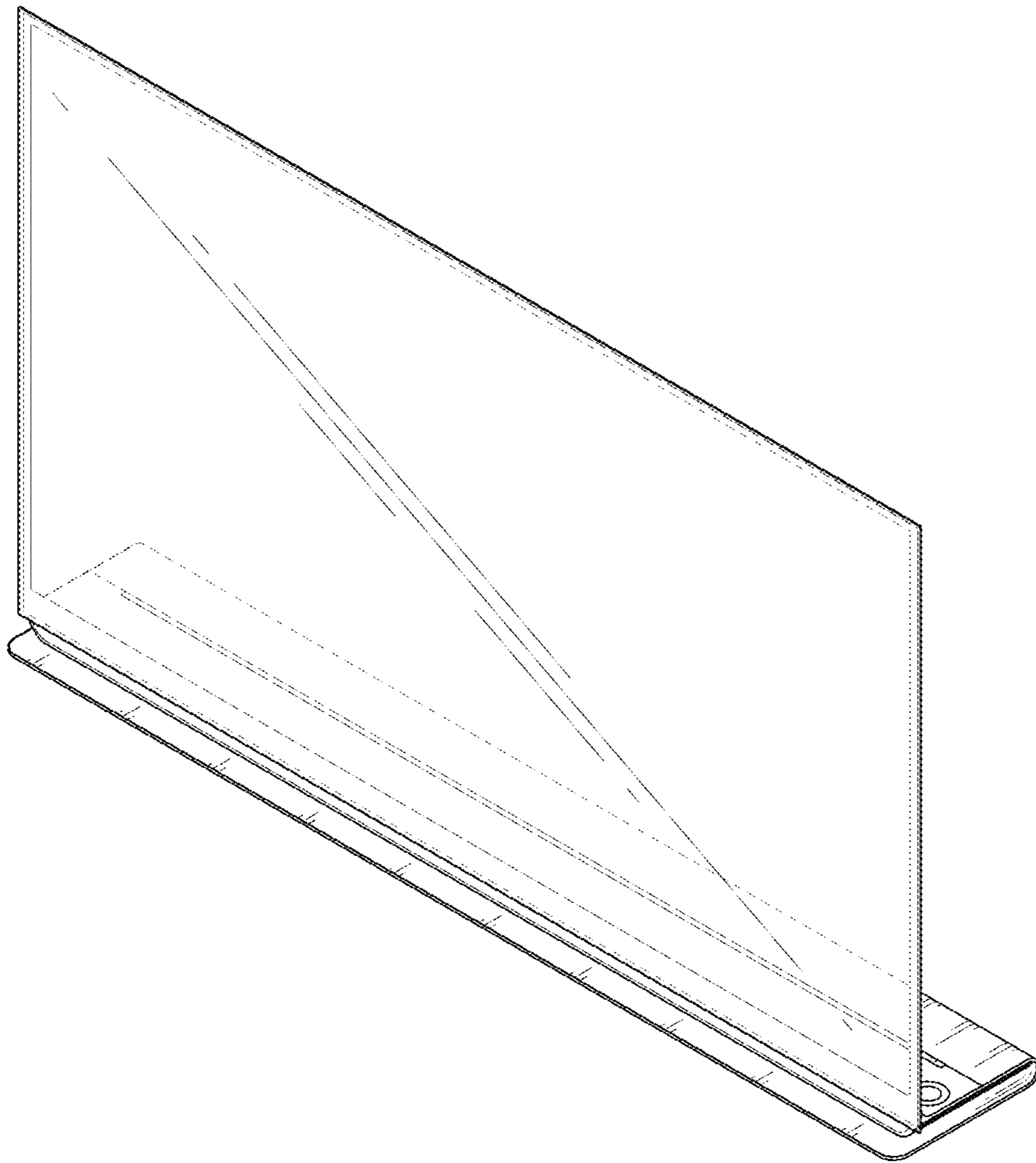
References Cited

U.S. PATENT DOCUMENTS

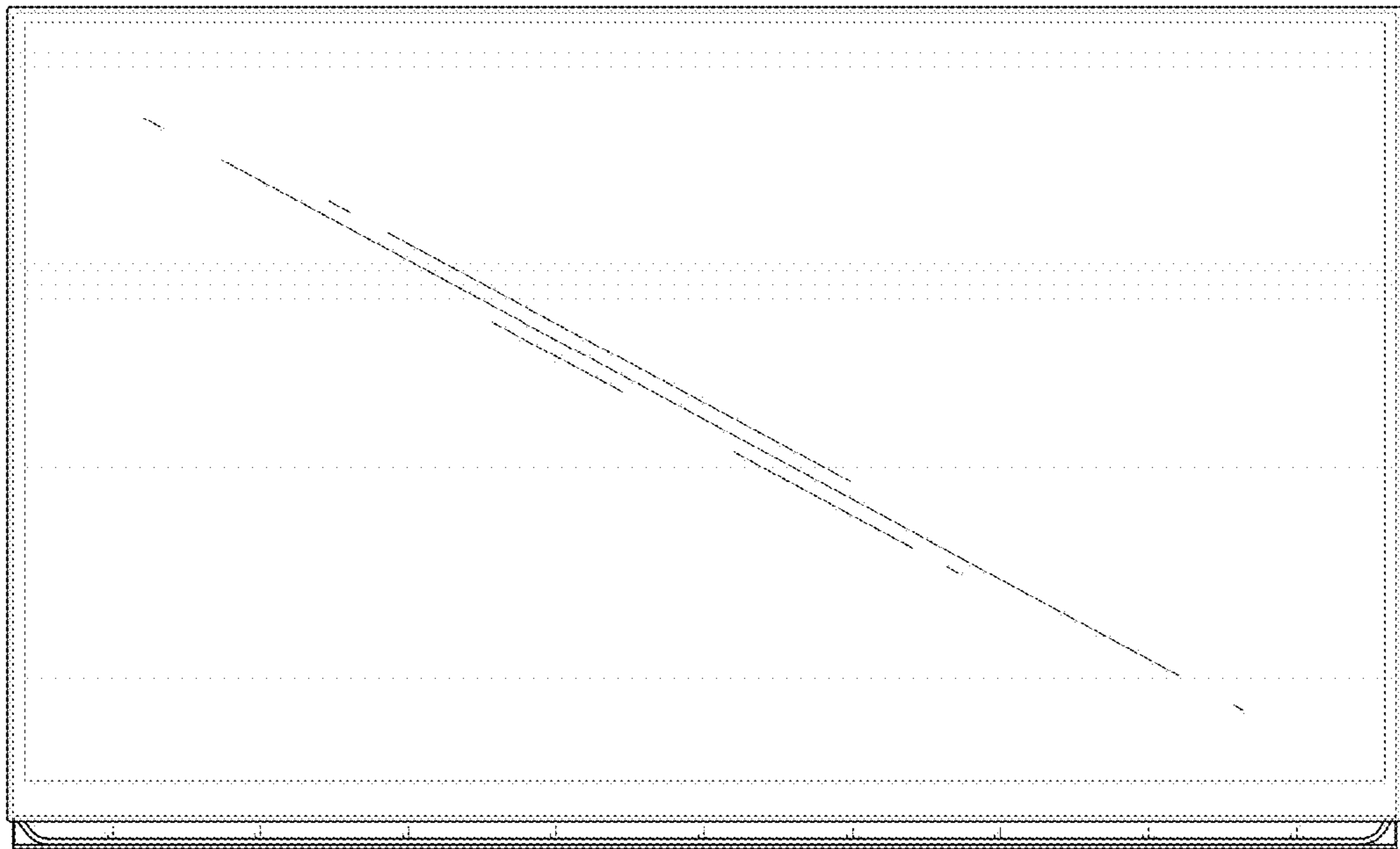
D774,484 S *	12/2016	Han	D14/126
D783,553 S *	4/2017	Kim	D14/126
D790,493 S *	6/2017	Han	D14/126
2016/0131831 A1 *	5/2016	Tomomasa	G02B 6/0031 348/790

* cited by examiner

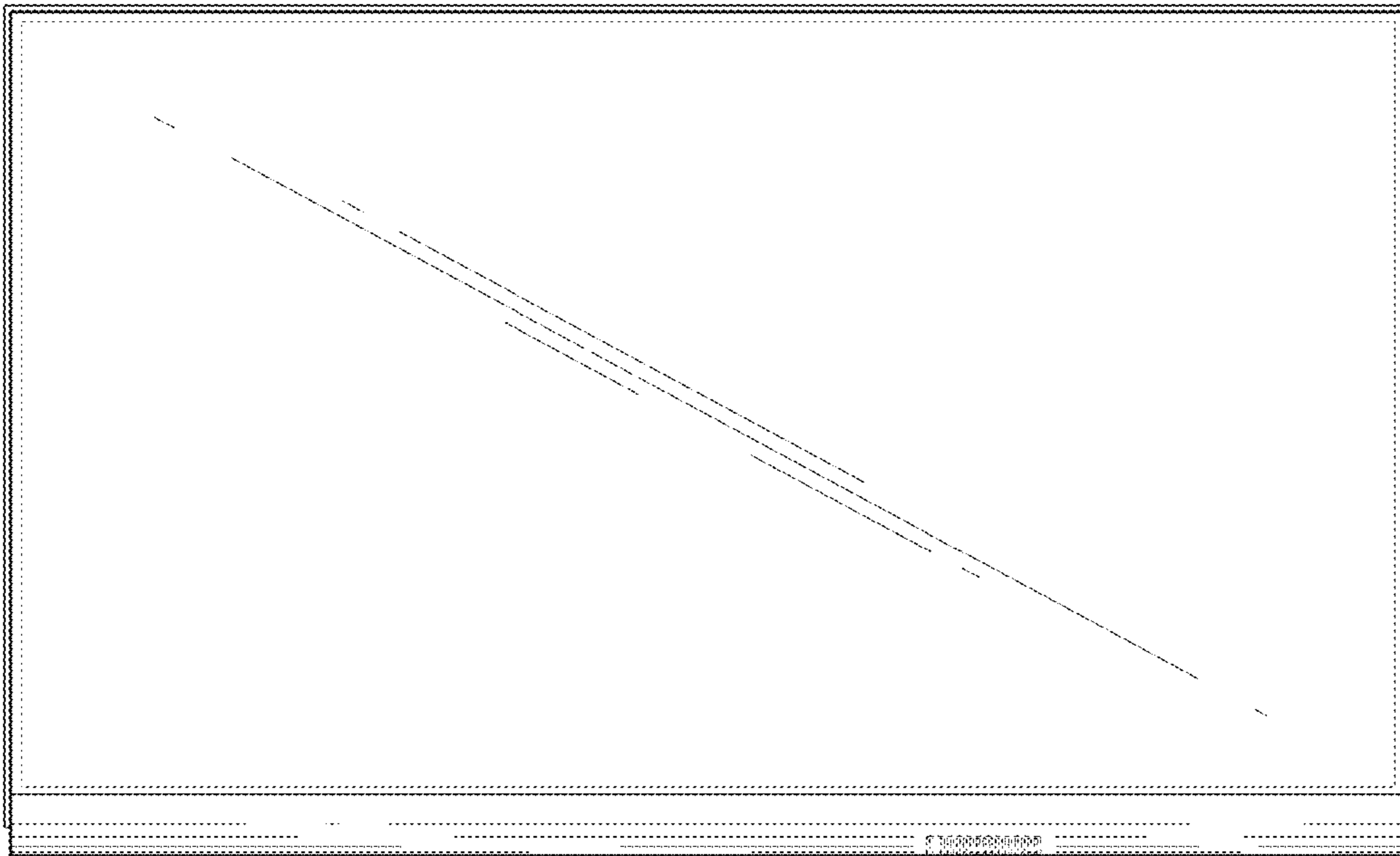
1.1



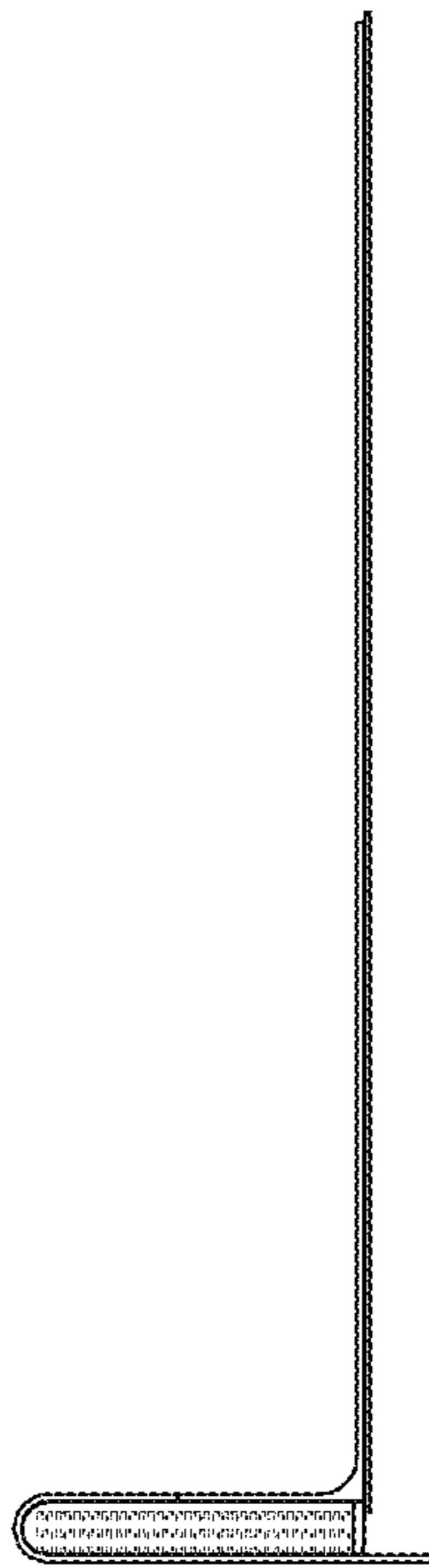
1.2



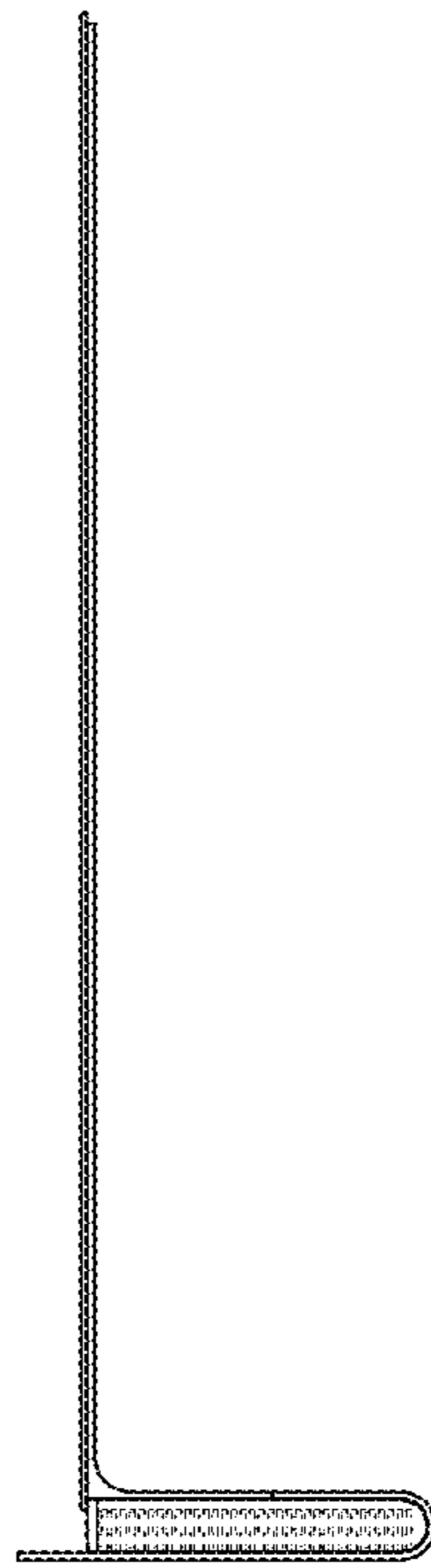
1.3



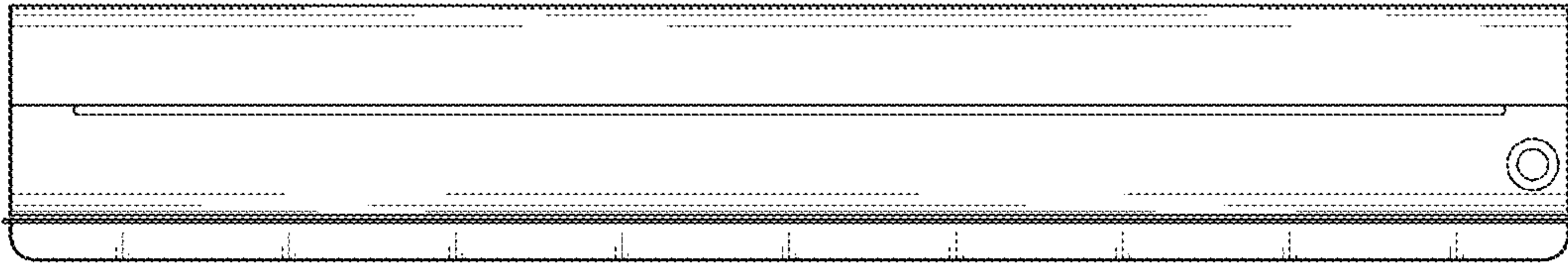
1.4



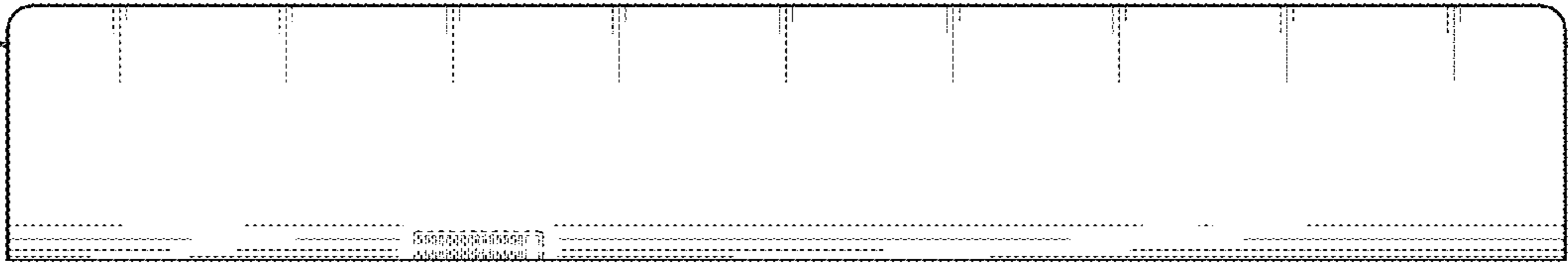
1.5



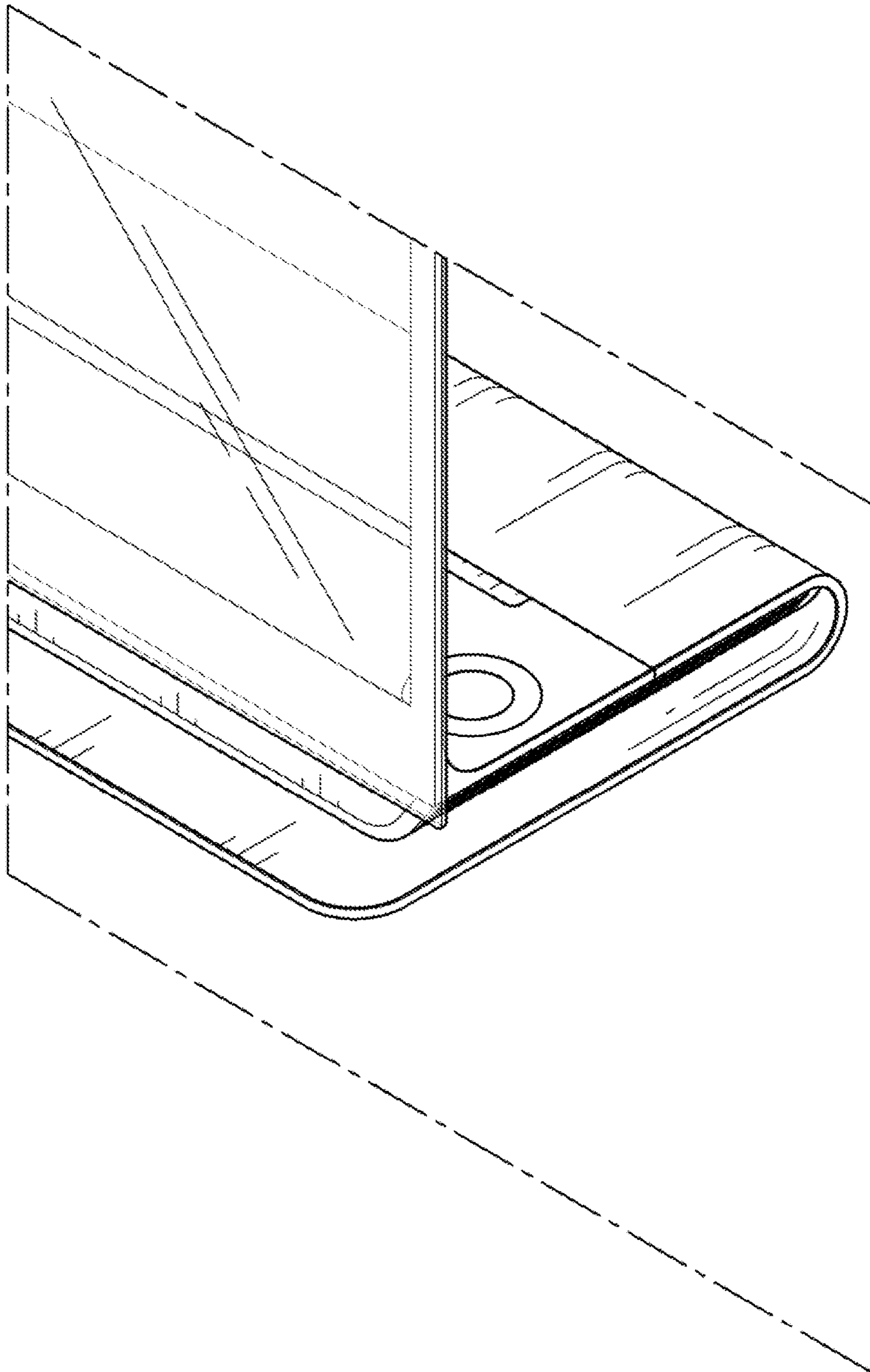
1.6



1.7



1.8



1.9

