



US00D807845S

(12) **United States Design Patent**
Kim et al.

(10) **Patent No.:** **US D807,845 S**
(45) **Date of Patent:** **** Jan. 16, 2018**

(54) **TELEVISION RECEIVER**

(71) Applicant: **LG ELECTRONICS INC.**, Seoul
(KR)

(72) Inventors: **Byungsoo Kim**, Seoul (KR); **Seongahn Jeon**, Seoul (KR); **Hana Kim**, Seoul (KR)

(73) Assignee: **LG ELECTRONICS INC.**, Seoul (KR)

(**) Term: **15 Years**

(21) Appl. No.: **35/501,319**

(22) Filed: **Feb. 3, 2016**

(80) **Hague Agreement Data**

Int. Filing Date: **Feb. 3, 2016**
Int. Reg. No.: **DM/089385**
Int. Reg. Date: **Feb. 3, 2016**
Int. Reg. Pub. Date: **Aug. 5, 2016**

(30) **Foreign Application Priority Data**

Aug. 5, 2015 (KR) 30-2015-0039647

(51) **LOC (11) Cl.** **14-03**

(52) **U.S. Cl.**
USPC **D14/126**

(58) **Field of Classification Search**

USPC D14/125-134, 136, 159, 239, 336, 342,
D14/371, 374-377, 440, 448, 450;
D21/329, 515, 577, 622
CPC ... G06F 1/1601; G06F 1/1643; H05K 5/0004;
H05K 5/0017; H05K 5/02; H05K 5/0217
See application file for complete search history.

(56) **References Cited**

U.S. PATENT DOCUMENTS

D723,487 S * 3/2015 Lee D14/126
D728,496 S * 5/2015 Kim D14/126

D735,709 S * 8/2015 Daniel D14/341
D737,234 S * 8/2015 Kim D14/126
D744,998 S * 12/2015 Ahn D14/341
D758,330 S * 6/2016 Lee D14/126
D766,857 S * 9/2016 Won D14/126
D766,858 S * 9/2016 Lee D14/126
D772,830 S * 11/2016 Kim D14/126
D773,420 S * 12/2016 Kim D14/126
D776,631 S * 1/2017 Kim D14/126

(Continued)

Primary Examiner — Melanie H Tung

Assistant Examiner — Bao-Yen Nguyen

(74) *Attorney, Agent, or Firm* — Birch, Stewart, Kolasch & Birch, LLP

(57) **CLAIM**

The ornamental design for a television receiver, as shown and described.

DESCRIPTION

1. Television receiver

1.1 : Perspective

1.2 : Front

1.3 : Back

1.4 : Left

1.5 : Right

1.6 : Top

1.7 : Bottom

1.8 : Perspective

1.9 : Front

1.10 : Back

1.11 : Left

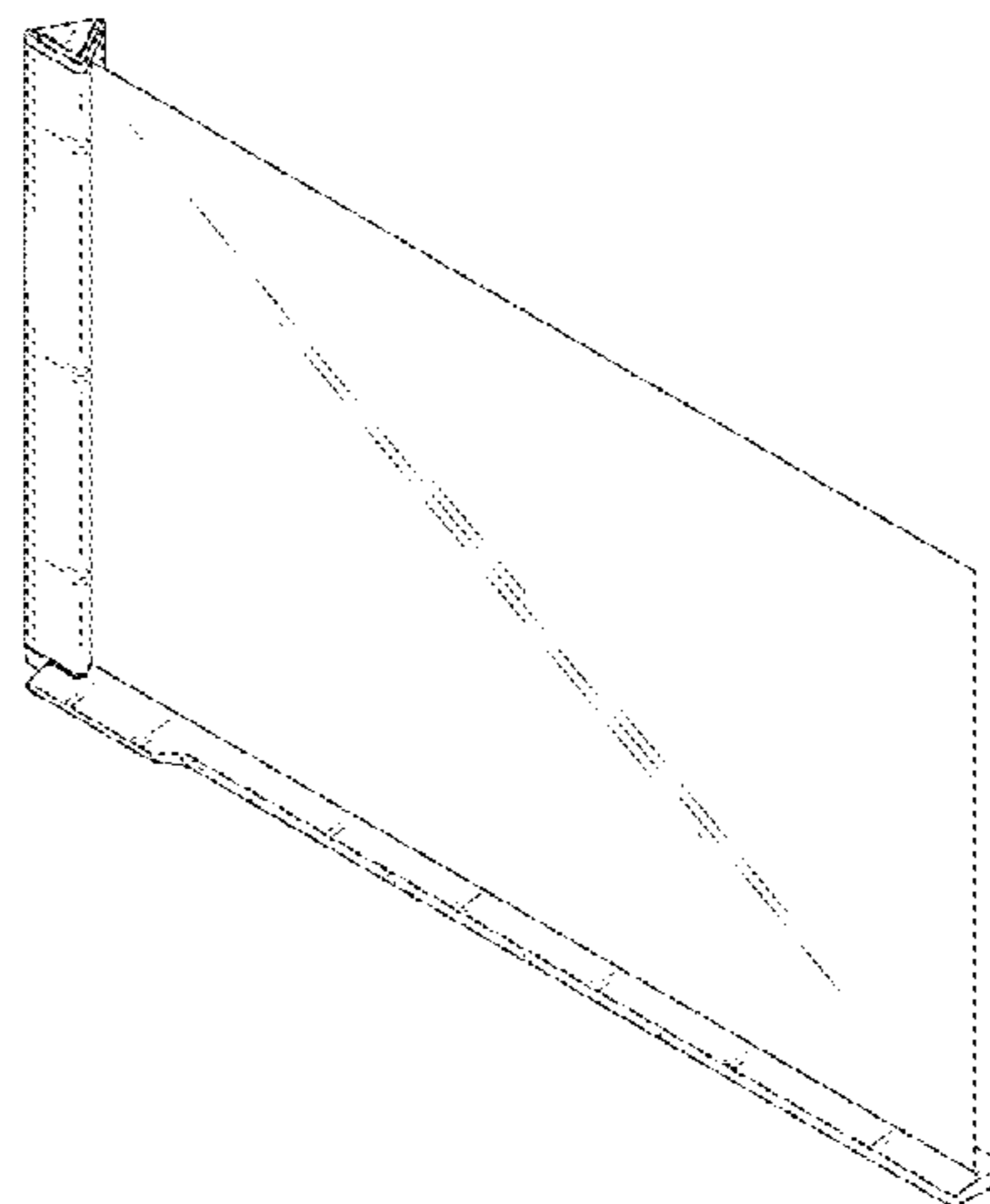
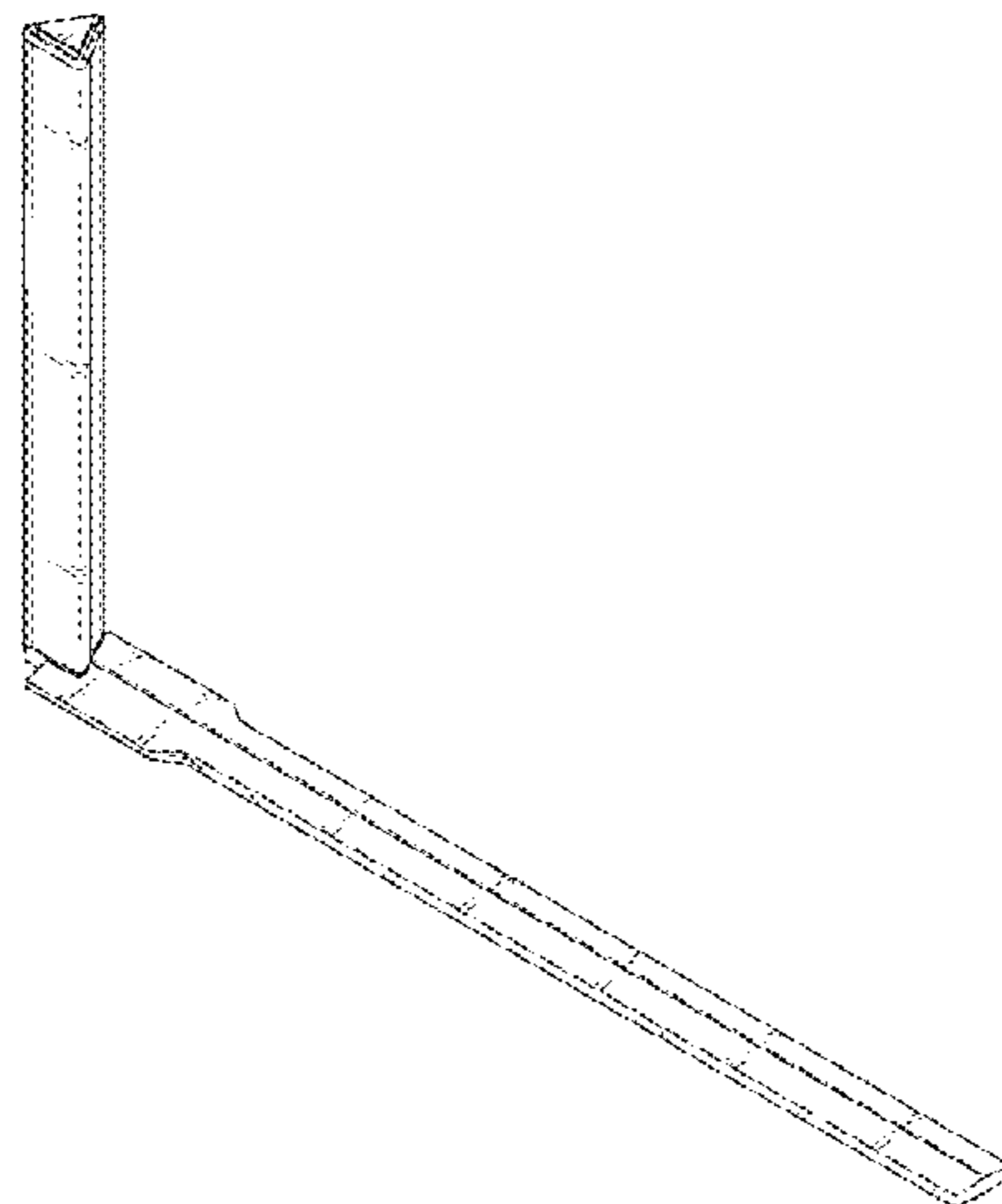
1.12 : Right

1.13 : Top

1.14 : Bottom

Figures 1.1-1.14 show one (1) design. The subject design is characterized by a rollable display. Figures 1.1-1.7 show the unused state of the subject design with the display unit rolled and unexposed. Figures 1.8-1.14 show the use state of the subject design with the display unit fully exposed.

1 Claim, 14 Drawing Sheets



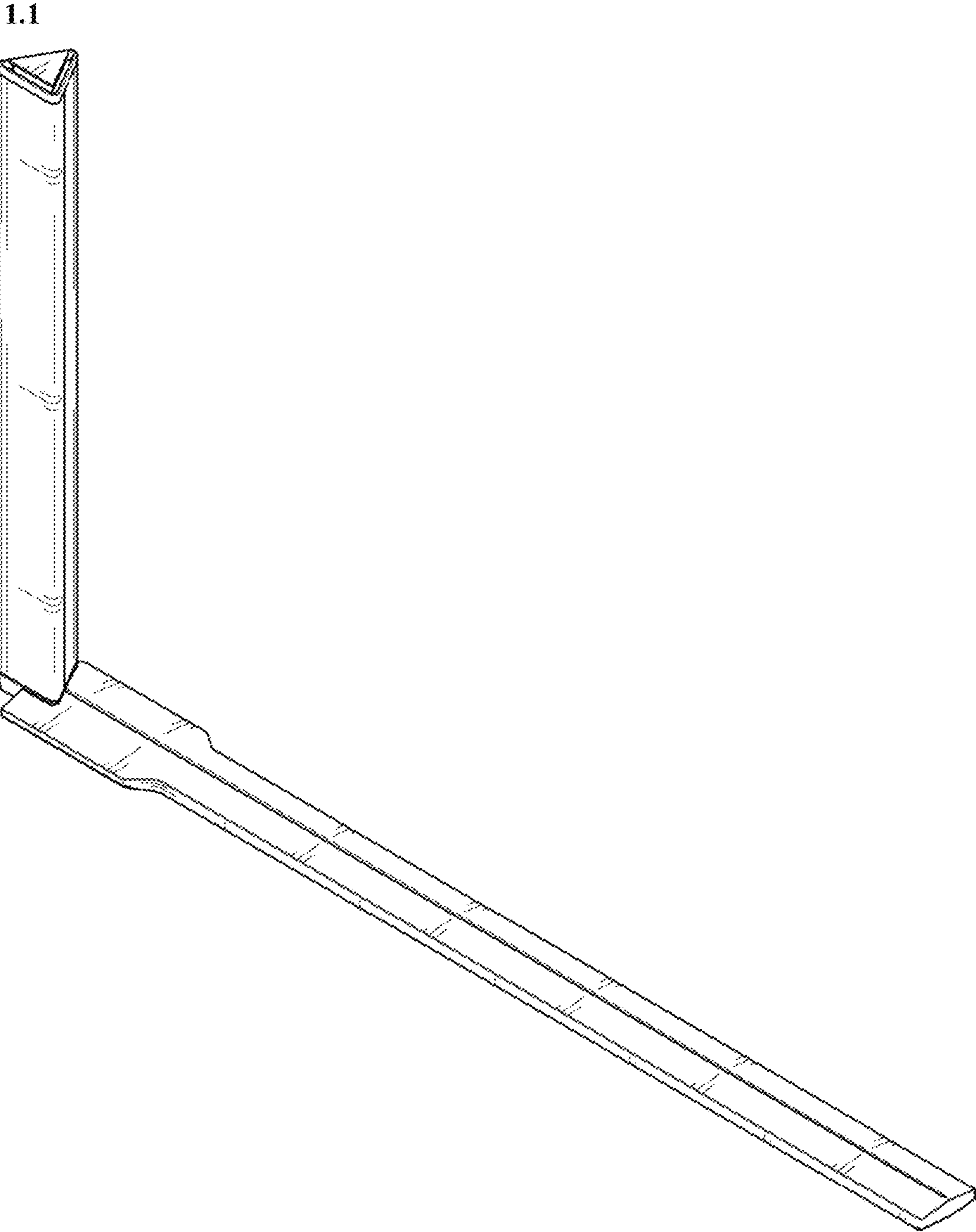
(56)

References Cited

U.S. PATENT DOCUMENTS

D778,858 S *	2/2017	Kim	D14/126
D778,859 S *	2/2017	Kim	D14/126
D778,860 S *	2/2017	Kim	D14/126
D785,582 S *	5/2017	Lee	D14/126
D786,814 S *	5/2017	Lee	D14/126
D789,900 S *	6/2017	Lee	D14/126
2008/0212271 A1 *	9/2008	Misawa	G02F 1/133305 361/679.01
2014/0213324 A1 *	7/2014	Tan	H04M 1/0268 455/566

* cited by examiner



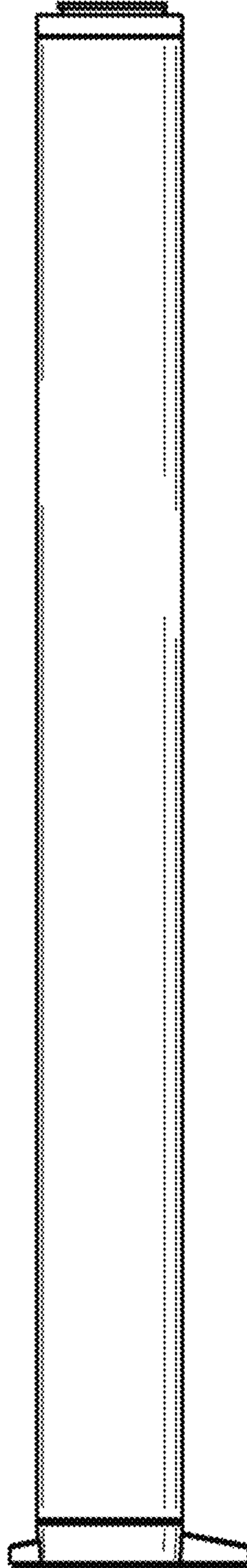
1.2



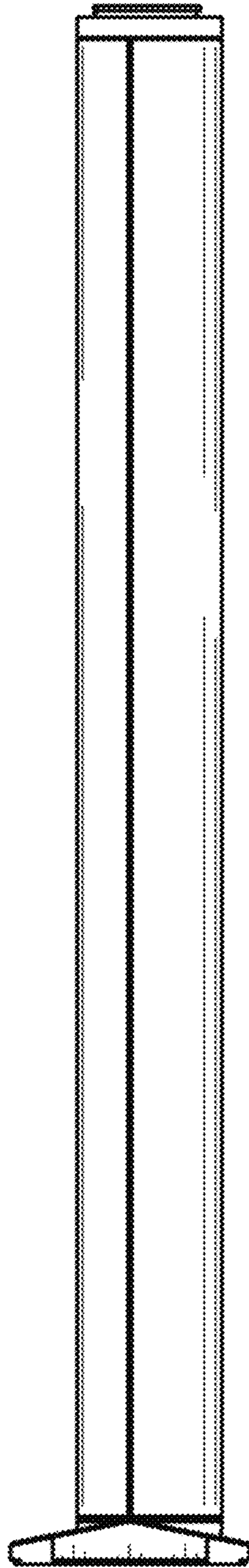
1.3



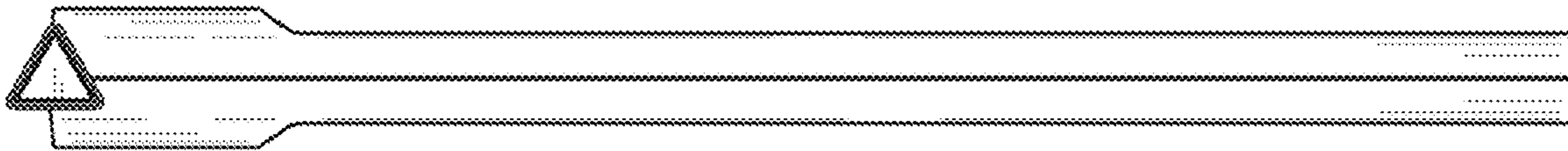
1.4



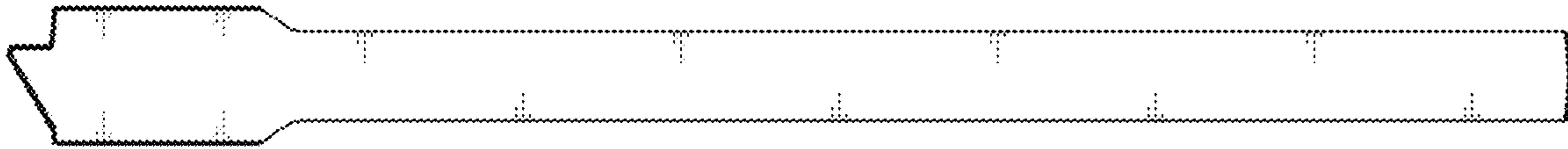
1.5



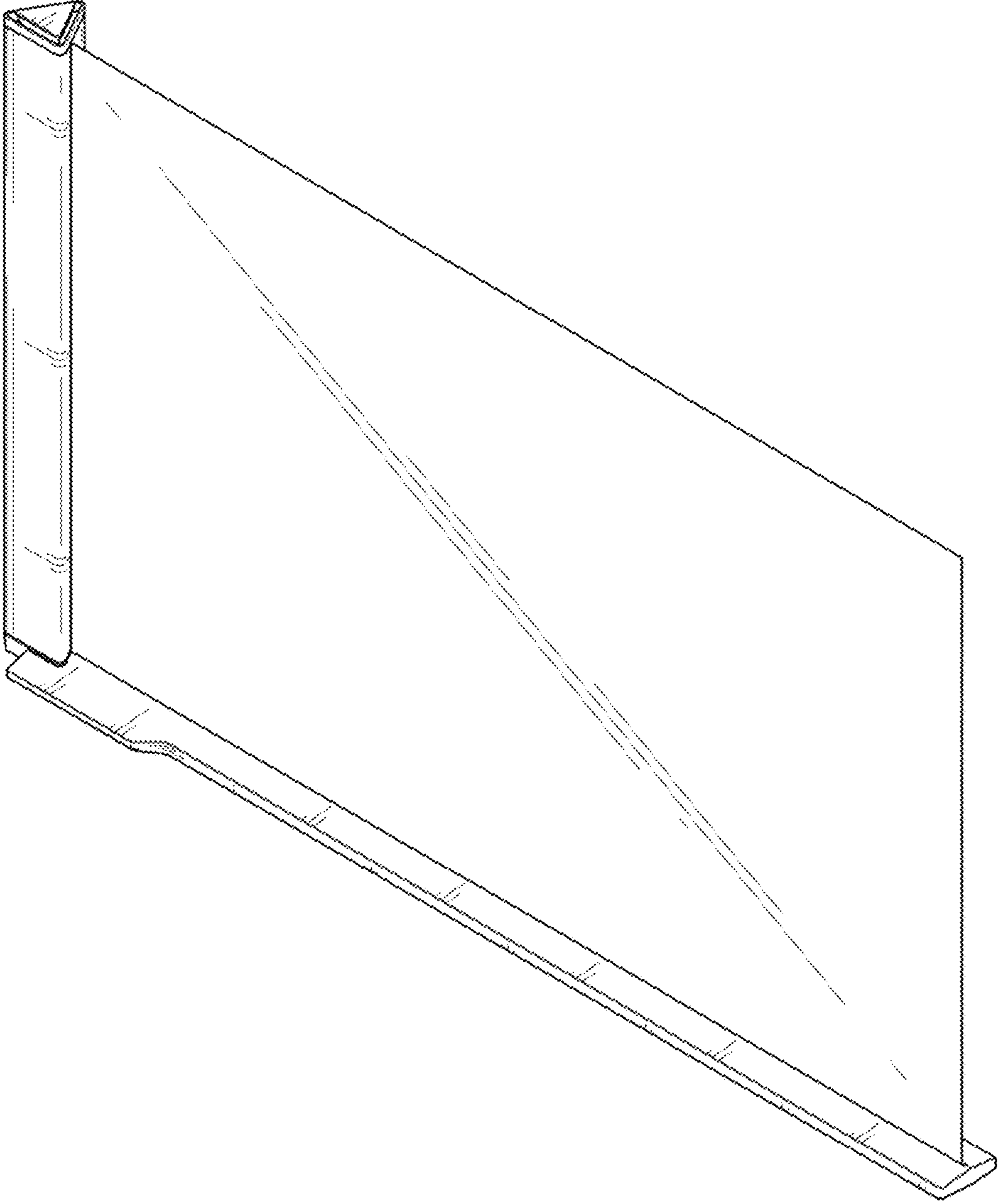
1.6



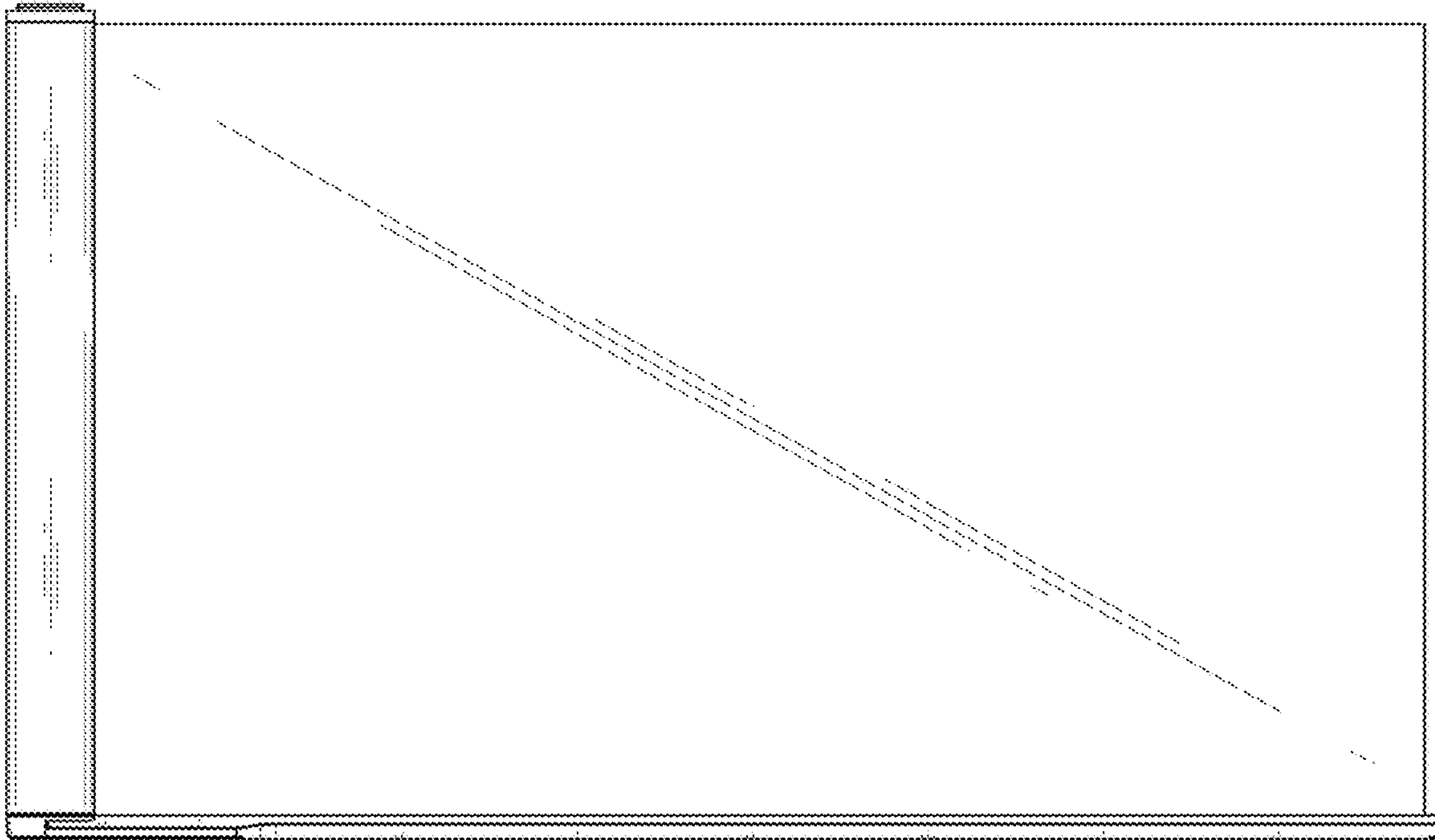
1.7



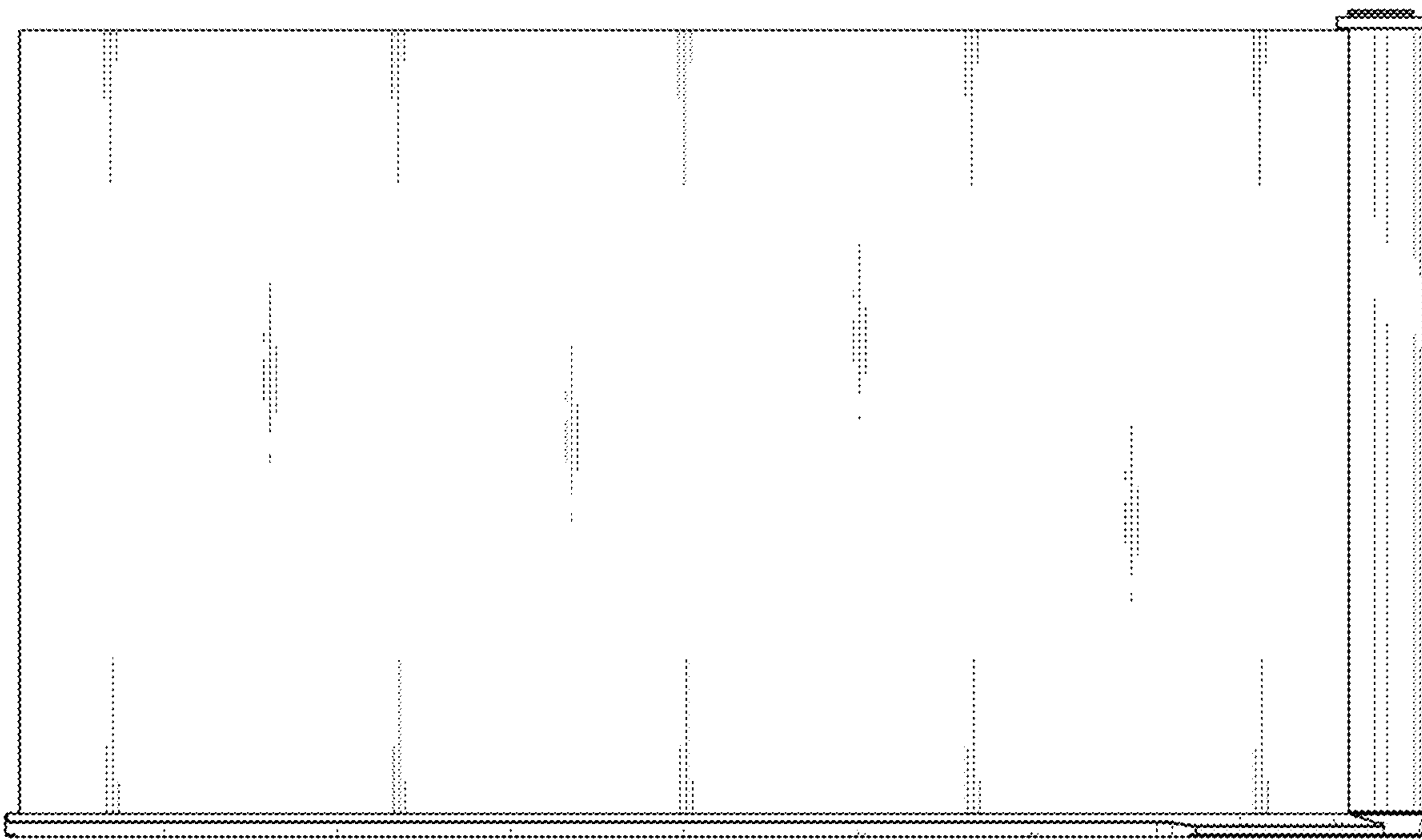
1.8



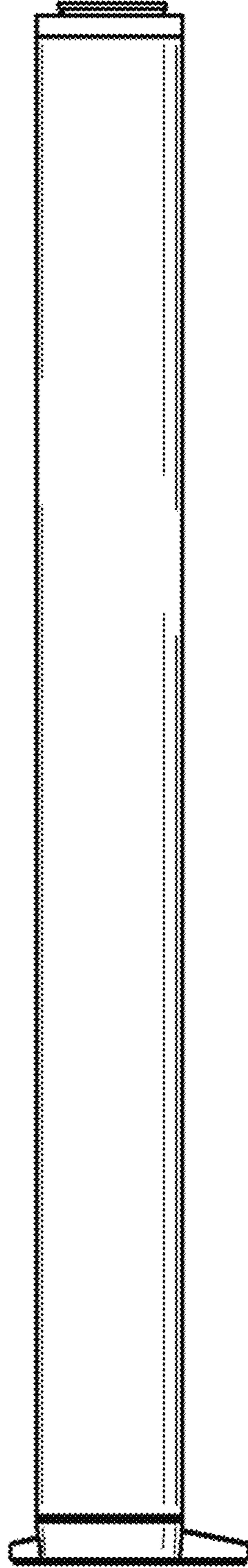
1.9



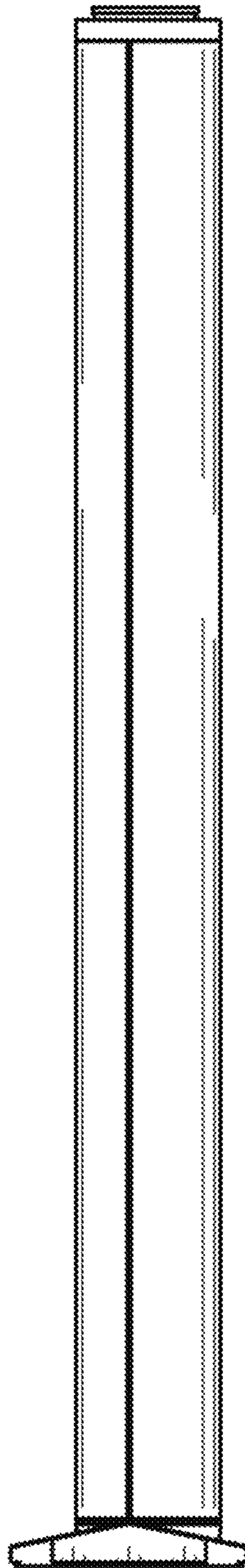
1.10



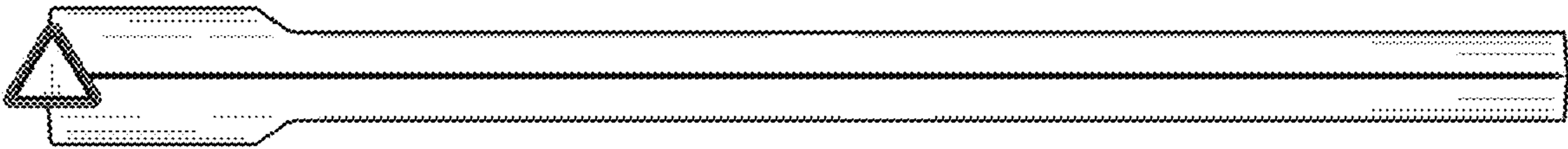
1.11



1.12



1.13



1.14

