



US00D807844S

(12) **United States Design Patent**
Kim et al.

(10) **Patent No.:** **US D807,844 S**
(45) **Date of Patent:** **** Jan. 16, 2018**

(54) **TELEVISION RECEIVER WITH ROLLABLE DISPLAY**

D14/440, 448, 450, 496, 138 R, 138 AA,
D14/138 G, 147, 203.1–203.7, 247, 388,
D14/389; D6/300–310; D16/241;
(Continued)

(71) Applicant: **LG ELECTRONICS INC.**, Seoul
(KR)

(56) **References Cited**

(72) Inventors: **Byungsoo Kim**, Seoul (KR); **Seongahn Jeon**, Seoul (KR); **Hana Kim**, Seoul (KR)

U.S. PATENT DOCUMENTS

D269,685 S * 7/1983 Lansdowne D20/15
D596,219 S * 7/2009 Tatara D16/241
D609,263 S * 2/2010 Tatara D16/241
(Continued)

(73) Assignee: **LG ELECTRONICS INC.**, Seoul
(KR)

Primary Examiner — Mary Ann Calabrese
Assistant Examiner — Jennifer L Rempfer
(74) *Attorney, Agent, or Firm* — Birch, Stewart, Kolasch & Birch, LLP

(**) Term: **15 Years**

(57) **CLAIM**

(21) Appl. No.: **35/501,318**

The ornamental design for a television receiver with rollable display, as shown and described.

(22) Filed: **Feb. 3, 2016**

DESCRIPTION

(80) **Hague Agreement Data**

Int. Filing Date: **Feb. 3, 2016**
Int. Reg. No.: **DM/089381**
Int. Reg. Date: **Feb. 3, 2016**
Int. Reg. Pub. Date: **Aug. 5, 2016**

1. Television receiver with rollable display
- 1.1 : Perspective
- 1.2 : Front
- 1.3 : Back
- 1.4 : Left
- 1.5 : Right
- 1.6 : Top
- 1.7 : Bottom
- 1.8 : Perspective
- 1.9 : Front
- 1.10 : Back
- 1.11 : Left
- 1.12 : Right
- 1.13 : Top
- 1.14 : Bottom
- 1.15 : Perspective
- 1.16 : Front
- 1.17 : Back
- 1.18 : Left
- 1.19 : Right

(30) **Foreign Application Priority Data**

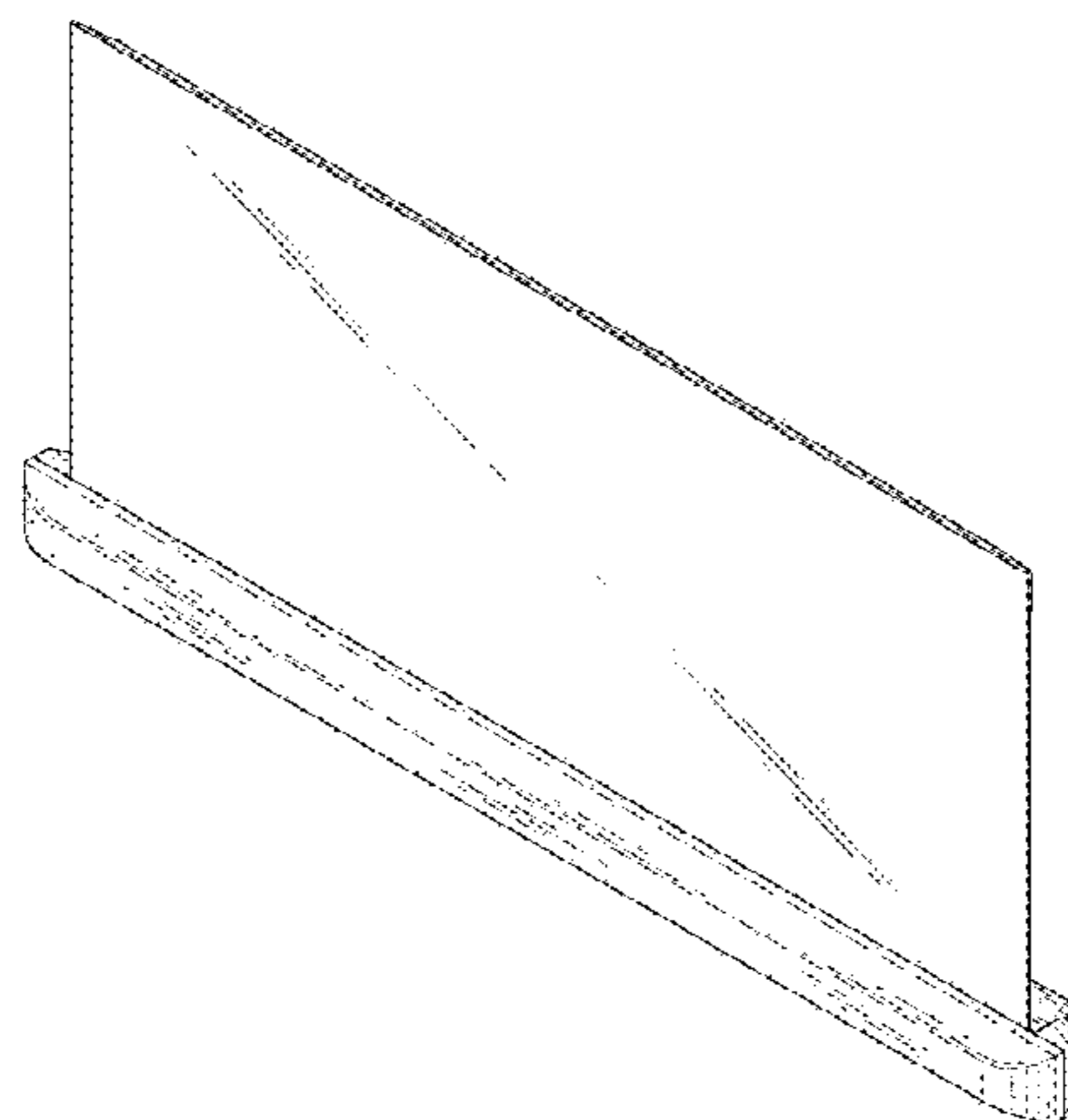
Aug. 5, 2015 (KR) 30-2015-0039642

(51) **LOC (11) Cl.** **14-03**

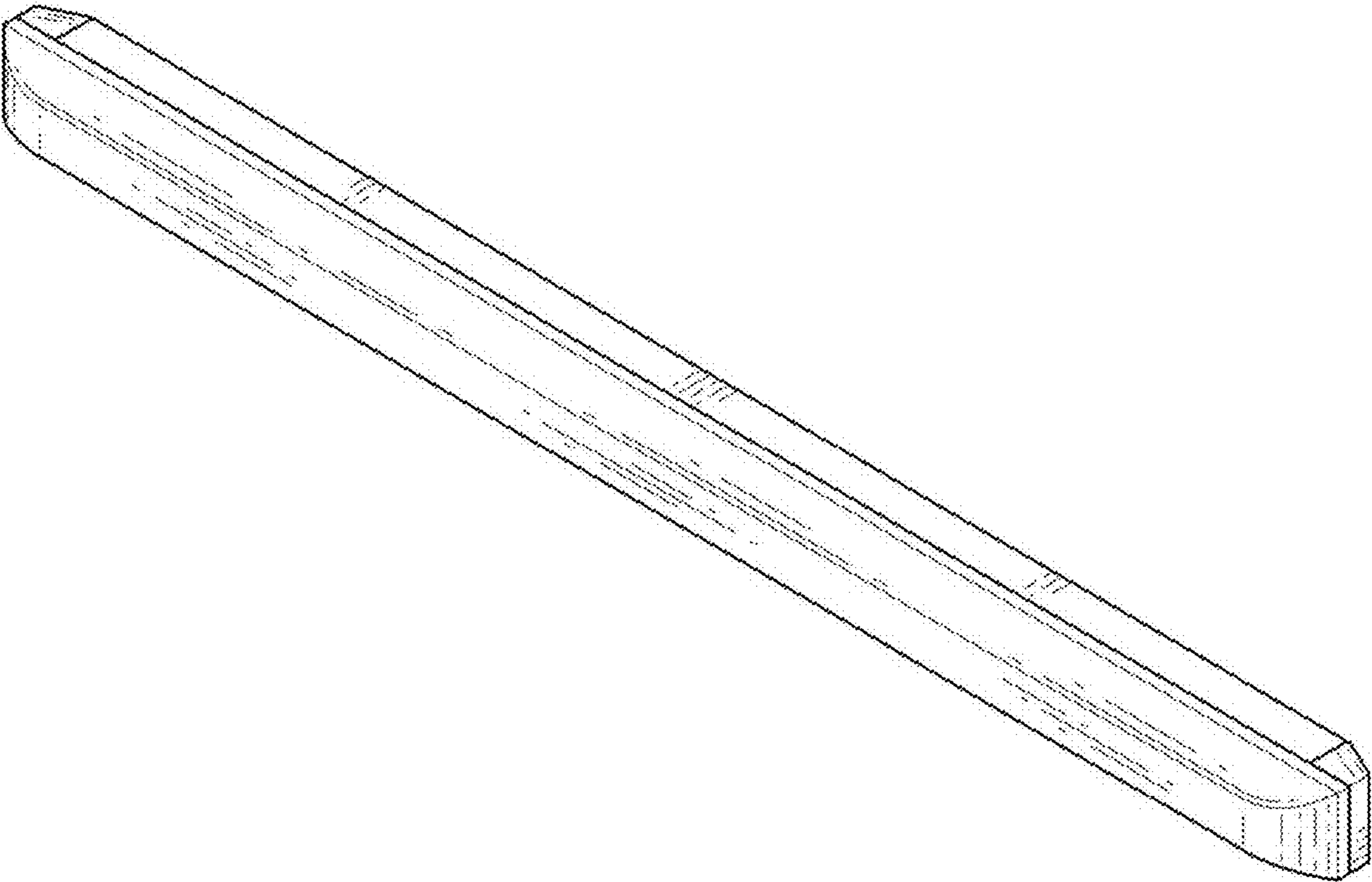
(52) **U.S. Cl.**
USPC **D14/126**

(58) **Field of Classification Search**
USPC D14/125–134, 159, 239, 341, 342, 346,
D14/347, 336, 371, 374–377, 420, 426,

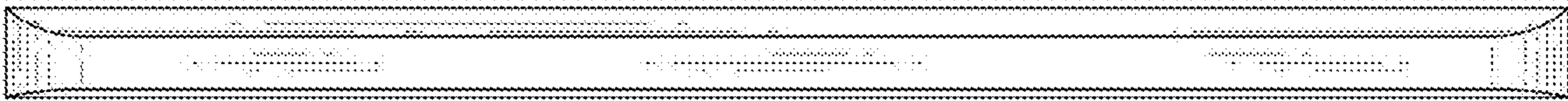
(Continued)



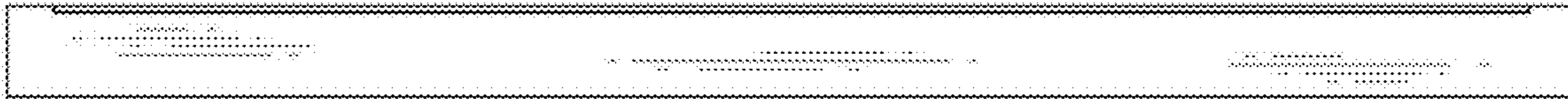
1.1



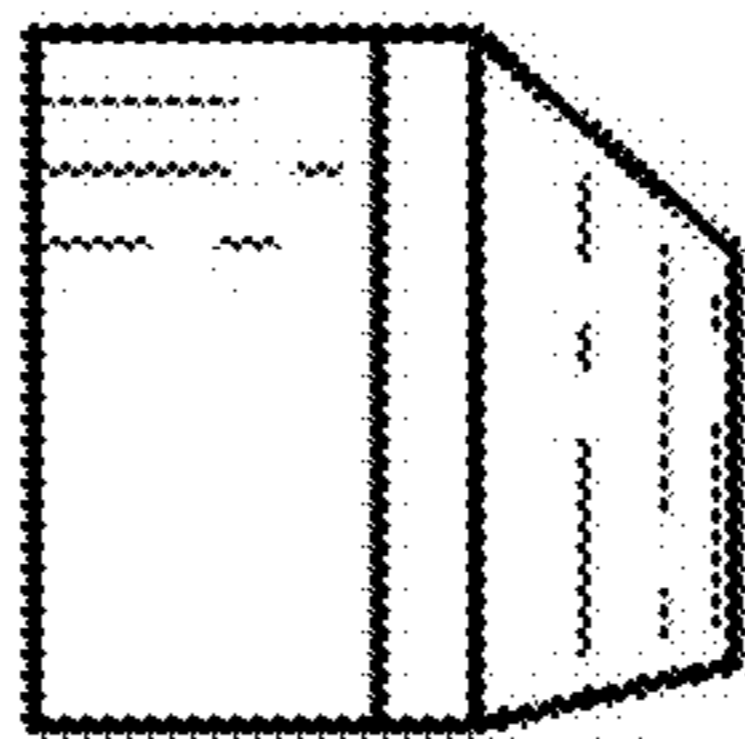
1.2



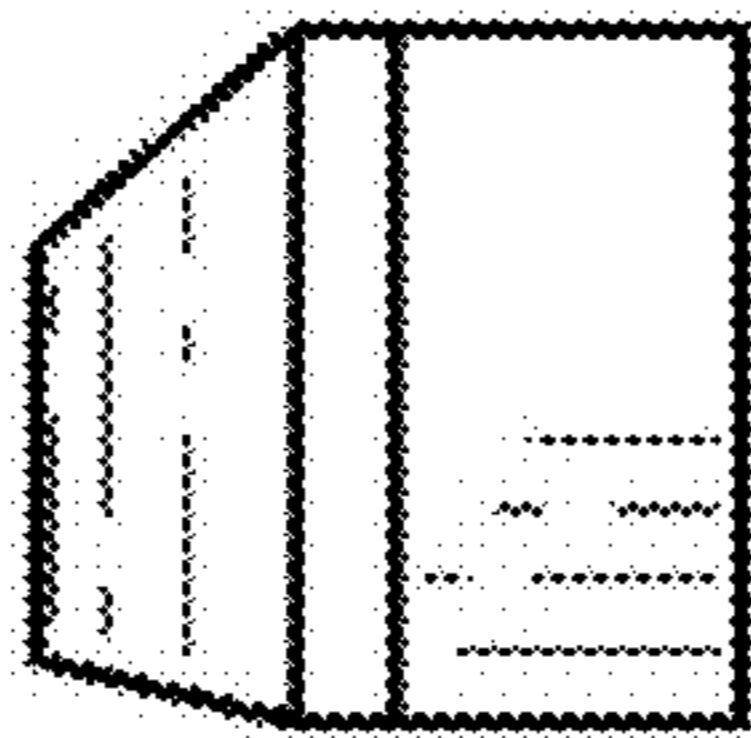
1.3



1.4



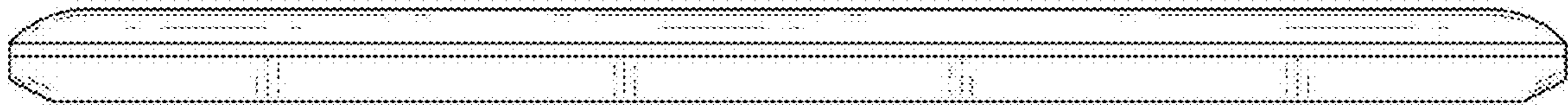
1.5



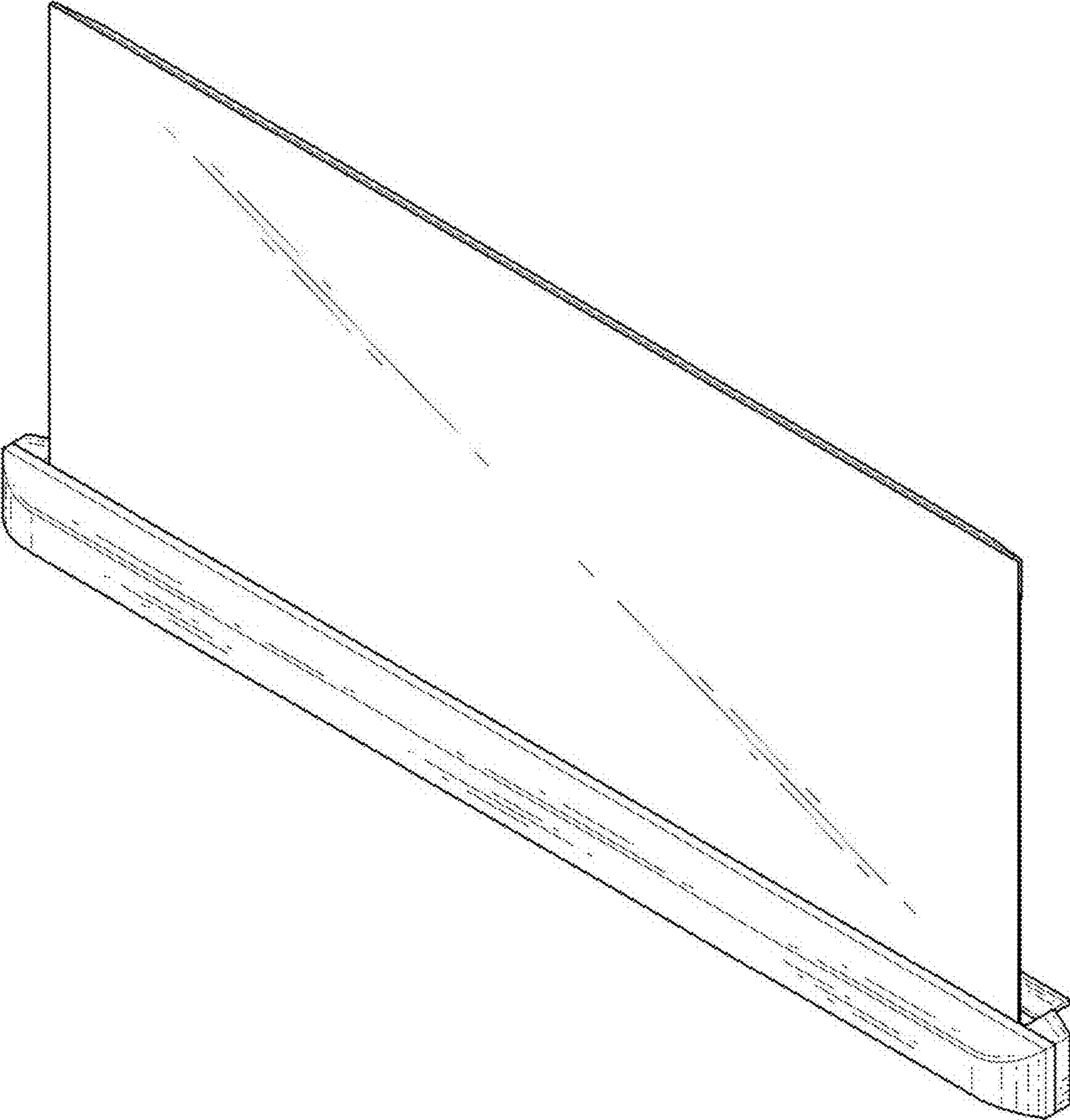
1.6



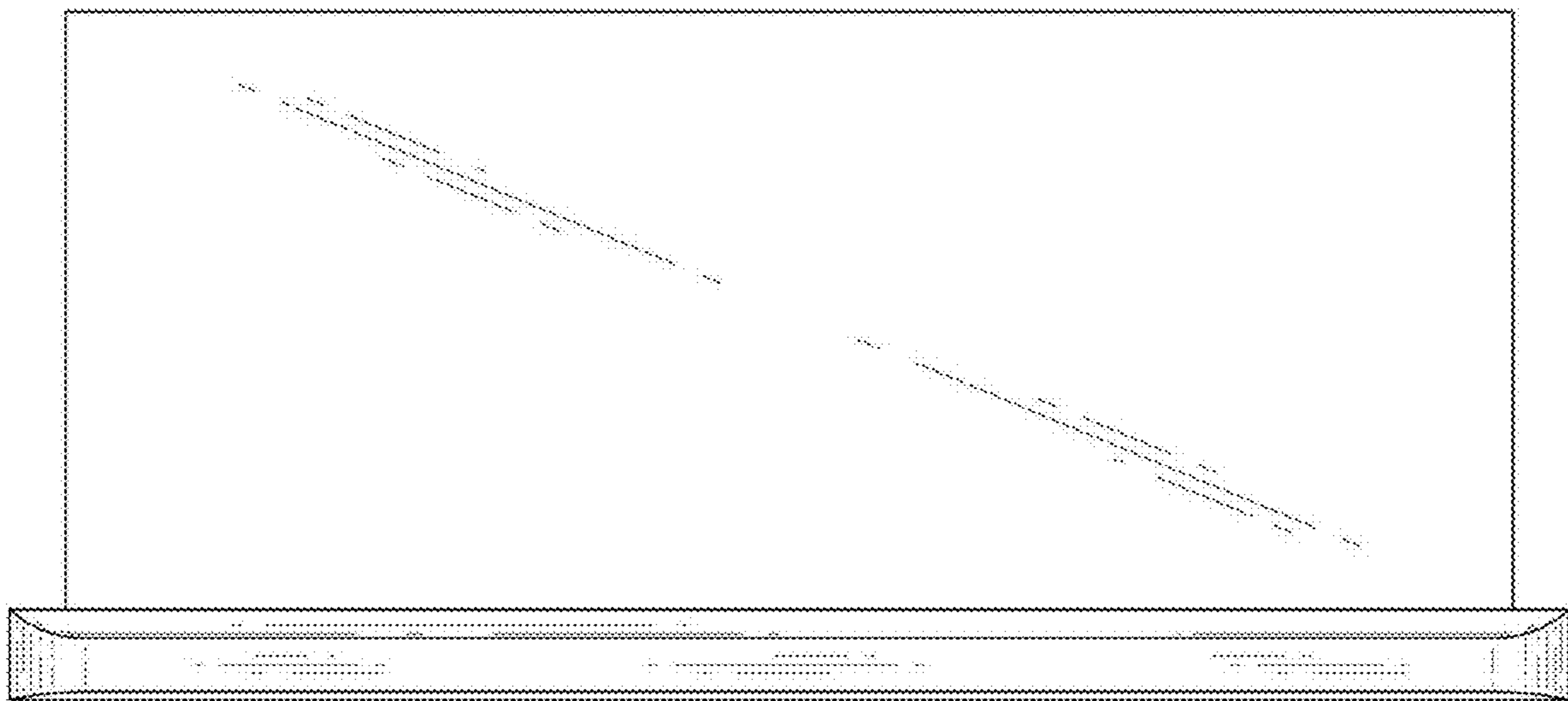
1.7



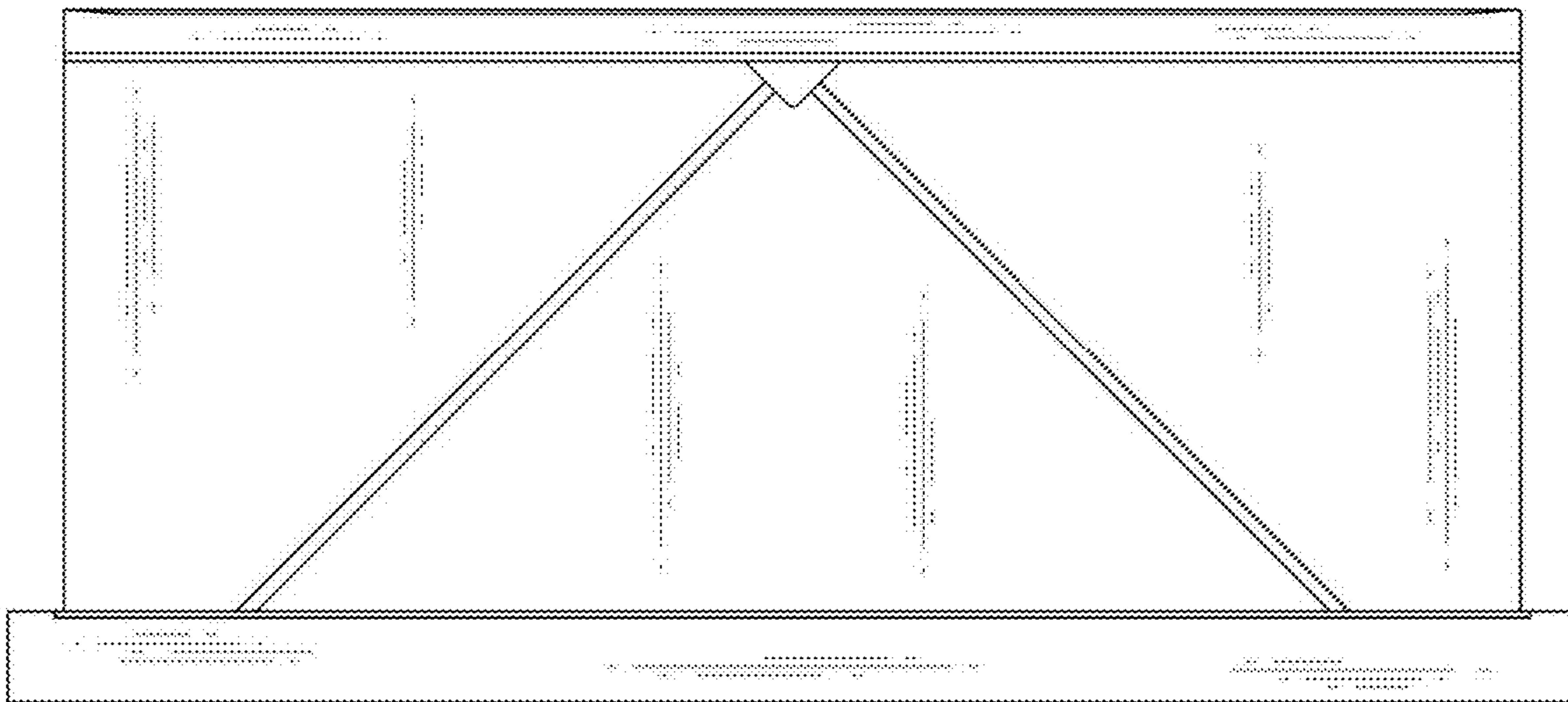
1.8



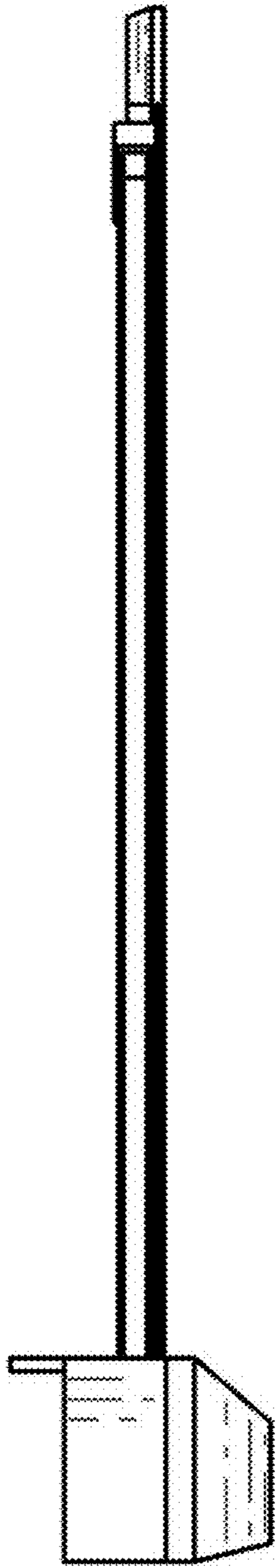
1.9



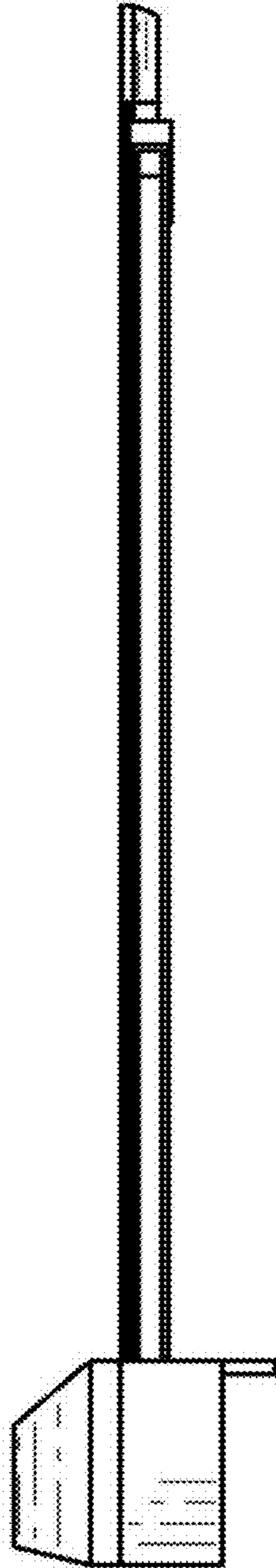
1.10



1.11



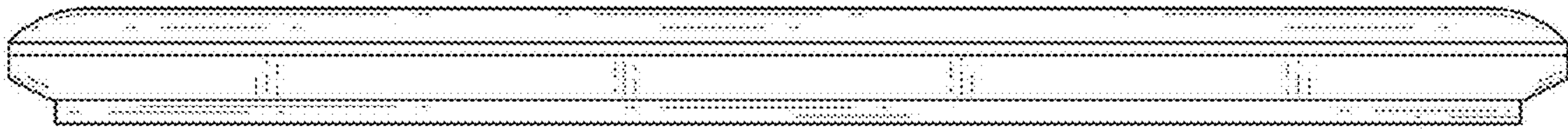
1.12

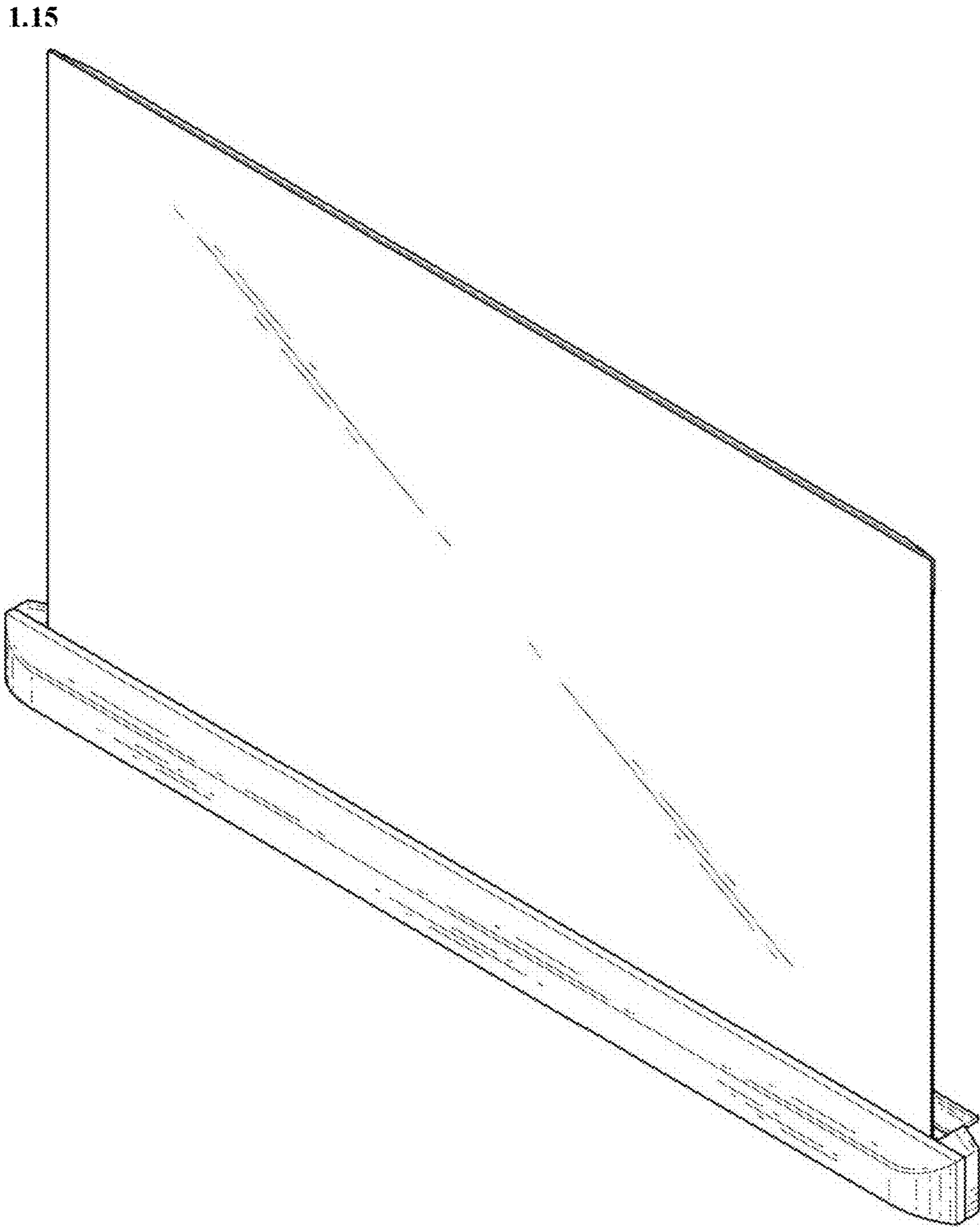


1.13

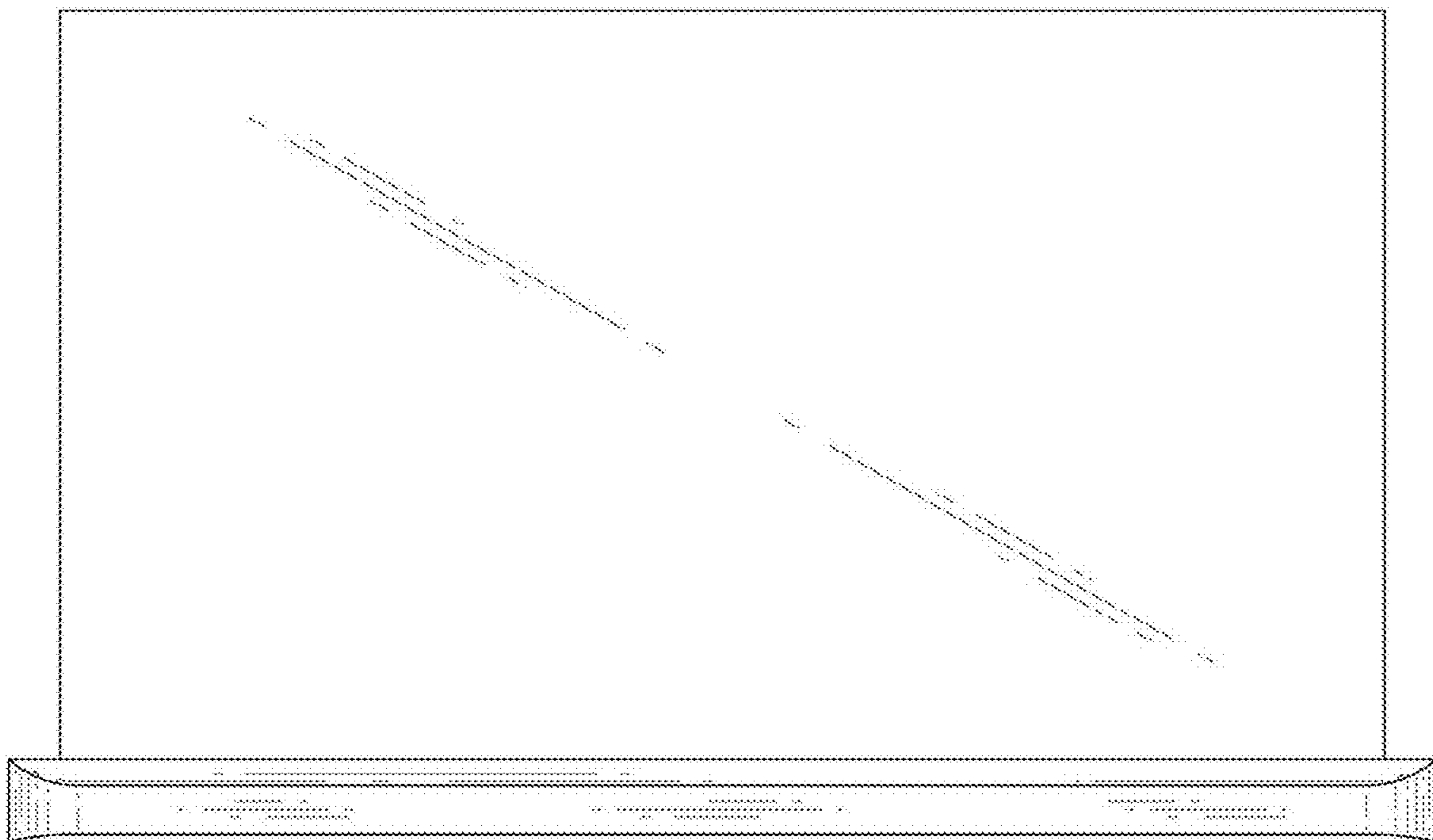


1.14

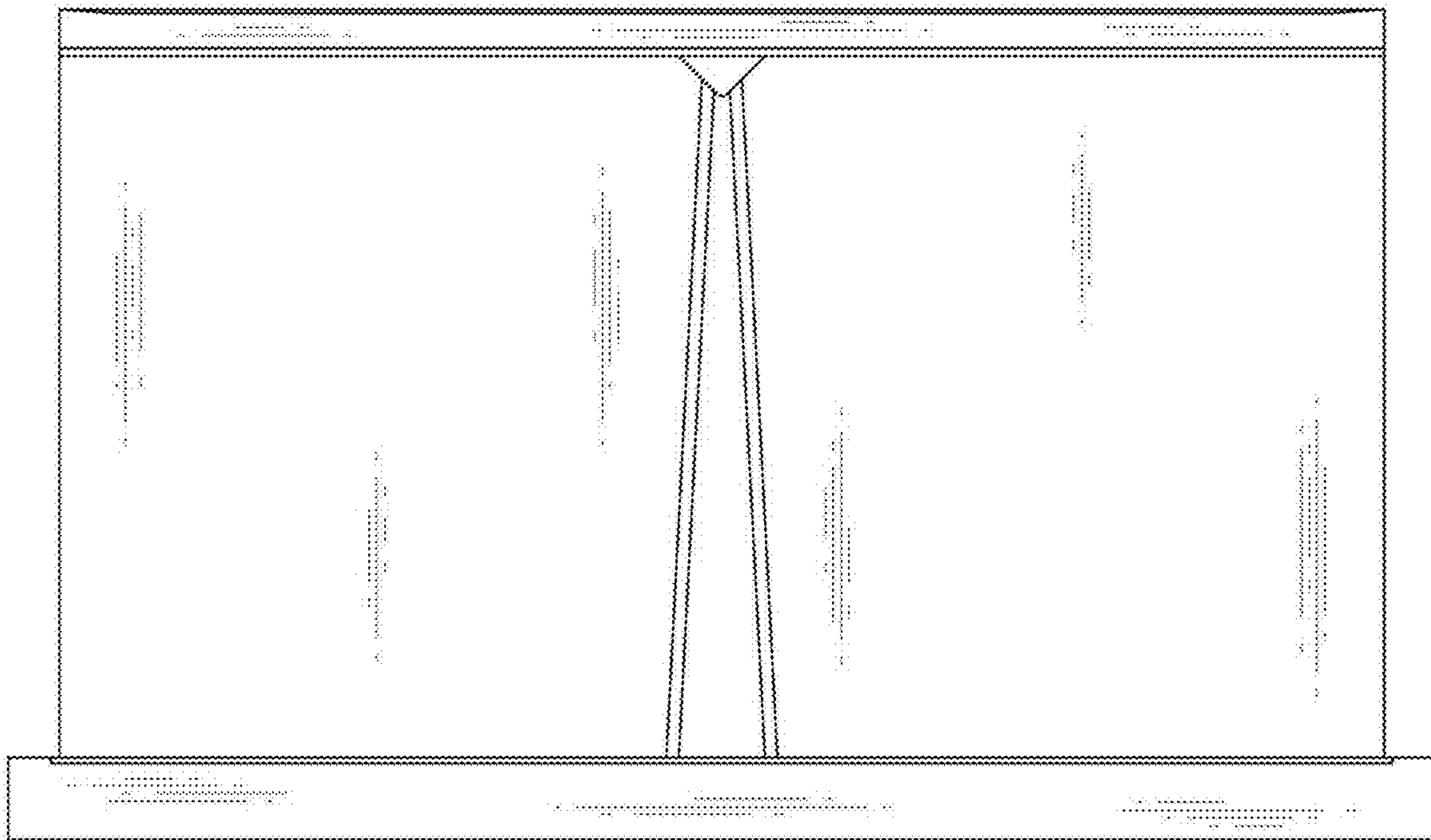




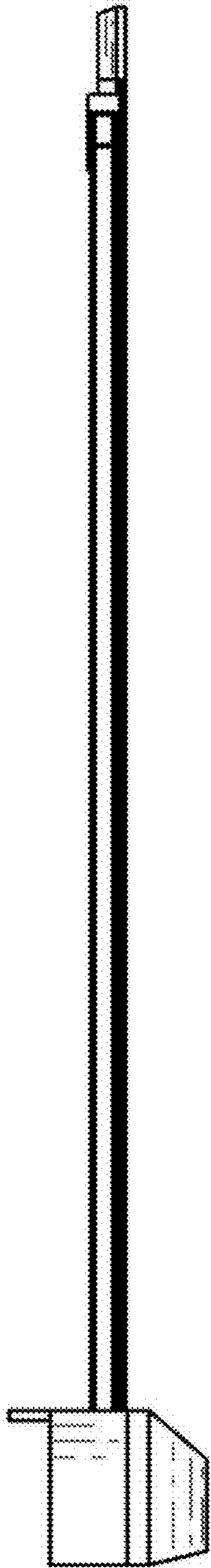
1.16



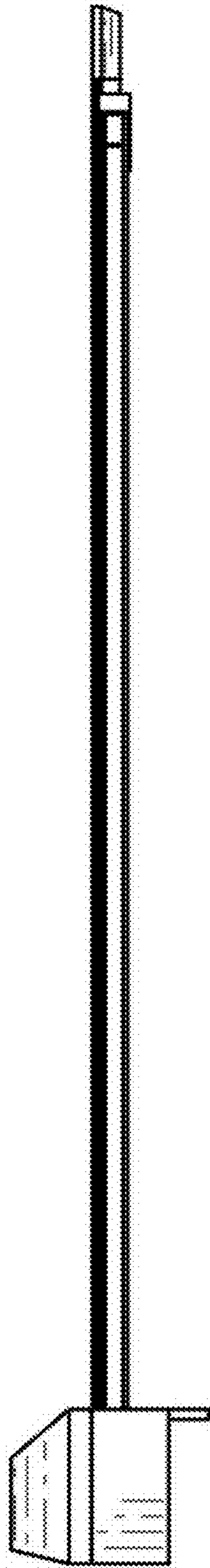
1.17



1.18



1.19



1.20



1.21

