



US00D807843S

(12) **United States Design Patent** (10) **Patent No.:** **US D807,843 S**
Harris (45) **Date of Patent:** **** Jan. 16, 2018**

(54) **DISPLAY ATTACHMENT WITH DISPLAY DEVICE**

3/126; A47G 1/17; F16B 47/00; F16B 47/006; A47K 2201/00

See application file for complete search history.

(71) Applicant: **Victor Harris**, Dubai (AE)

(72) Inventor: **Victor Harris**, Dubai (AE)

(73) Assignee: **NSV GROUP FZCO**, Dubai (AE)

(**) Term: **15 Years**

(21) Appl. No.: **29/575,502**

(22) Filed: **Aug. 25, 2016**

(51) **LOC (11) Cl.** **14-03**

(52) **U.S. Cl.**
USPC **D14/126**

(58) **Field of Classification Search**
USPC D14/371-382, 125-129, 336, 337, D14/447-452, 492, 335, 239, 457, D14/439-441, 432, 251-253; D8/349, D8/354, 363, 373, 376, 380; D21/333; D12/415, 175, 345; D3/218; 348/180, 348/184, 325, 739, 825; 248/124.1, 248/125.8, 125.9, 176.1, 411; D6/715.1, D6/315, 317-319, 326; 223/85, 87, 88, 223/94, 96

CPC G06F 3/0412; G06F 3/016; G06F 3/0488; G06F 3/011; G06F 3/038; G06F 3/03543; G06F 3/0338; G06F 3/0202; G06F 3/0219; G06F 3/0213; G06F 1/1616; G06F 3/023; G06F 3/04883; G02F 1/13338; G02F 1/1313; G02F 1/1333; G02F 1/135; G02F 1/132; G02F 1/133308; G02F 1/134309; G02F 1/13718; G09G 3/3648; G06K 15/1252; B41J 2/465; G03F 7/70291; G02B 27/0172; G02B 5/30; G02B 2027/0118; G02B 27/0101; F16M 13/02; F16M 13/00; F16M 11/10; F16M 11/04; F16M 2200/08; F16M 11/2021; A47B 21/0314; A47B 88/044; A47B 2021/0335; H02G

(56) **References Cited**

U.S. PATENT DOCUMENTS

5,125,612 A *	6/1992	McNeal	A47B 21/045 248/442.2
D399,200 S *	10/1998	Rosen	D14/132
D412,893 S *	8/1999	Newman	D14/439
D445,798 S *	7/2001	Moore	D14/439
D447,750 S *	9/2001	Bell	D14/448
D461,190 S *	8/2002	Bell	D14/448
D471,200 S *	3/2003	Bell	D14/448
7,084,932 B1 *	8/2006	Mathias	B60R 11/0211 296/37.7

(Continued)

Primary Examiner — Garth Rademaker

Assistant Examiner — Katie Stofko

(74) *Attorney, Agent, or Firm* — Quinn IP Law

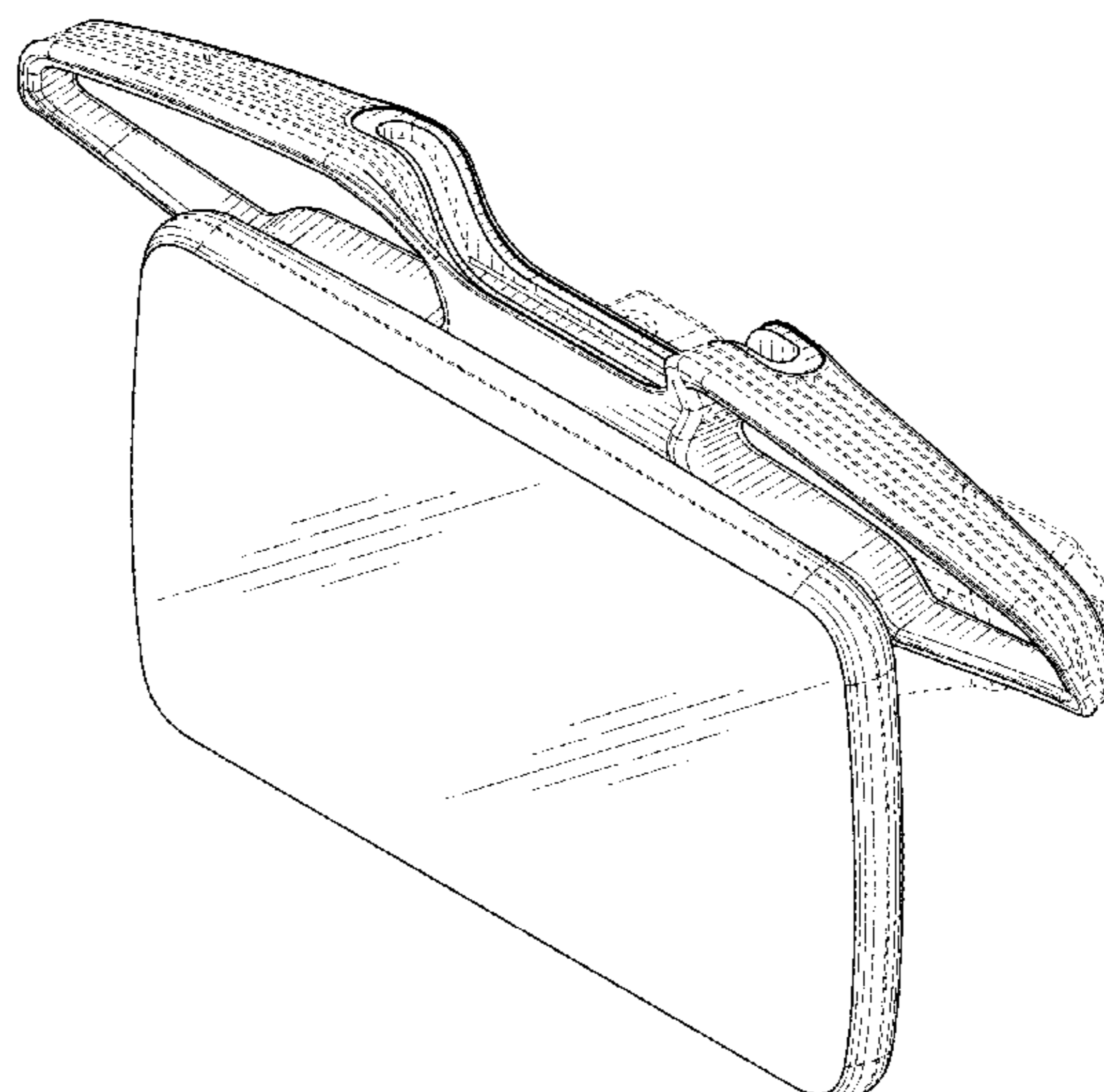
(57) **CLAIM**

I claim the ornamental design for a display attachment with display device, as shown and described.

DESCRIPTION

FIG. 1 is a top, right front perspective view of a display attachment with display device;
FIG. 2 is a front view thereof;
FIG. 3 is a rear view thereof;
FIG. 4 is a left side view thereof;
FIG. 5 is a right side view thereof;
FIG. 6 is a top view thereof;
FIG. 7 is a bottom view thereof; and,
FIG. 8 is a top, right, rear perspective view thereof.
All broken lines in the drawings illustrate portions of the display attachment with display device that form no part of the claimed design.

1 Claim, 8 Drawing Sheets



(56)

References Cited

U.S. PATENT DOCUMENTS

8,520,152	B2 *	8/2013	Caltabiano	B60R 11/0235 348/837
D786,261	S *	5/2017	Harris	D14/448
2007/0101372	A1 *	5/2007	Chang	B60R 11/0235 725/75
2007/0105444	A1 *	5/2007	Macholz	B60R 11/0211 439/607.41
2008/0191505	A1 *	8/2008	Schedivy	B60R 11/0229 296/24.34

* cited by examiner

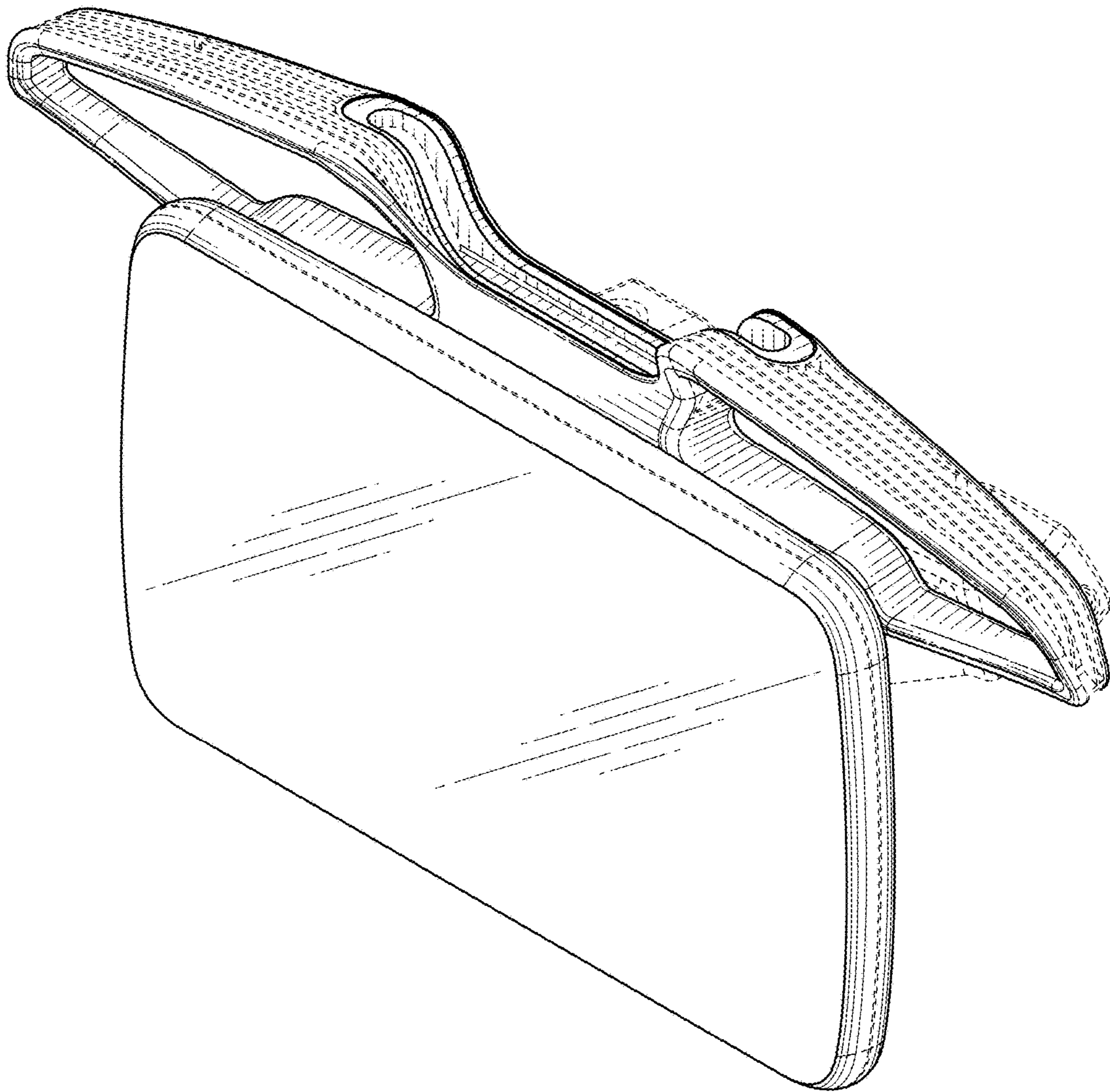


FIG. 1

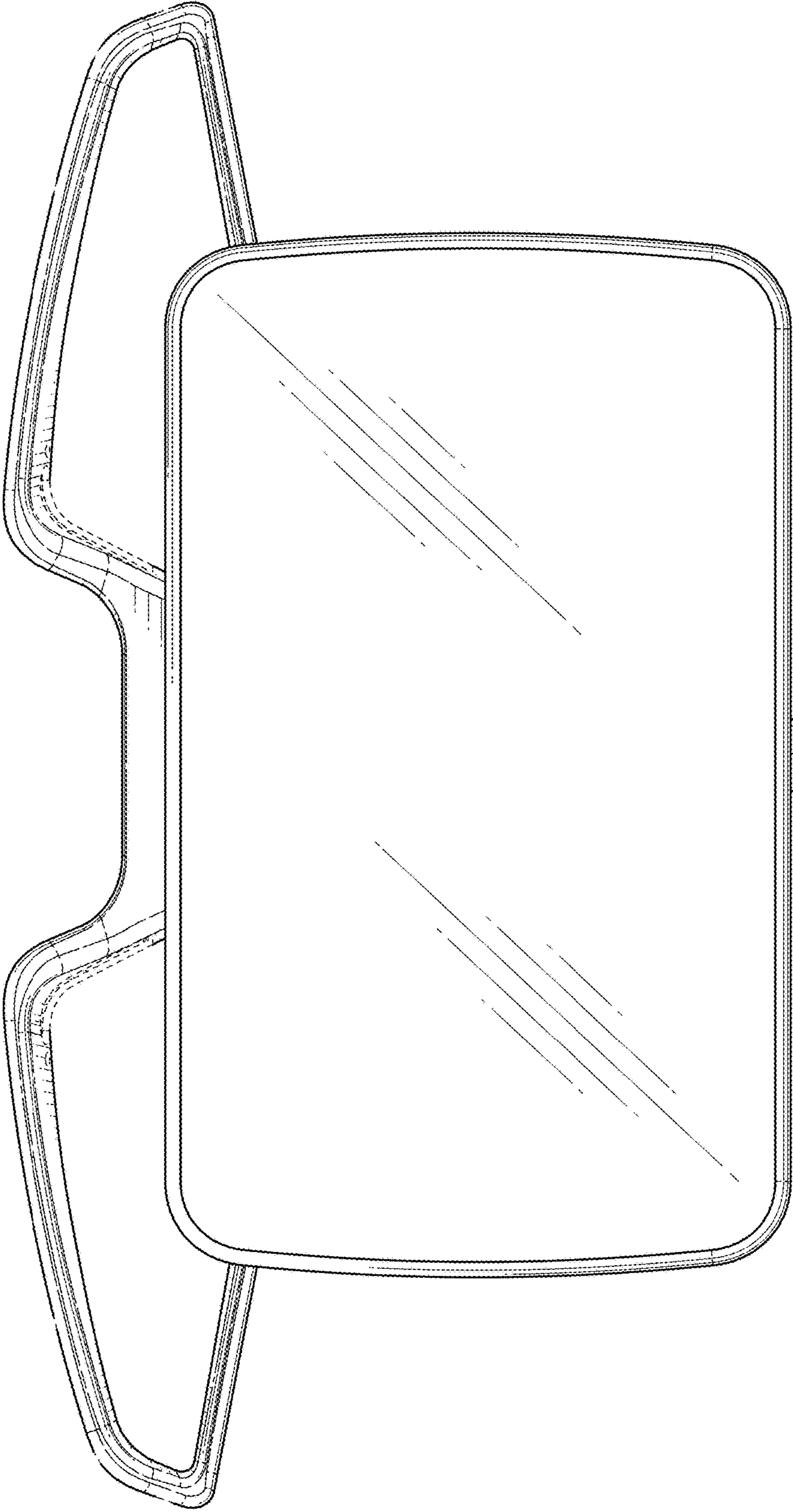


FIG. 2

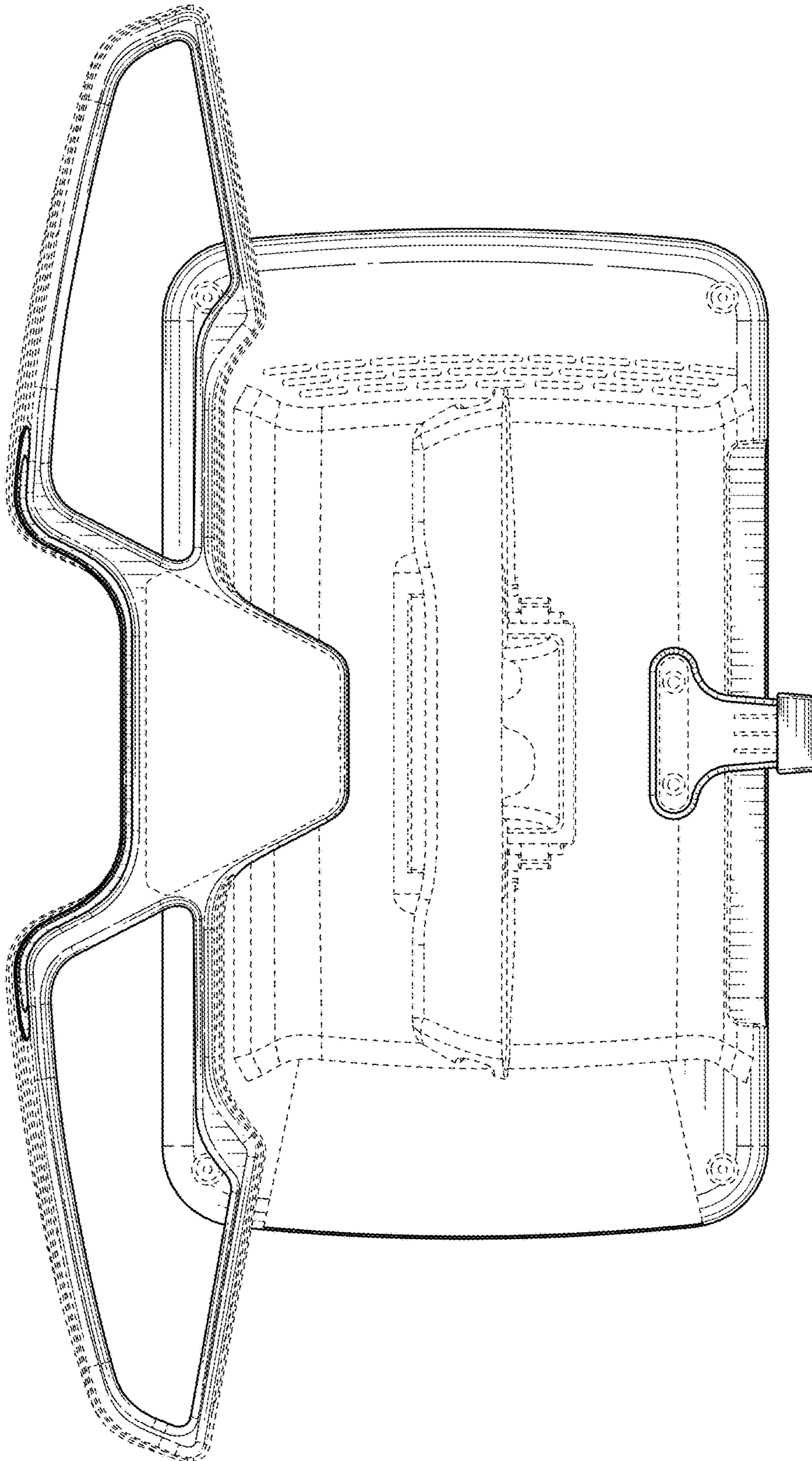


FIG. 3

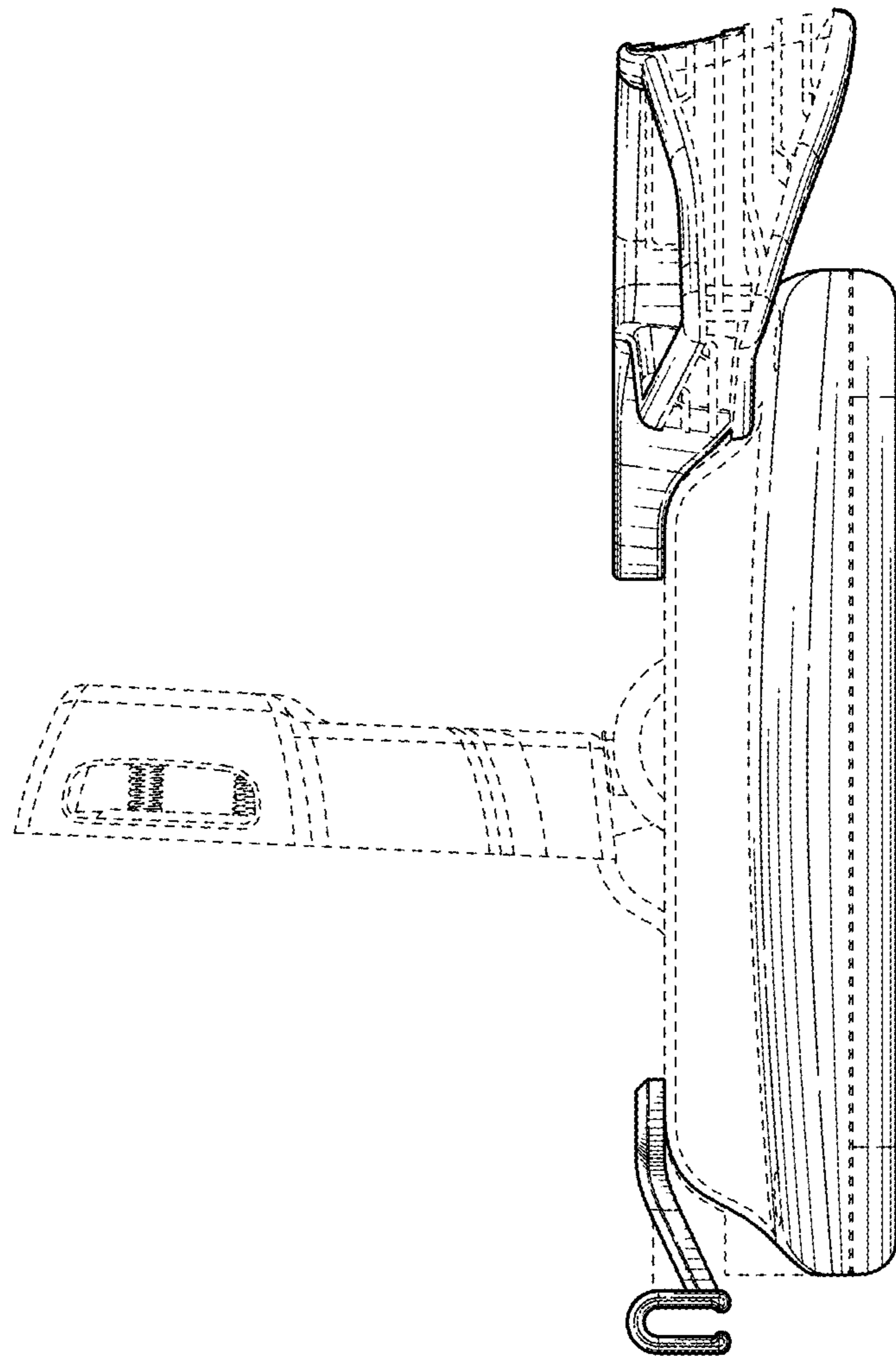


FIG. 4

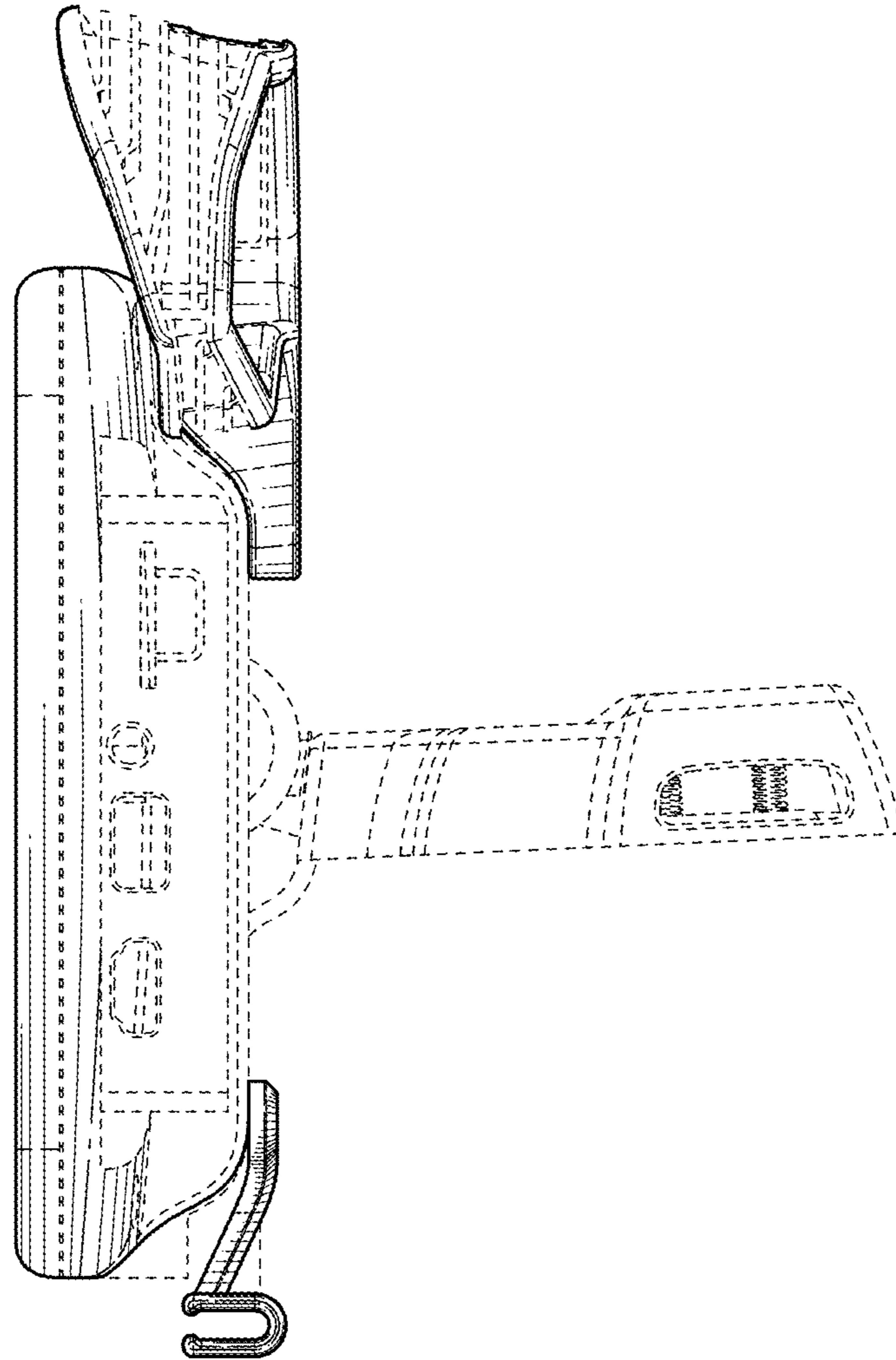


FIG. 5

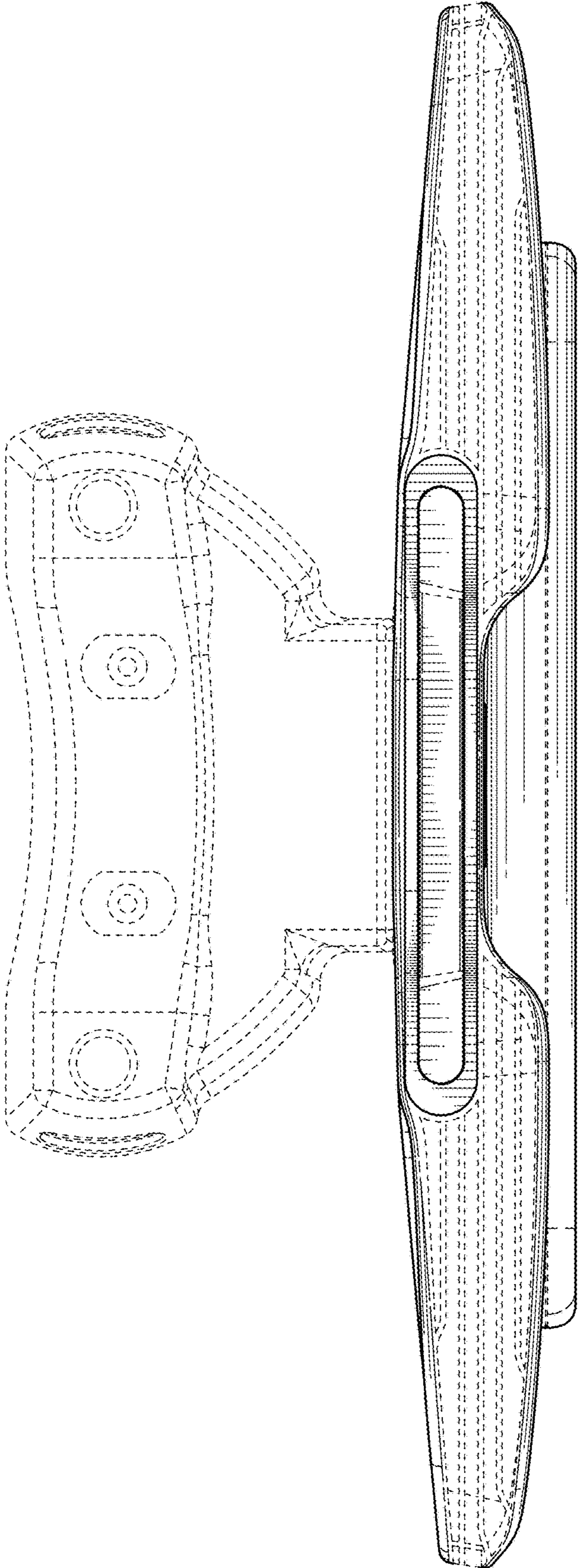


FIG. 6

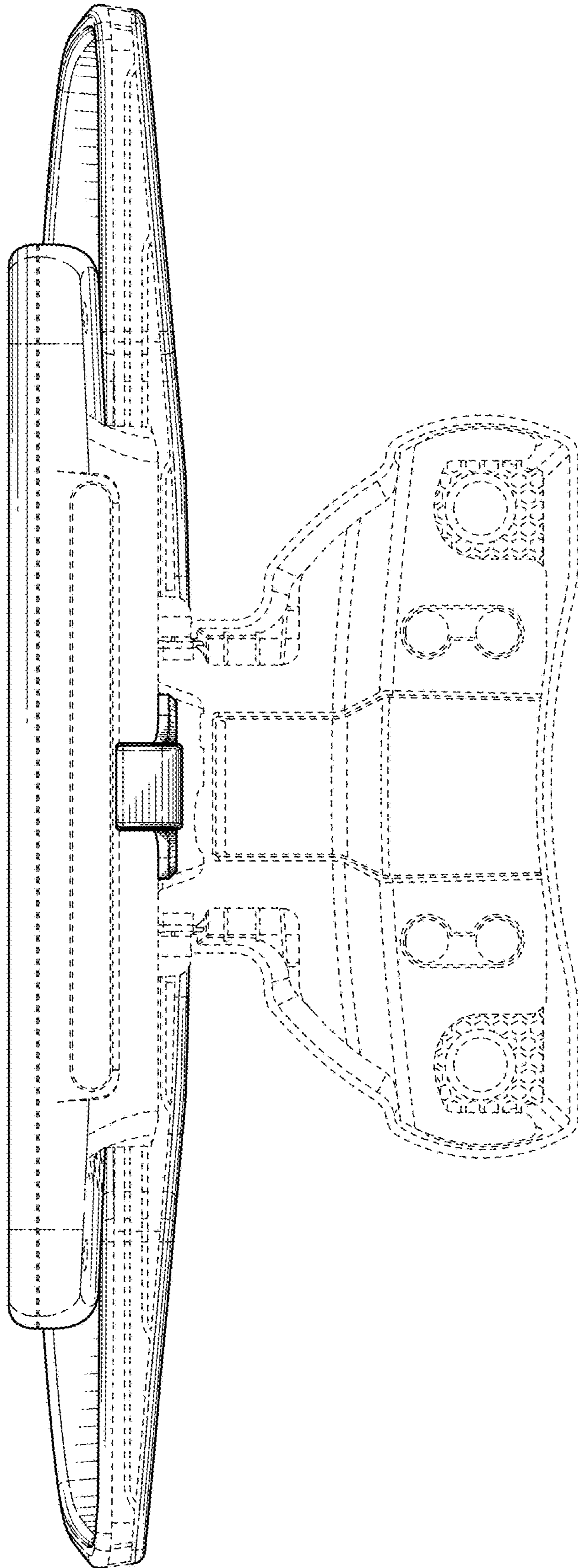


FIG. 7

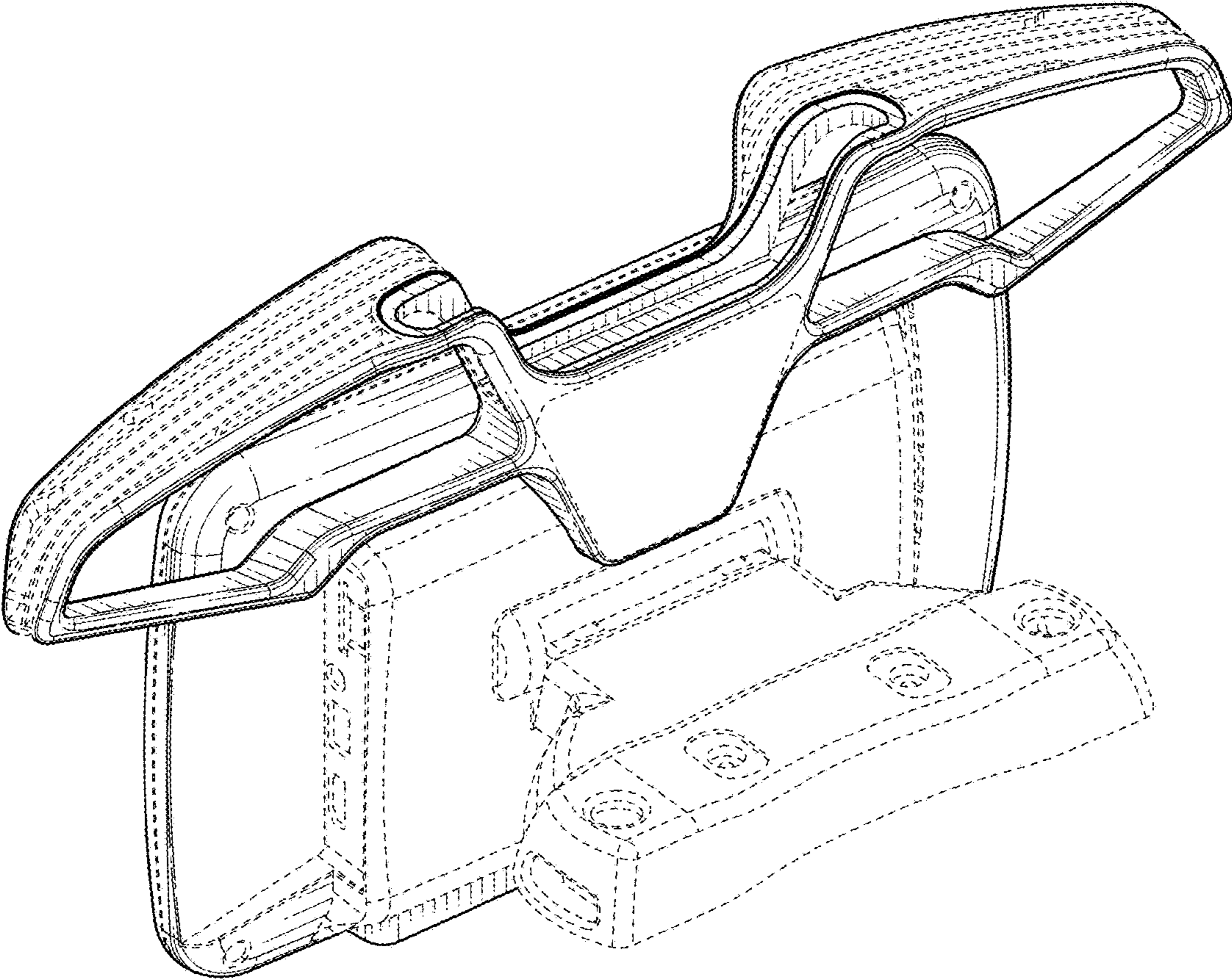


FIG. 8