



US00D807842S

(12) **United States Design Patent**
Sugita

(10) **Patent No.:** **US D807,842 S**
(45) **Date of Patent:** **** Jan. 16, 2018**

(54) **IN-VEHICLE DISPLAY**

(71) Applicant: **CLARION CO., LTD.**, Saitama-shi,
Saitama (JP)

(72) Inventor: **Muneki Sugita**, Tokyo (JP)

(73) Assignee: **CLARION CO., LTD.**, Saitama (JP)

(**) Term: **15 Years**

(21) Appl. No.: **29/570,188**

(22) Filed: **Jul. 6, 2016**

(30) **Foreign Application Priority Data**

Jan. 14, 2016 (JP) 2016-000550

(51) **LOC (11) Cl.** **14-03**

(52) **U.S. Cl.**
USPC **D14/126; D14/129**

(58) **Field of Classification Search**
USPC D14/125-134, 239, 371, 136, 374-377,
D14/440, 450, 448, 336, 342, 159;
(Continued)

(56) **References Cited**

U.S. PATENT DOCUMENTS

D680,450 S * 4/2013 Shimizu D10/65
D726,563 S * 4/2015 Endo D10/65
(Continued)

Primary Examiner — Randall Gholson

(74) *Attorney, Agent, or Firm* — McDermott Will &
Emery LLP

(57) **CLAIM**

The ornamental design for an in-vehicle display, as shown
and described.

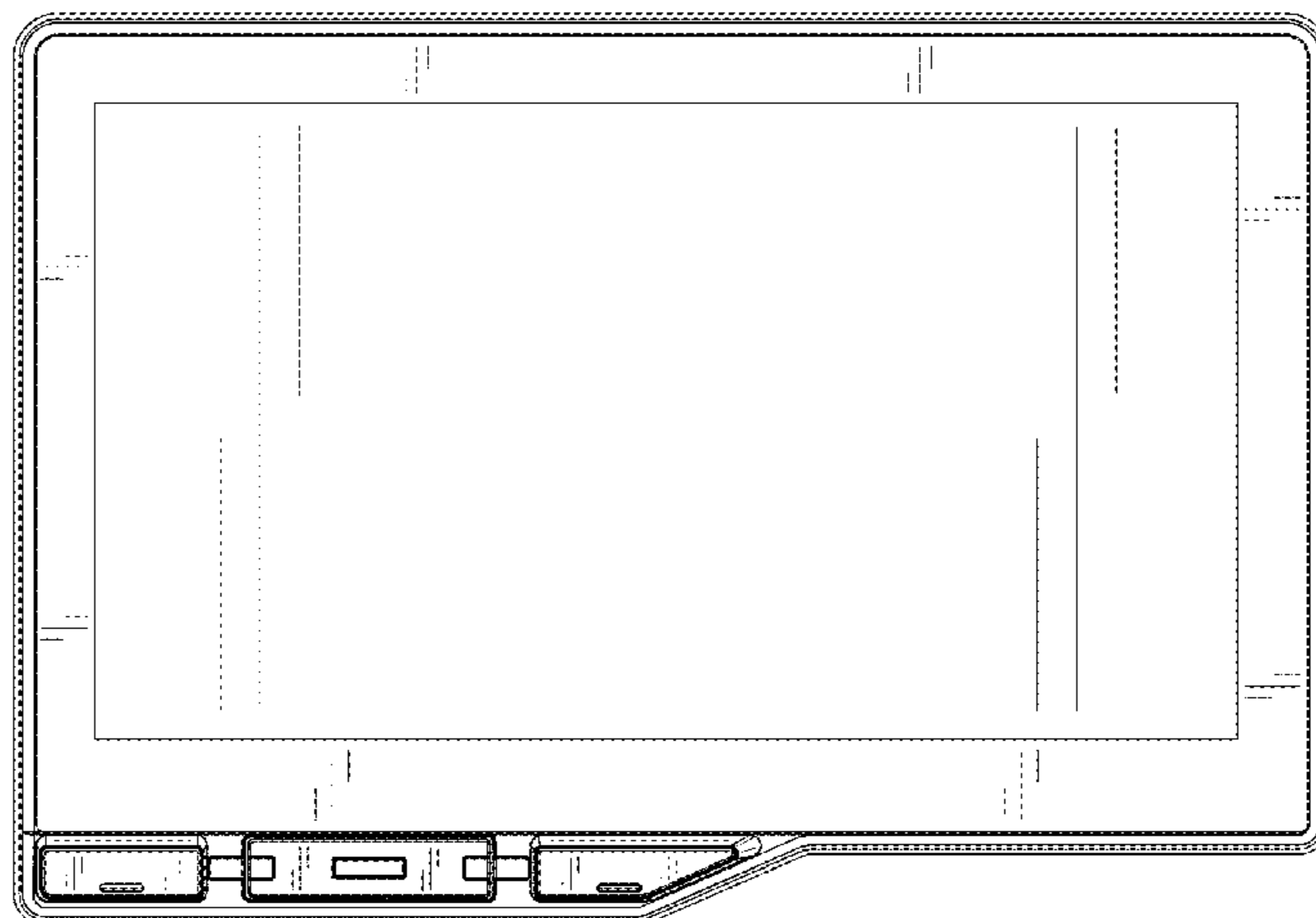
DESCRIPTION

FIG. 1 is a front view of an in-vehicle display showing my
new design;

FIG. 2 is a rear view thereof;
FIG. 3 is a left-side view thereof;
FIG. 4 is a right-side view thereof;
FIG. 5 is a top view thereof;
FIG. 6 is a bottom view thereof;
FIG. 7 is a front view thereof moving toward front;
FIG. 8 is a back view thereof moving toward front;
FIG. 9 is a left view thereof moving toward front;
FIG. 10 is a right view thereof moving toward front;
FIG. 11 is a top view thereof moving toward front;
FIG. 12 is a bottom view thereof moving toward front;
FIG. 13 is a front view thereof tilting an obliquely upward
direction;
FIG. 14 is a back view thereof tilting an obliquely upward
direction;
FIG. 15 is a left view thereof tilting an obliquely upward
direction;
FIG. 16 is a right view thereof tilting an obliquely upward
direction;
FIG. 17 is a top view thereof tilting an obliquely upward
direction;
FIG. 18 is a bottom view thereof tilting an obliquely upward
direction;
FIG. 19 is a front view thereof tilting an obliquely down-
ward direction;
FIG. 20 is a back view thereof tilting an obliquely downward
direction;
FIG. 21 is a left view thereof tilting an obliquely downward
direction;
FIG. 22 is a right view thereof tilting an obliquely downward
direction;
FIG. 23 is a top view thereof tilting an obliquely downward
direction; and,
FIG. 24 is a bottom view thereof tilting an obliquely
downward direction.

The broken lines shown in the drawings show unclaimed
subject matter only and form no part of the claimed design.

1 Claim, 24 Drawing Sheets



(58) **Field of Classification Search**

USPC 312/7.2; 348/836, 838, 180, 184, 325,
348/739; 248/917-924, 465; 345/104,
345/133, 156, 168, 87, 173; D21/329,
D21/515, 577, 622, 333, 433, 448, 452,
D21/450, 331, 505; D10/15, 26;
446/484, 175, 356; D6/477, 479, 300;
D20/10, 19, 39; D16/203, 241; 160/24
CPC G06F 1/1601; G06F 1/1643; G06F 1/1652;
G06F 1/1647; G06F 3/0412; H05K
5/0004; H05K 5/0017; H05K 5/02; H05K
5/0217; H04N 13/0459

See application file for complete search history.

(56) **References Cited**

U.S. PATENT DOCUMENTS

D731,992 S *	6/2015	Budde	D14/126
D740,243 S *	10/2015	Bieler	D14/126
D746,786 S *	1/2016	Choi	D14/126

* cited by examiner

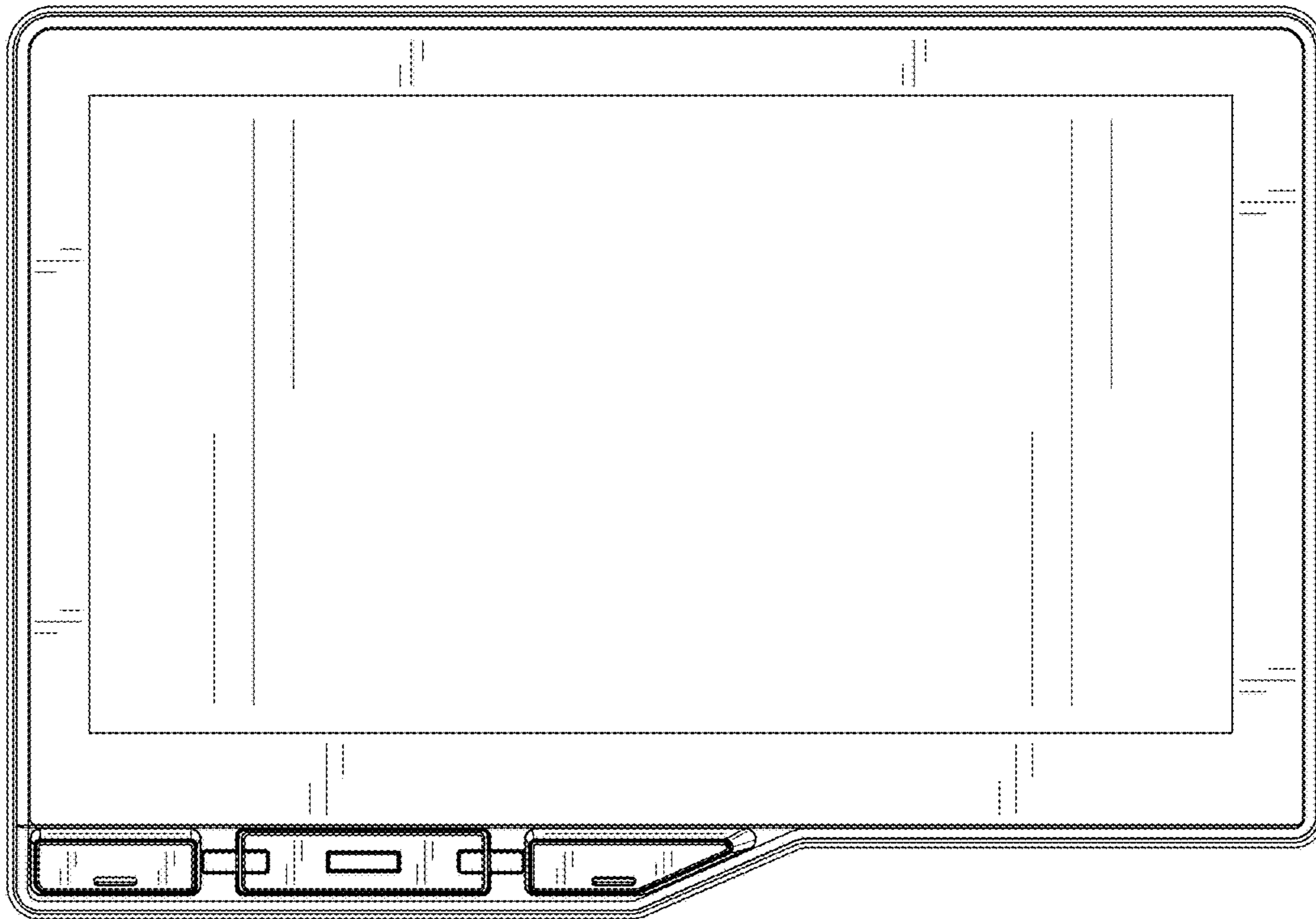


FIG. 1

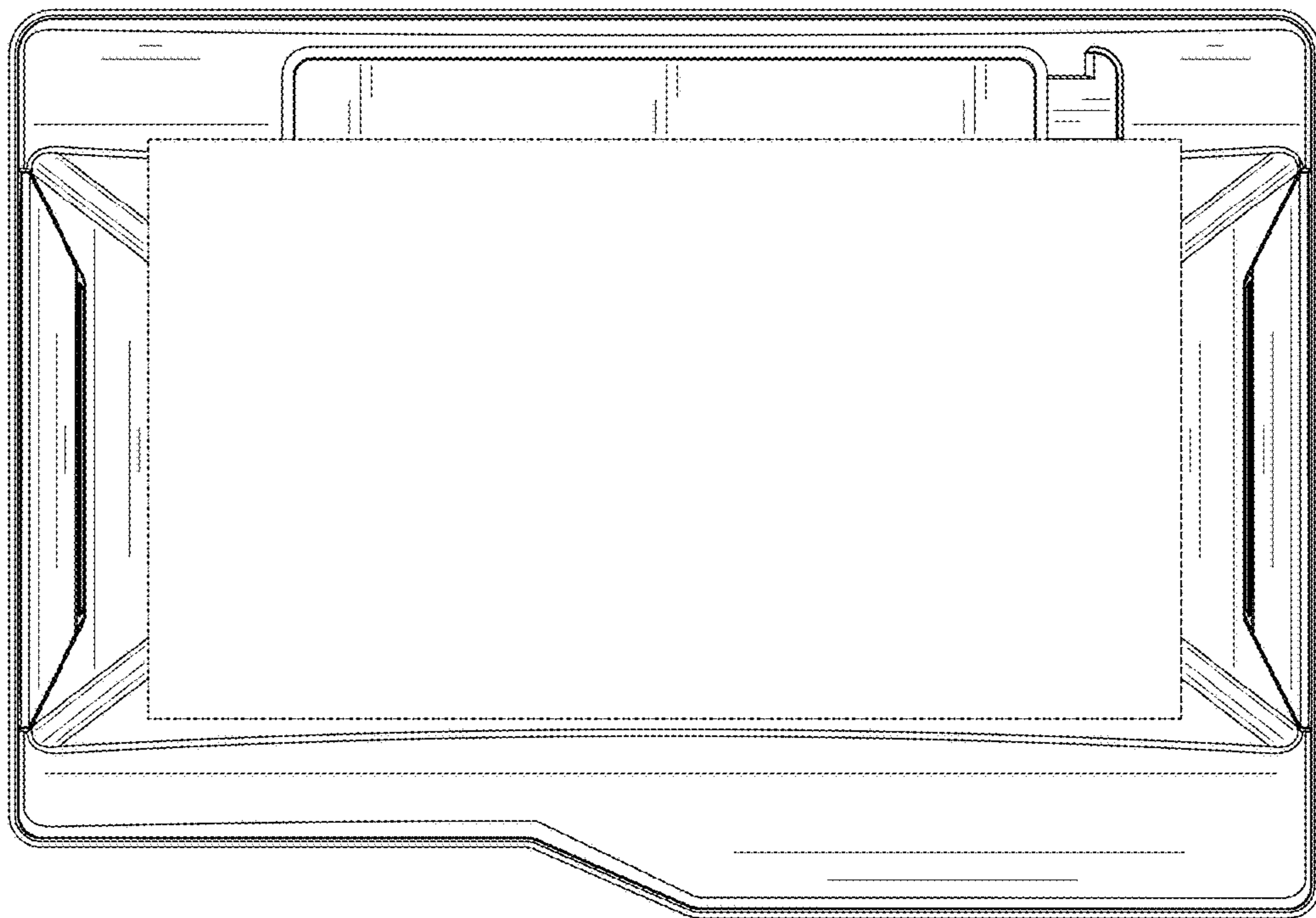


FIG. 2

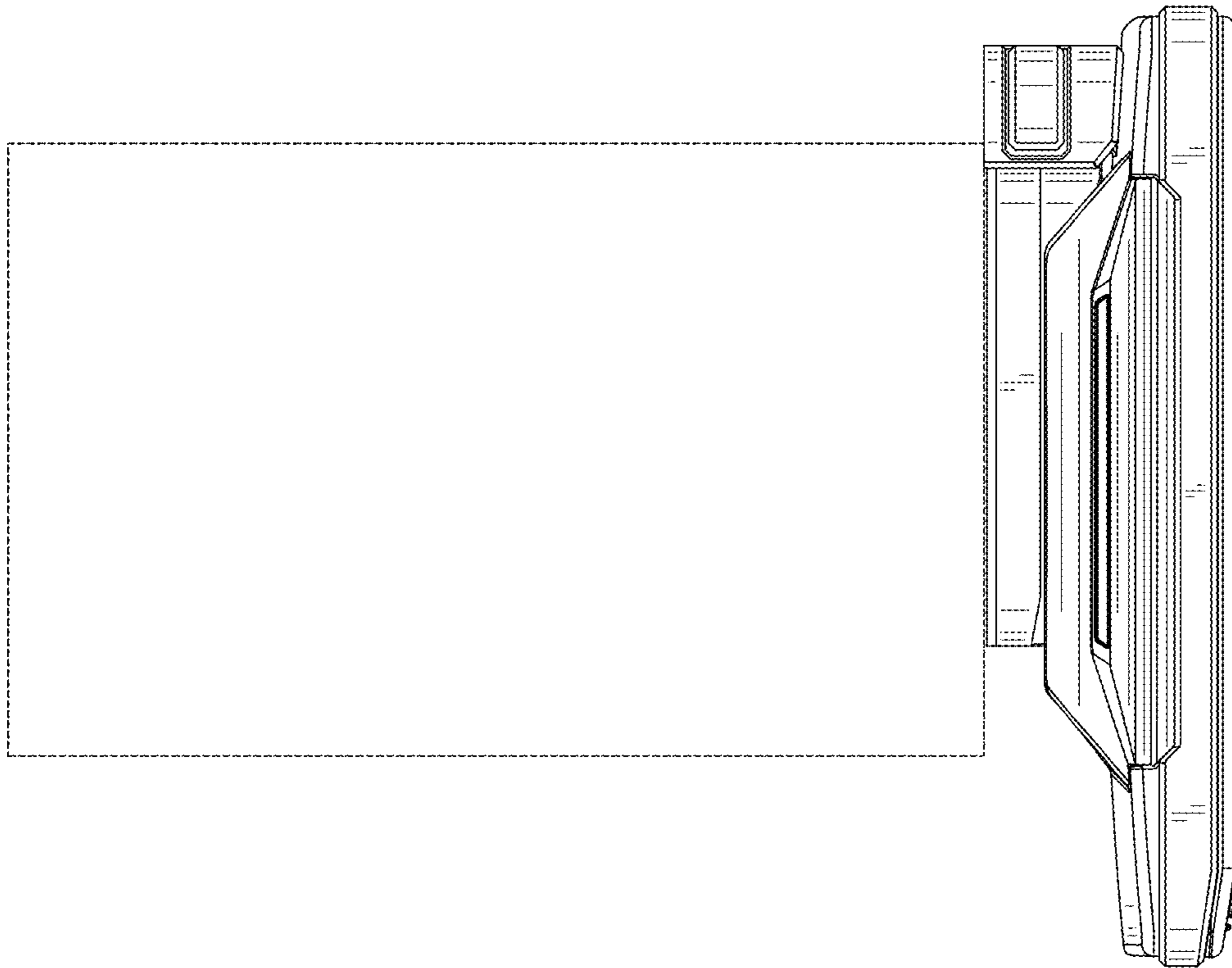


FIG. 3

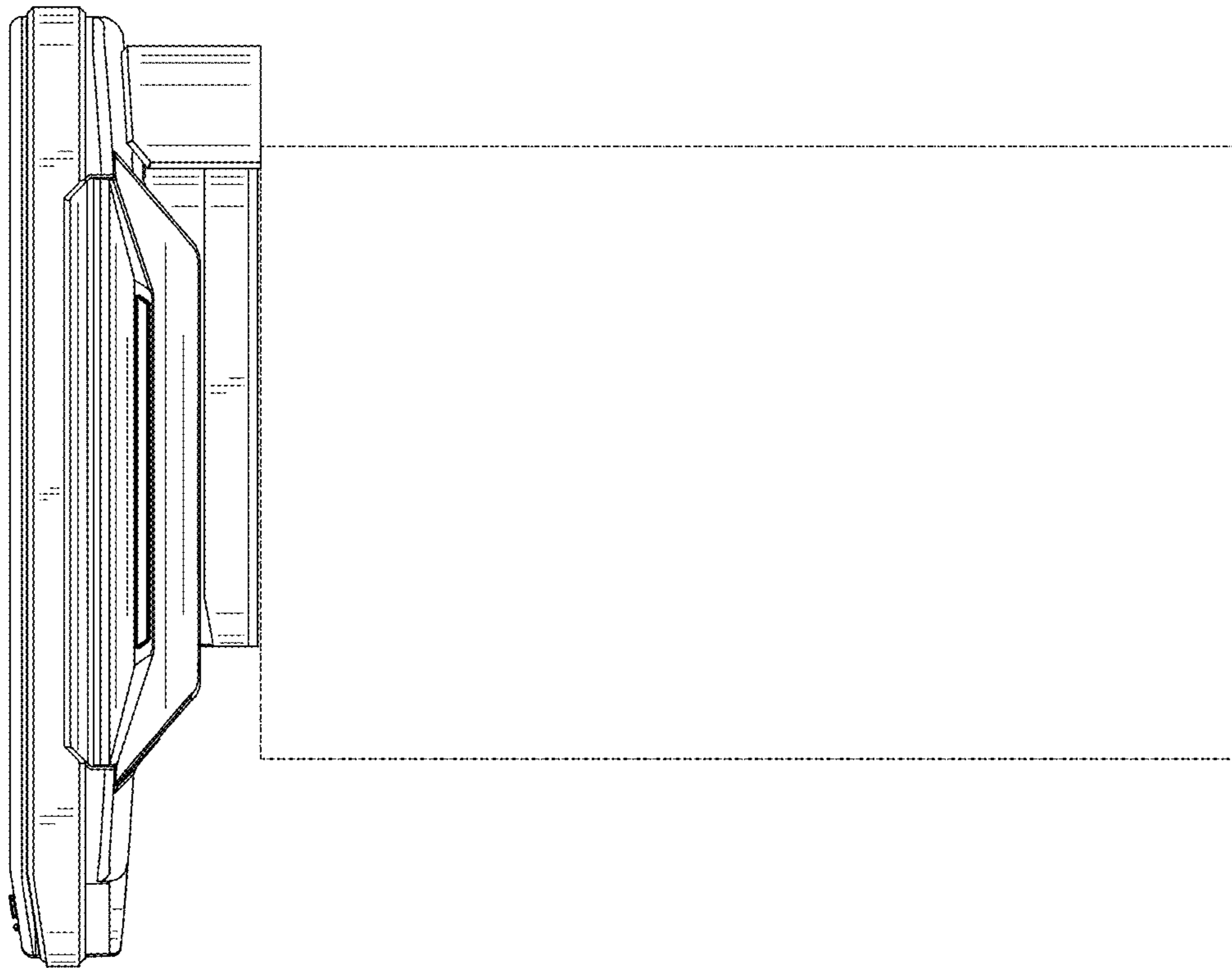


FIG. 4

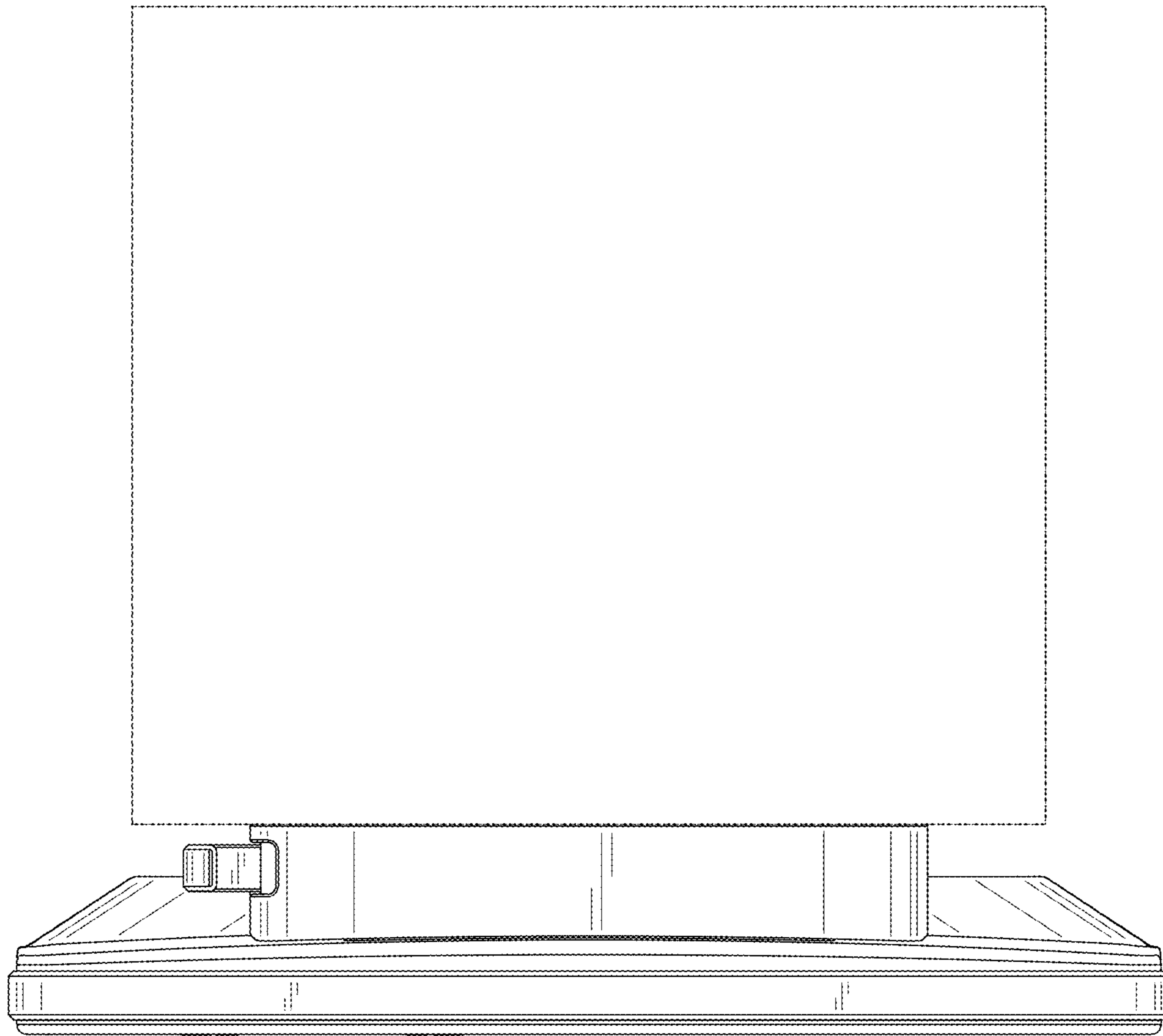


FIG. 5

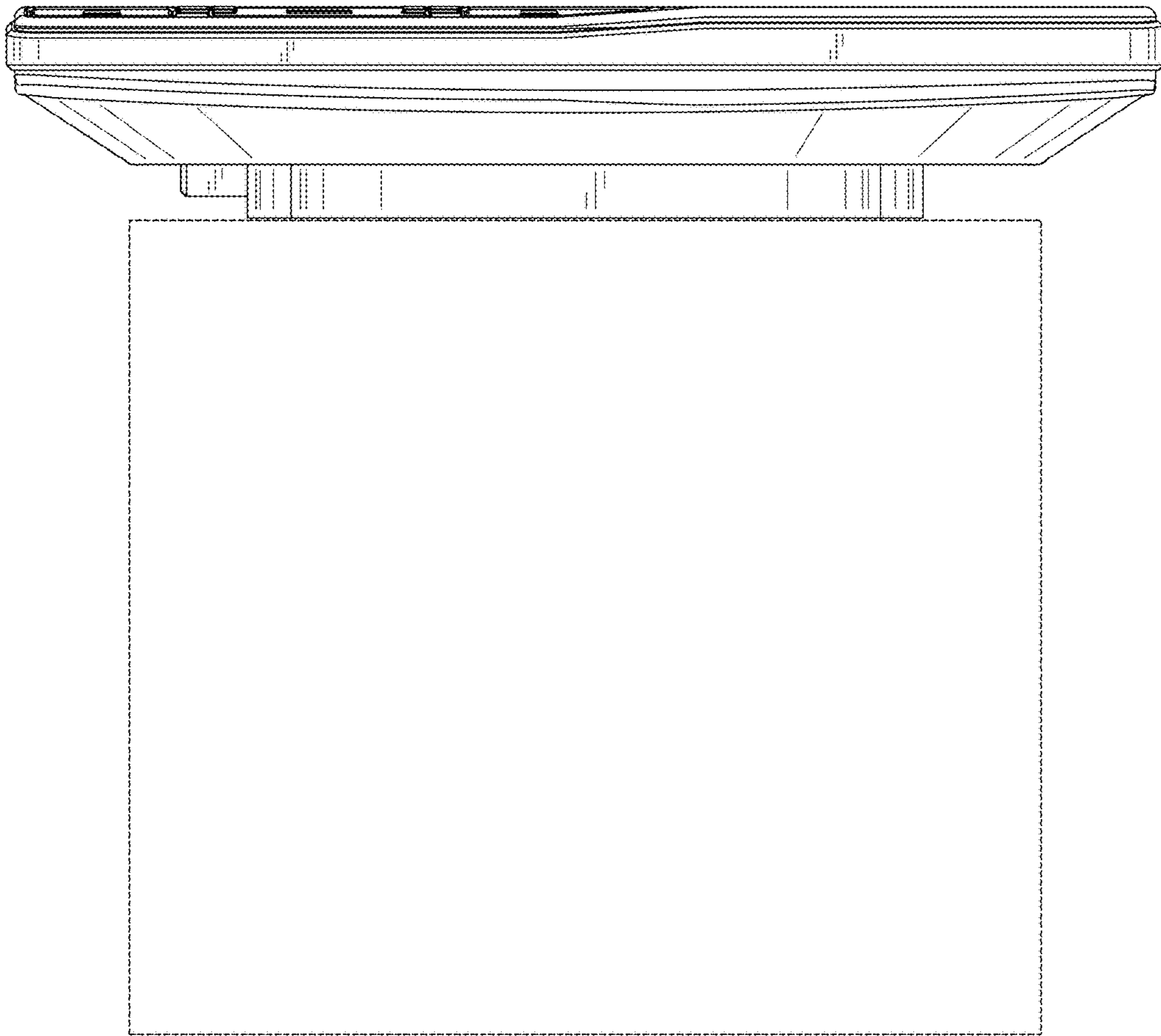


FIG. 6

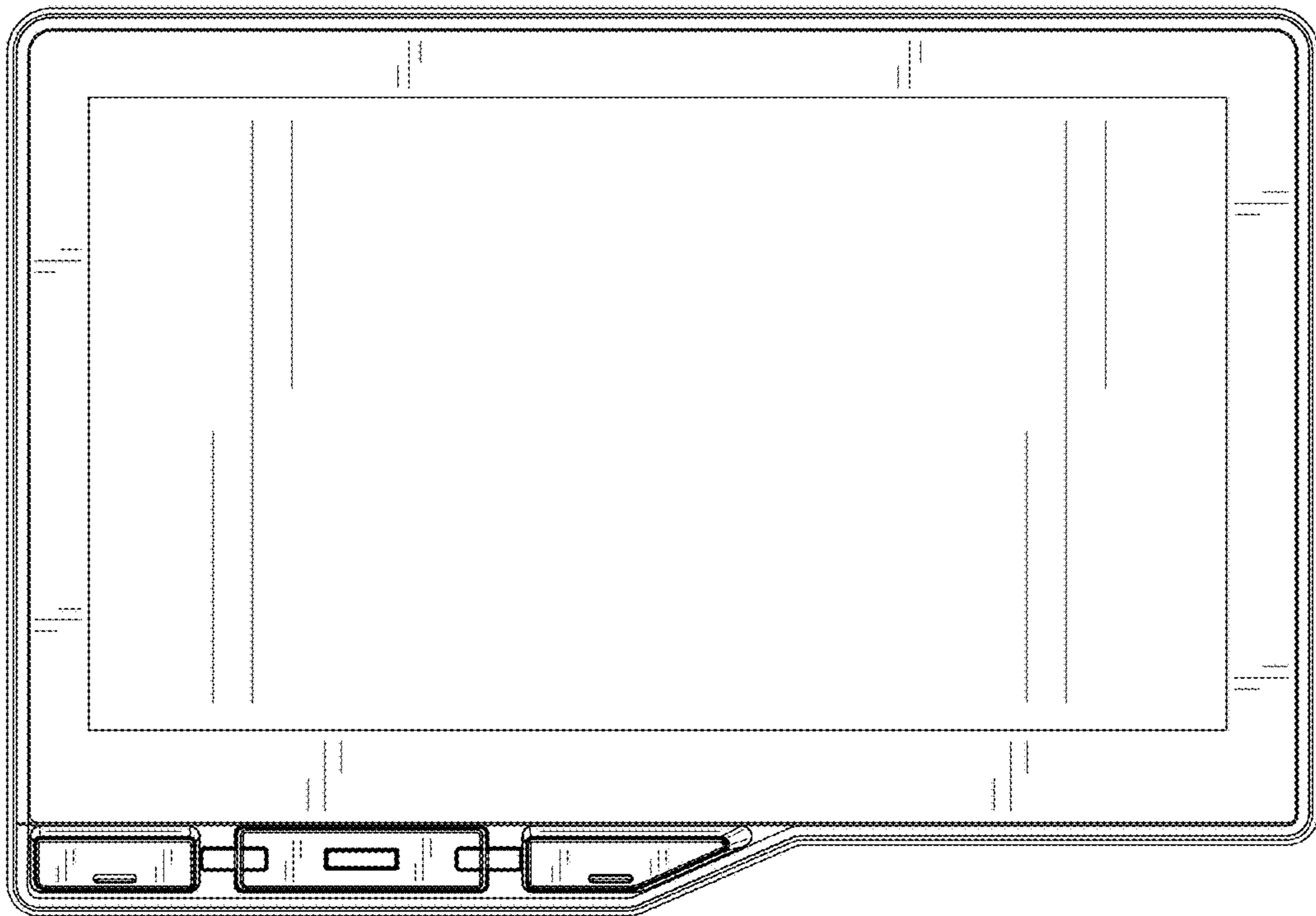


FIG. 7

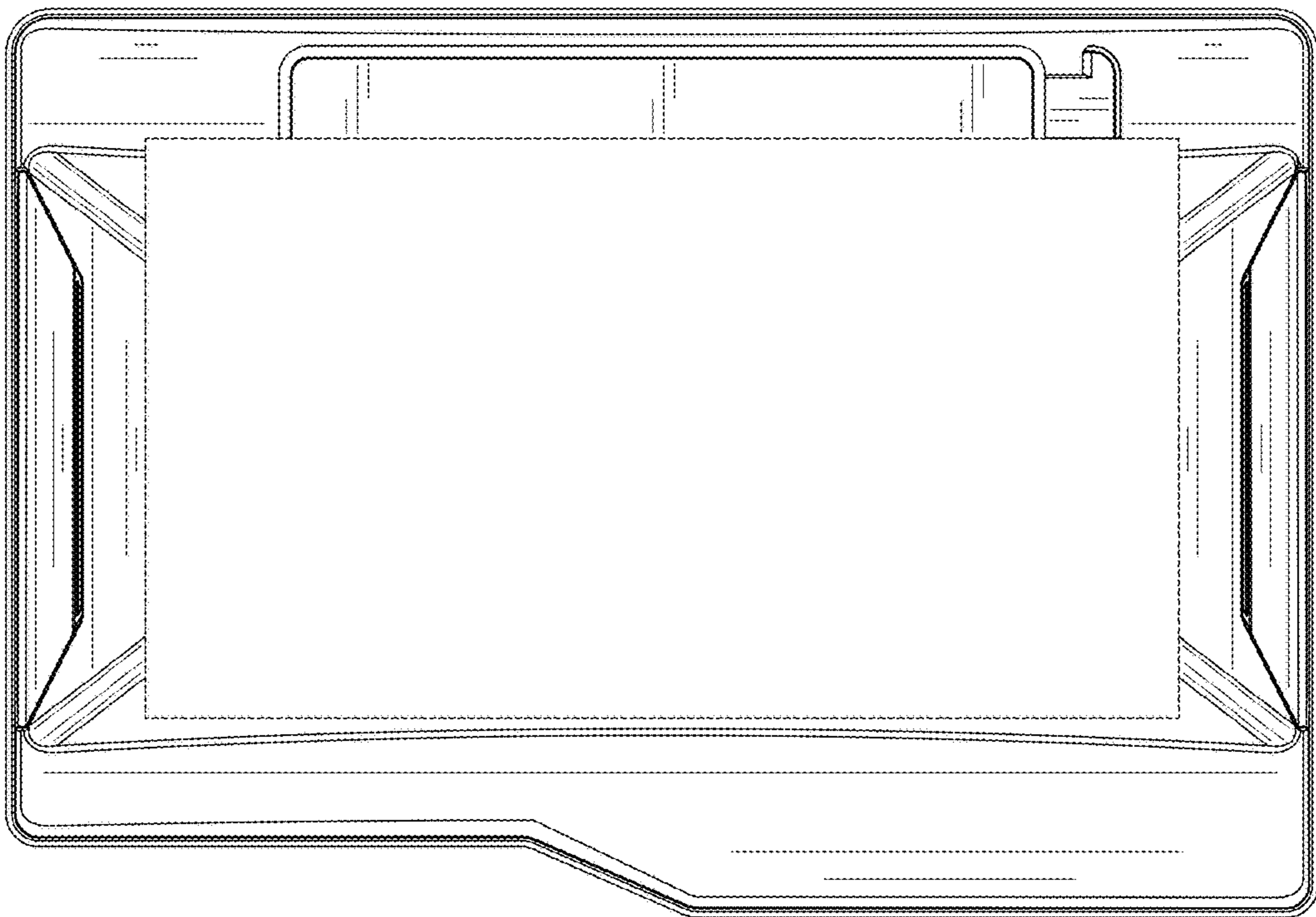


FIG. 8

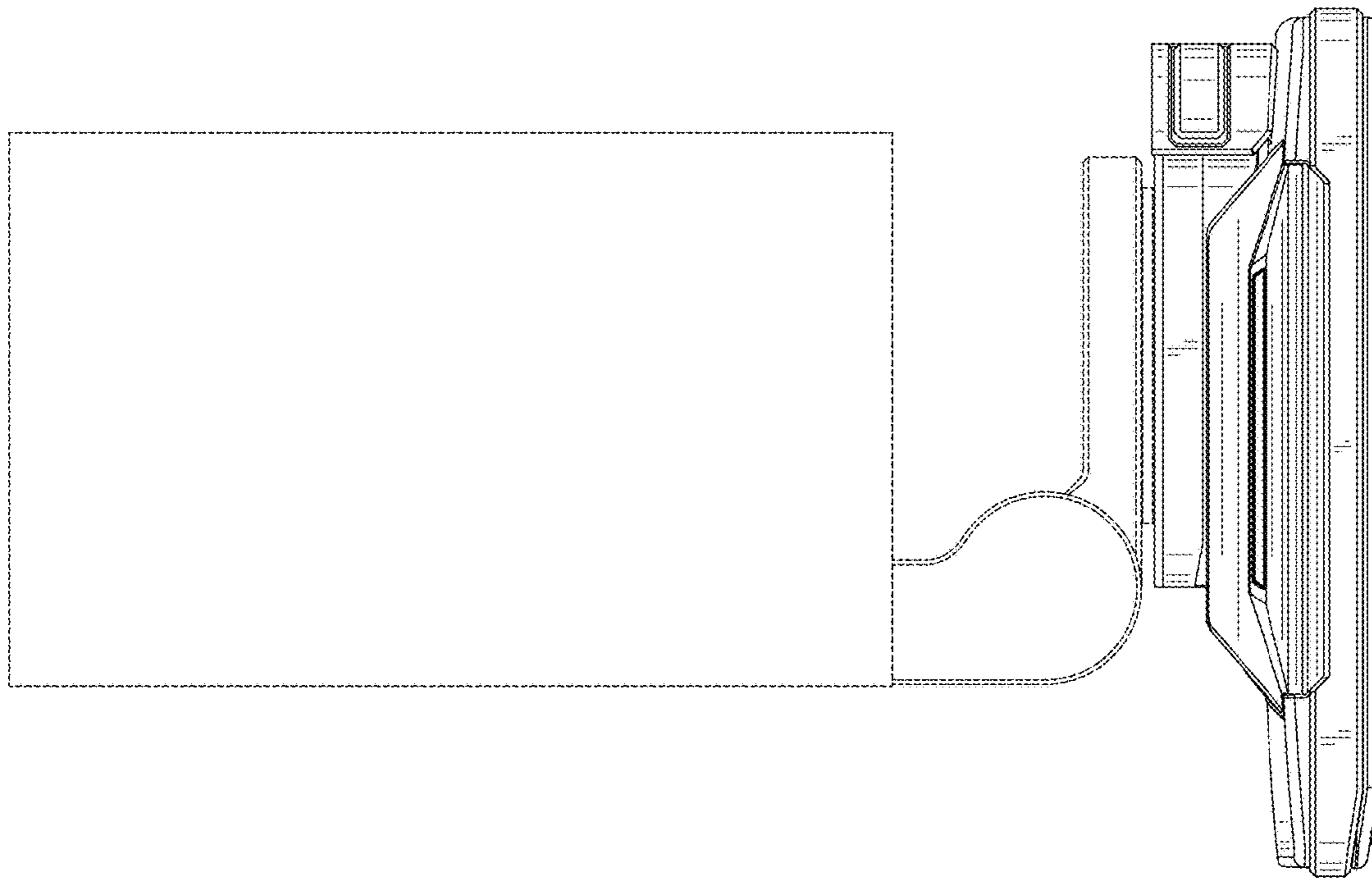


FIG. 9

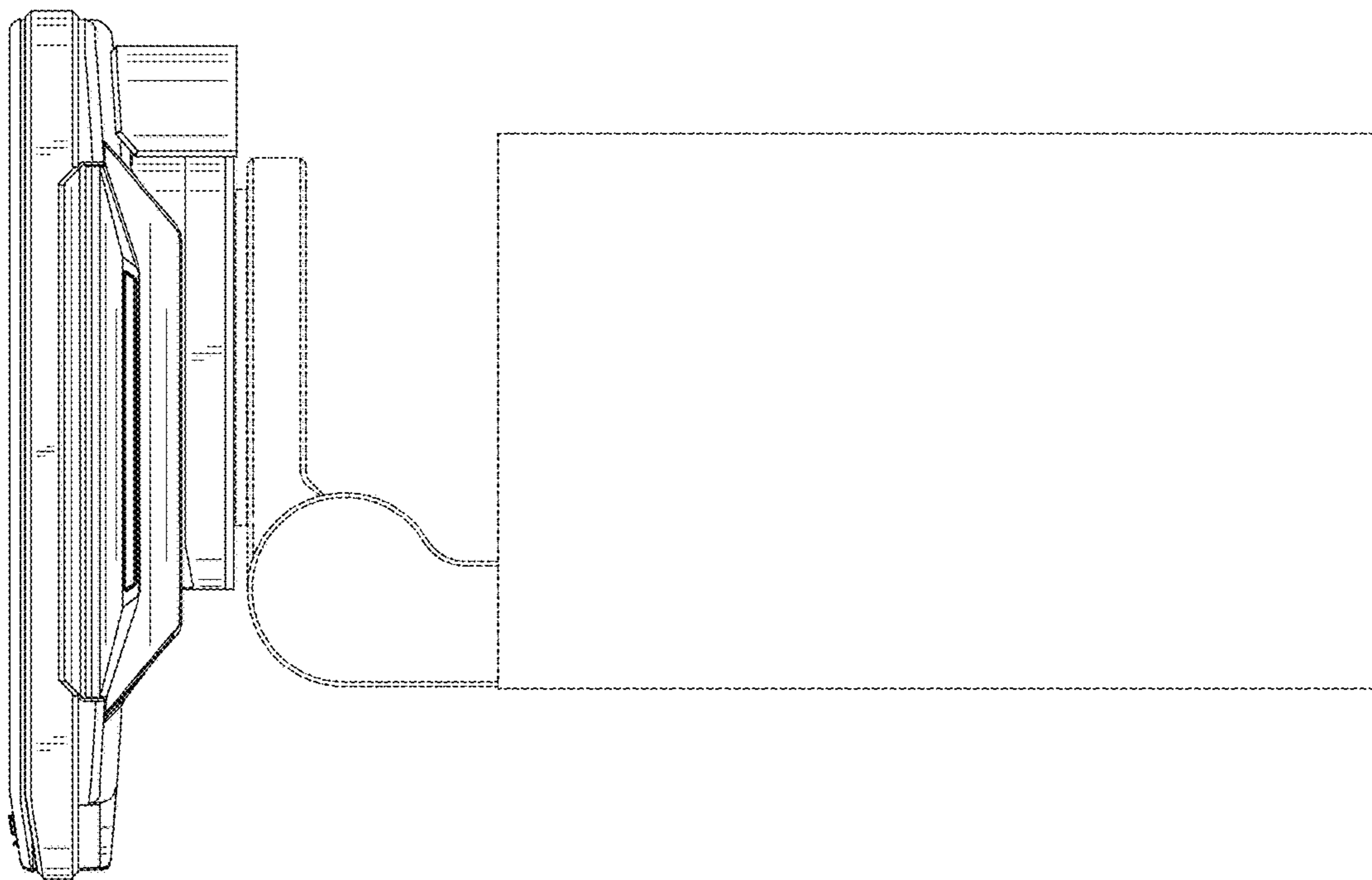


FIG. 10

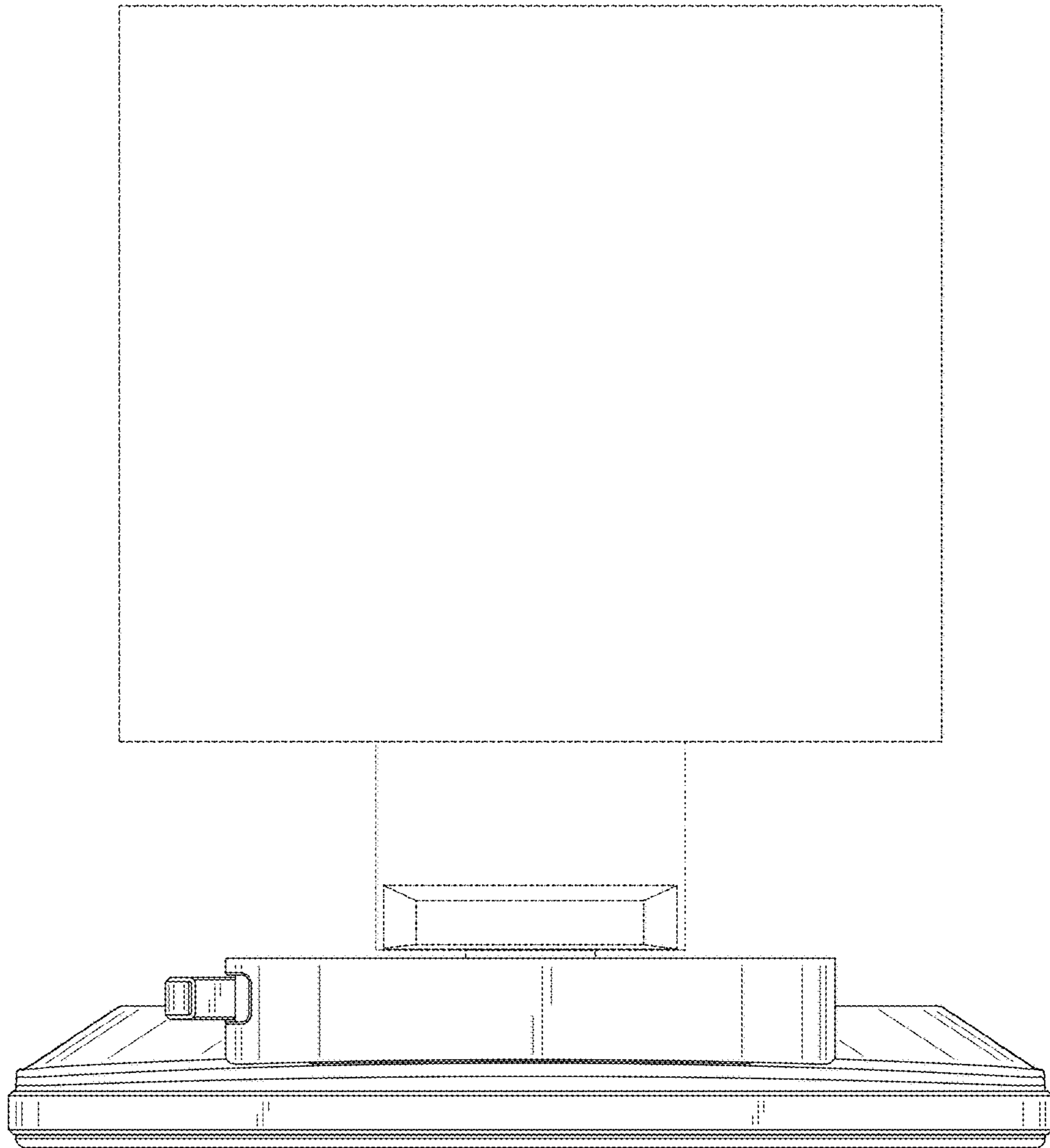


FIG. 11

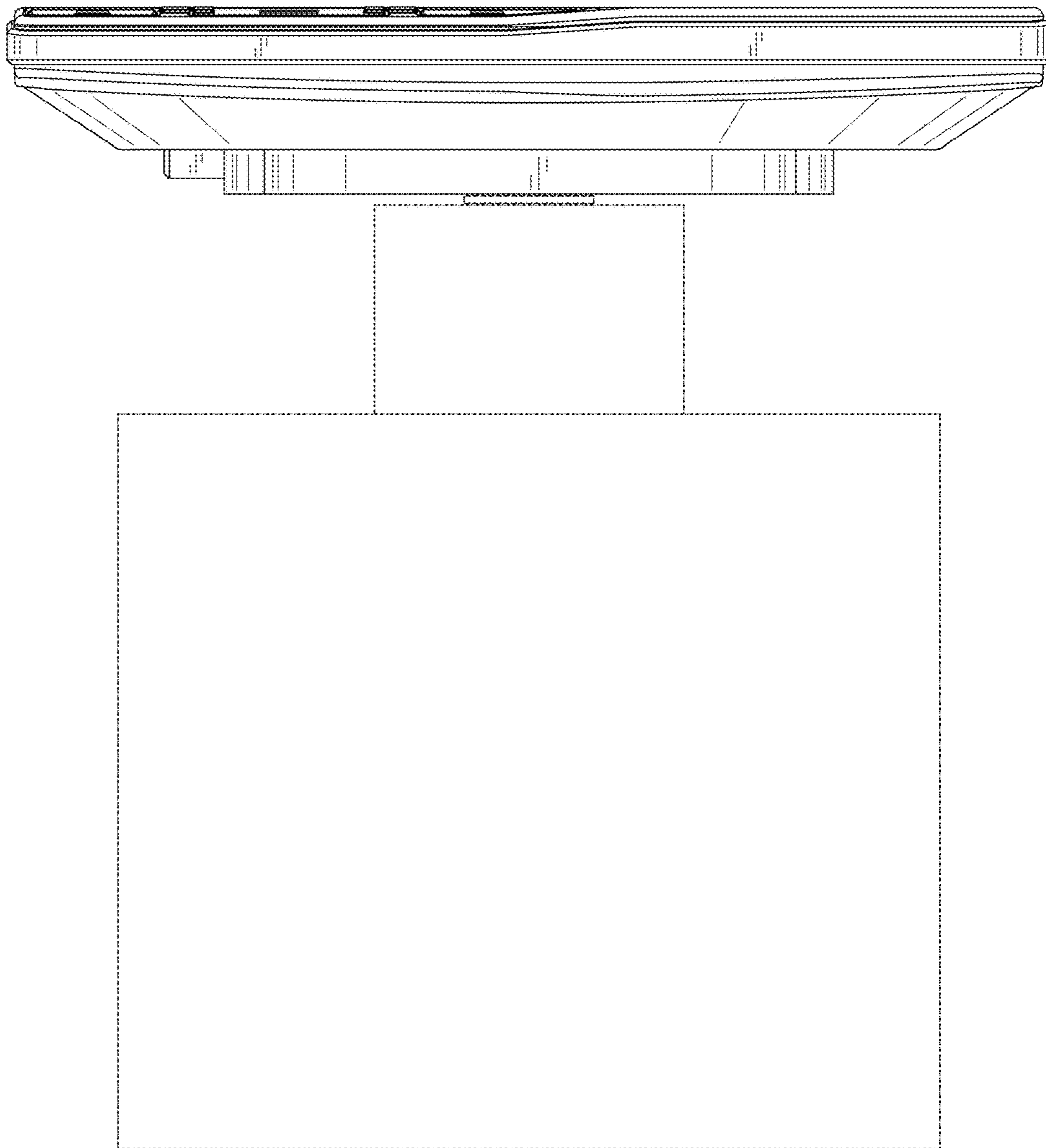


FIG. 12

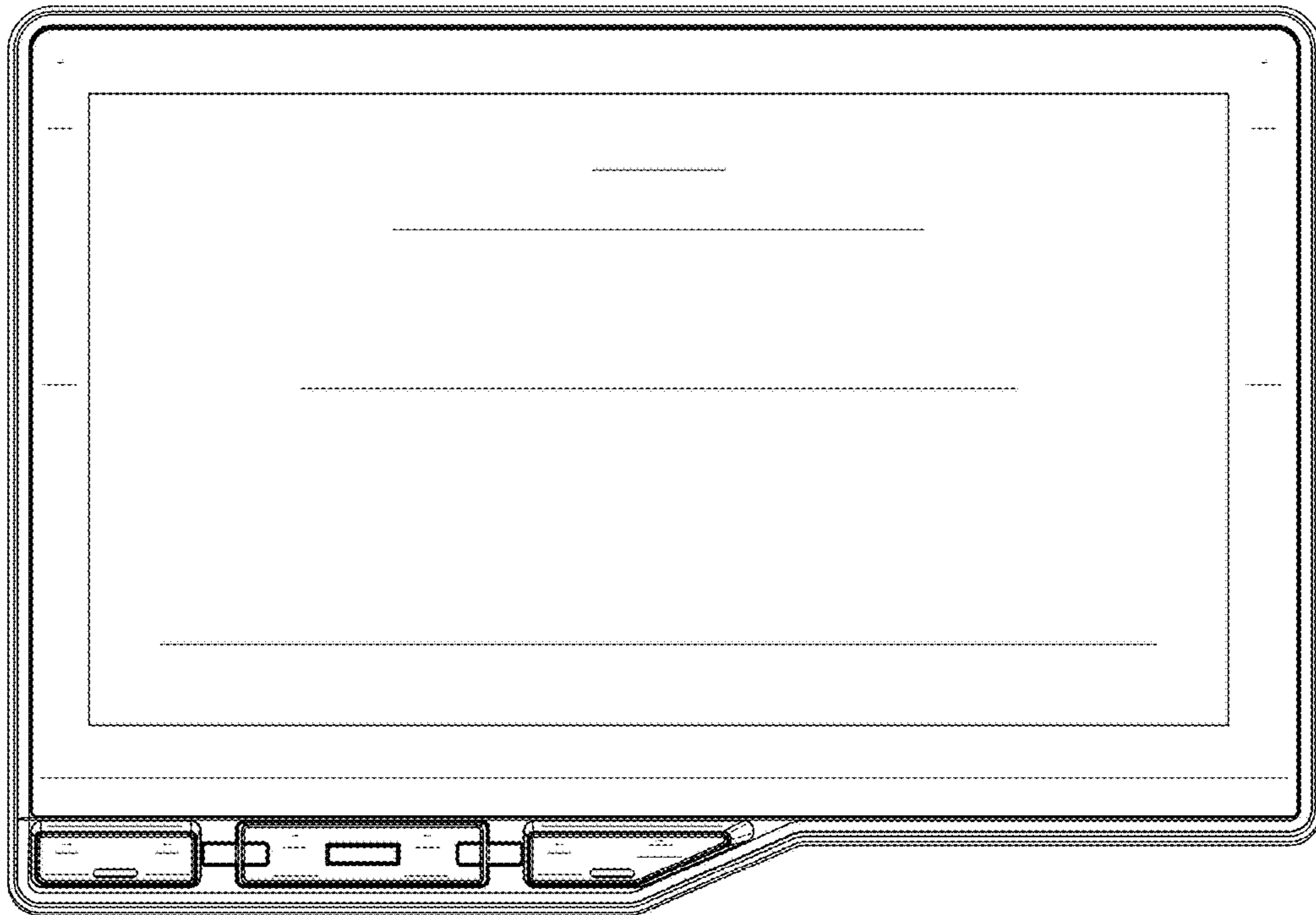


FIG. 13

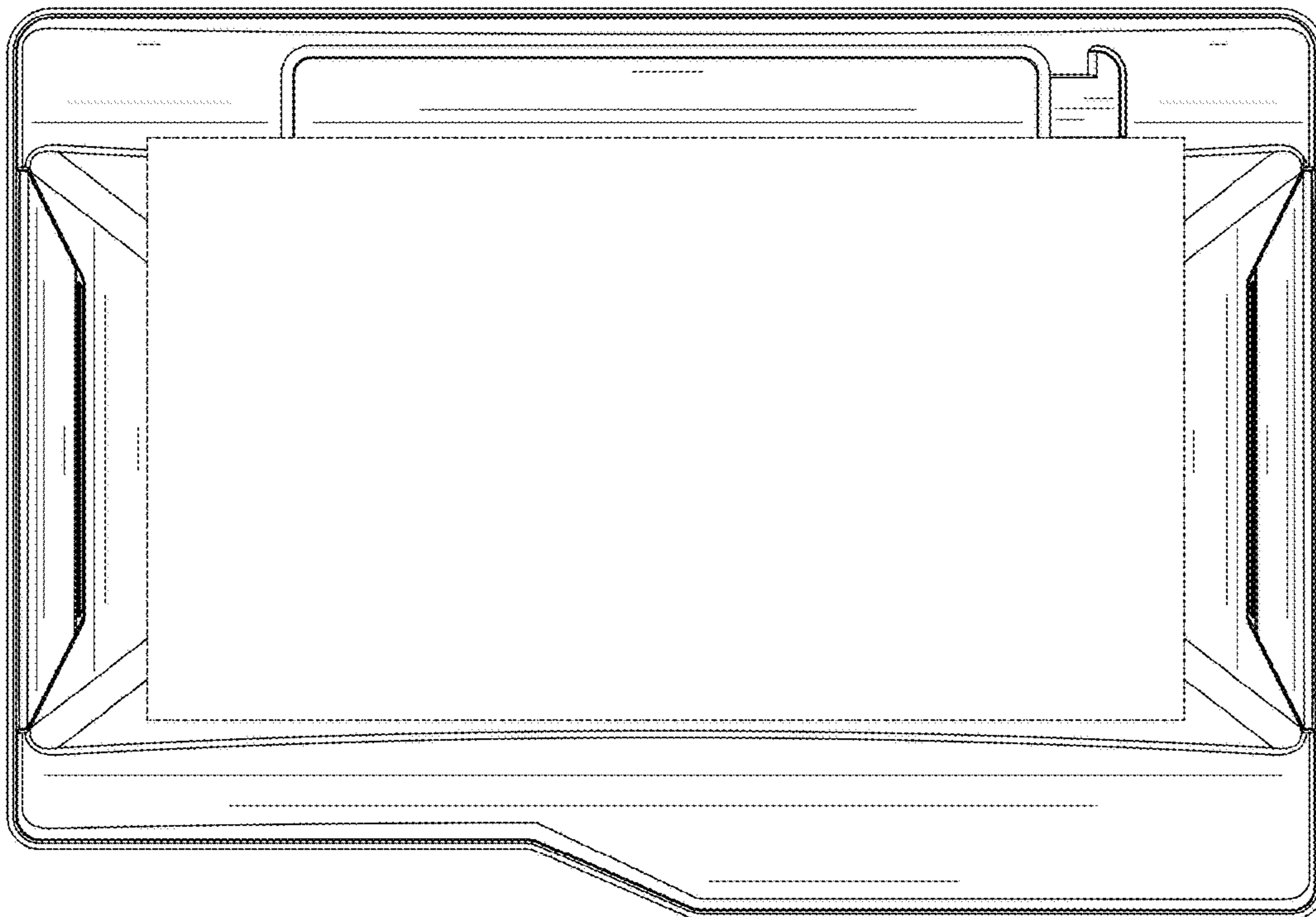


FIG. 14

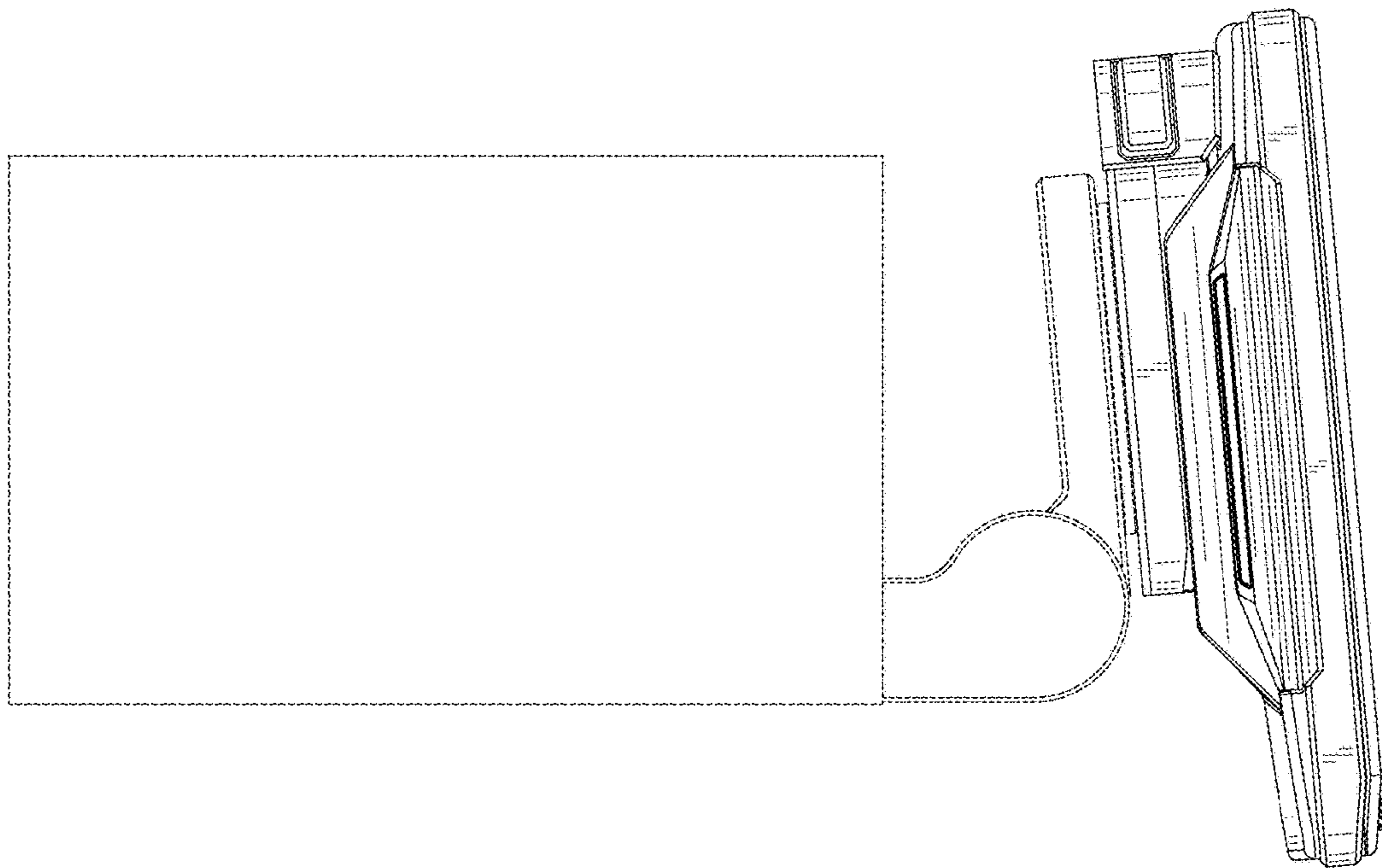


FIG. 15

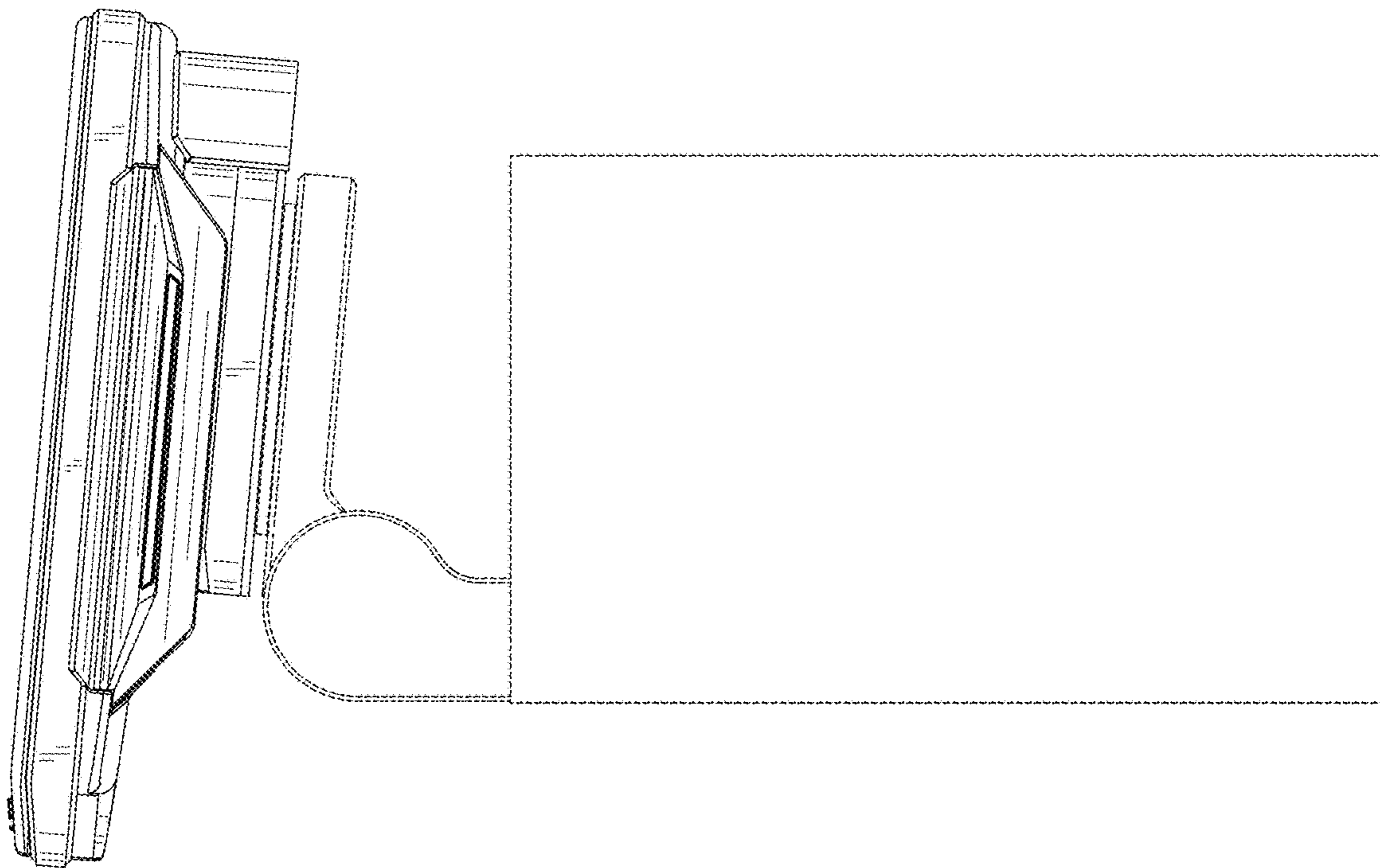


FIG. 16

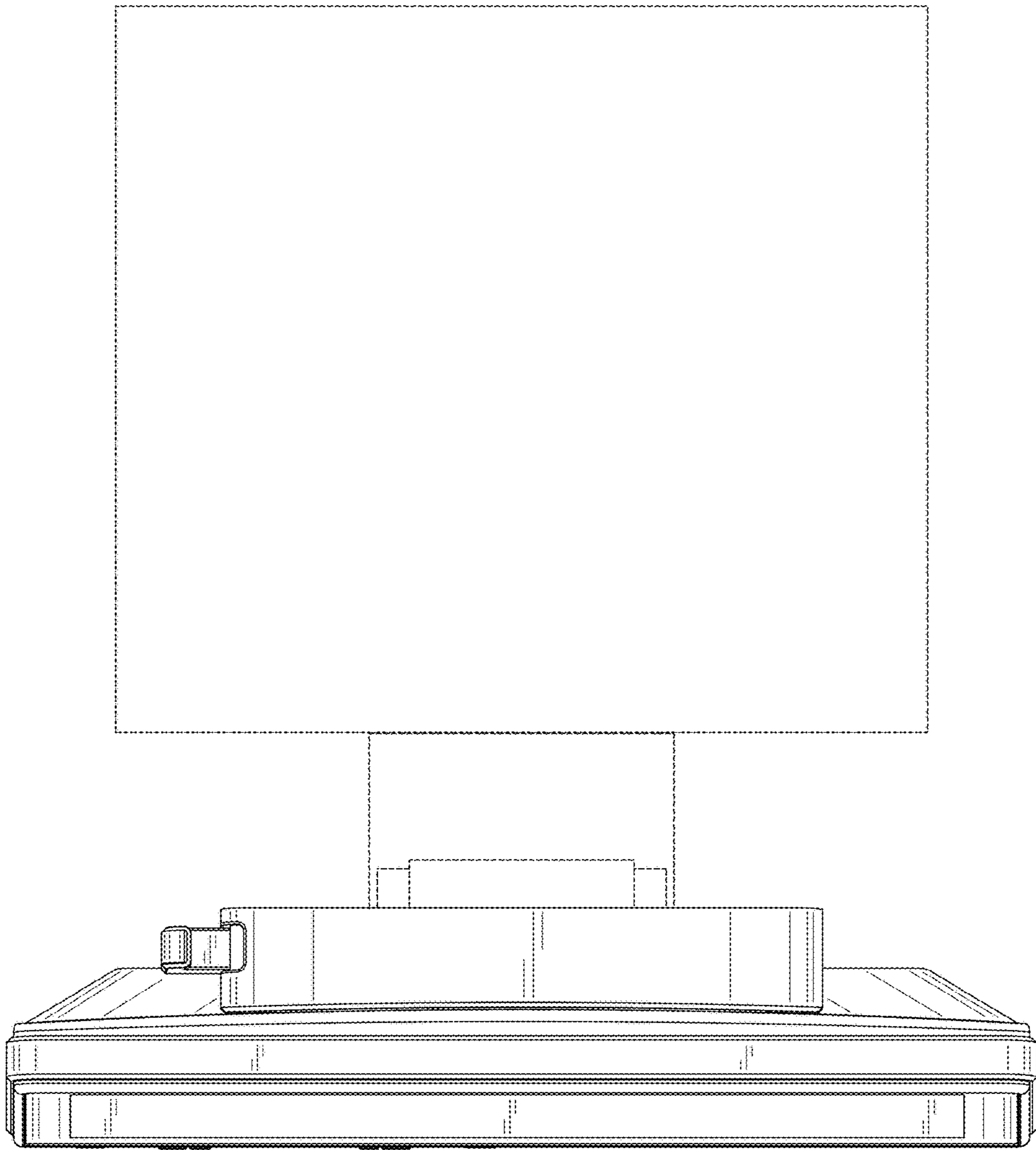


FIG. 17

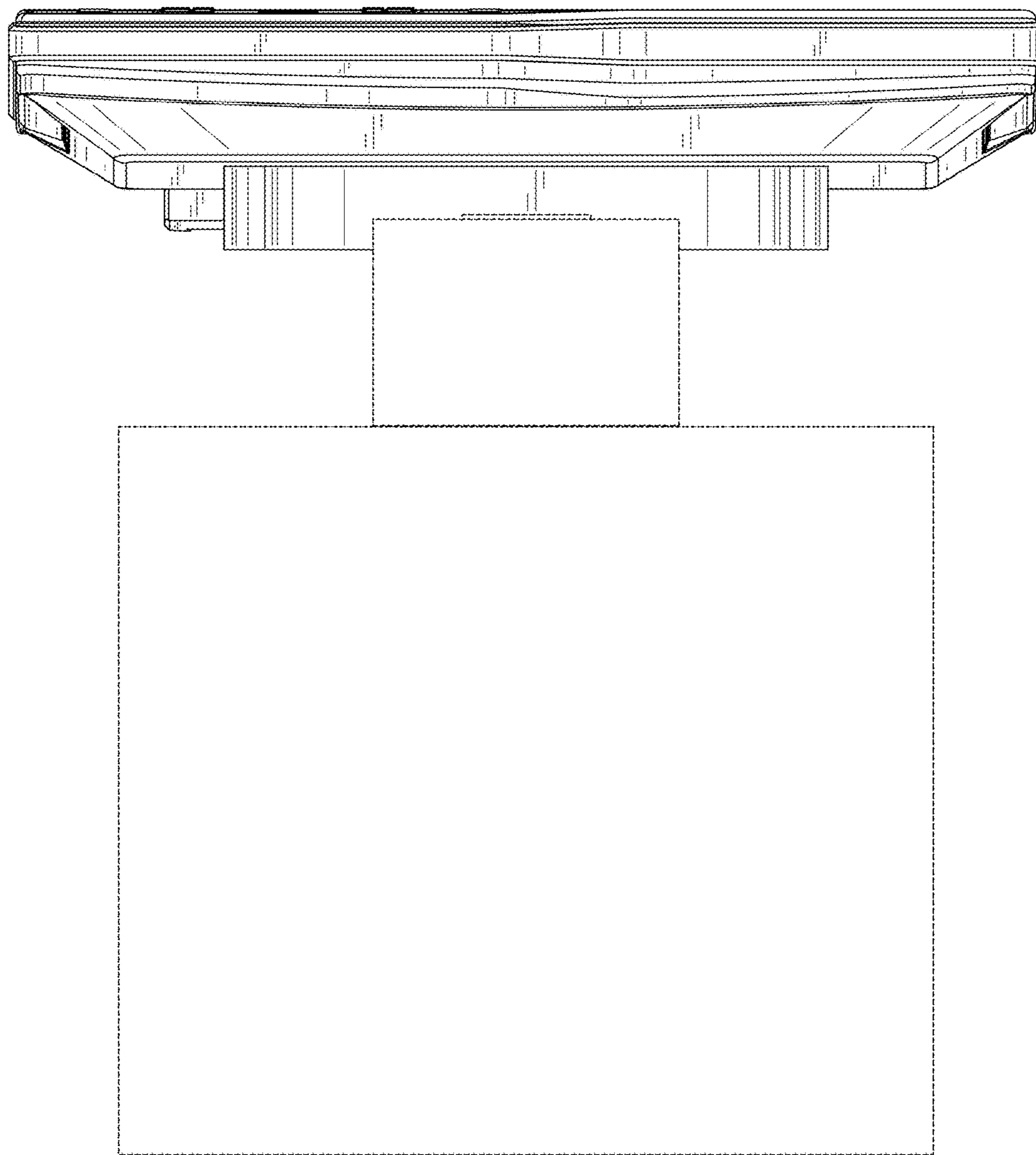


FIG. 18

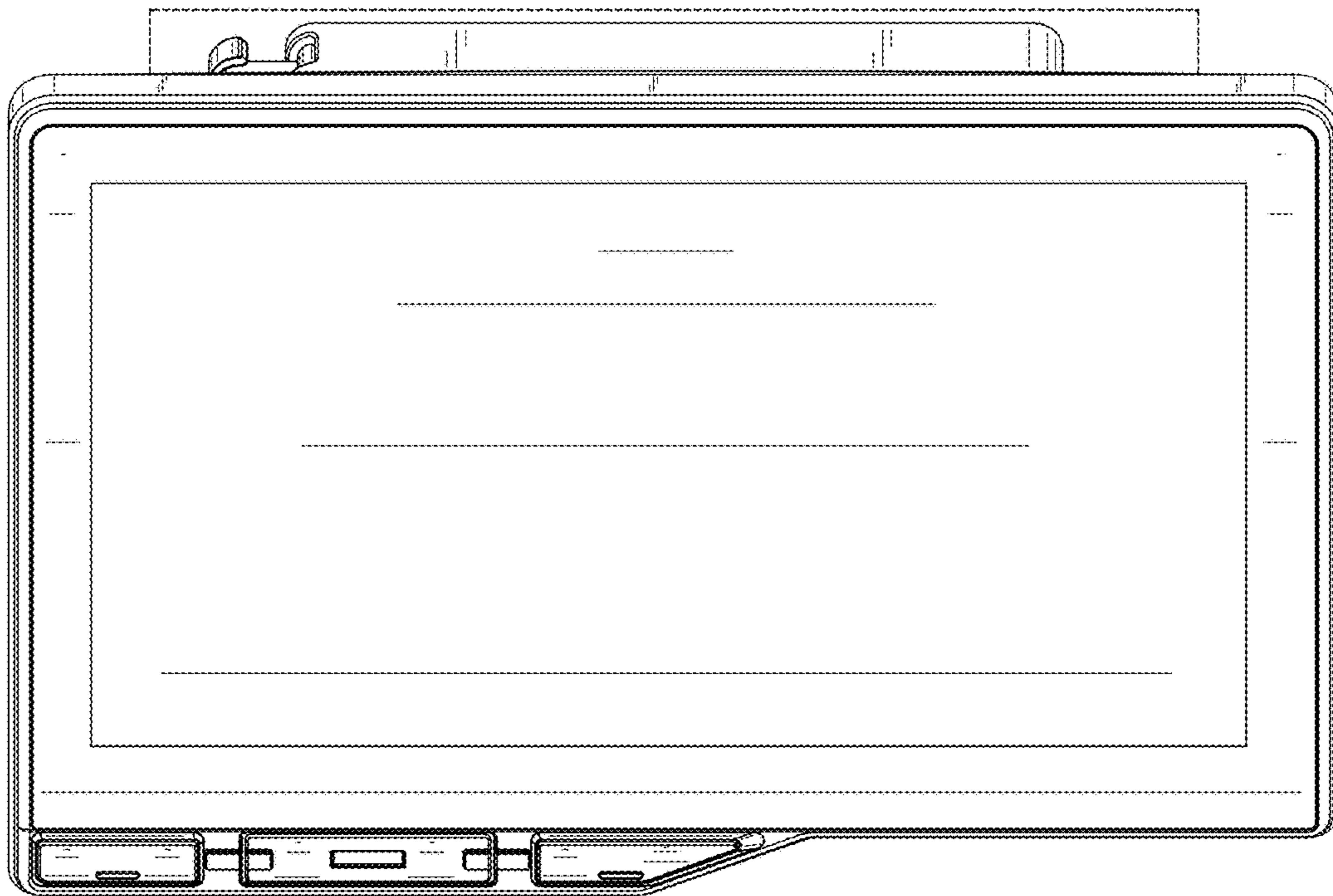


FIG. 19

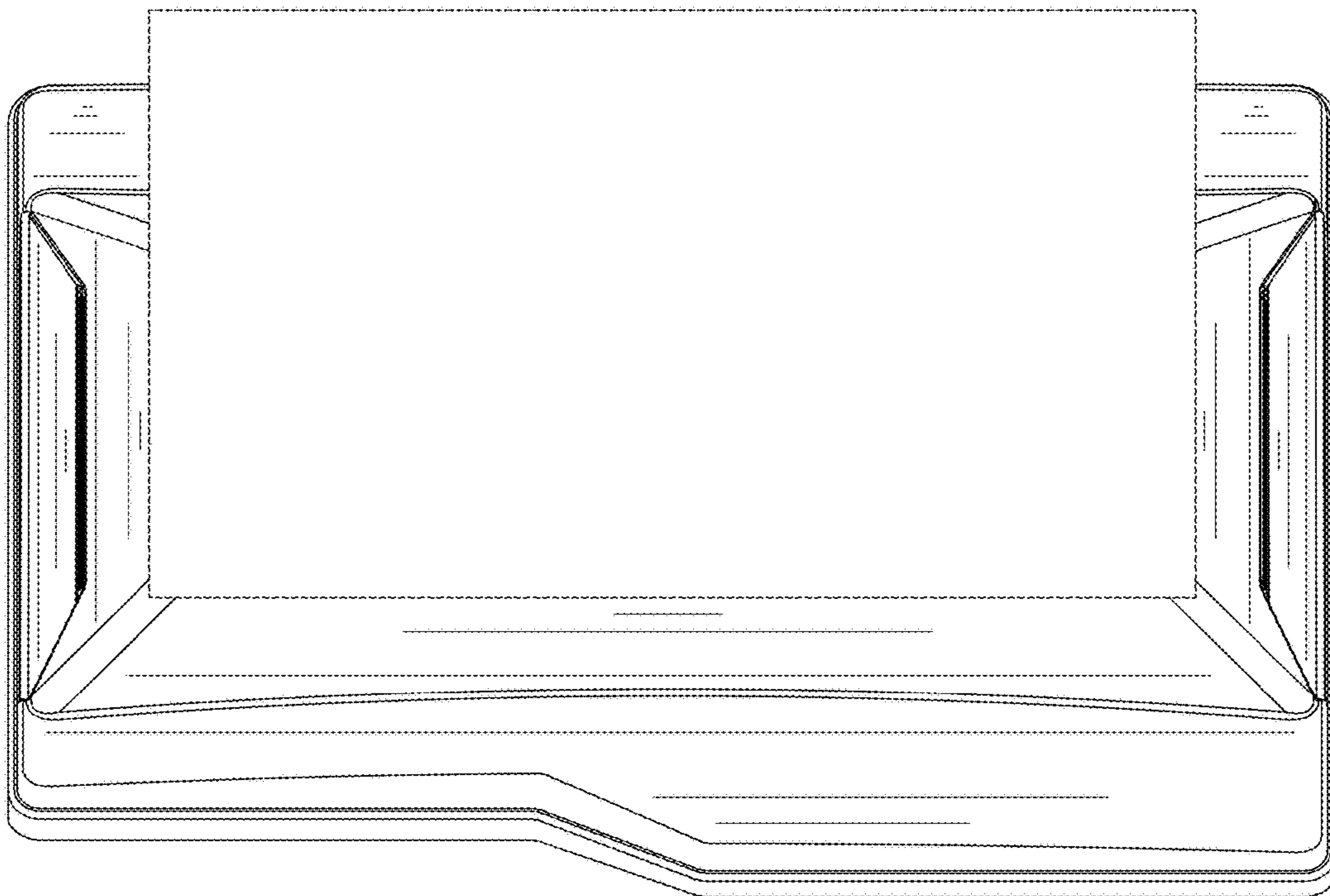


FIG. 20

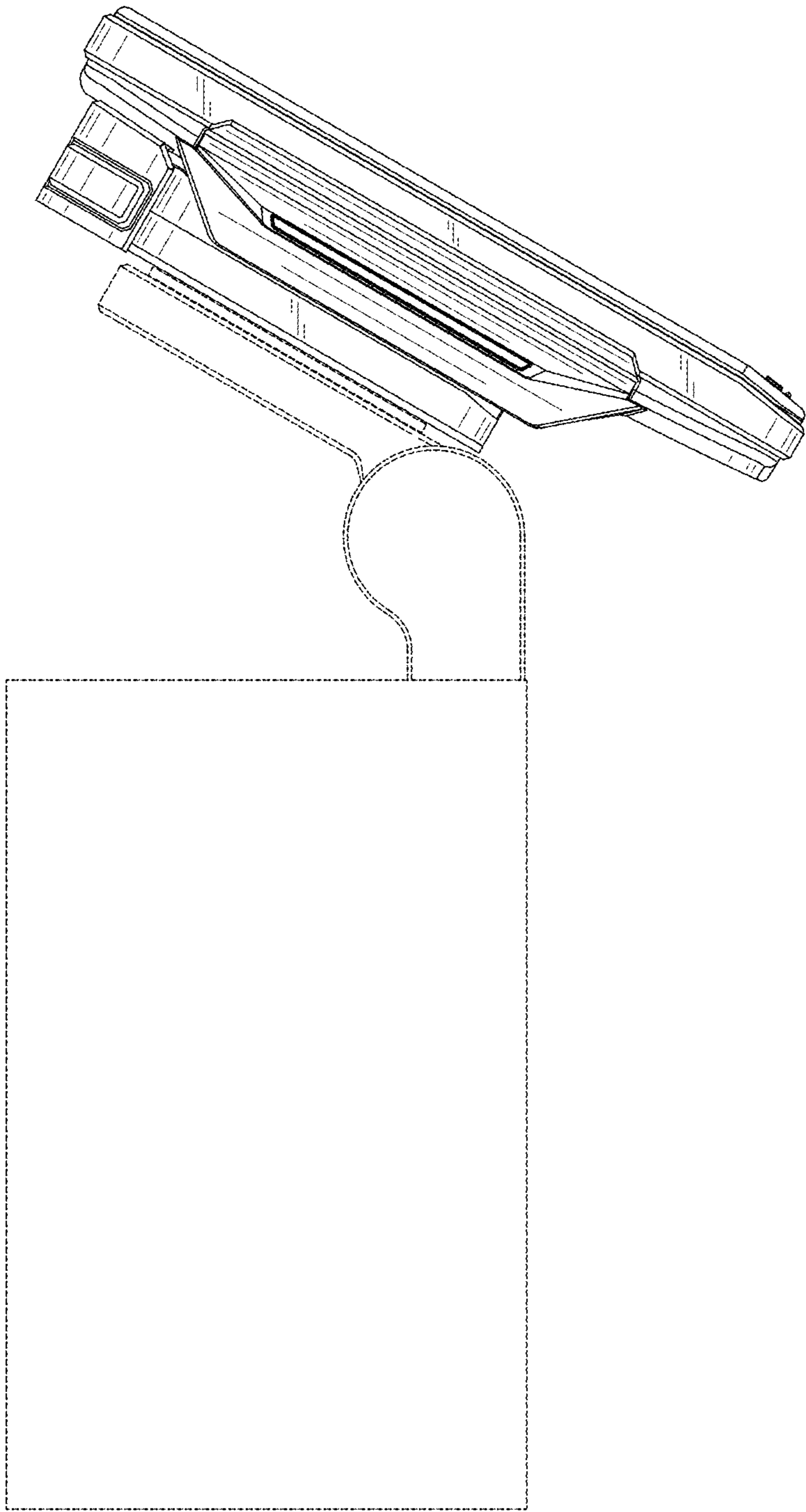


FIG. 21

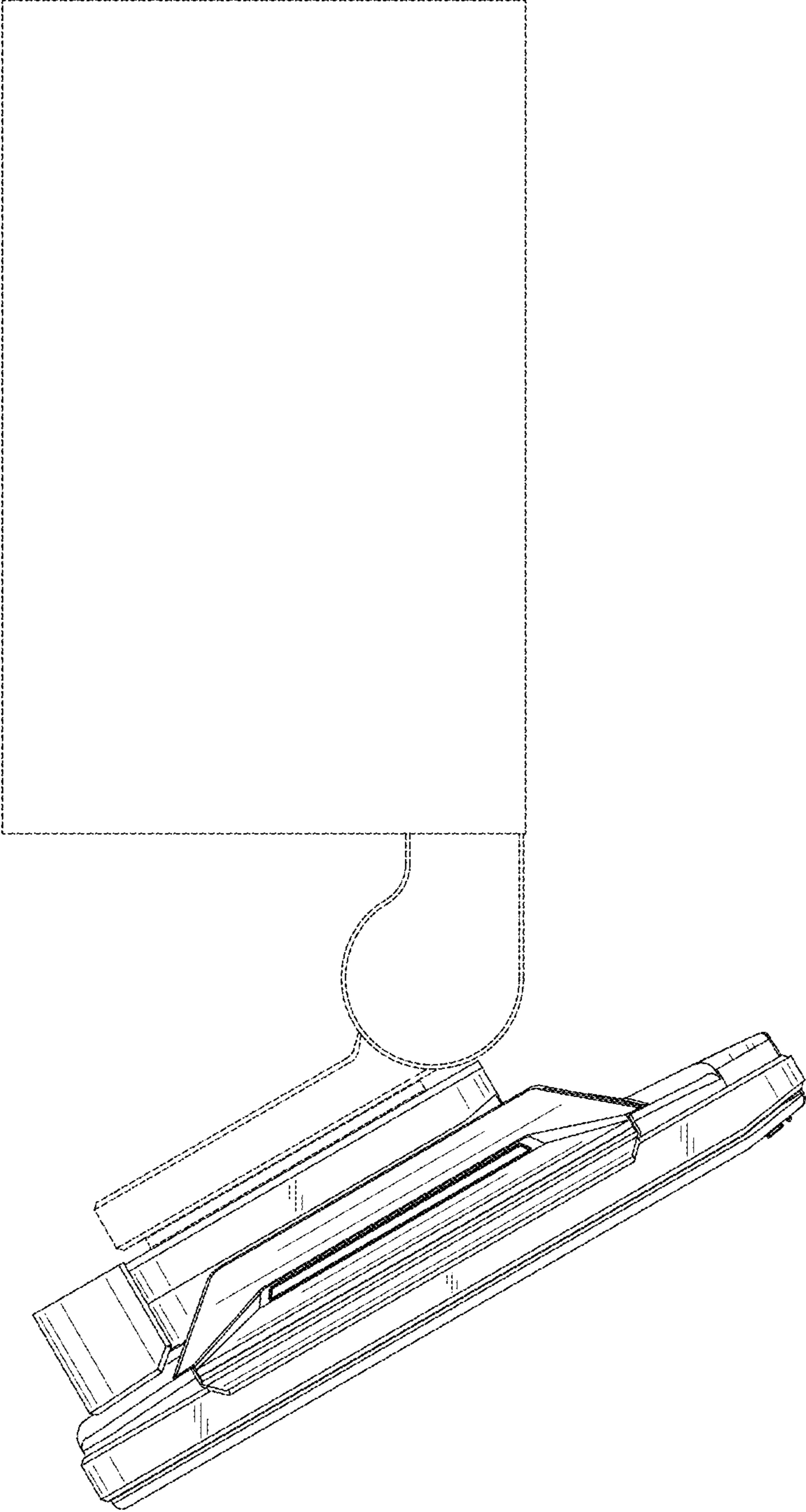


FIG. 22

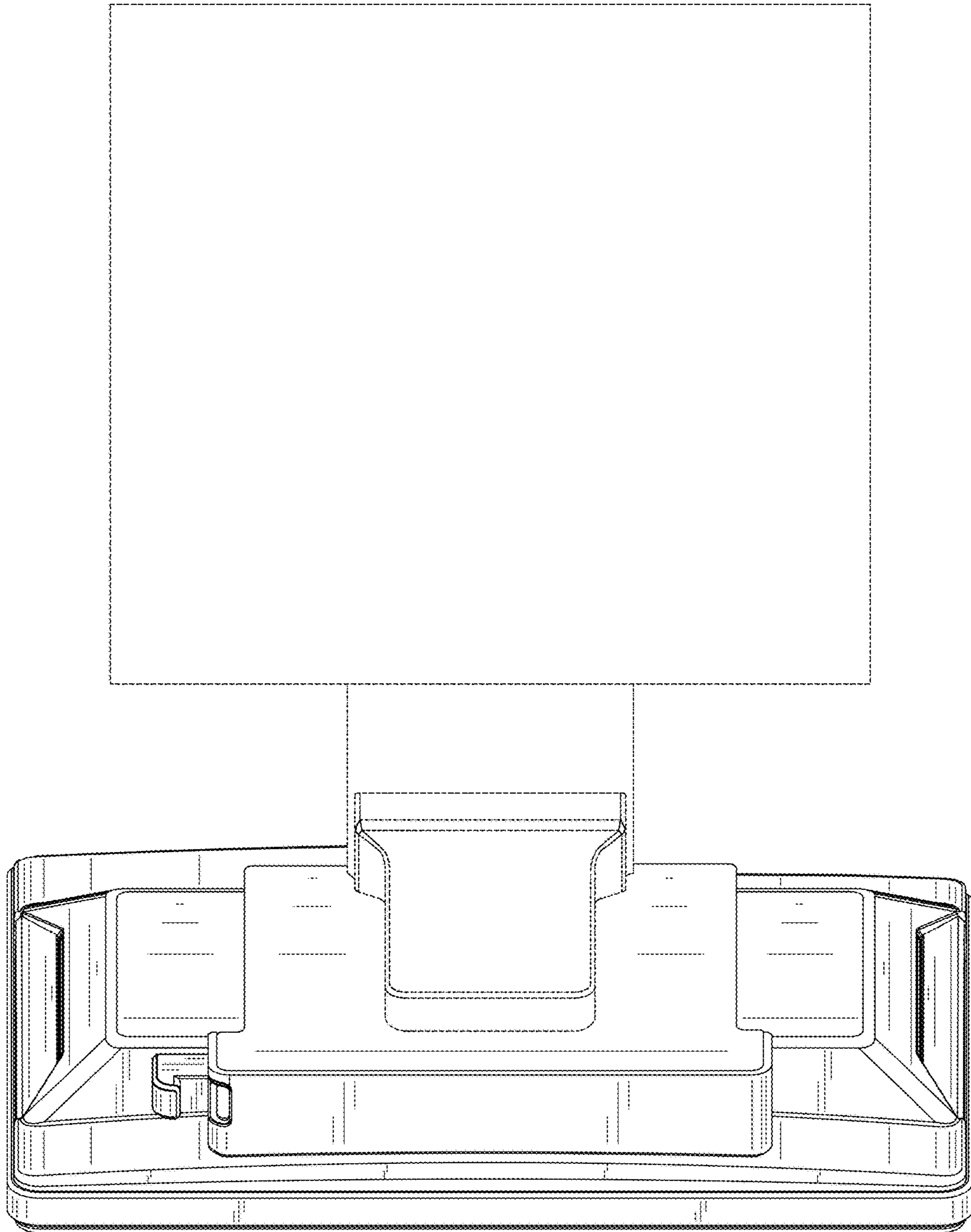


FIG. 23

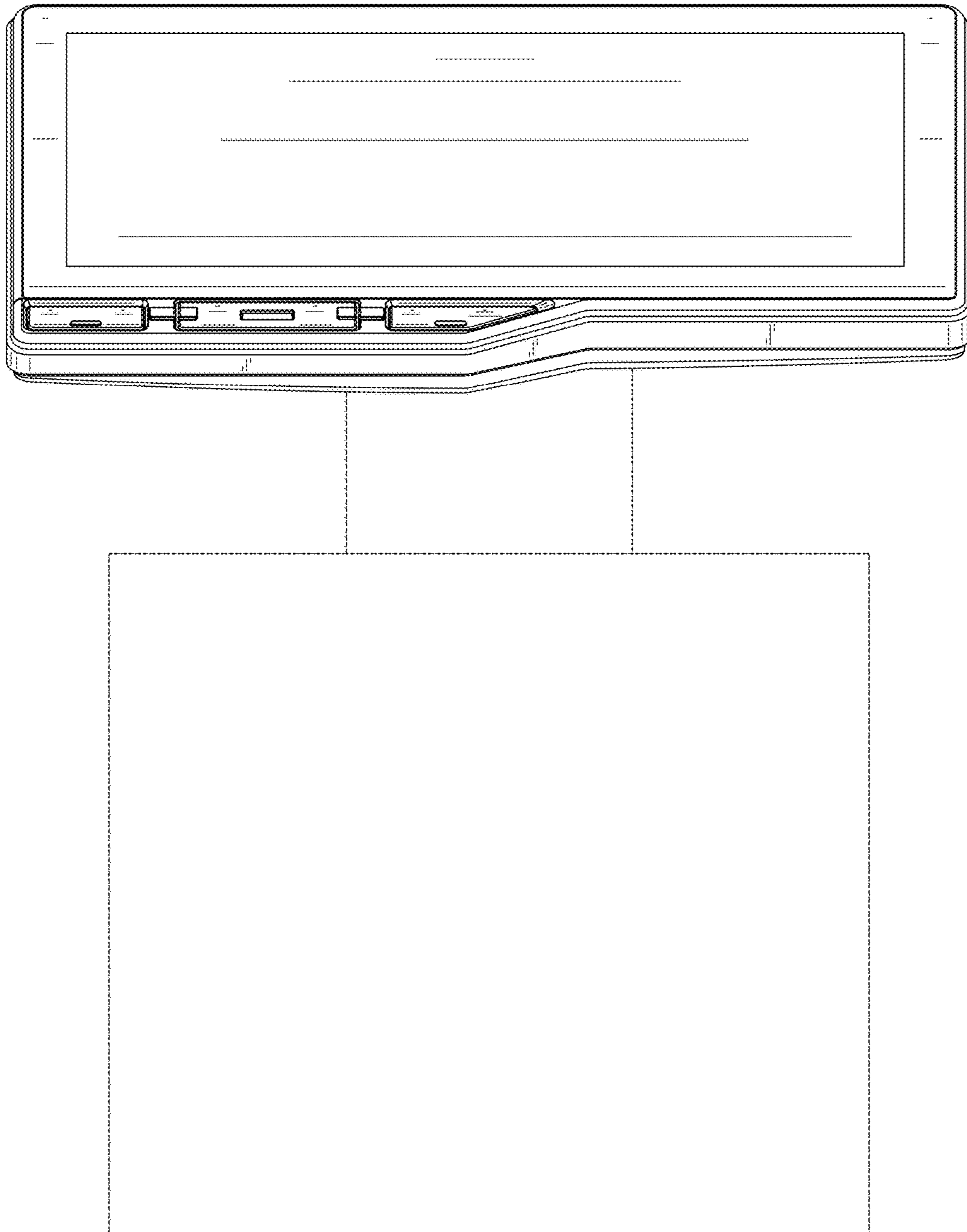


FIG. 24