



US00D807840S

(12) **United States Design Patent**
Lee et al.

(10) **Patent No.:** **US D807,840 S**
(45) **Date of Patent:** **** Jan. 16, 2018**

(54) **SET-TOP BOX**

1/16; G06F 1/181; G06F 1/0246; G06F
1/1625; G06F 1/1626; G10L 19/00

(71) Applicant: **LG ELECTRONICS INC.**, Seoul
(KR)

See application file for complete search history.

(72) Inventors: **Yongho Lee**, Seoul (KR); **Jongchul Kim**, Seoul (KR); **Jeongrok Lee**, Seoul (KR); **Kyongtae Han**, Seoul (KR); **Sunggu Joe**, Seoul (KR)

(56) **References Cited**

U.S. PATENT DOCUMENTS

(73) Assignee: **LG ELECTRONICS INC.**, Seoul
(KR)

D549,191 S *	8/2007	Paradise	D14/125
D650,377 S *	12/2011	Akana	D14/314
D658,611 S *	5/2012	Bang	D14/125
D662,904 S *	7/2012	Wu	D14/125
D717,749 S *	11/2014	Nakano	D14/125
D727,360 S *	4/2015	Peng	D14/203.1
D745,479 S *	12/2015	McManigal	D14/125
D777,126 S *	1/2017	Odryna	D14/125
D797,100 S *	9/2017	Wieser	D14/300
D797,808 S *	9/2017	Peng	D14/496
D800,081 S *	10/2017	Koo	D14/125

(**) Term: **15 Years**

* cited by examiner

(21) Appl. No.: **35/501,822**

(22) Filed: **May 2, 2016**

Primary Examiner — Keli L Hill

(80) **Hague Agreement Data**

Int. Filing Date: **May 2, 2016**

Int. Reg. No.: **DM/090600**

Int. Reg. Date: **May 2, 2016**

Int. Reg. Pub. Date: **Nov. 4, 2016**

(74) *Attorney, Agent, or Firm* — Birch, Stewart, Kolasch & Birch, LLP

(57) **CLAIM**

The ornamental design for a set-top box, as shown and described.

(30) **Foreign Application Priority Data**

Nov. 5, 2015 (KR) 30-2015-0055928

(51) **LOC (11) Cl.** **14-03**

(52) **U.S. Cl.**
USPC **D14/125**

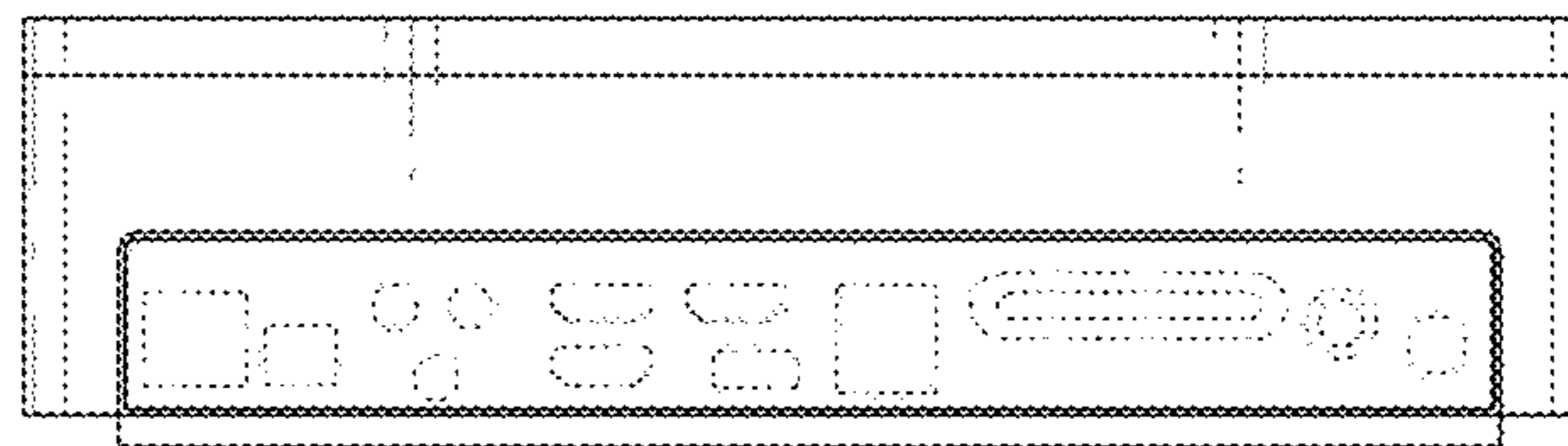
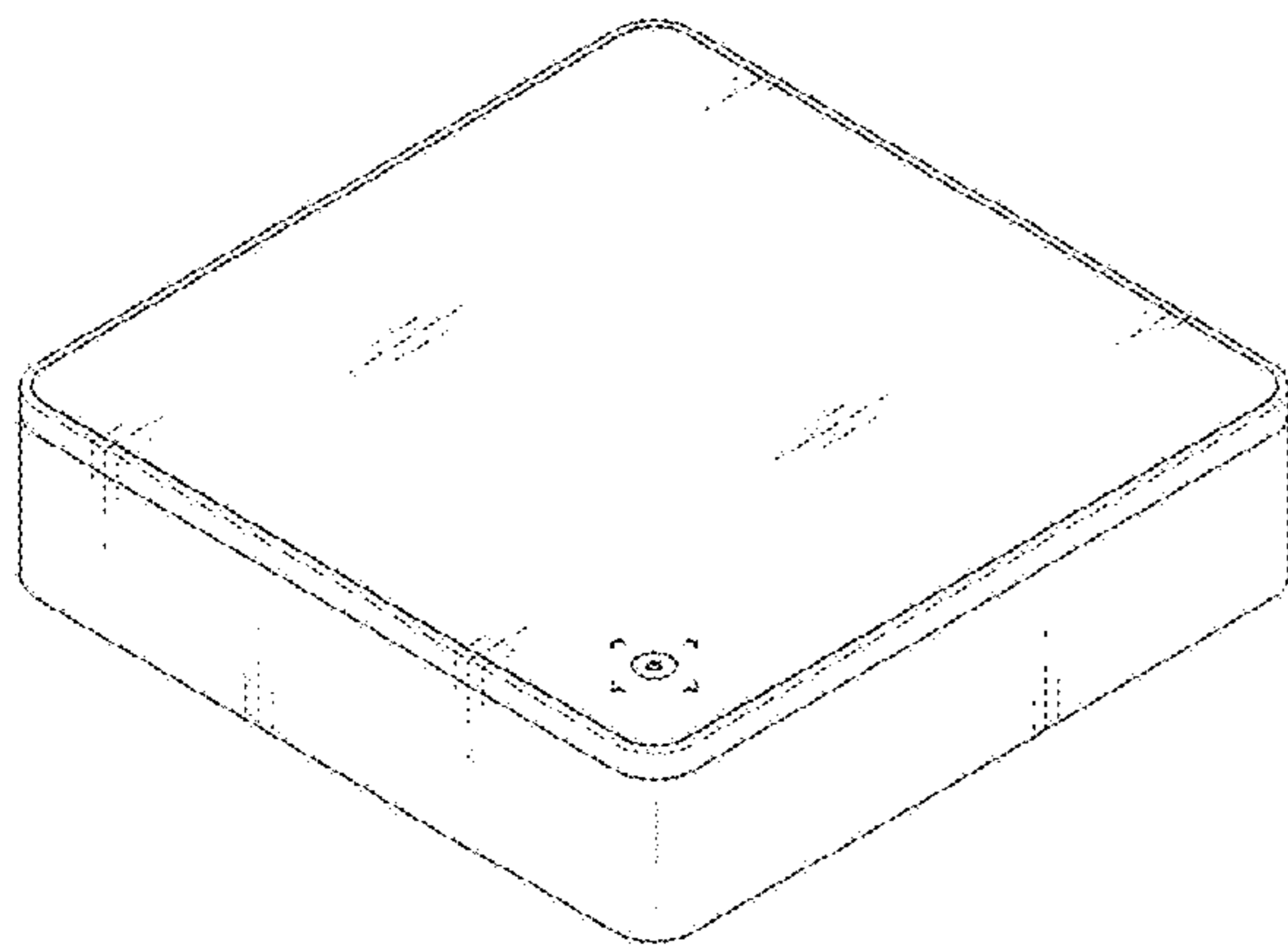
(58) **Field of Classification Search**
USPC ... D14/125, 357-358, 496, 188, 242, 432 H;
D13/184; 348/10, 460, 706, 731;
340/825.03; 455/6.1, 6.2; 312/223.1, 7.2
CPC .. H04N 5/44; H04N 5/50; H04N 5/64; H04N
5/268; H04N 5/485; H04N 5/4401; H04N
5/44543; H04N 21/235; H04N 21/4382;
H04N 21/4622; H04N 21/43615; H05K
5/02; H05K 5/03; H05K 5/0217; G06F

DESCRIPTION

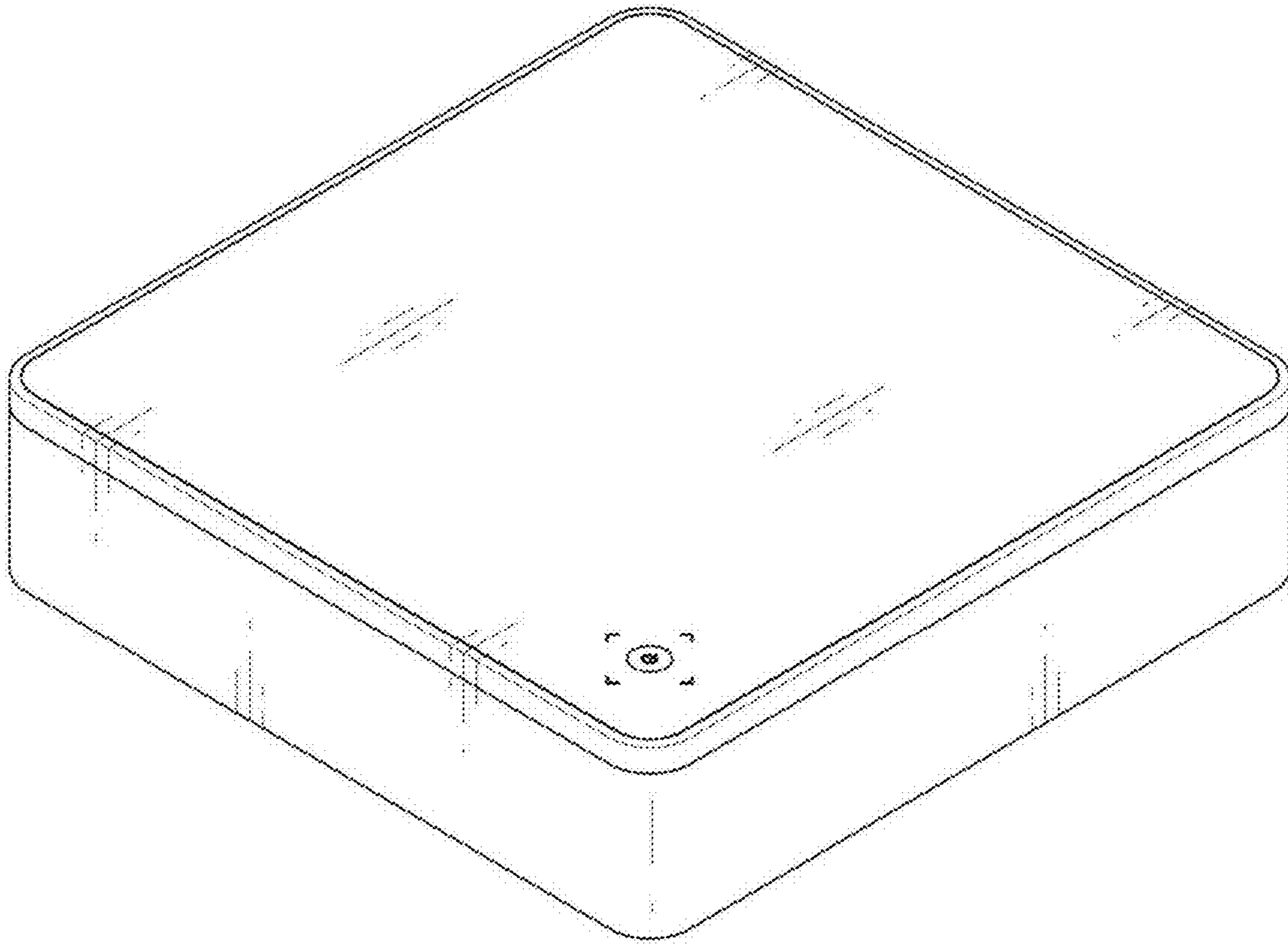
- 1. Set-top box
- 1.1 : Perspective
- 1.2 : Front
- 1.3 : Back
- 1.4 : Left
- 1.5 : Right
- 1.6 : Top
- 1.7 : Bottom

The broken lines shown are included for the purpose of illustrating portions of the set-top box that form no part of the claim.

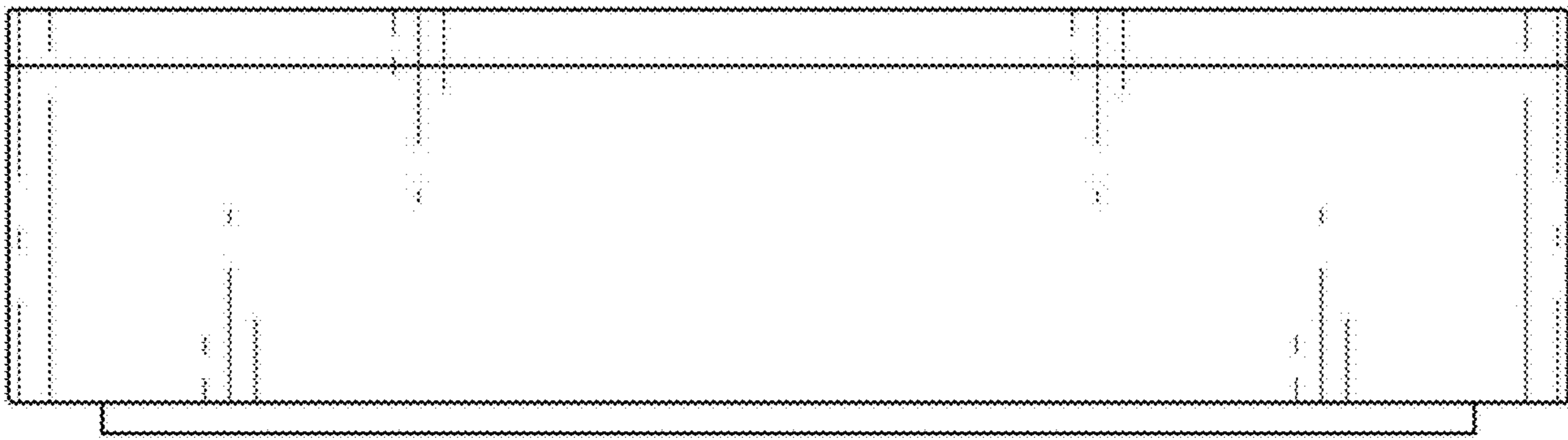
1 Claim, 7 Drawing Sheets



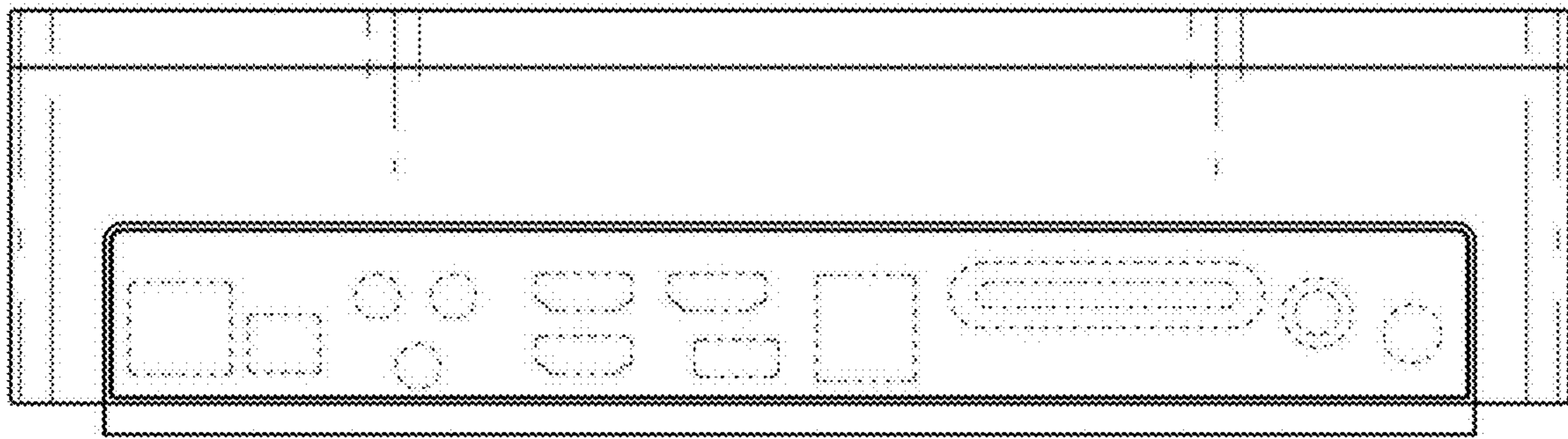
1.1



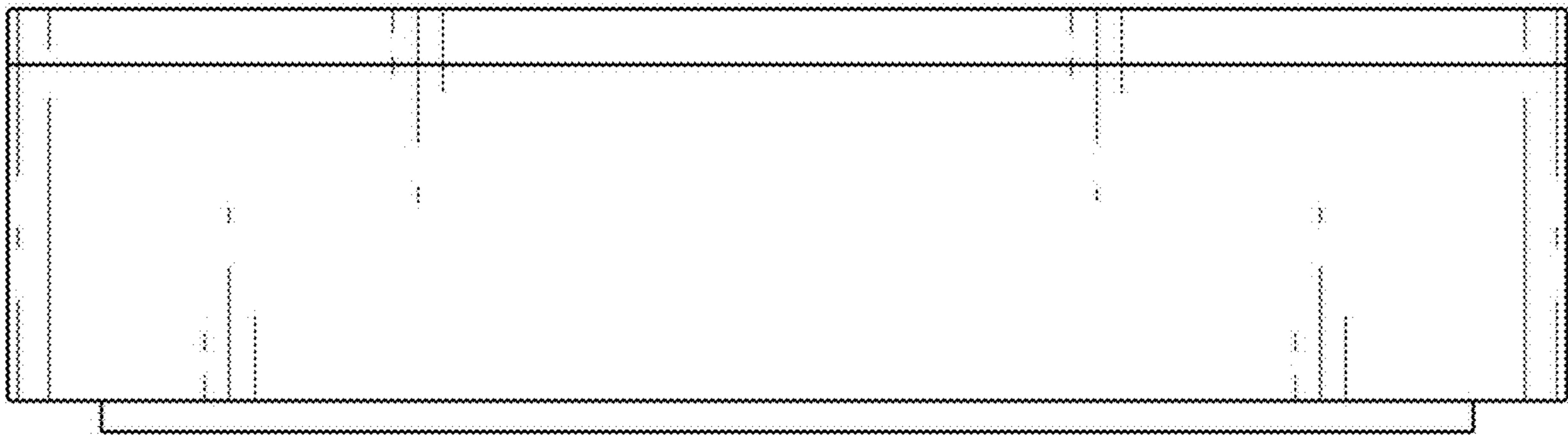
1.2



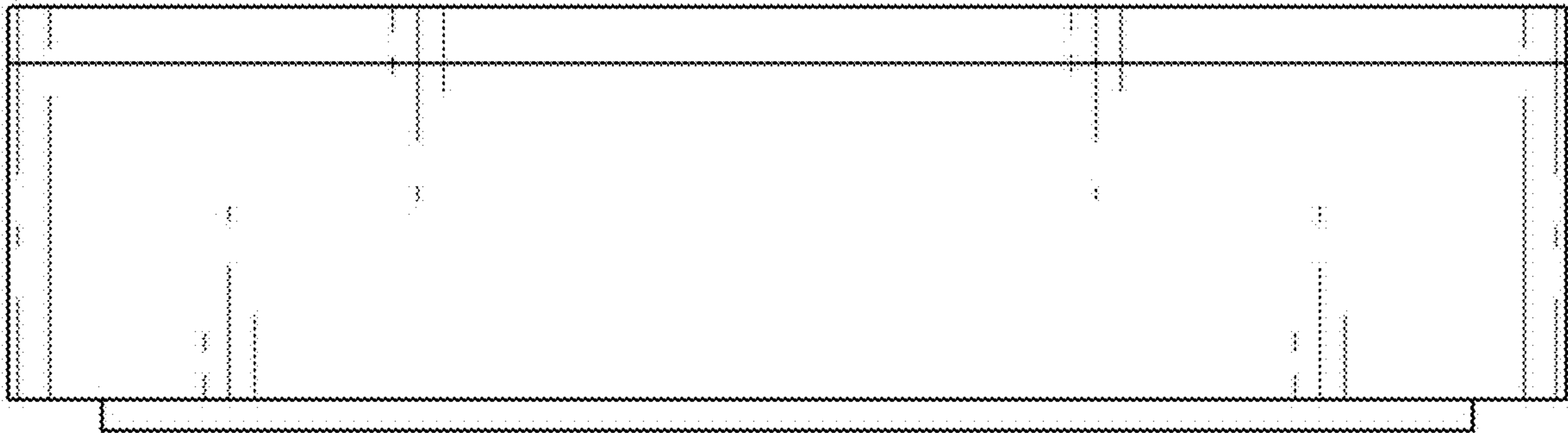
1.3



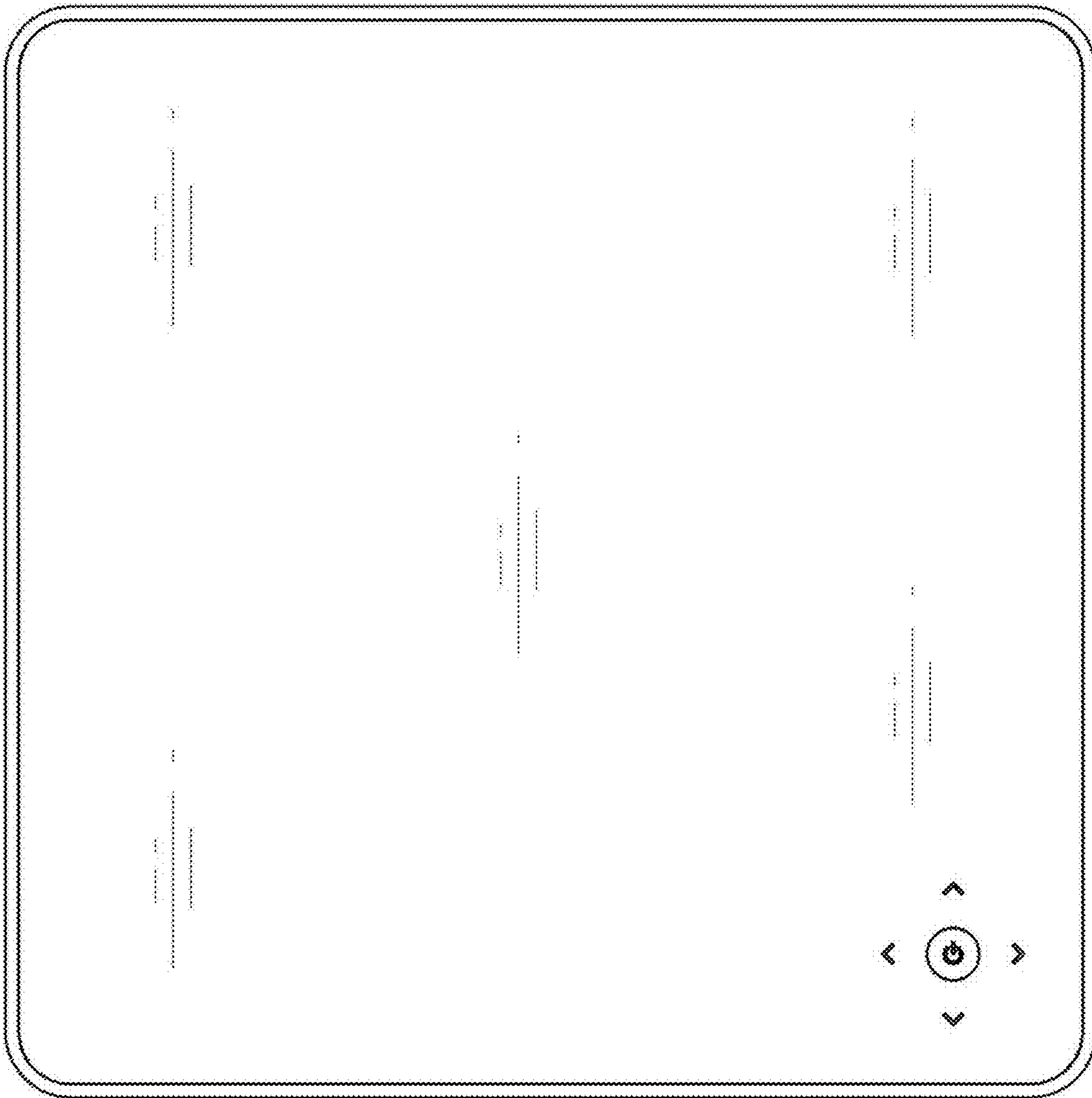
1.4



1.5



1.6



1.7

