



US00D807838S

(12) **United States Design Patent** (10) **Patent No.:** **US D807,838 S**  
**Kayanuma et al.** (45) **Date of Patent:** **\*\* Jan. 16, 2018**

(54) **LIGHT-EMITTING DIODE**

H01L 33/20; H01L 33/38; H01L 33/42;  
H01L 33/4862; H01L 33/483; H01L  
33/486

(71) Applicants: **CITIZEN ELECTRONICS CO., LTD.**, Yamanashi-ken (JP); **CITIZEN WATCH CO., LTD.**, Tokyo (JP)

See application file for complete search history.

(72) Inventors: **Yasuaki Kayanuma**, Yamanashi-ken (JP); **Tatsuro Yamada**, Yamanashi-ken (JP); **Yuki Nishikawa**, Shiga-ken (JP); **Yuki Ochiai**, Yamanashi-ken (JP)

(56) **References Cited**

U.S. PATENT DOCUMENTS

(73) Assignees: **CITIZEN ELECTRONICS CO., LTD.**, Yamanashi-Ken (JP); **CITIZEN WATCH CO., LTD.**, Tokyo (JP)

D618,635 S 6/2010 Imai  
D658,603 S 5/2012 Egawa  
D669,041 S 10/2012 Imai  
D683,708 S 6/2013 Sasano  
8,633,499 B2 1/2014 Shimonishi  
(Continued)

(\*\*) Term: **15 Years**

FOREIGN PATENT DOCUMENTS

(21) Appl. No.: **29/598,110**

JP D1465336 3/2013  
JP D1465337 3/2013

(22) Filed: **Mar. 23, 2017**

(Continued)

*Primary Examiner* — Selina Sikder

(74) *Attorney, Agent, or Firm* — Wenderoth, Lind & Ponack, L.L.P.

**Related U.S. Application Data**

(62) Division of application No. 29/546,032, filed on Nov. 18, 2015, now Pat. No. Des. 786,808.

(57) **CLAIM**

The ornamental design for a light-emitting diode, as shown and described.

(30) **Foreign Application Priority Data**

**DESCRIPTION**

May 20, 2015 (JP) ..... D2015-011003  
May 20, 2015 (JP) ..... D2015-011022  
May 20, 2015 (JP) ..... D2015-011023  
May 20, 2015 (JP) ..... D2015-011024  
May 20, 2015 (JP) ..... D2015-011026

FIG. 1 is a top perspective view of a light-emitting diode showing an upper surface with front and left side surfaces; FIG. 2 is a bottom perspective view thereof showing a bottom surface with rear and right side surfaces; FIG. 3 is a front view thereof; FIG. 4 is a rear view thereof; FIG. 5 is a top plan view thereof; FIG. 6 is a bottom plan view thereof; and, FIG. 7 is a left side view thereof, a right side view being a mirror image of FIG. 7.

(51) **LOC (11) Cl.** ..... **13-03**

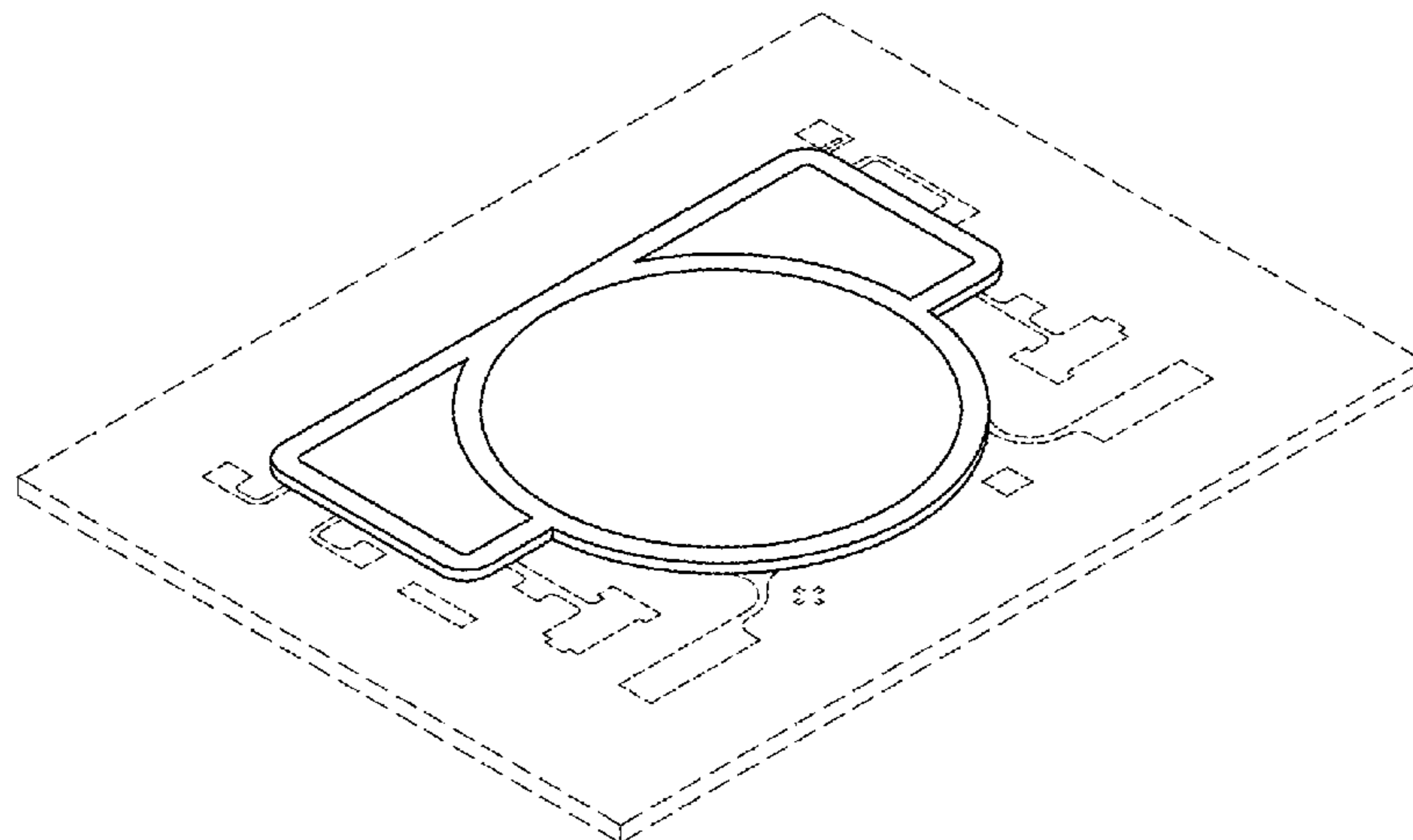
(52) **U.S. Cl.**  
USPC ..... **D13/180**

The broken lines shown herein are for illustrative purpose only and form no part of the claimed design.

(58) **Field of Classification Search**

USPC ..... D13/180; D26/1  
CPC ... H01L 25/167; H01L 25/0753; H01L 27/15;  
H01L 27/156; H01L 31/02; H01L 33/00;  
H01L 33/04; H01L 33/08; H01L 33/10;

**1 Claim, 3 Drawing Sheets**



(56)

**References Cited**

U.S. PATENT DOCUMENTS

|              |     |         |                 |         |
|--------------|-----|---------|-----------------|---------|
| D714,236     | S   | 9/2014  | Watanabe et al. |         |
| D727,860     | S   | 4/2015  | Watanabe et al. |         |
| 9,046,226    | B2  | 6/2015  | Shimozawa       |         |
| 9,059,376    | B2  | 6/2015  | Chou            |         |
| 9,130,140    | B2  | 9/2015  | Tsuchiya        |         |
| 9,219,203    | B2  | 12/2015 | Hata            |         |
| D762,182     | S   | 7/2016  | Akiyama         |         |
| D766,196     | S   | 9/2016  | Akiyama         |         |
| D786,808     | S * | 5/2017  | Kayanuma .....  | D13/180 |
| D788,720     | S * | 6/2017  | Akiyama .....   | D13/180 |
| D788,721     | S * | 6/2017  | Akiyama .....   | D13/180 |
| D789,308     | S * | 6/2017  | Ochiai .....    | D13/180 |
| D789,309     | S * | 6/2017  | Akiyama .....   | D13/180 |
| D791,089     | S * | 7/2017  | Goto .....      | D13/180 |
| 2010/0320483 | A1  | 12/2010 | Kadotani        |         |
| 2011/0084297 | A1  | 4/2011  | Ogata           |         |
| 2011/0140144 | A1  | 6/2011  | Lim             |         |
| 2012/0106155 | A1  | 5/2012  | Hata            |         |
| 2013/0193462 | A1  | 8/2013  | Ishizaki        |         |
| 2014/0268783 | A1  | 9/2014  | Agatani         |         |

FOREIGN PATENT DOCUMENTS

|    |          |         |
|----|----------|---------|
| JP | D1465486 | 3/2013  |
| JP | D1481437 | 10/2013 |
| JP | D1532207 | 8/2015  |

\* cited by examiner

Fig. 1

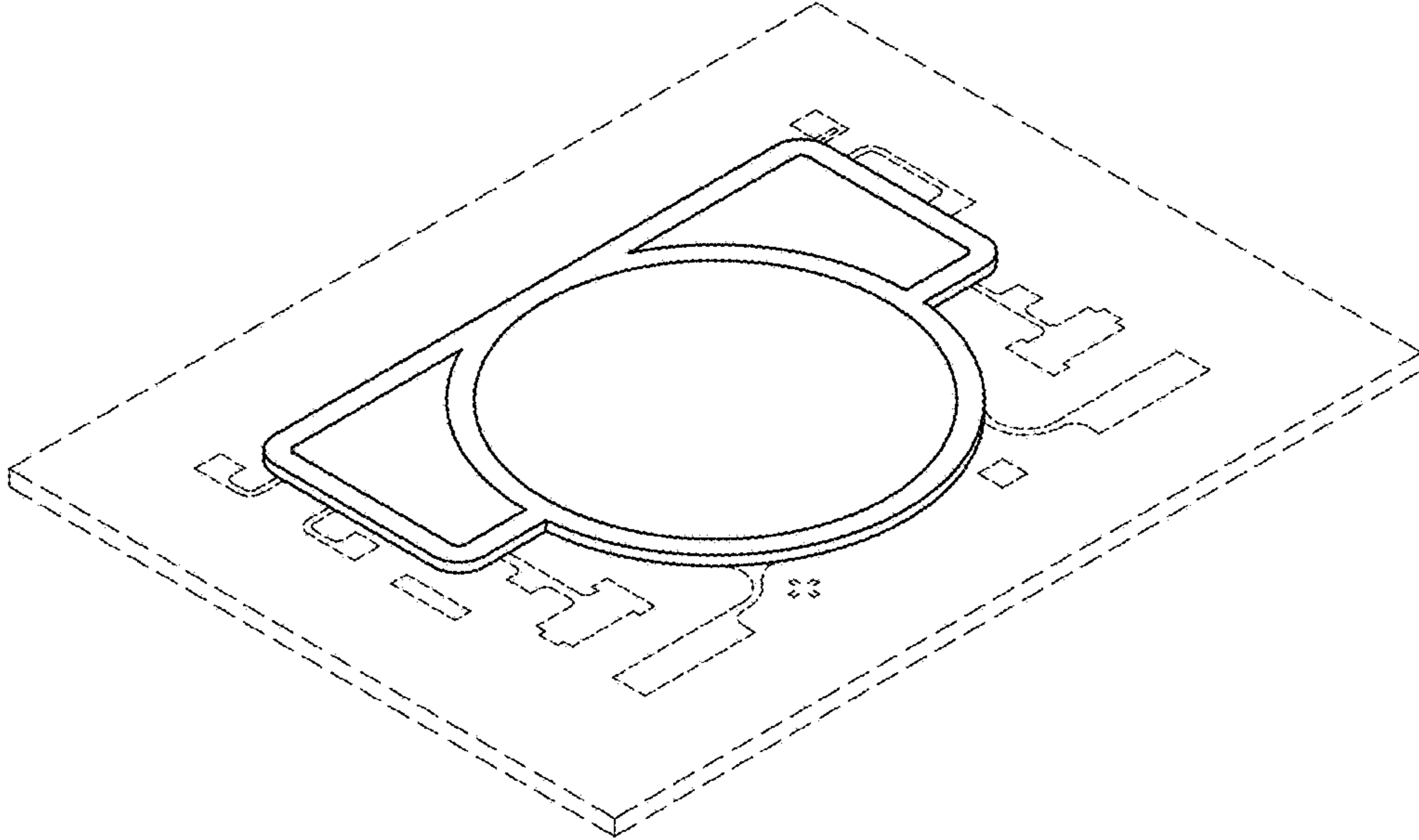


Fig. 2

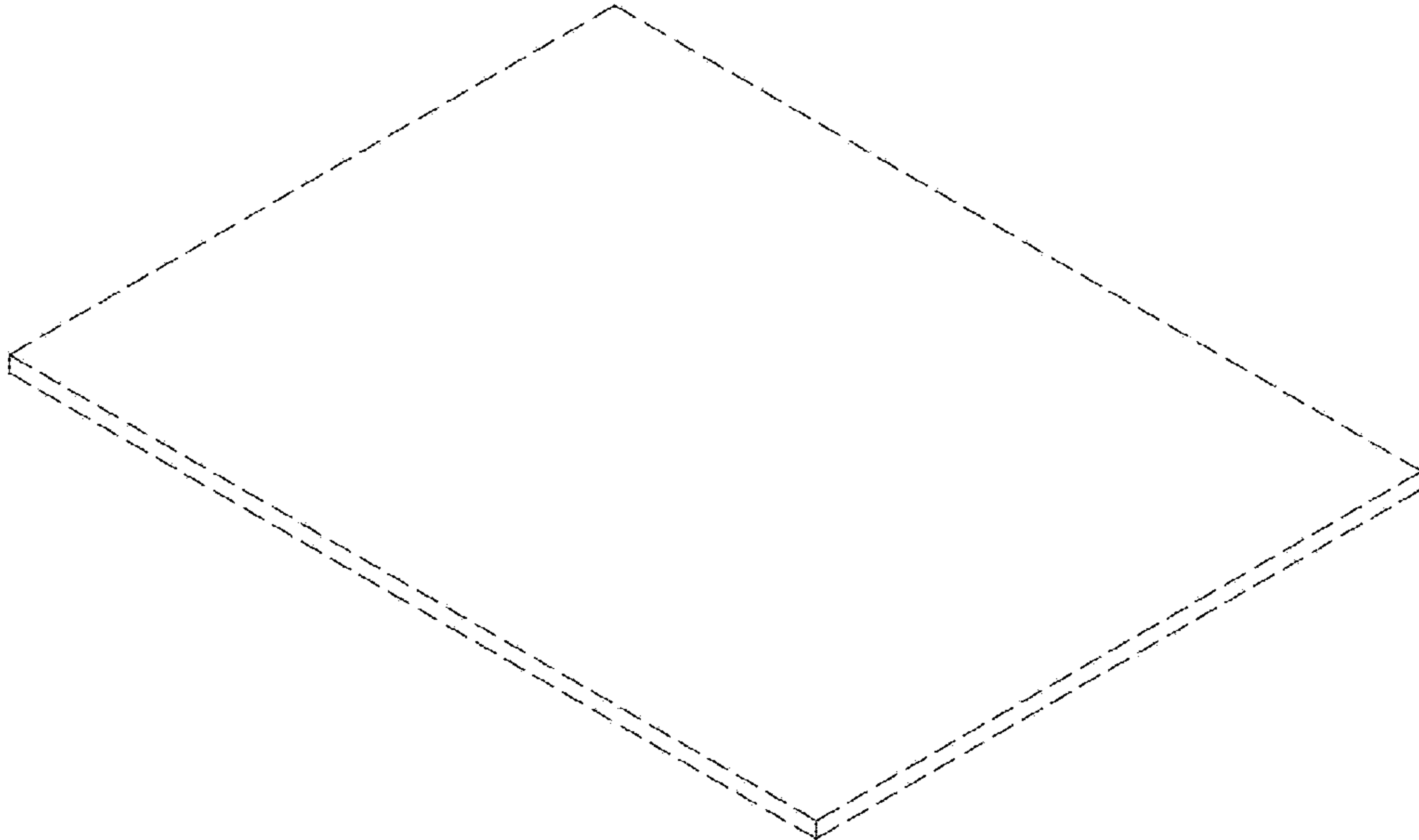


Fig. 3

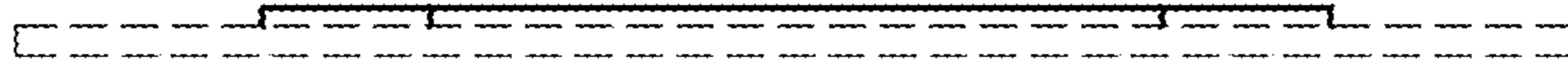


Fig. 4

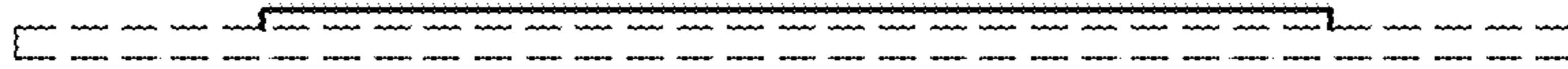


Fig. 5

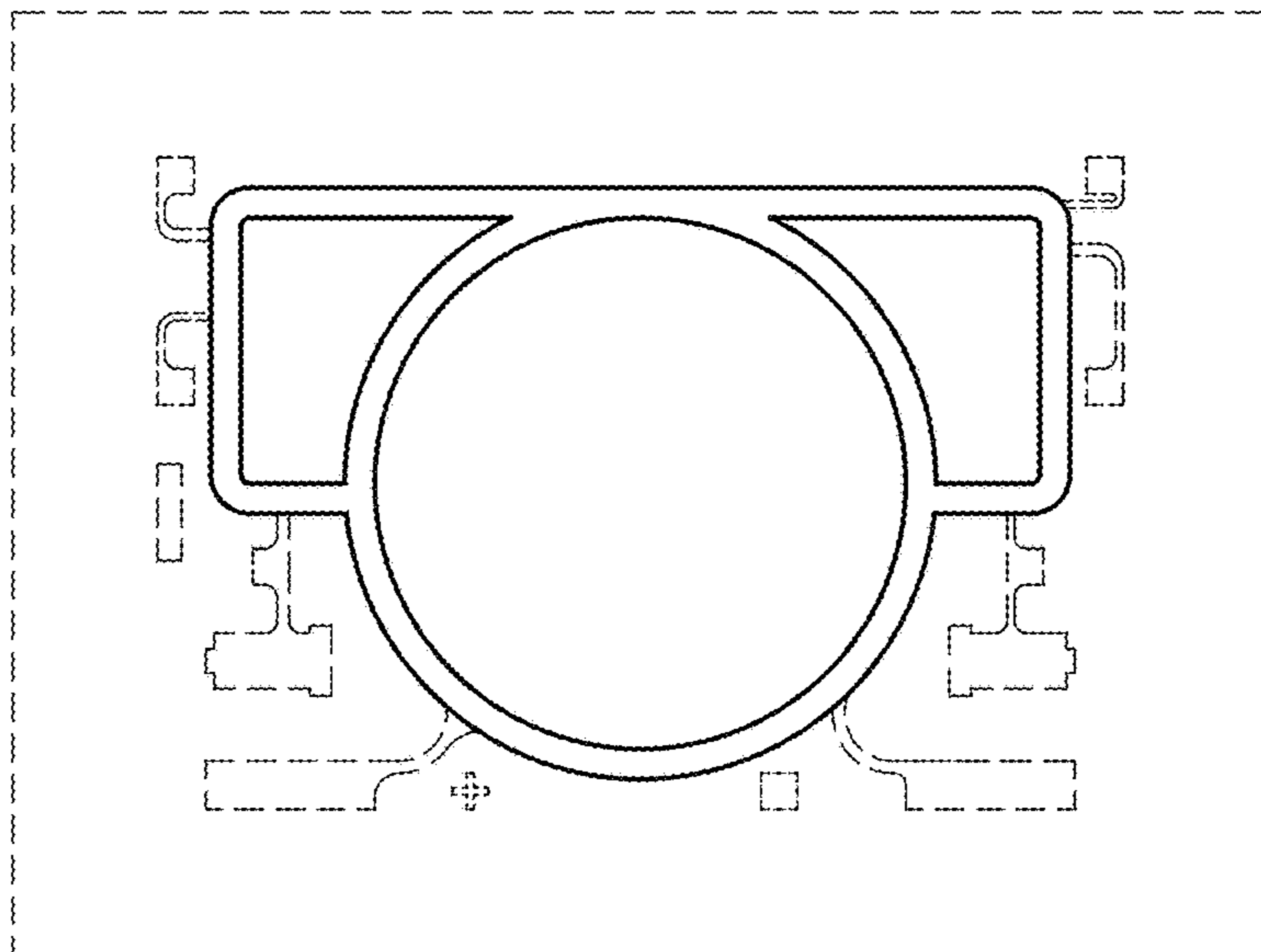


Fig. 6



Fig. 7

