



US00D807837S

(12) **United States Design Patent** (10) **Patent No.:** **US D807,837 S**  
**Kayanuma et al.** (45) **Date of Patent:** **\*\* Jan. 16, 2018**

(54) **LIGHT-EMITTING DIODE**

H01L 33/20; H01L 33/38; H01L 33/42;  
H01L 33/4862; H01L 33/483; H01L  
33/486

(71) Applicants: **CITIZEN ELECTRONICS CO., LTD.**, Yamanashi-ken (JP); **CITIZEN WATCH CO., LTD.**, Tokyo (JP)

See application file for complete search history.

(72) Inventors: **Yasuaki Kayanuma**, Yamanashi-ken (JP); **Tatsuro Yamada**, Yamanashi-ken (JP); **Yuki Nishikawa**, Shiga-ken (JP); **Yuki Ochiai**, Yamanashi-ken (JP)

(56) **References Cited**

U.S. PATENT DOCUMENTS

(73) Assignees: **CITIZEN ELECTRONICS CO., LTD.**, Yamanashi-Ken (JP); **CITIZEN WATCH CO., LTD.**, Tokyo (JP)

D618,635 S 6/2010 Imai  
D658,603 S 5/2012 Egawa  
D669,041 S 10/2012 Imai  
D683,708 S 6/2013 Sasano  
8,633,499 B2 1/2014 Shimonishi

(Continued)

(\*\*) Term: **15 Years**

FOREIGN PATENT DOCUMENTS

(21) Appl. No.: **29/598,106**

JP D1465336 3/2013  
JP D1465337 3/2013

(22) Filed: **Mar. 23, 2017**

(Continued)

*Primary Examiner* — Selina Sikder

(74) *Attorney, Agent, or Firm* — Wenderoth, Lind & Ponack, L.L.P.

**Related U.S. Application Data**

(62) Division of application No. 29/546,032, filed on Nov. 18, 2015, now Pat. No. Des. 786,808.

(57) **CLAIM**

The ornamental design for a light-emitting diode, as shown and described.

(30) **Foreign Application Priority Data**

**DESCRIPTION**

May 20, 2015 (JP) ..... D2015-011003  
May 20, 2015 (JP) ..... D2015-011022  
May 20, 2015 (JP) ..... D2015-011023  
May 20, 2015 (JP) ..... D2015-011024  
May 20, 2015 (JP) ..... D2015-011026

FIG. 1 is a top perspective view of a light-emitting diode showing an upper surface with front and left side surfaces; FIG. 2 is a bottom perspective view thereof showing a bottom surface with rear and right side surfaces; FIG. 3 is a front view thereof; FIG. 4 is a rear view thereof; FIG. 5 is a top plan view thereof; FIG. 6 is a bottom plan view thereof; and, FIG. 7 is a left side view thereof, a right side view being a mirror image of FIG. 7.

(51) **LOC (11) Cl.** ..... **13-03**

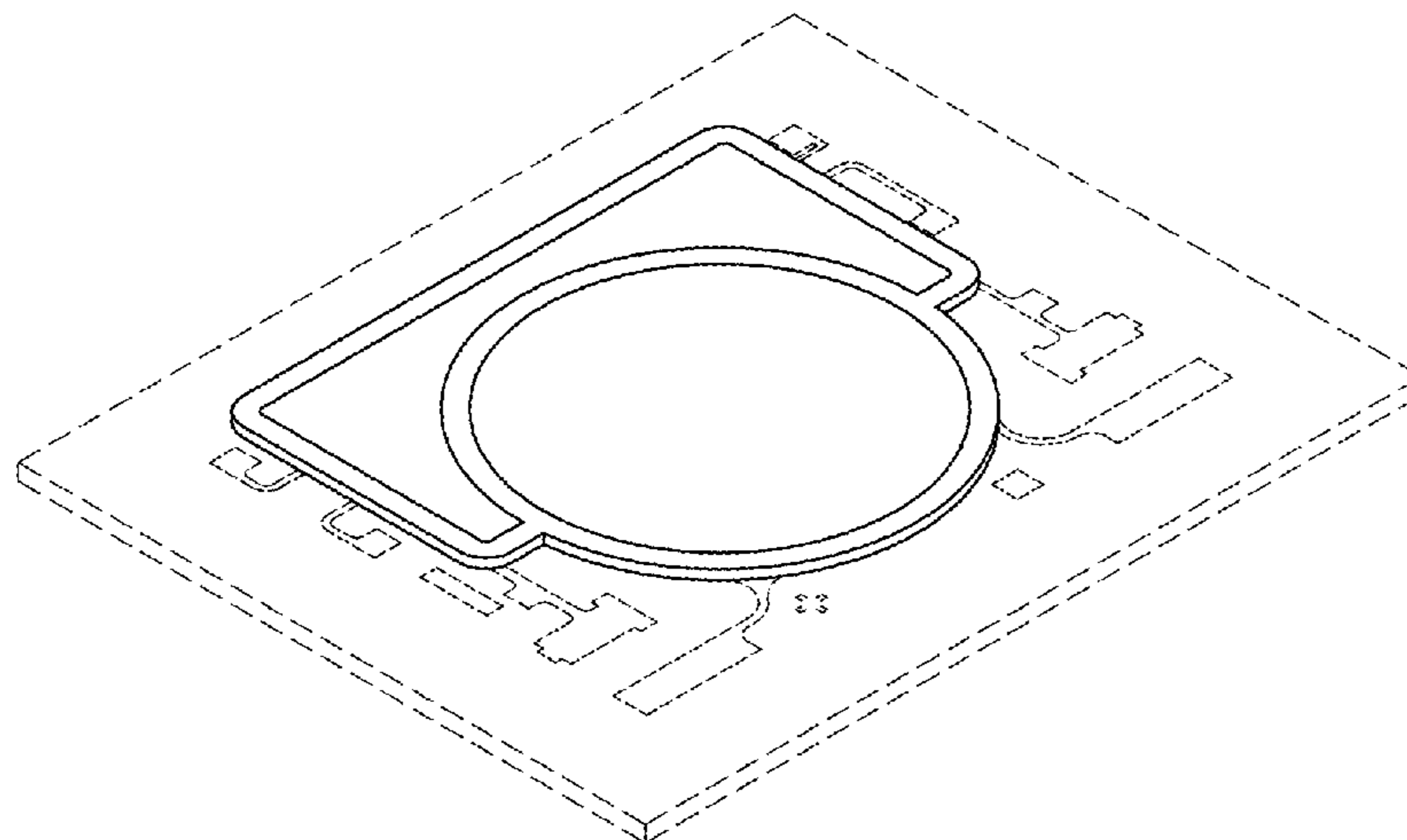
(52) **U.S. Cl.**  
USPC ..... **D13/180**

The broken lines shown herein are for illustrative purpose only and form no part of the claimed design.

(58) **Field of Classification Search**

USPC ..... D13/180; D26/1  
CPC ... H01L 25/167; H01L 25/0753; H01L 27/15;  
H01L 27/156; H01L 31/02; H01L 33/00;  
H01L 33/04; H01L 33/08; H01L 33/10;

**1 Claim, 3 Drawing Sheets**



(56)

**References Cited**

U.S. PATENT DOCUMENTS

D714,236	S	9/2014	Watanabe et al.	
D727,860	S	4/2015	Watanabe et al.	
9,046,226	B2	6/2015	Shimozawa	
9,059,376	B2	6/2015	Chou	
9,130,140	B2	9/2015	Tsuchiya	
9,219,203	B2	12/2015	Hata	
D762,182	S	7/2016	Akiyama	
D766,196	S	9/2016	Akiyama	
D786,808	S *	5/2017	Kayanuma .....	D13/180
D788,720	S *	6/2017	Akiyama .....	D13/180
D788,721	S *	6/2017	Akiyama .....	D13/180
D789,308	S *	6/2017	Ochiai .....	D13/180
D789,309	S *	6/2017	Akiyama .....	D13/180
D791,089	S *	7/2017	Goto .....	D13/180
2010/0320483	A1	12/2010	Kadotani	
2011/0084297	A1	4/2011	Ogata	
2011/0140144	A1	6/2011	Lim	
2012/0106155	A1	5/2012	Hata	
2013/0193462	A1	8/2013	Ishizaki	
2014/0268783	A1	9/2014	Agatani	

FOREIGN PATENT DOCUMENTS

JP	D1465486	3/2013
JP	D1481437	10/2013
JP	D1532207	8/2015

\* cited by examiner

Fig. 1

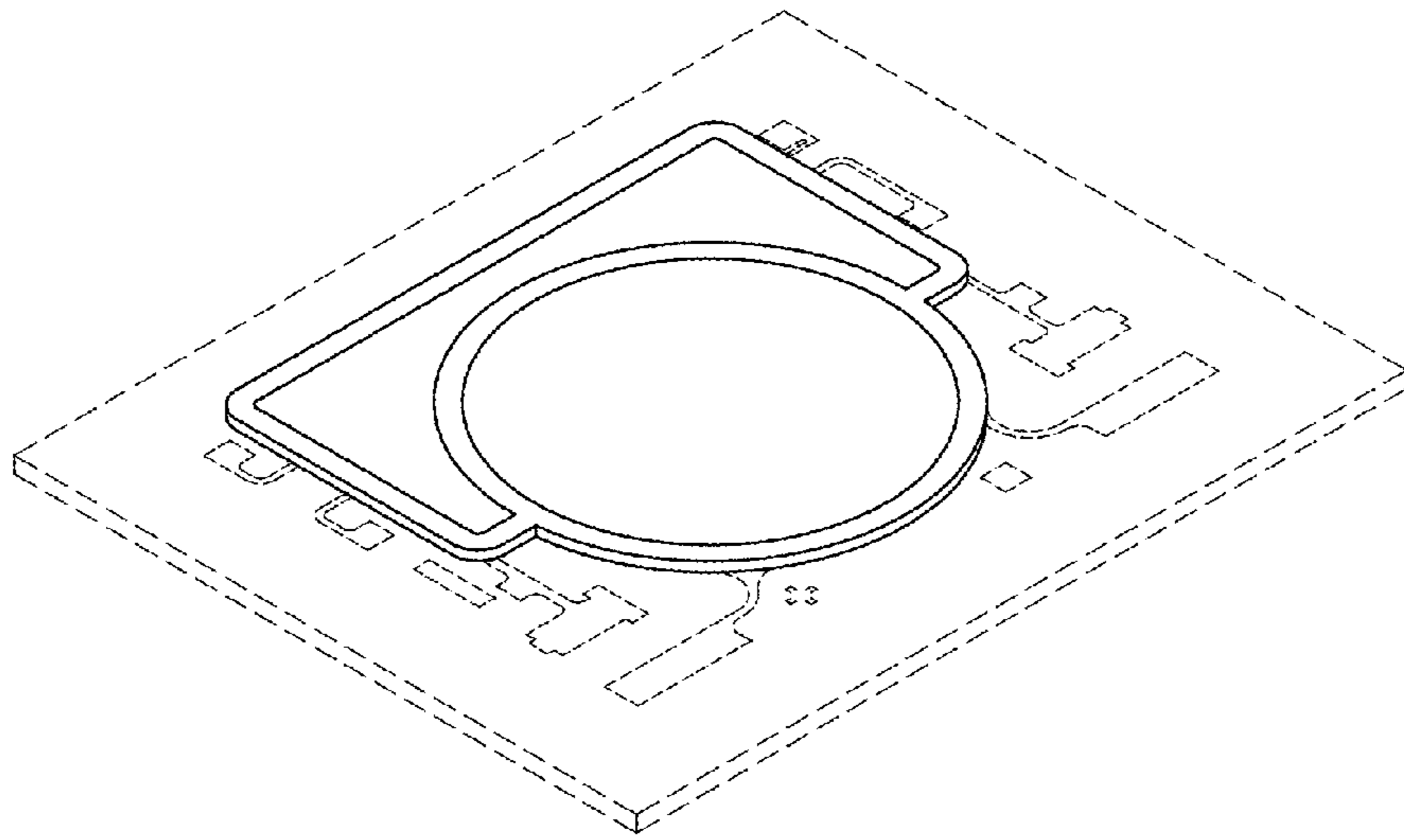


Fig. 2

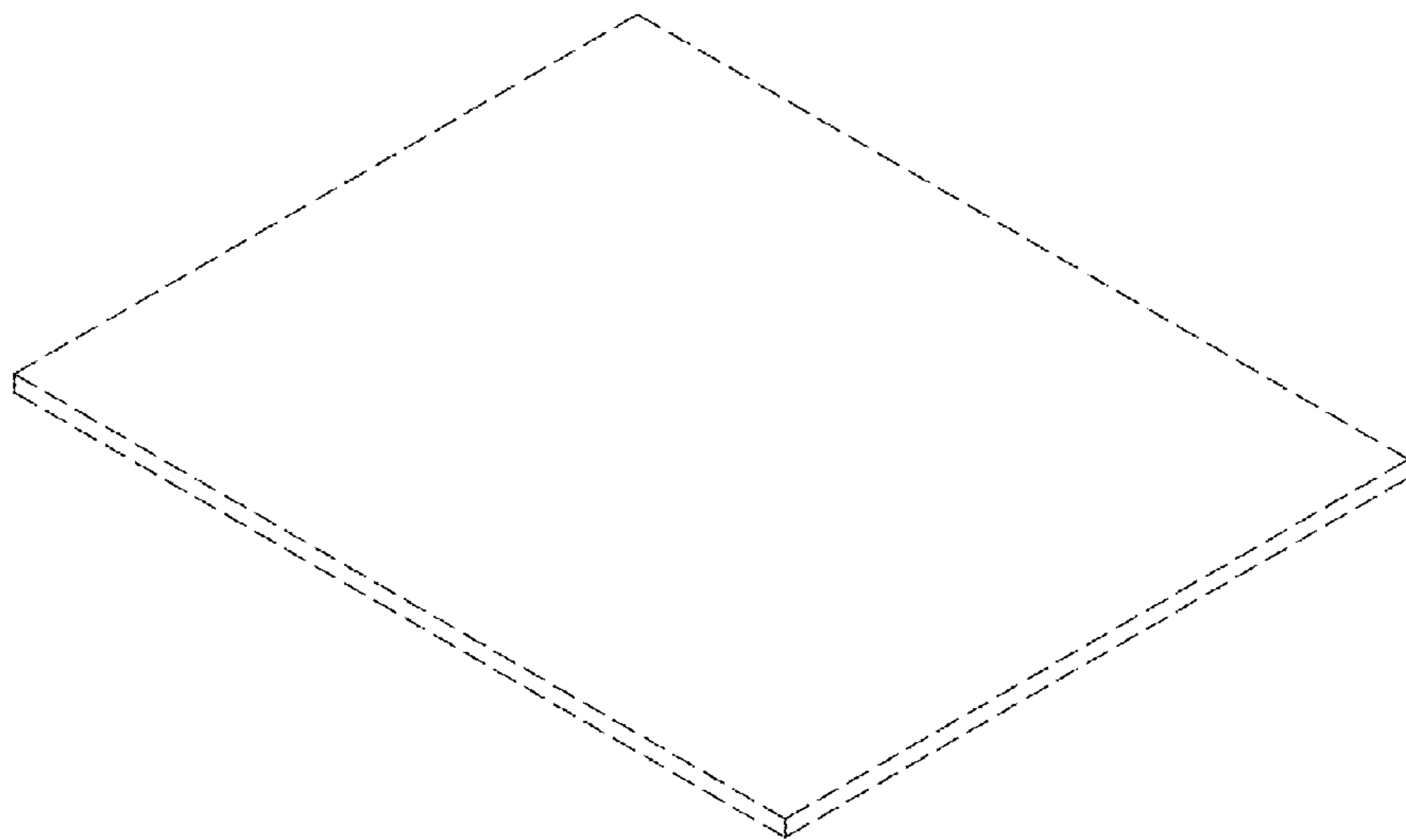


Fig. 3

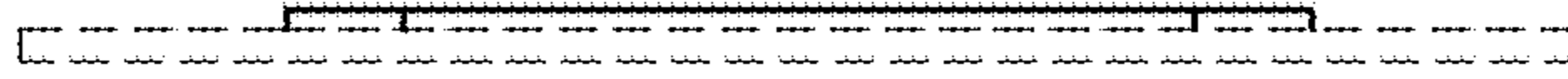


Fig. 4

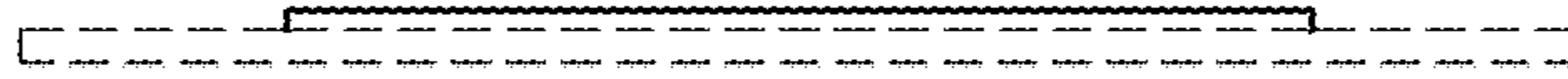


Fig. 5

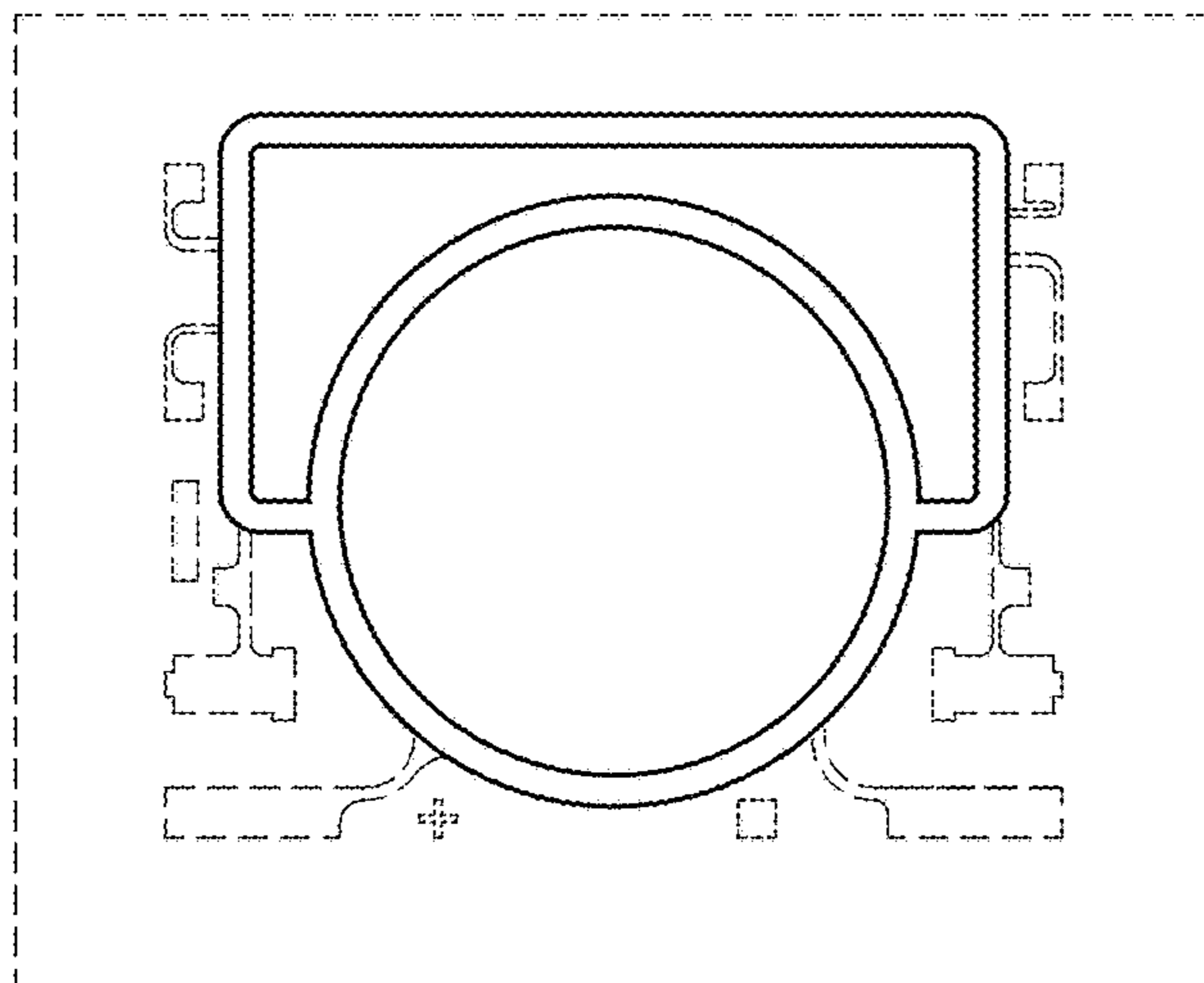


Fig. 6



Fig. 7

