

US00D807835S

(12) **United States Design Patent**  
**Alexander et al.**

(10) **Patent No.:** **US D807,835 S**  
(45) **Date of Patent:** **\*\* Jan. 16, 2018**

(54) **BUTTON**

(71) Applicant: **Whirlpool Corporation**, Benton Harbor, MI (US)

(72) Inventors: **Martyna Alexander**, Ann Arbor, MI (US); **Amy Cross**, Coloma, MI (US); **Estela Duhart**, St. Joseph, MI (US); **Chiara Pini**, Travedona Monate (IT); **Brandon Satanek**, Stevensville, MI (US); **Wen Shi**, Stevensville, MI (US); **Augusto W. Silva**, SC (BR)

(73) Assignee: **Whirlpool Corporation**, Benton Harbor, MI (US)

(\*\*) Term: **15 Years**

(21) Appl. No.: **29/531,972**

(22) Filed: **Jun. 30, 2015**

(51) **LOC (11) Cl.** ..... **13-03**

(52) **U.S. Cl.**  
USPC ..... **D13/174**

(58) **Field of Classification Search**  
USPC ..... D13/162, 171, 174, 177; D7/405, 406  
CPC .. H01H 3/12; H01H 9/02; H01H 9/16; H01H 9/18; H01H 9/181; H01H 9/182; H01H 13/04; H01H 13/14; H01H 2009/187; G06F 3/0362

See application file for complete search history.

(56) **References Cited**

U.S. PATENT DOCUMENTS

D362,841 S *	10/1995	Roza	.....	D13/171
D408,821 S *	4/1999	Takahashi	.....	D14/218
6,417,469 B1 *	7/2002	Tamura	.....	H01H 13/023
				200/314
D554,074 S *	10/2007	Laurent	.....	D13/164
D559,797 S *	1/2008	Neveu	.....	D13/174

D561,707 S *	2/2008	Neveu	.....	D13/174
D570,300 S *	6/2008	Weinberg	.....	D13/174
D578,080 S *	10/2008	Whang	.....	D13/162
D586,617 S *	2/2009	Martin	.....	D7/405
D618,488 S	6/2010	Knöcher		
D628,438 S	12/2010	Knöcher		
D645,703 S	9/2011	Sadtler		
D688,636 S *	8/2013	Oishi	.....	D13/171
D691,099 S *	10/2013	Li	.....	D13/174
D714,233 S *	9/2014	Dorn	.....	D13/174
D720,305 S *	12/2014	Wenji	.....	D13/174
D721,918 S	2/2015	Glassman et al.		
D725,612 S *	3/2015	Schlegel	.....	D13/174
D728,310 S	5/2015	Börjesson		
D733,077 S *	6/2015	Panis	.....	D13/171

(Continued)

*Primary Examiner* — Selina Sikder

(74) *Attorney, Agent, or Firm* — Price Heneveld LLP

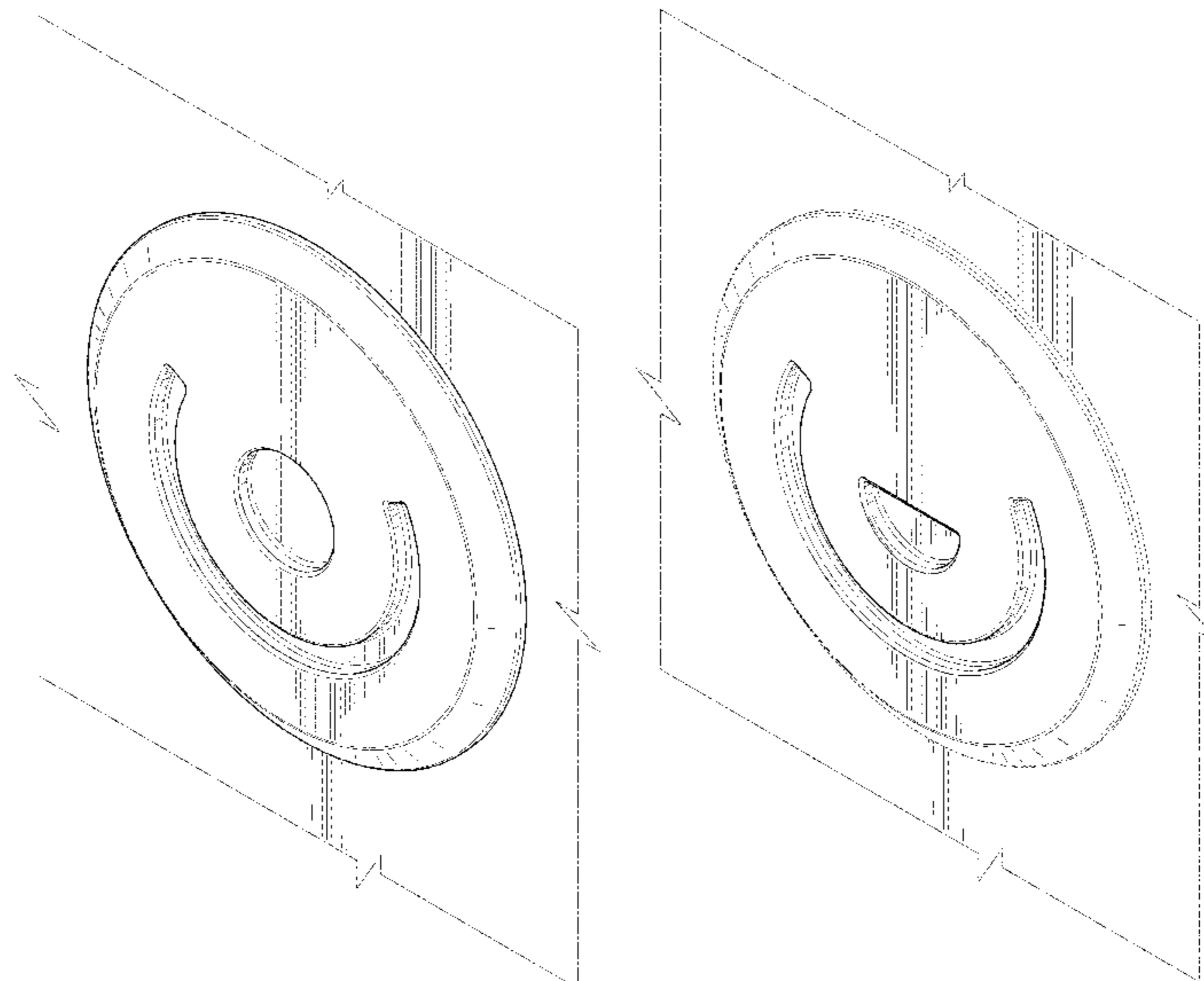
(57) **CLAIM**

The ornamental design for a button, as shown and described.

**DESCRIPTION**

FIG. 1 is a front perspective view of a button according to a first embodiment of our design;  
 FIG. 2 is a front view thereof;  
 FIG. 3 is a top view thereof, bottom, right, and left views being identical thereto and a back view thereof showing no claimed portion of the design;  
 FIG. 4 is a front perspective view of a button according to a second embodiment of our design;  
 FIG. 5 is a front view thereof; and,  
 FIG. 6 is a top view thereof, bottom, right, and left views being identical thereto and a back view thereof showing no claimed portion of the design.  
 Broken lines are environmental only and form no part of the claimed design.  
 The jagged dash-dot lines represent bounds of the claimed design, including an indeterminate boundary of a surface, and form no part of the claimed design themselves.

**1 Claim, 6 Drawing Sheets**



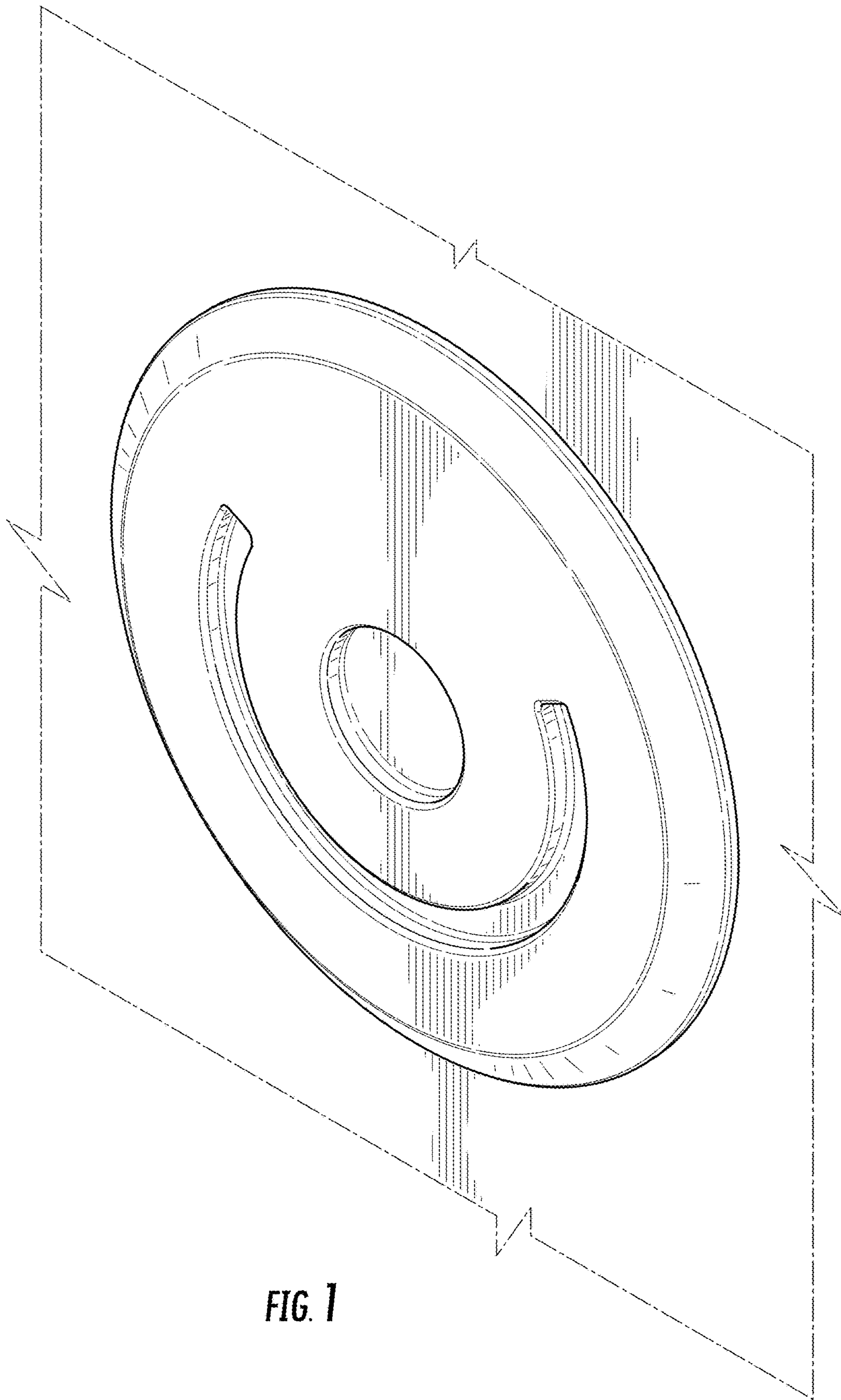
(56)

## References Cited

## U.S. PATENT DOCUMENTS

D733,078 S \* 6/2015 Wu ..... D13/171  
D748,590 S \* 2/2016 Dorn ..... D13/174  
9,361,000 B2 \* 6/2016 Furue ..... G06F 3/0482  
D781,252 S \* 3/2017 Oleson ..... D13/174  
9,613,768 B2 \* 4/2017 Tallone ..... H01H 13/14  
9,653,235 B2 \* 5/2017 Shimoyama ..... H01H 3/022  
9,710,077 B2 \* 7/2017 Okazaki ..... G06F 3/0362  
2007/0057922 A1 \* 3/2007 Schultz ..... G06F 3/03547  
345/173  
2009/0000935 A1 \* 1/2009 Calderara ..... H01H 13/02  
200/523  
2010/0326806 A1 \* 12/2010 Wang ..... H01H 13/14  
200/341  
2013/0249847 A1 9/2013 Goss et al.  
2014/0104796 A1 \* 4/2014 Nohra ..... G08C 23/04  
361/752  
2014/0139047 A1 \* 5/2014 Haines ..... H01H 9/56  
307/140  
2015/0214606 A1 \* 7/2015 Sano ..... H01Q 7/08  
343/721  
2015/0235786 A1 \* 8/2015 Sugihara ..... H01H 13/023  
200/314  
2016/0203925 A1 \* 7/2016 Gluck ..... H01H 13/14  
200/520  
2016/0216762 A1 \* 7/2016 Vanhelle ..... B60K 37/06  
2016/0217944 A1 \* 7/2016 Liao ..... H01H 13/14  
2016/0293353 A1 \* 10/2016 Mau ..... H01H 13/14  
2016/0329666 A1 \* 11/2016 Gassner ..... H01R 24/60  
2017/0139490 A1 \* 5/2017 Morandini ..... G06F 3/0362  
2017/0235383 A1 \* 8/2017 Goss ..... G06F 3/0362

\* cited by examiner



**FIG. 1**

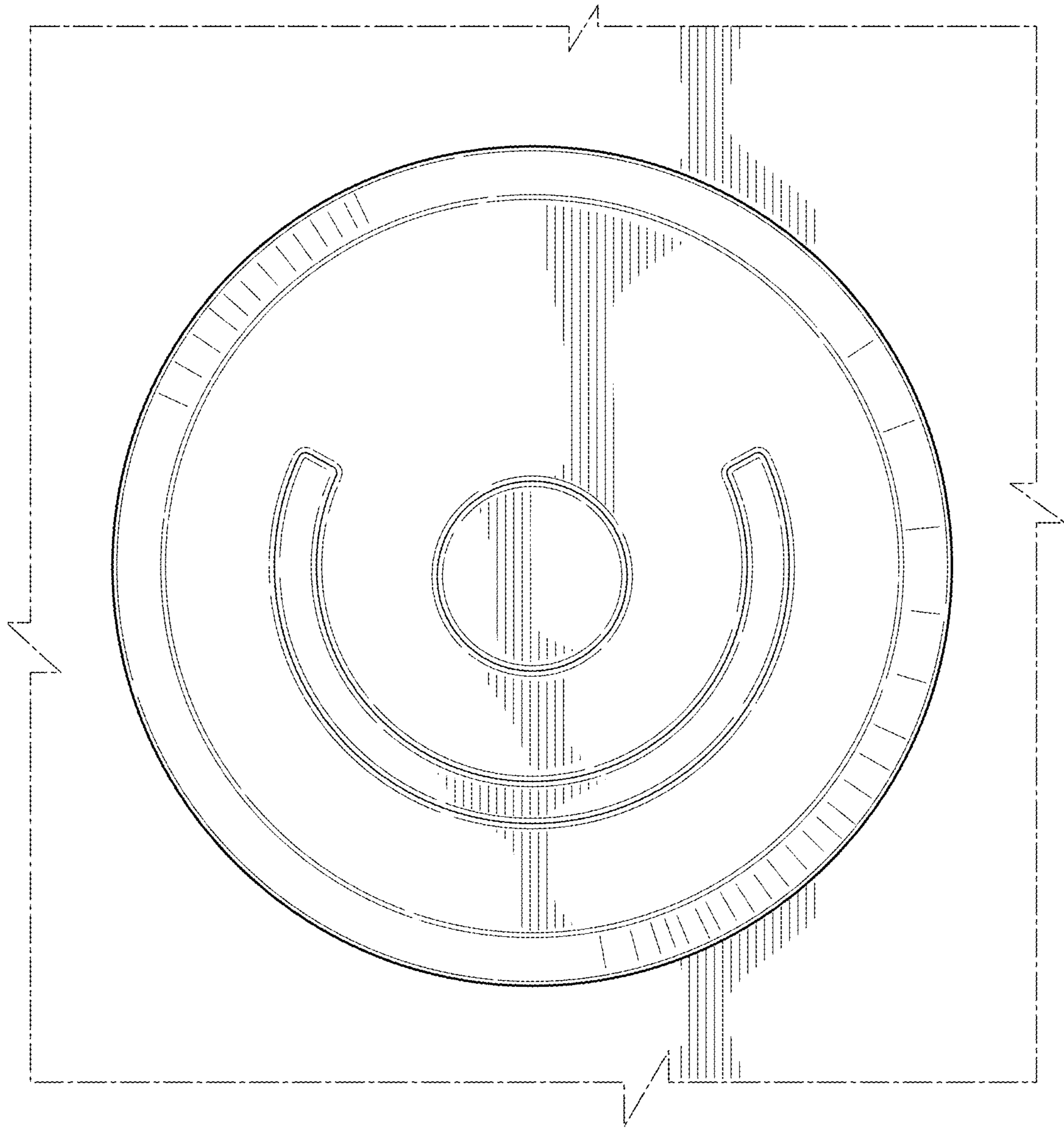
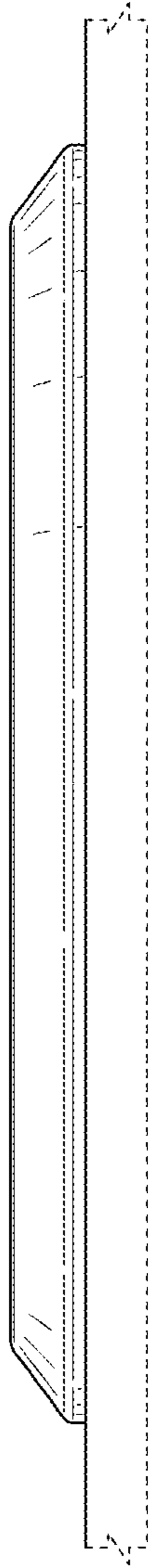


FIG. 2



**FIG. 3**

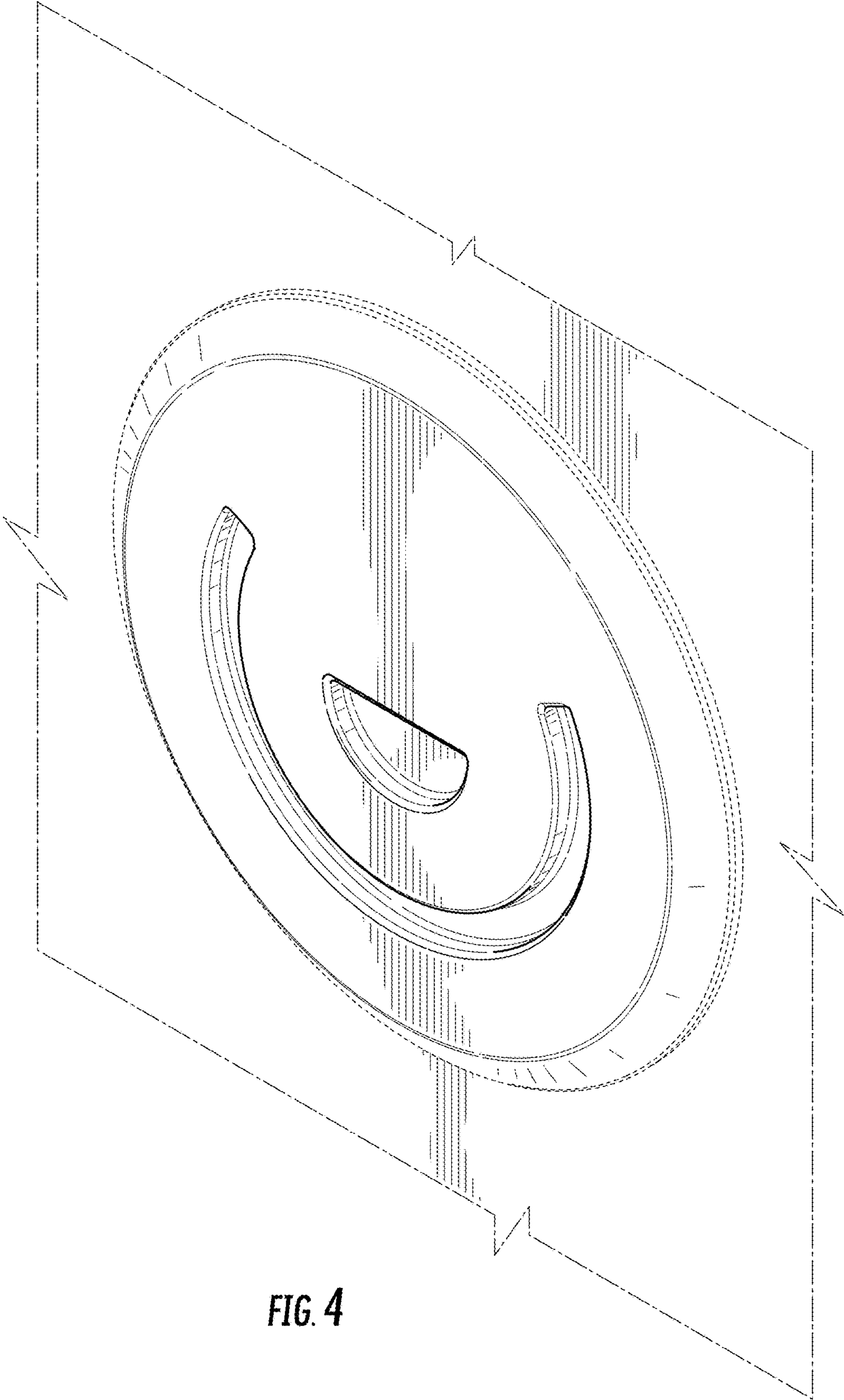


FIG. 4

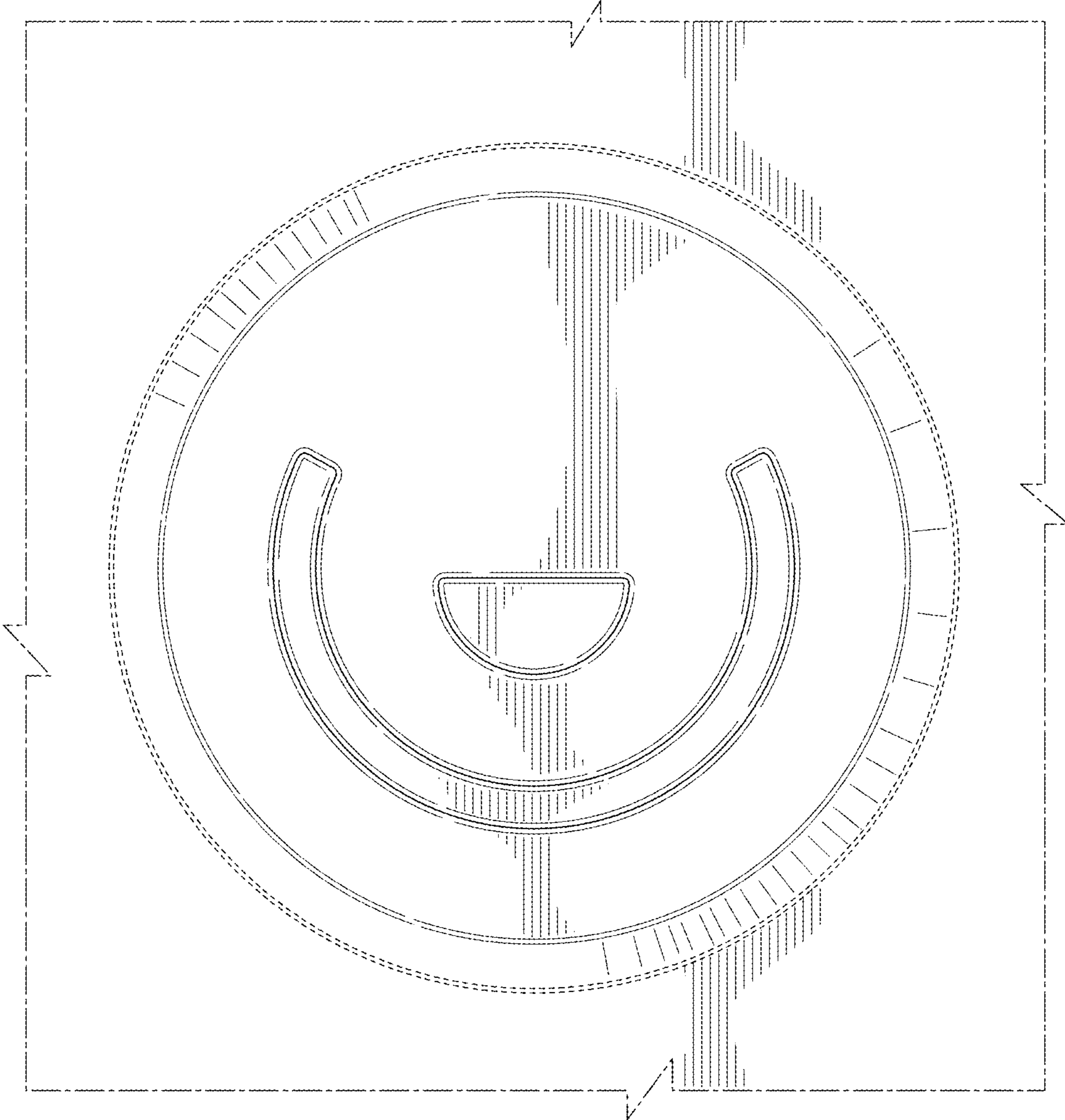
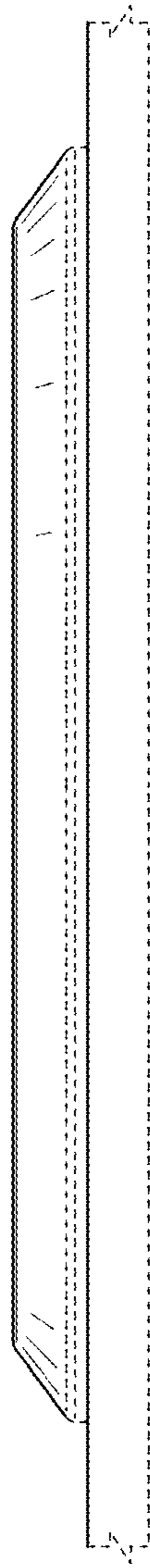


FIG. 5



**FIG. 6**