



US00D807834S

(12) **United States Design Patent**
Zheng et al.

(10) **Patent No.:** **US D807,834 S**
(45) **Date of Patent:** **** Jan. 16, 2018**

(54) **SMART CYCLING CONTROLLER**

(71) Applicant: **Shenzhen Qianhai LIVALL IoT Technology Co., Ltd.**, Shenzhen, Guangdong Province (CN)

(72) Inventors: **Bo Zheng**, Shenzhen (CN);
Yong-Zheng Ye, Shenzhen (CN);
Yang-Feng Shi, Guangxi Province (CN)

(73) Assignee: **SHENZHEN QIANHAI LIVALL IOT TECHNOLOGY CO., LTD.**, Shenzhen, Guangdong Province (CN)

(**) Term: **15 Years**

(21) Appl. No.: **29/584,031**

(22) Filed: **Nov. 10, 2016**

(51) **LOC (11) Cl.** **14-03**

(52) **U.S. Cl.**
USPC **D13/168**

(58) **Field of Classification Search**
USPC D13/168; D14/218; D21/566; D12/114;
D29/122
CPC H03J 1/0025; H01H 9/0235; H04B 1/202;
G08C 17/00; G08C 17/02; G08C 19/00;
G08C 19/28; G08C 23/02; G08C 23/04;
B62K 23/00; B62K 23/02; B62M 6/45;
B62M 6/50

See application file for complete search history.

(56) **References Cited**

U.S. PATENT DOCUMENTS

D368,074 S * 3/1996 Lee D13/168
D460,052 S * 7/2002 Olen D13/168
D475,026 S * 5/2003 Buczek D13/168
D478,568 S * 8/2003 Hussaini D14/218

D482,006 S * 11/2003 Stekelenburg D13/168
D493,149 S * 7/2004 Murtaugh D13/168
D496,005 S * 9/2004 Wang D13/168
D526,623 S * 8/2006 Yin D13/168
D550,168 S * 9/2007 Chang D13/168
D560,173 S * 1/2008 Chang D13/168
D637,528 S * 5/2011 Tanaka D12/114
D640,608 S * 6/2011 Funabiki D12/114
D666,175 S * 8/2012 Yamada D14/218
D680,972 S * 4/2013 Hunter D13/168
D687,414 S * 8/2013 Vuillet D14/218
D717,279 S * 11/2014 Wai D14/218
D725,610 S * 3/2015 Dasbach D10/98
D737,226 S * 8/2015 Dorn D13/168
D760,701 S * 7/2016 Lyons D14/218
D793,364 S * 8/2017 Deyaf D10/49
2009/0085766 A1 * 4/2009 Seydoux A42B 3/30
340/13.24
2011/0320063 A1 * 12/2011 Molinaro B62K 11/14
701/1
2016/0318583 A1 * 11/2016 Watarai B62M 25/08

* cited by examiner

Primary Examiner — Selina Sikder

(74) *Attorney, Agent, or Firm* — Cheng-Ju Chiang

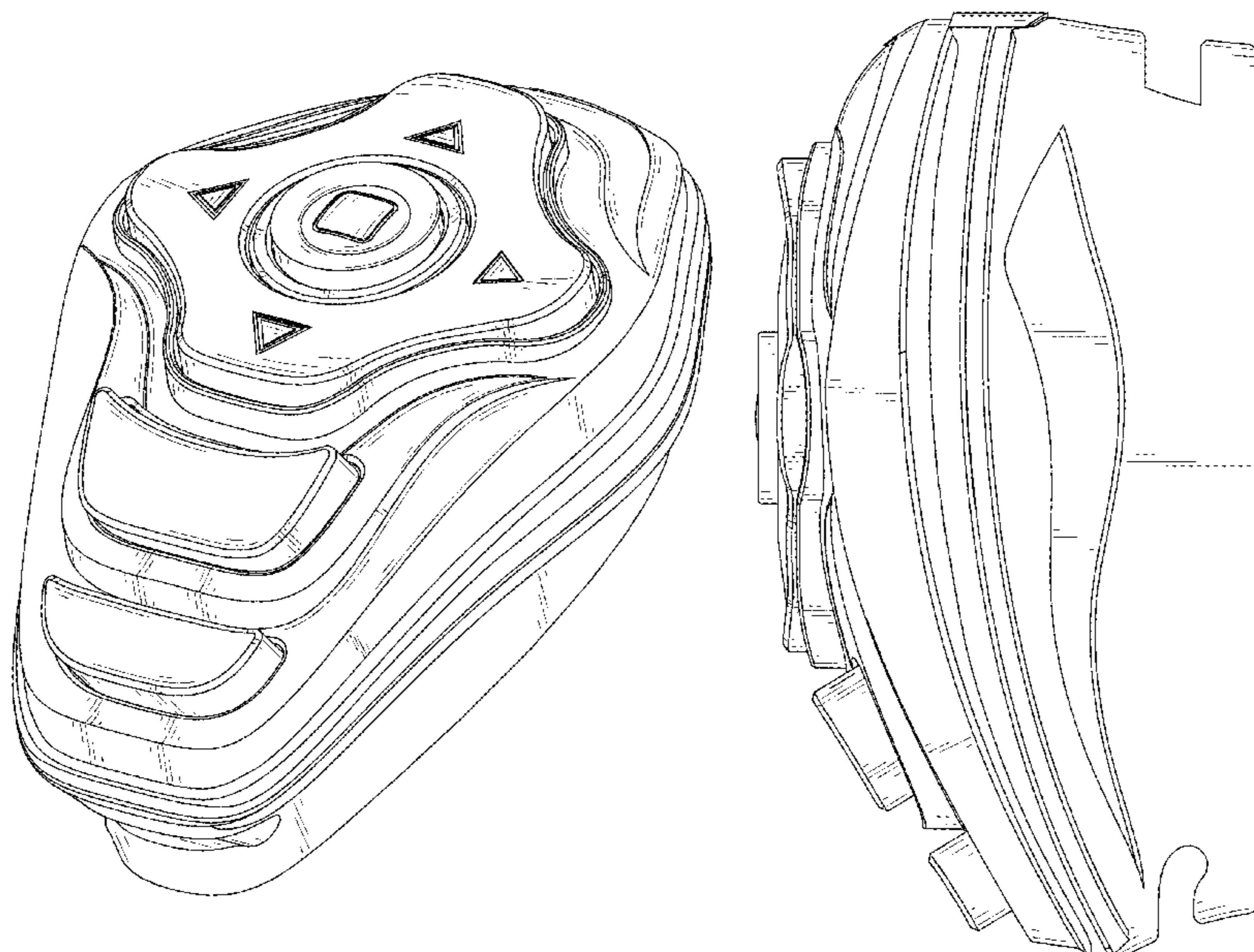
(57) **CLAIM**

The ornamental design for a smart cycling controller, as shown and described.

DESCRIPTION

FIG. 1 is a front, right and bottom perspective view of a smart cycling controller showing our new design; FIG. 2 is a front elevational view thereof; FIG. 3 is a rear elevational view thereof; FIG. 4 is a left elevational view thereof; FIG. 5 is a right elevational view thereof; FIG. 6 is a top plan view thereof; and, FIG. 7 is a bottom elevational view thereof.

1 Claim, 7 Drawing Sheets



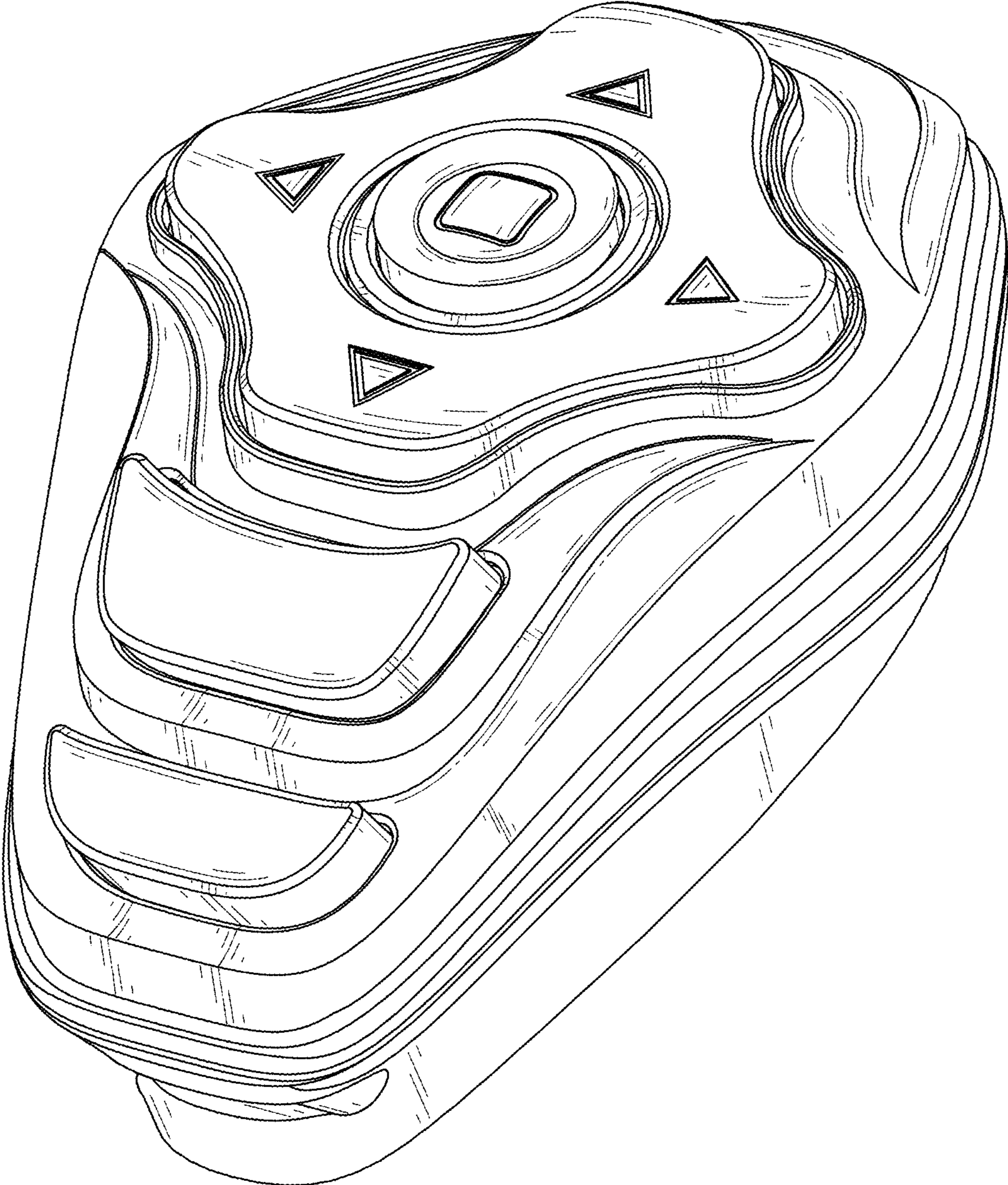


FIG. 1

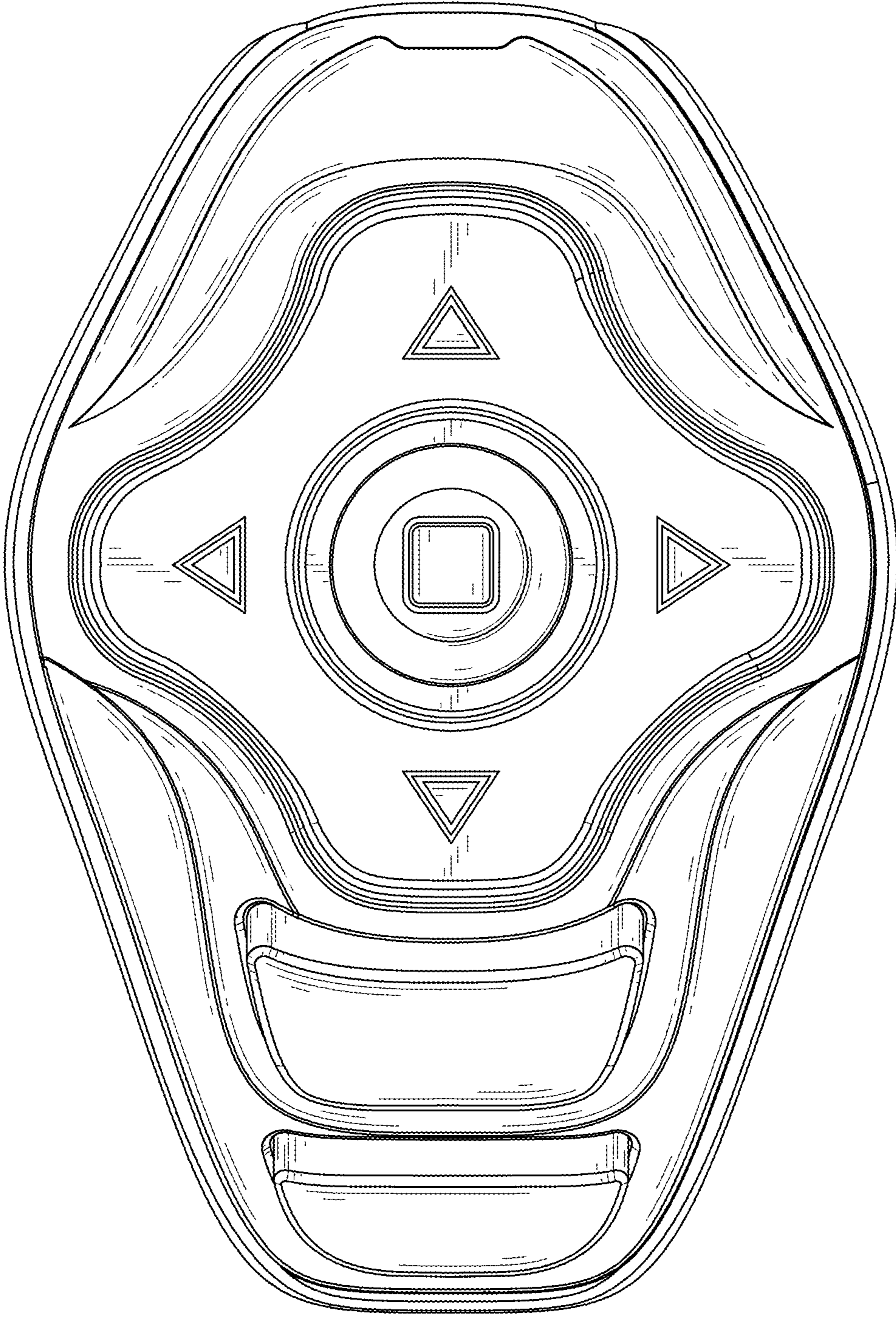


FIG. 2

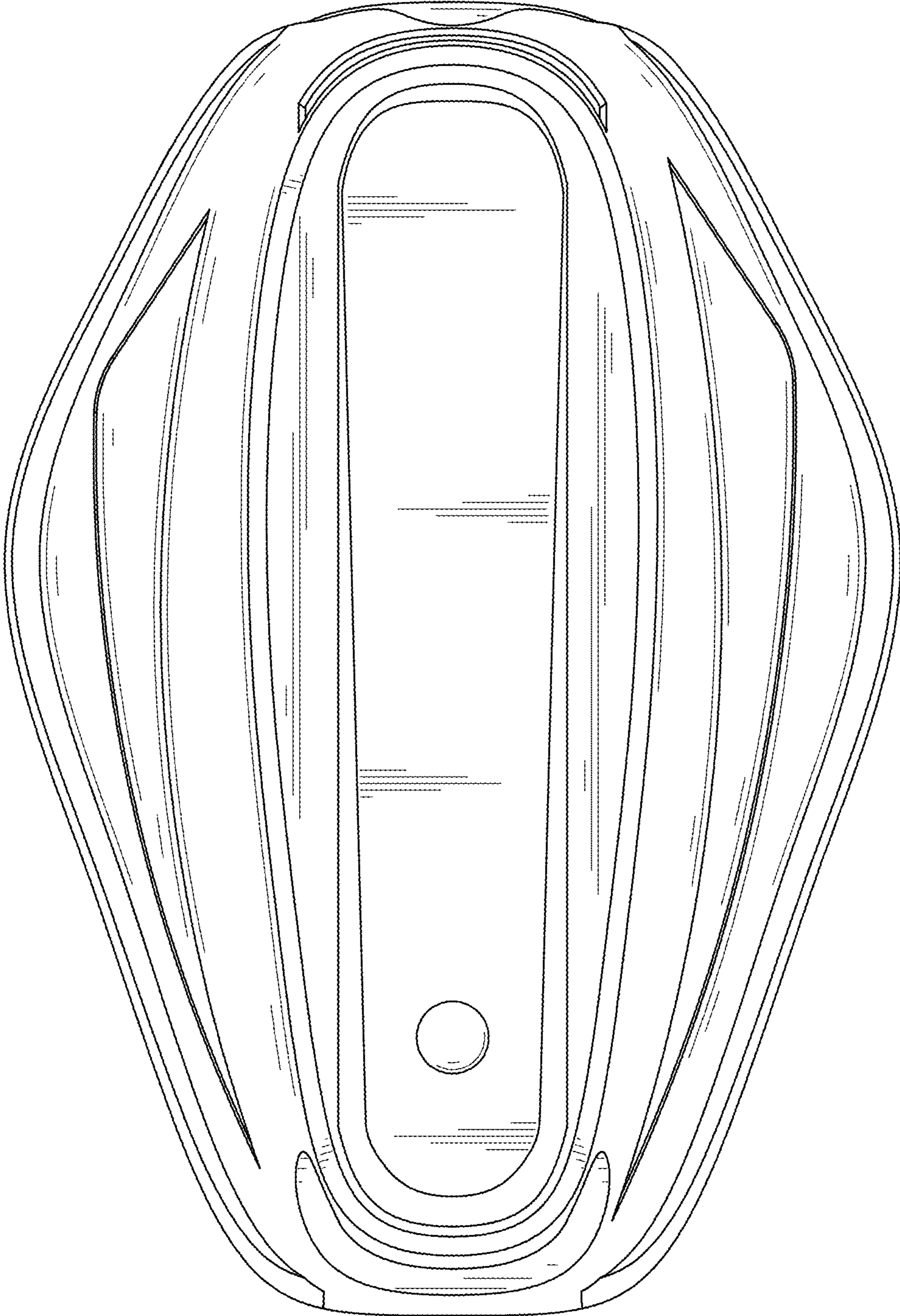


FIG. 3

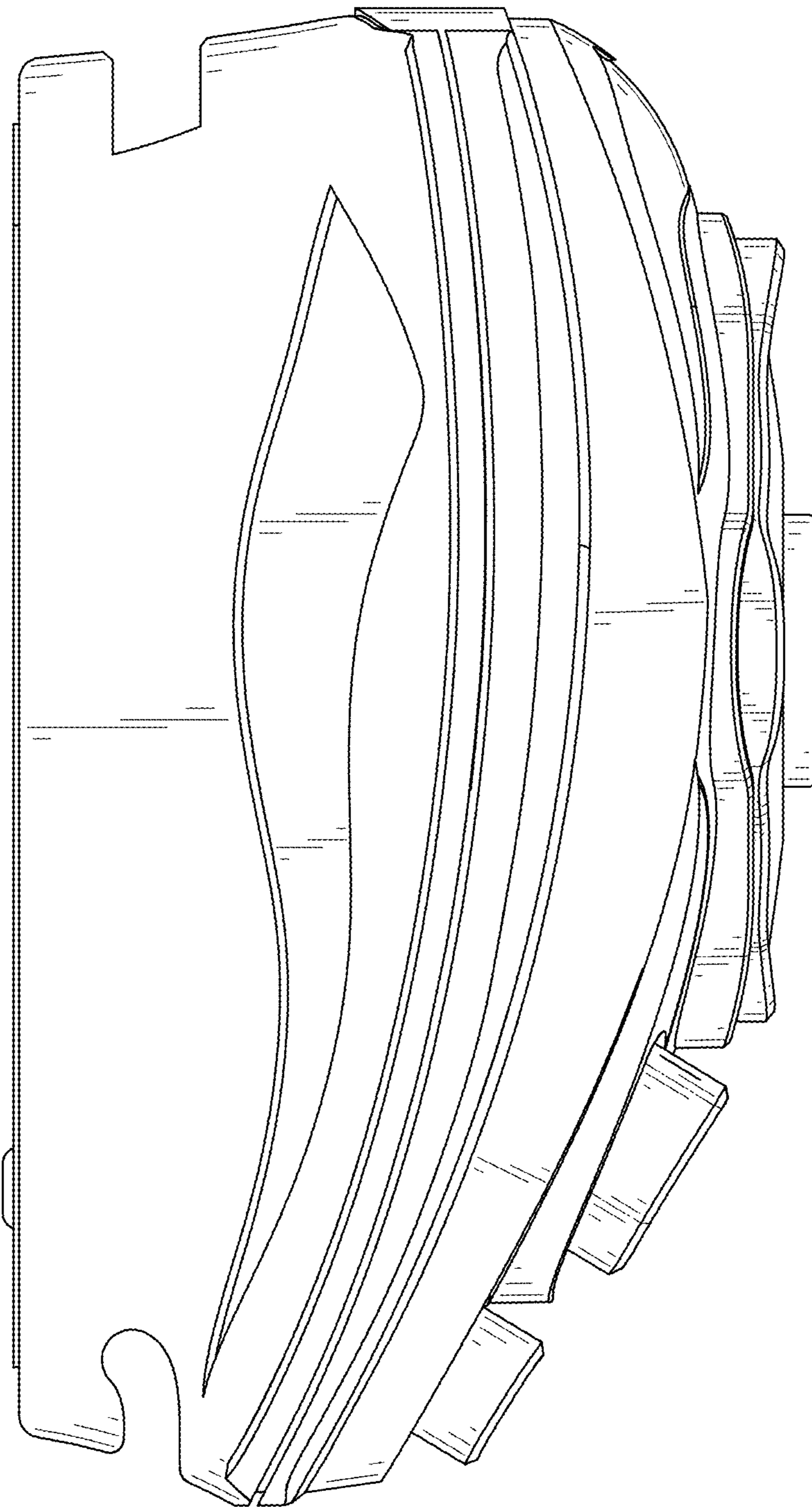


FIG. 4

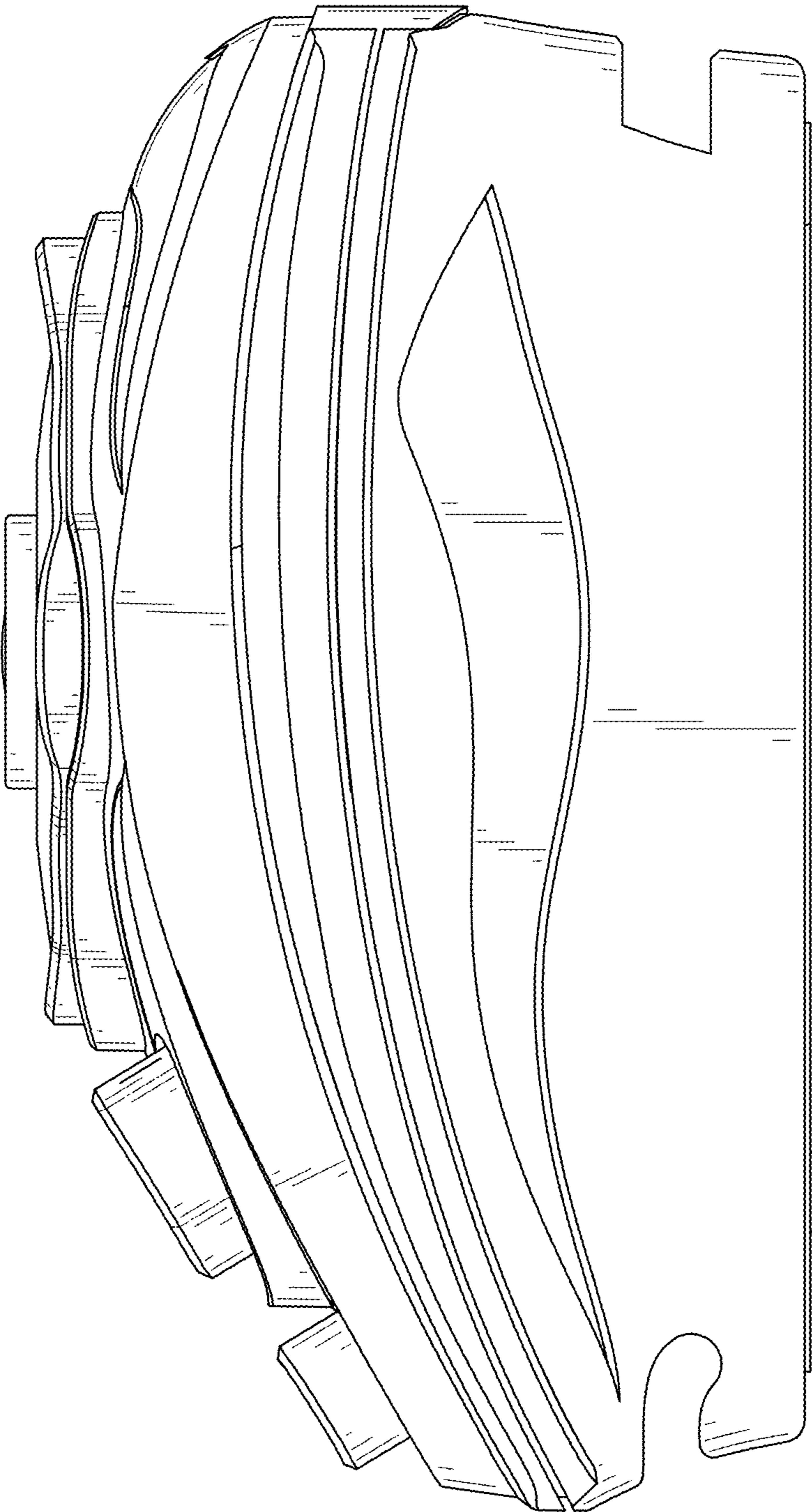


FIG. 5

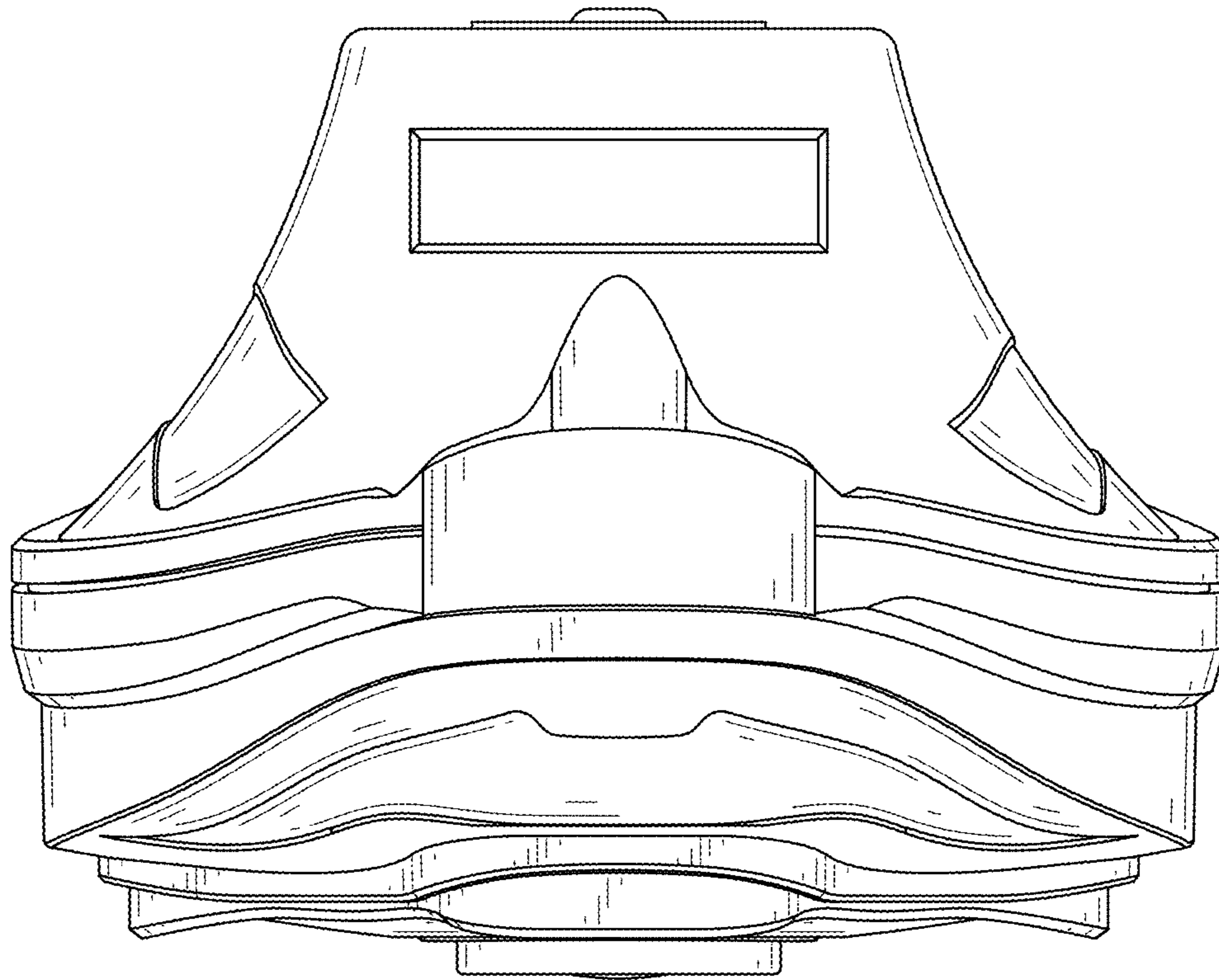


FIG. 6

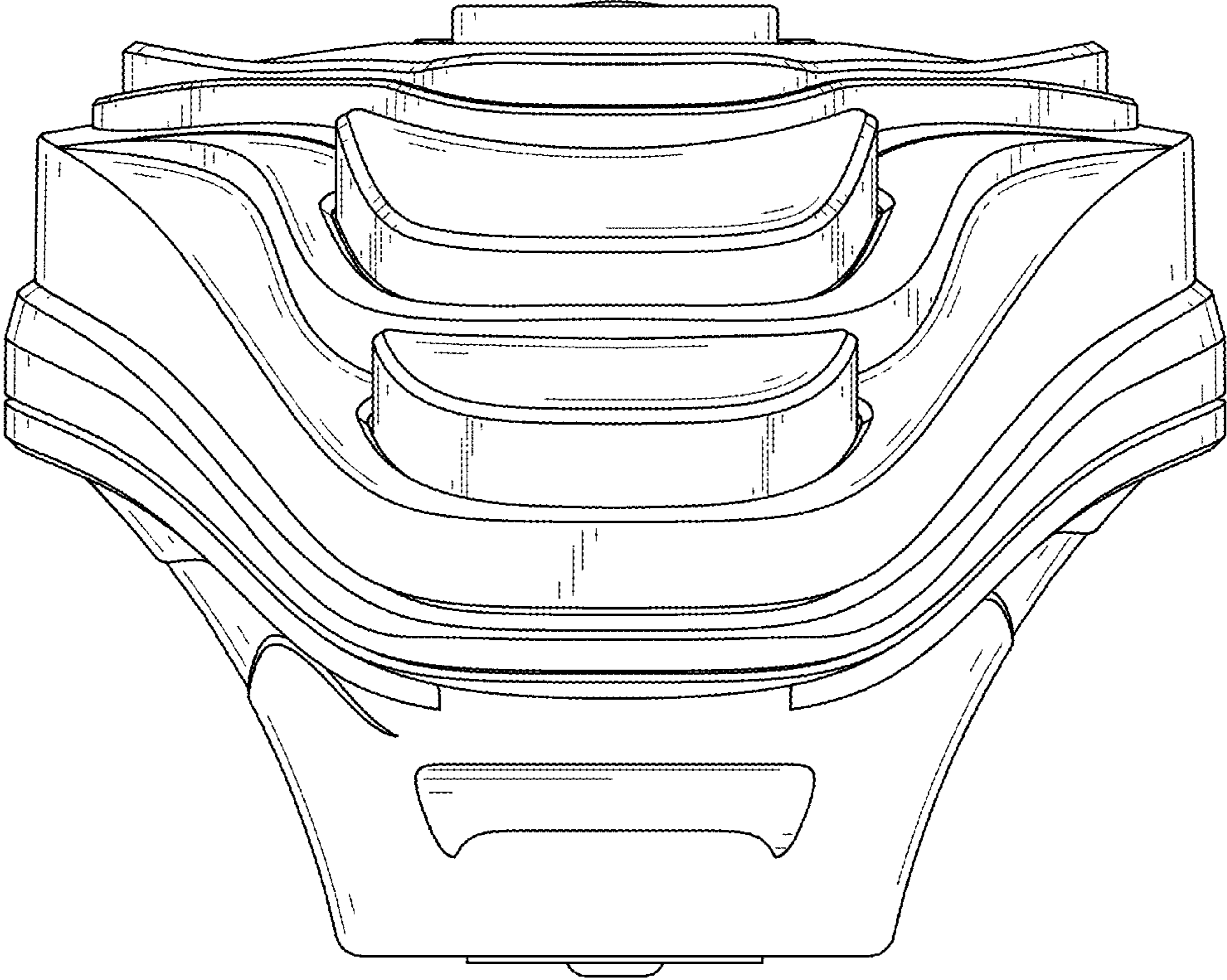


FIG. 7