



US00D807831S

(12) **United States Design Patent**
Xu

(10) **Patent No.:** **US D807,831 S**

(45) **Date of Patent:** **** Jan. 16, 2018**

(54) **POWER STRIP**

(71) Applicant: **Guangdong BESTEK E-commerce Co., Ltd.**, Shenzhen (CN)

(72) Inventor: **Xinhua Xu**, Shenzhen (CN)

(73) Assignee: **Guangdong BESTEK E-commerce Co., Ltd.**, Shenzhen (CN)

(**) Term: **15 Years**

(21) Appl. No.: **29/580,420**

(22) Filed: **Oct. 9, 2016**

(51) **LOC (11) Cl.** **13-03**

(52) **U.S. Cl.**
USPC **D13/139.8**

(58) **Field of Classification Search**
USPC D13/108–110, 133, 137.1–137.4,
D13/138.1–138.2, 139.1–139.8, 152–154,
D13/156, 173, 177, 151, 146, 147;
D14/433, 435.1, 432; D8/350–353, 331
CPC H01R 25/00; H01R 25/006; H01R 25/003;
H01R 9/00; H01R 11/00; H02J
2007/0062
See application file for complete search history.

(56) **References Cited**

U.S. PATENT DOCUMENTS

D467,873 S * 12/2002 Yu D13/137.2
D540,257 S * 4/2007 Ivanova D13/137.2

D718,714 S * 12/2014 Si D13/110
D718,715 S * 12/2014 Si D13/110
D739,355 S * 9/2015 D'Aubeterre D13/139.8
D793,398 S * 8/2017 Feldstein D14/433

* cited by examiner

Primary Examiner — Rosemary K Tarcza

Assistant Examiner — Christy Nemeth

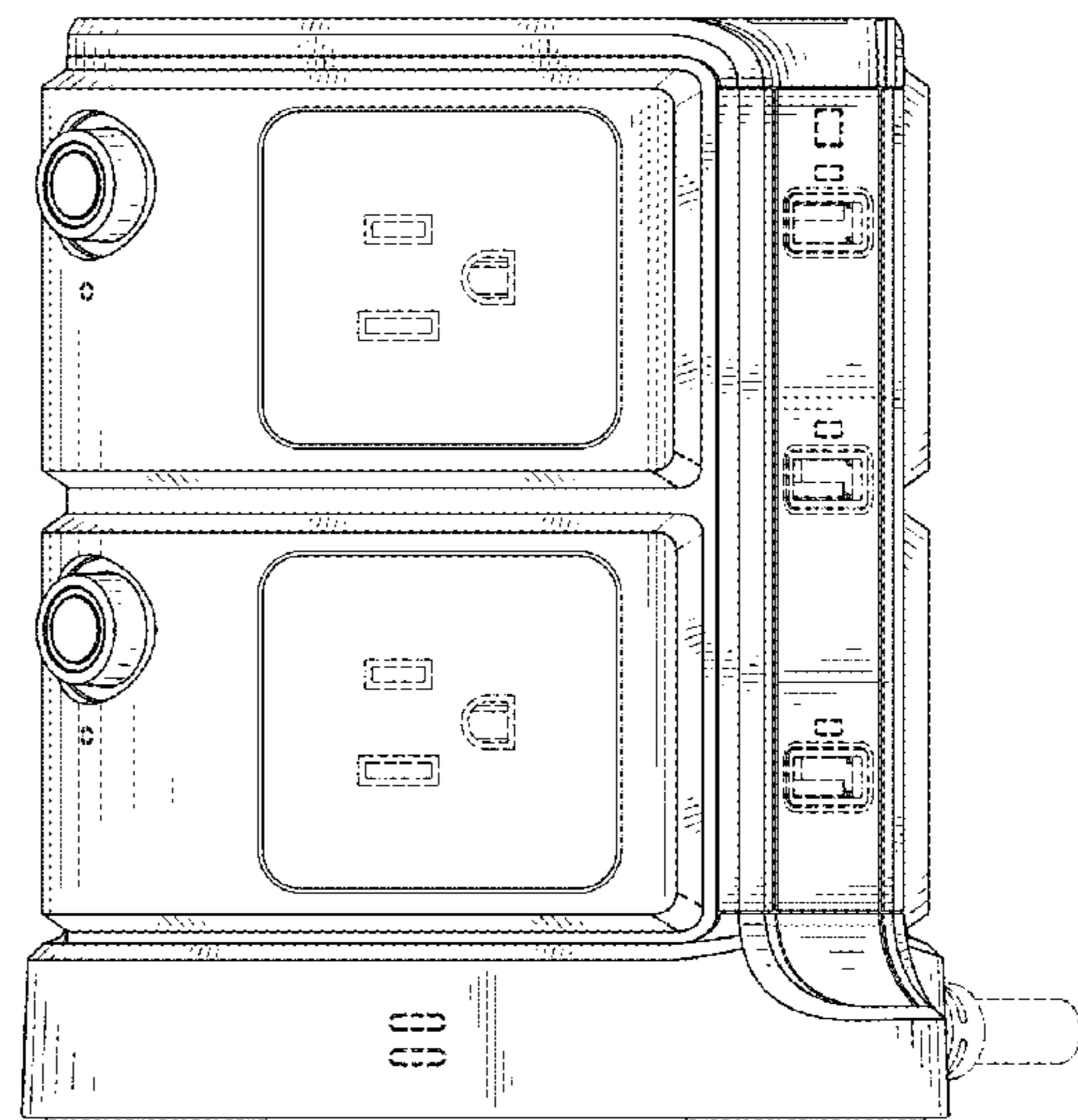
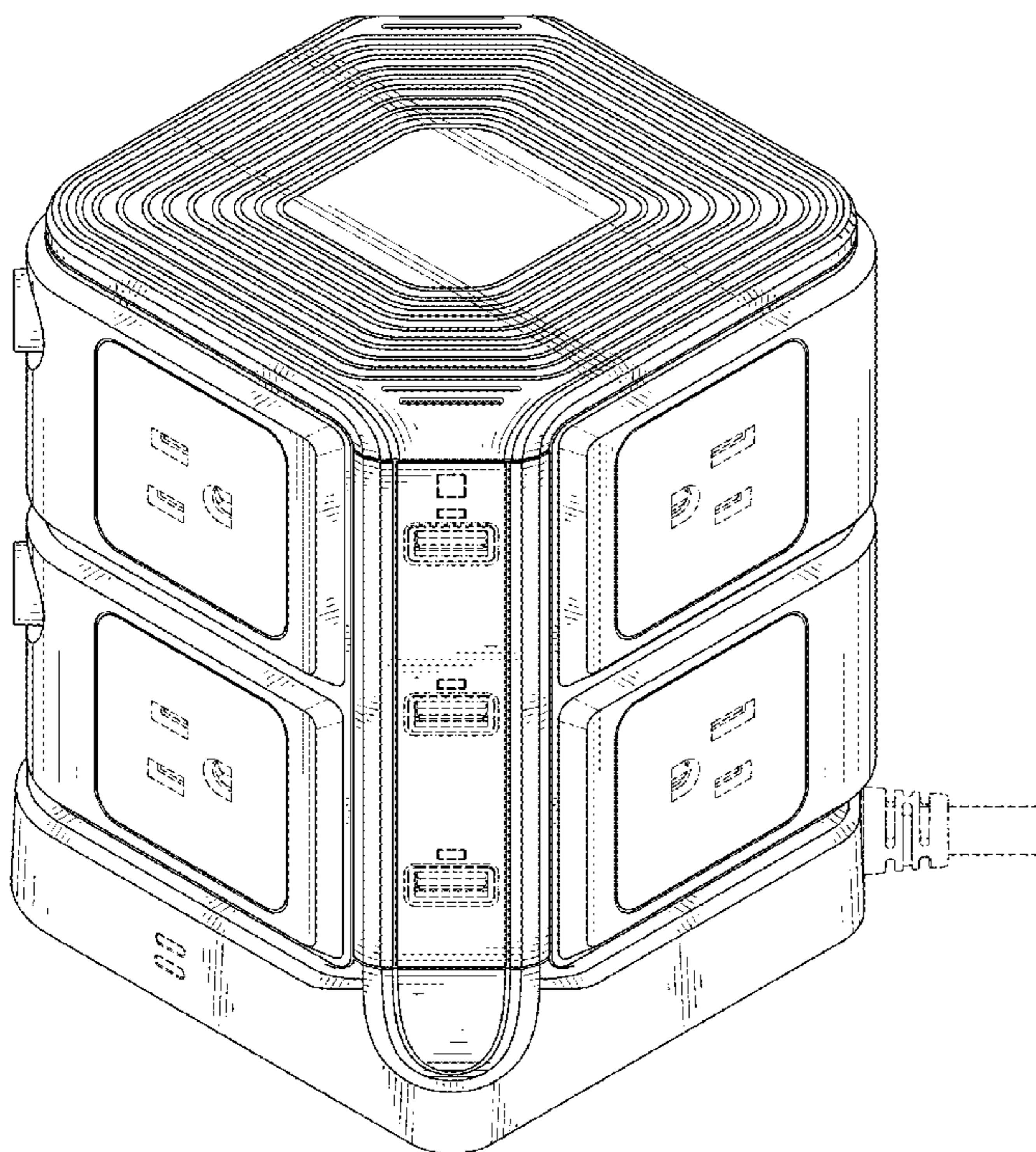
(57) **CLAIM**

The ornamental design for a power strip, as shown and described.

DESCRIPTION

FIG. 1 is a perspective view of the power strip showing my new design;
FIG. 2 is a front elevational view thereof;
FIG. 3 is a rear elevational view thereof;
FIG. 4 is a left side elevational view thereof;
FIG. 5 is a right side elevational view thereof;
FIG. 6 is a top plan view thereof; and,
FIG. 7 is a bottom plan view thereof.
The broken lines in the drawings are for the purpose of illustrating portions of the power strip that form no part of the claimed design.

1 Claim, 7 Drawing Sheets



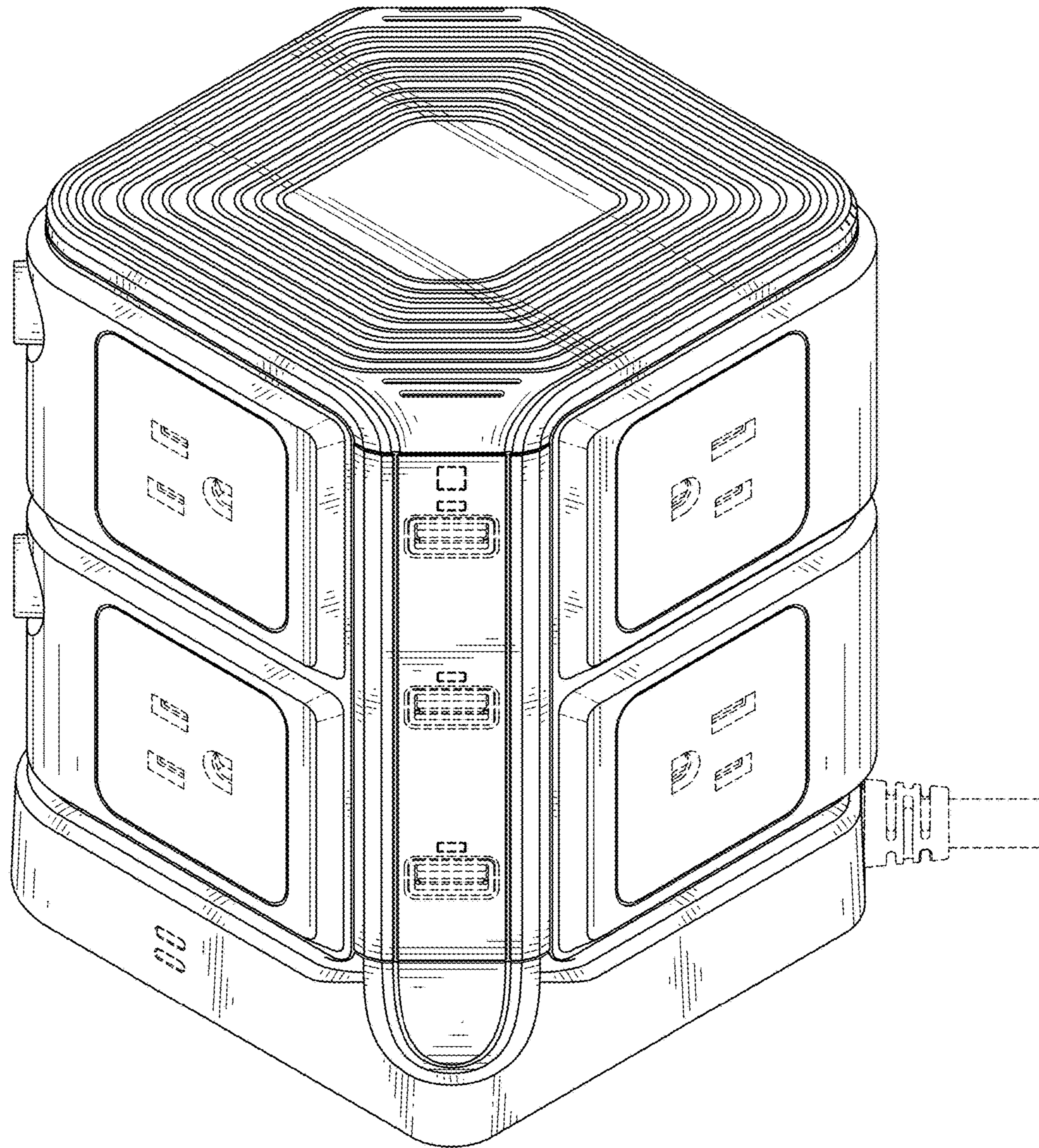


FIG. 1

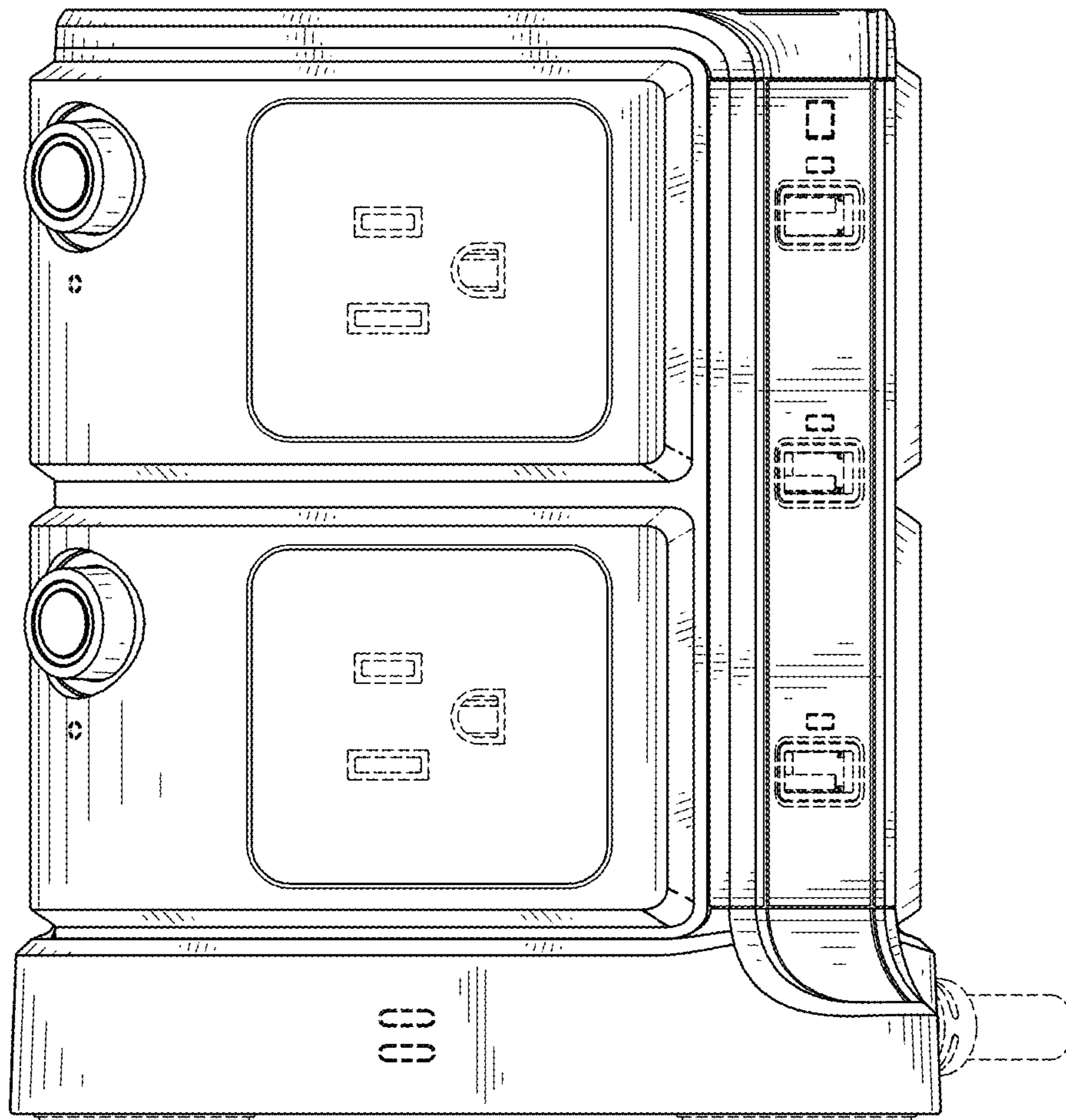


FIG. 2

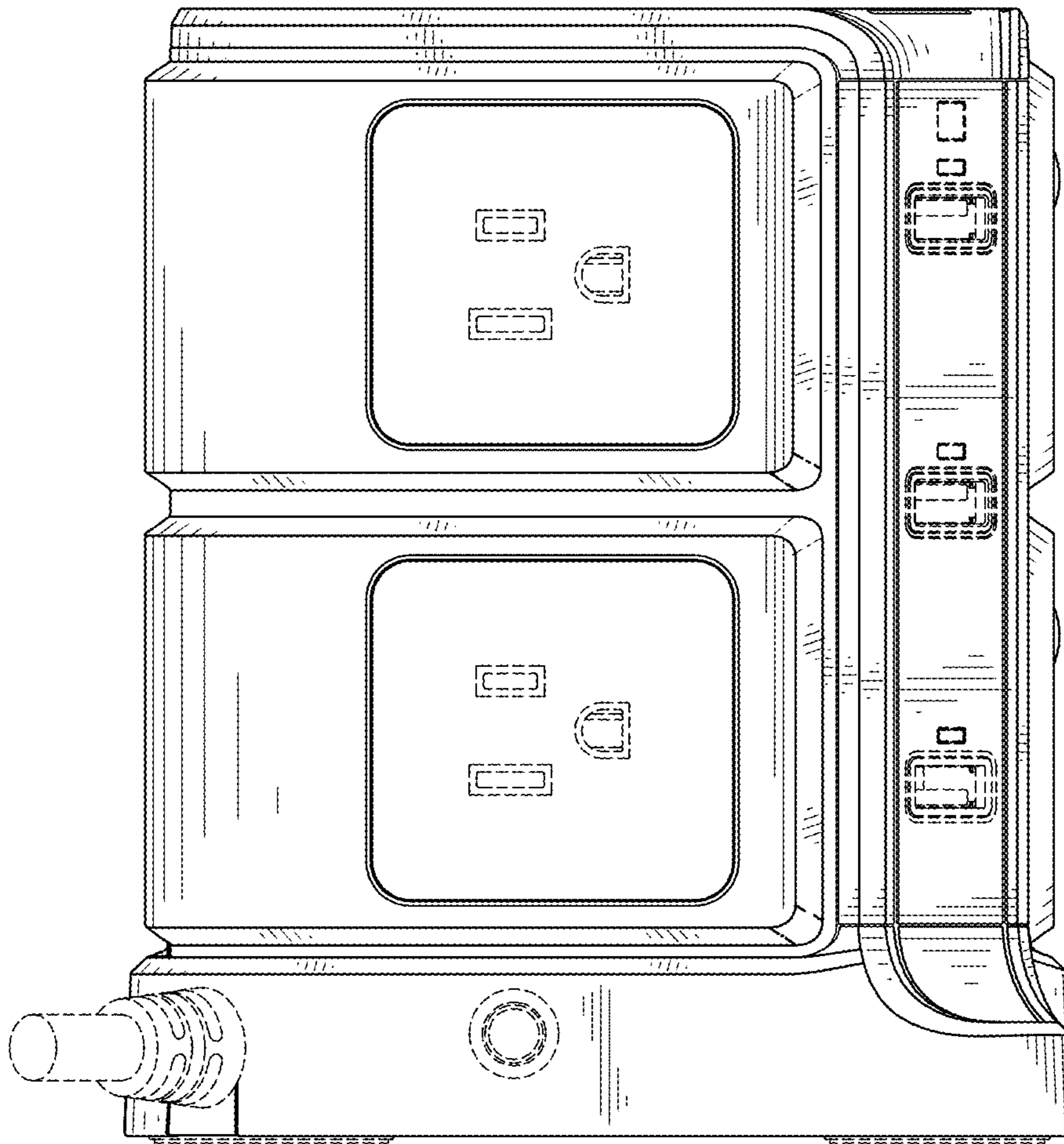


FIG. 3

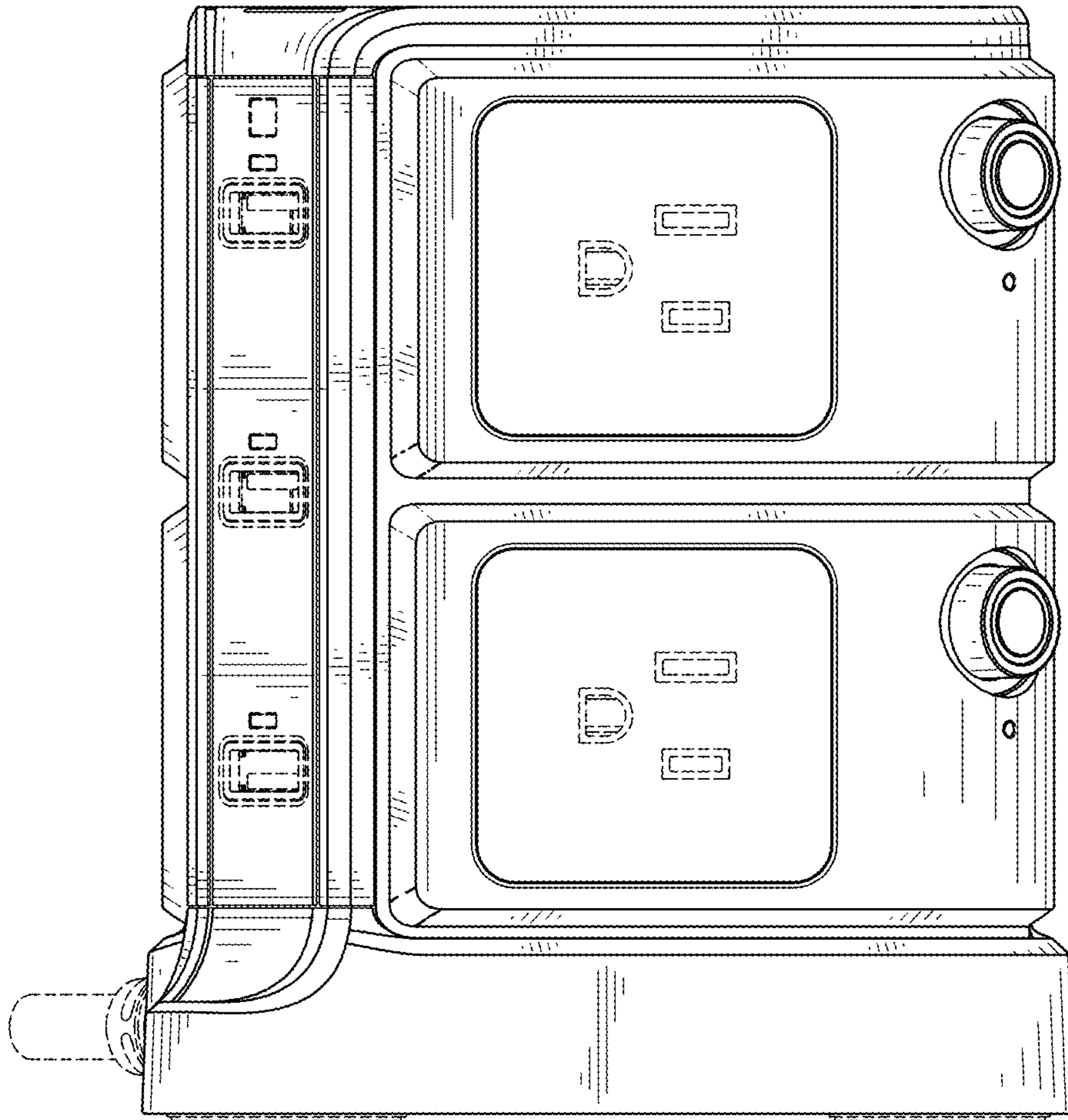


FIG. 4

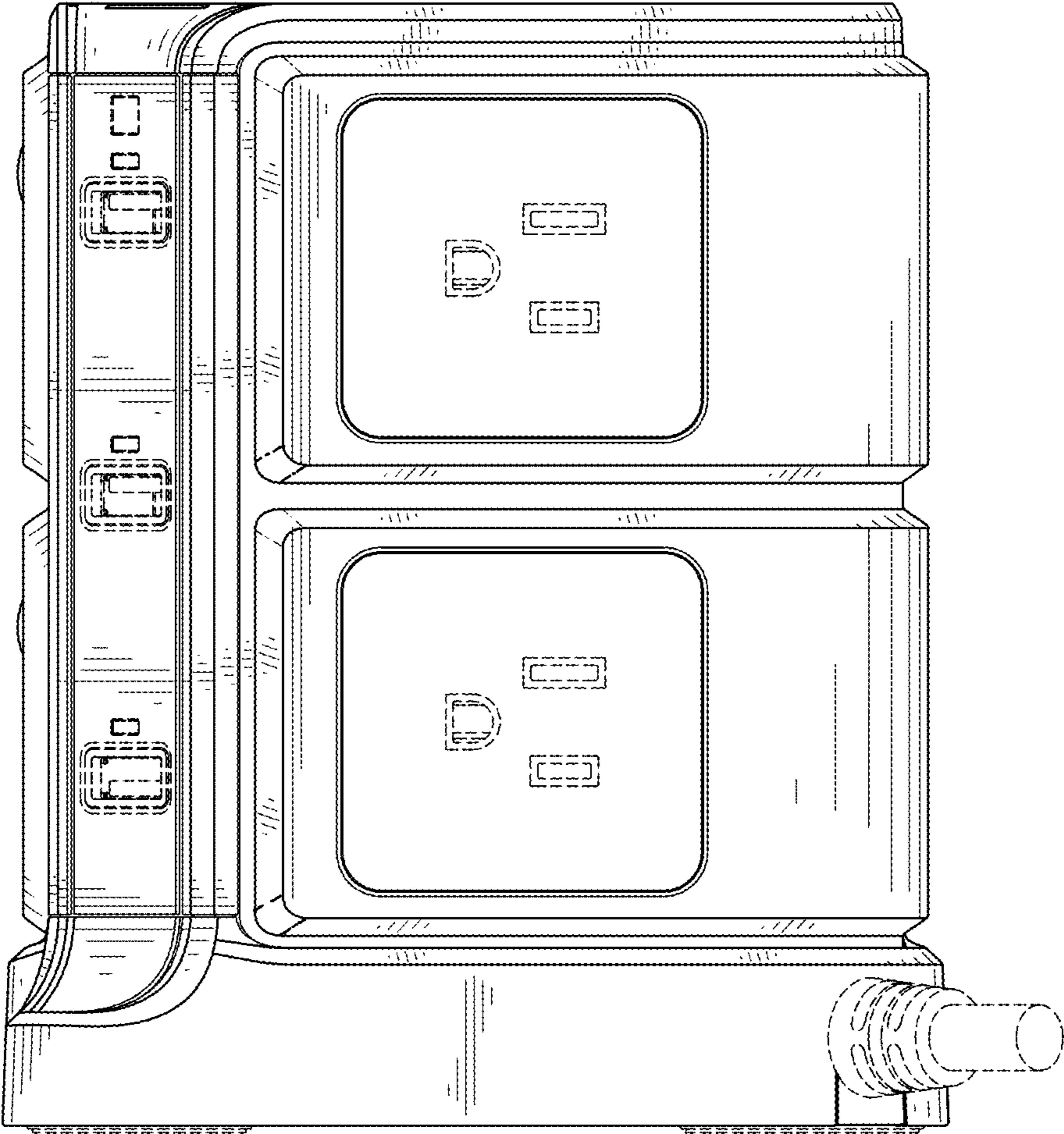


FIG. 5

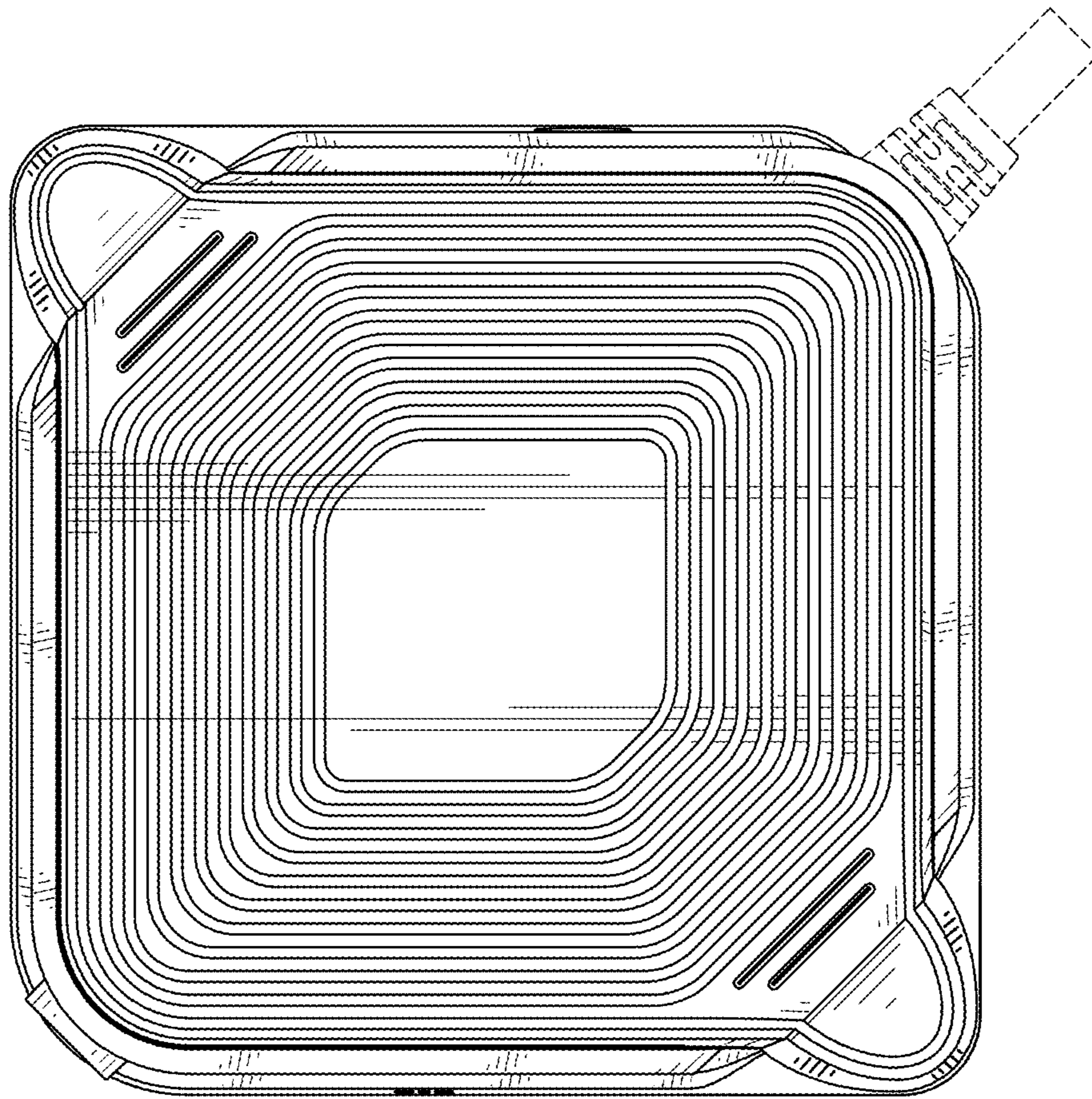


FIG. 6

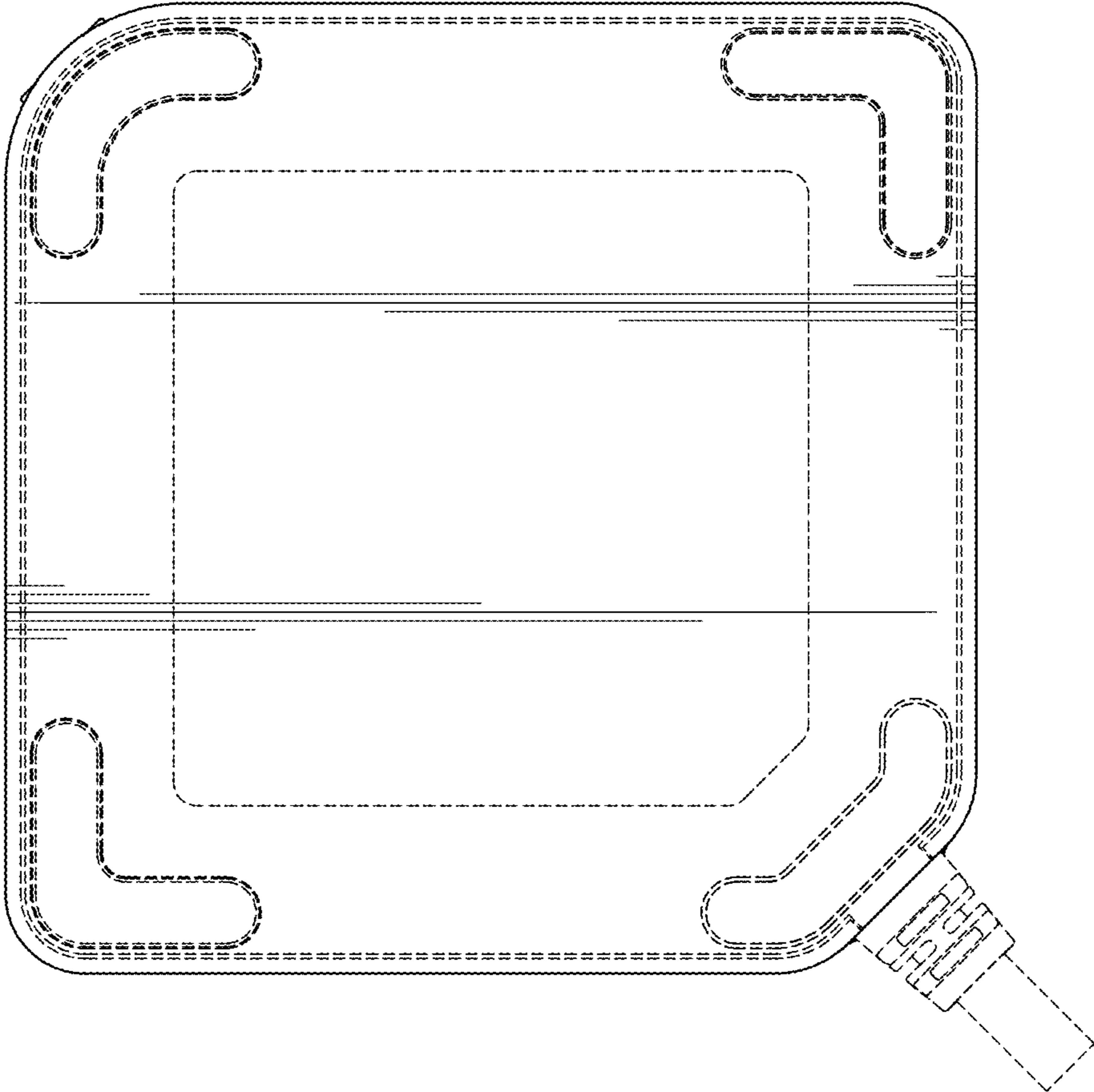


FIG. 7