



US00D807828S

(12) **United States Design Patent**
Xu

(10) **Patent No.:** **US D807,828 S**
(45) **Date of Patent:** **** Jan. 16, 2018**

(54) **ELECTRICAL OUTLET ADAPTER**

(71) Applicant: **Guangdong BESTEK E-commerce Co., Ltd., Shenzhen (CN)**

(72) Inventor: **Xinhua Xu, Shenzhen (CN)**

(73) Assignee: **Guangdong BESTEK E-commerce Co., Ltd., Shenzhen (CN)**

(**) Term: **15 Years**

(21) Appl. No.: **29/586,408**

(22) Filed: **Dec. 2, 2016**

(51) **LOC (11) Cl.** **13-03**

(52) **U.S. Cl.**
USPC **D13/137.2**

(58) **Field of Classification Search**
USPC D13/108–110, 133, 137.1–137.4,
D13/138.1–138.2, 139.1–139.8, 152–154,
D13/156, 173, 177, 151, 146, 147;
D14/433, 435.1, 432; D8/350–353, 331
CPC H01R 25/00; H01R 25/006; H01R 25/003;
H01R 9/00; H01R 11/00; H02J
2007/0062
See application file for complete search history.

(56) **References Cited**

U.S. PATENT DOCUMENTS

D701,490 S * 3/2014 Inskeep D13/110
8,963,731 B1 * 2/2015 Miller G04C 23/04
307/131

D732,041 S * 6/2015 Conn D14/433
D753,059 S * 4/2016 Krantz D13/110
D763,797 S * 8/2016 Xu D13/137.2
D766,826 S * 9/2016 Xu D13/110
D769,819 S * 10/2016 Banayan D13/110

* cited by examiner

Primary Examiner — Rosemary K Tarcza
Assistant Examiner — Christy Nemeth

(57) **CLAIM**

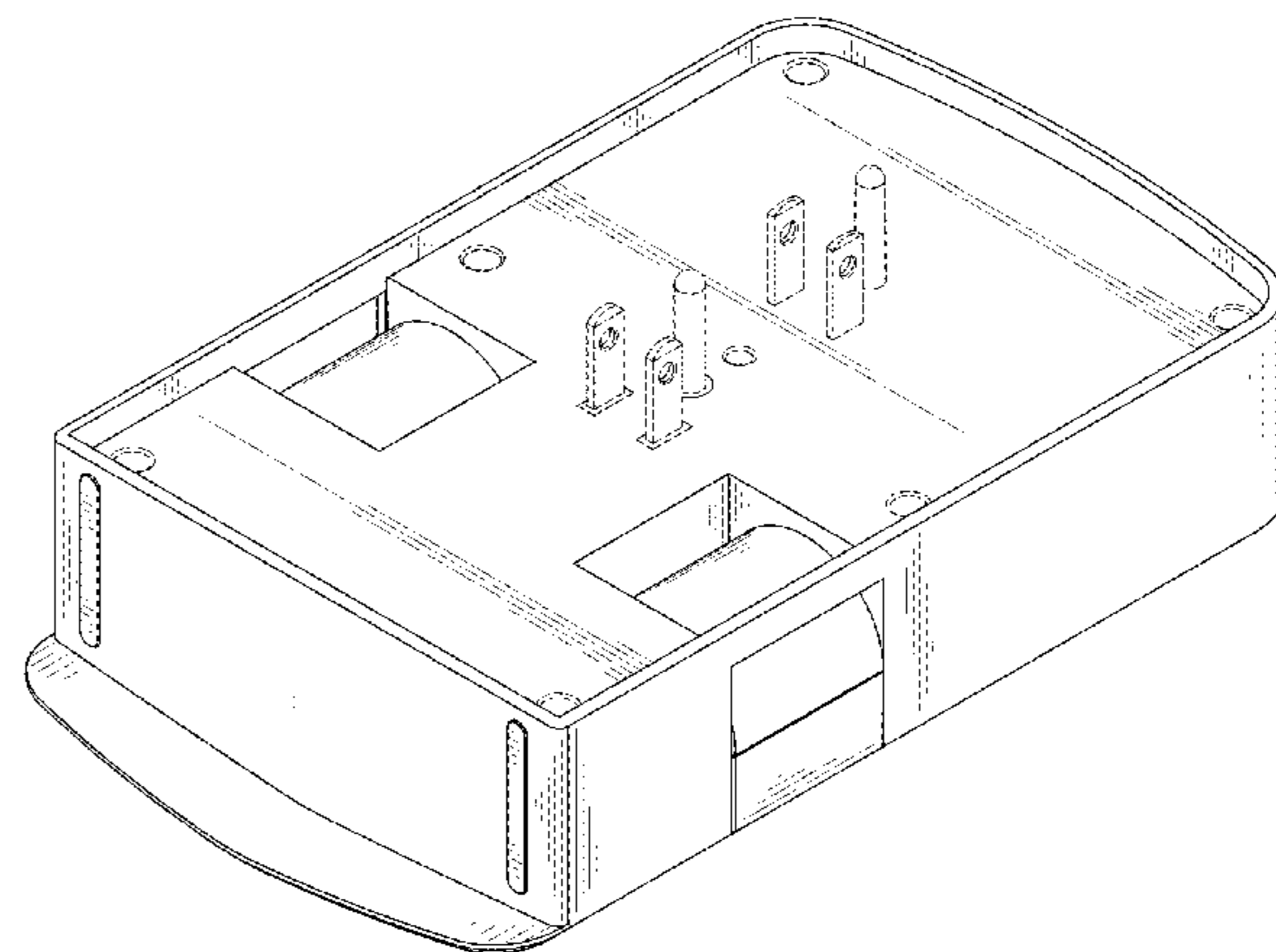
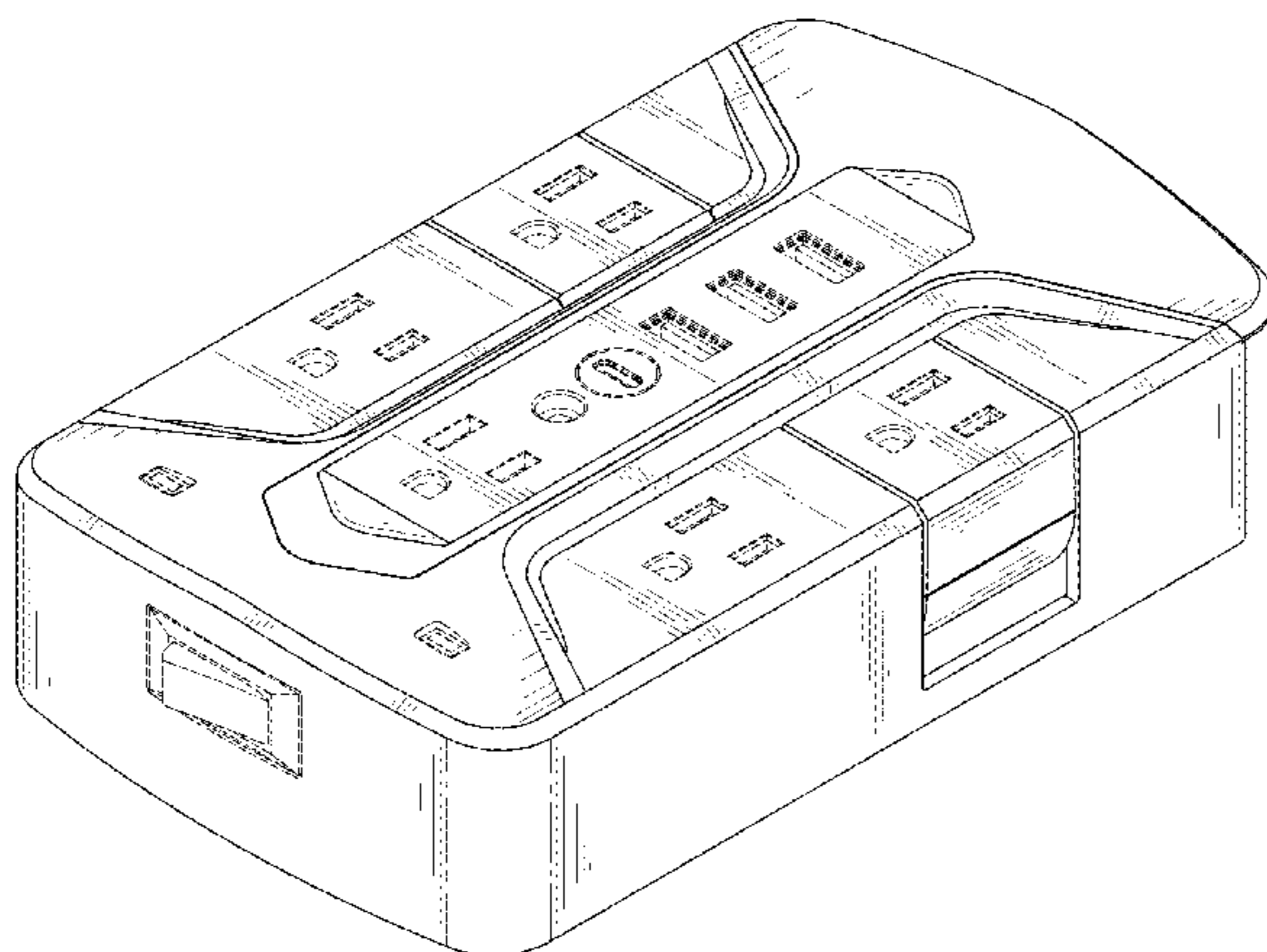
The ornamental design for a electrical outlet adapter, as shown and described.

DESCRIPTION

FIG. 1 is a top perspective view of an electrical outlet adapter, showing my new design;
FIG. 2 is a bottom perspective view thereof;
FIG. 3 is a front elevational view thereof;
FIG. 4 is a rear elevational view thereof;
FIG. 5 is a left side elevational view thereof;
FIG. 6 is a right side elevational view thereof;
FIG. 7 is a top plan view thereof; and,
FIG. 8 is a bottom plan view thereof.

The broken lines in the drawings are for the purpose of illustrating portions of the electrical outlet adapter that form no part of the claimed design.

1 Claim, 8 Drawing Sheets



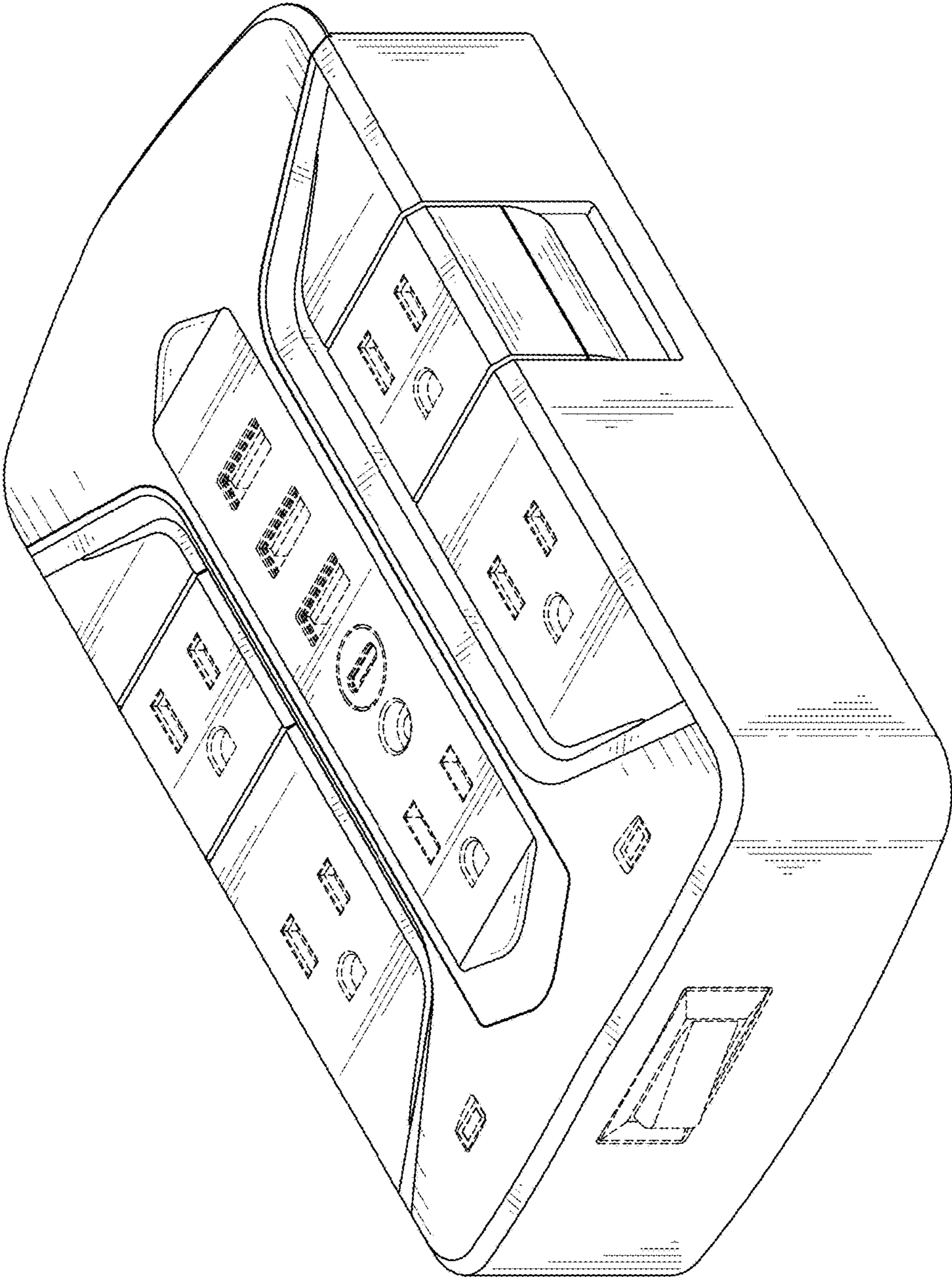


FIG. 1

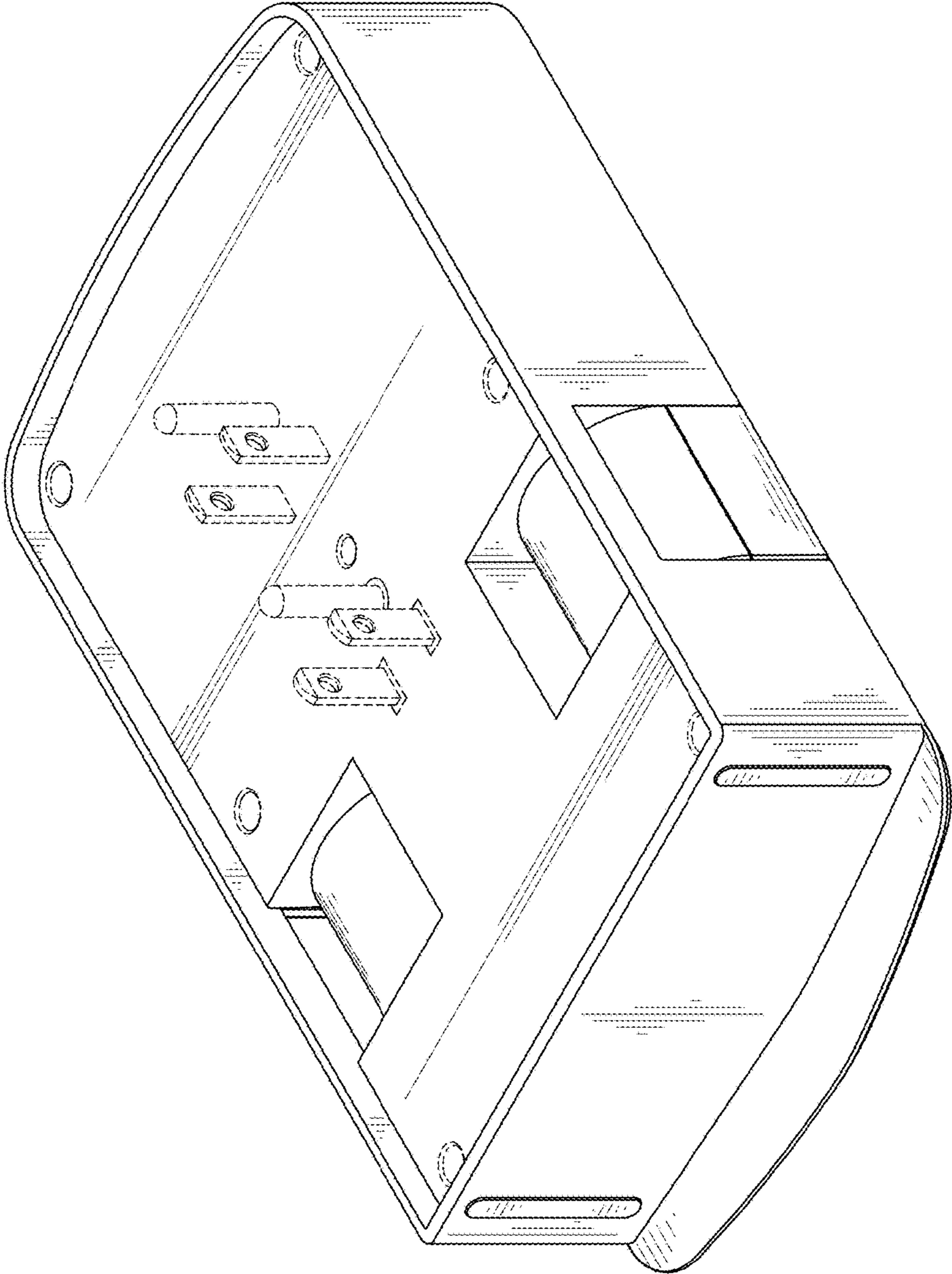


FIG. 2

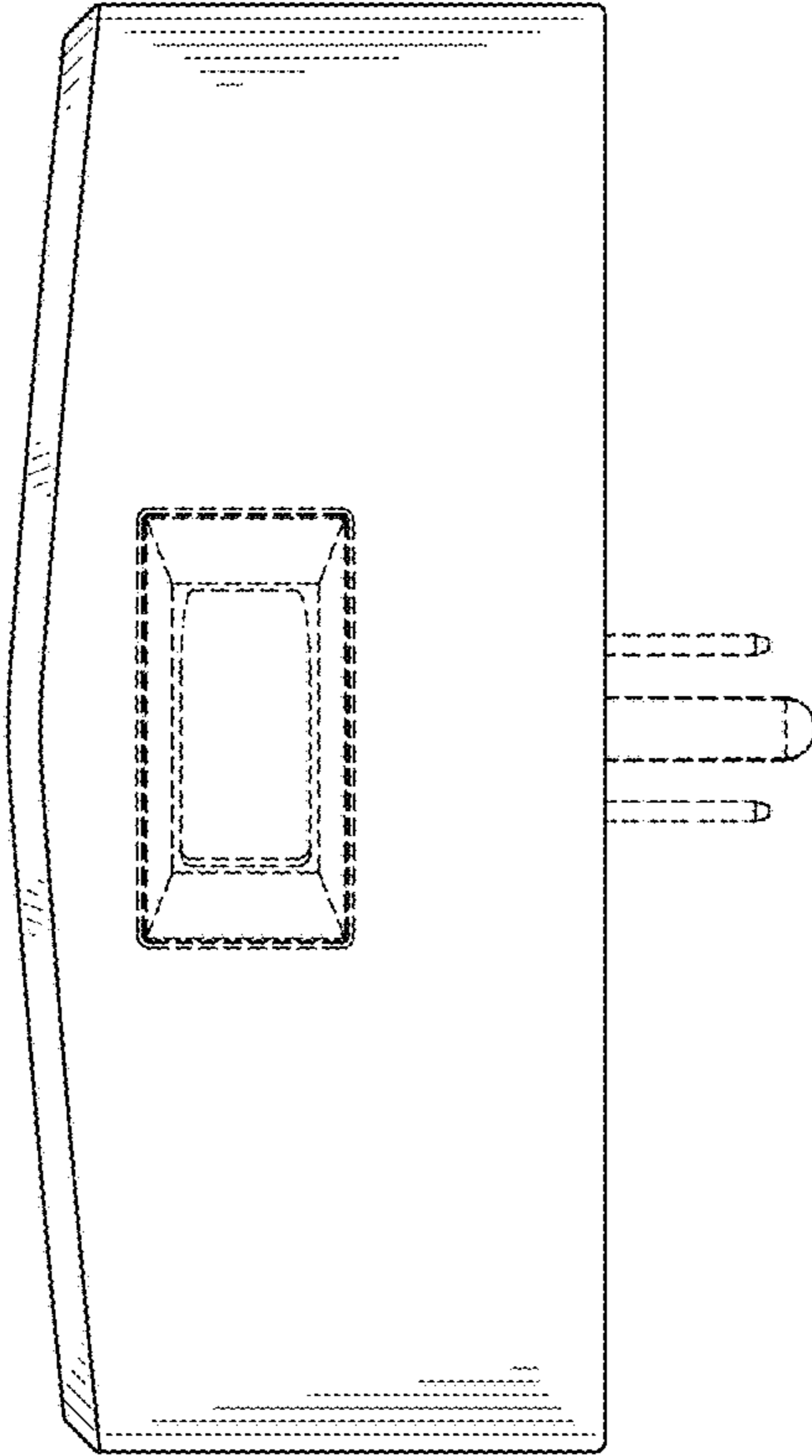


FIG. 3

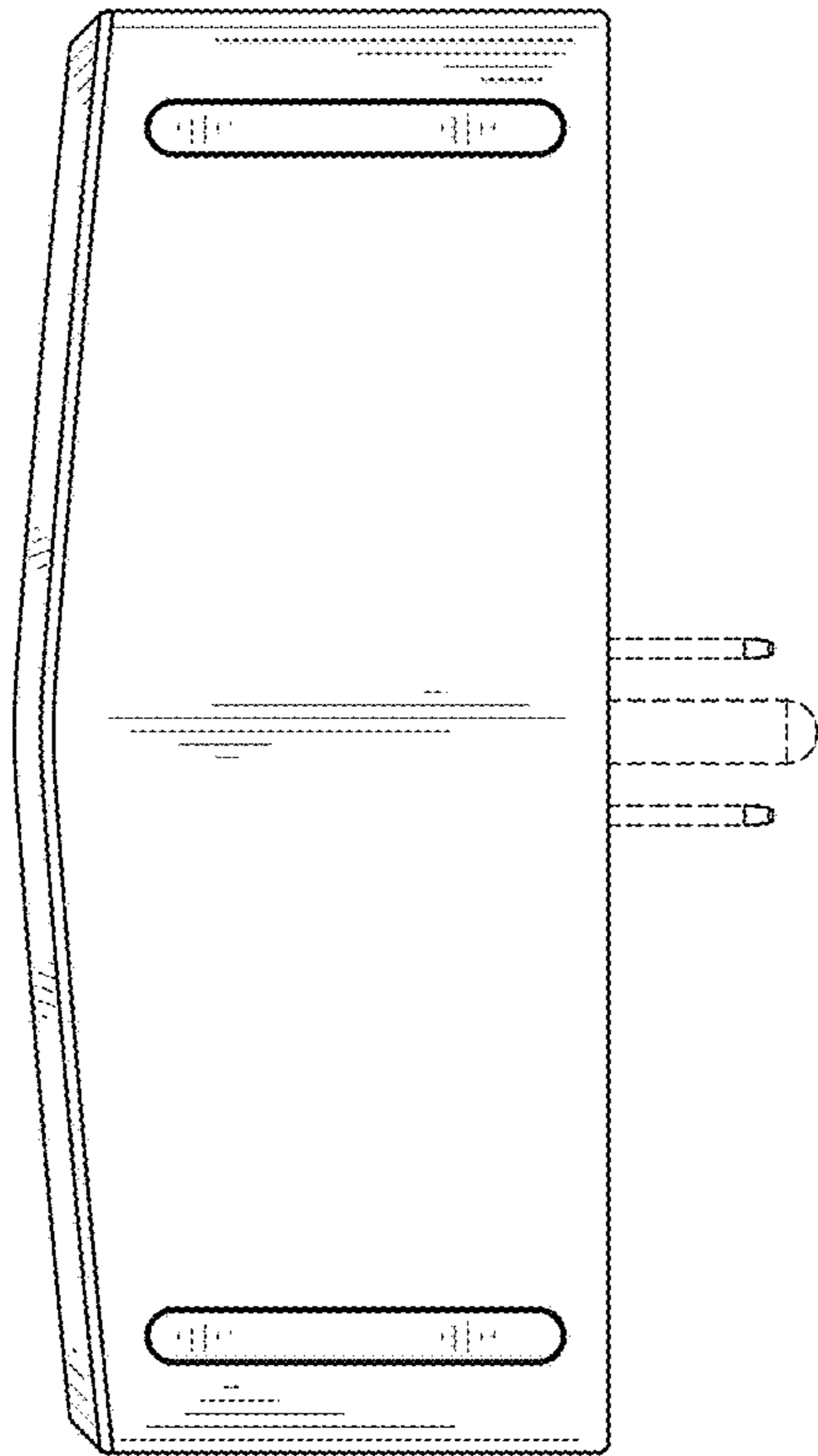


FIG. 4

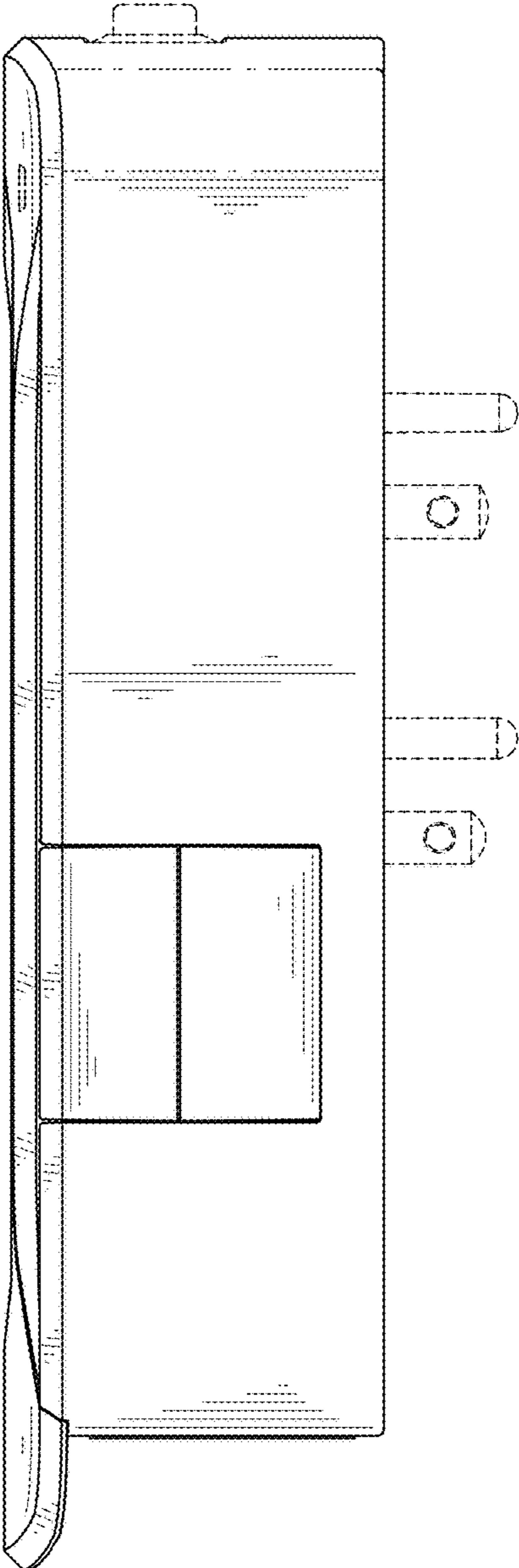


FIG. 5

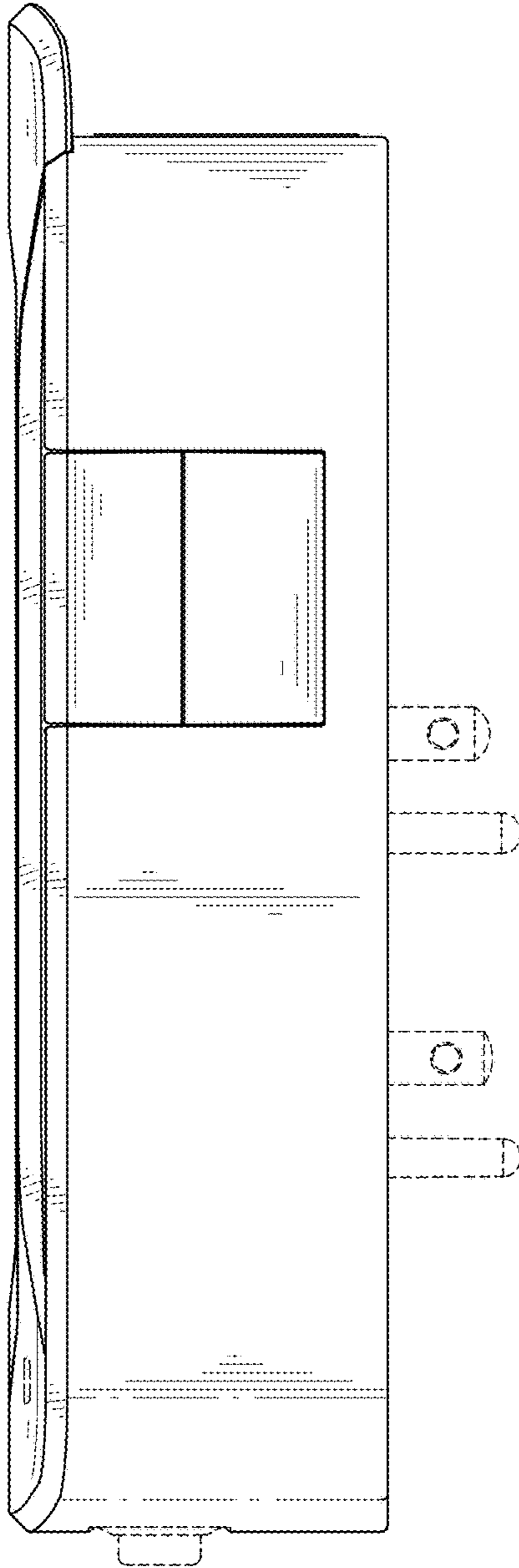


FIG. 6

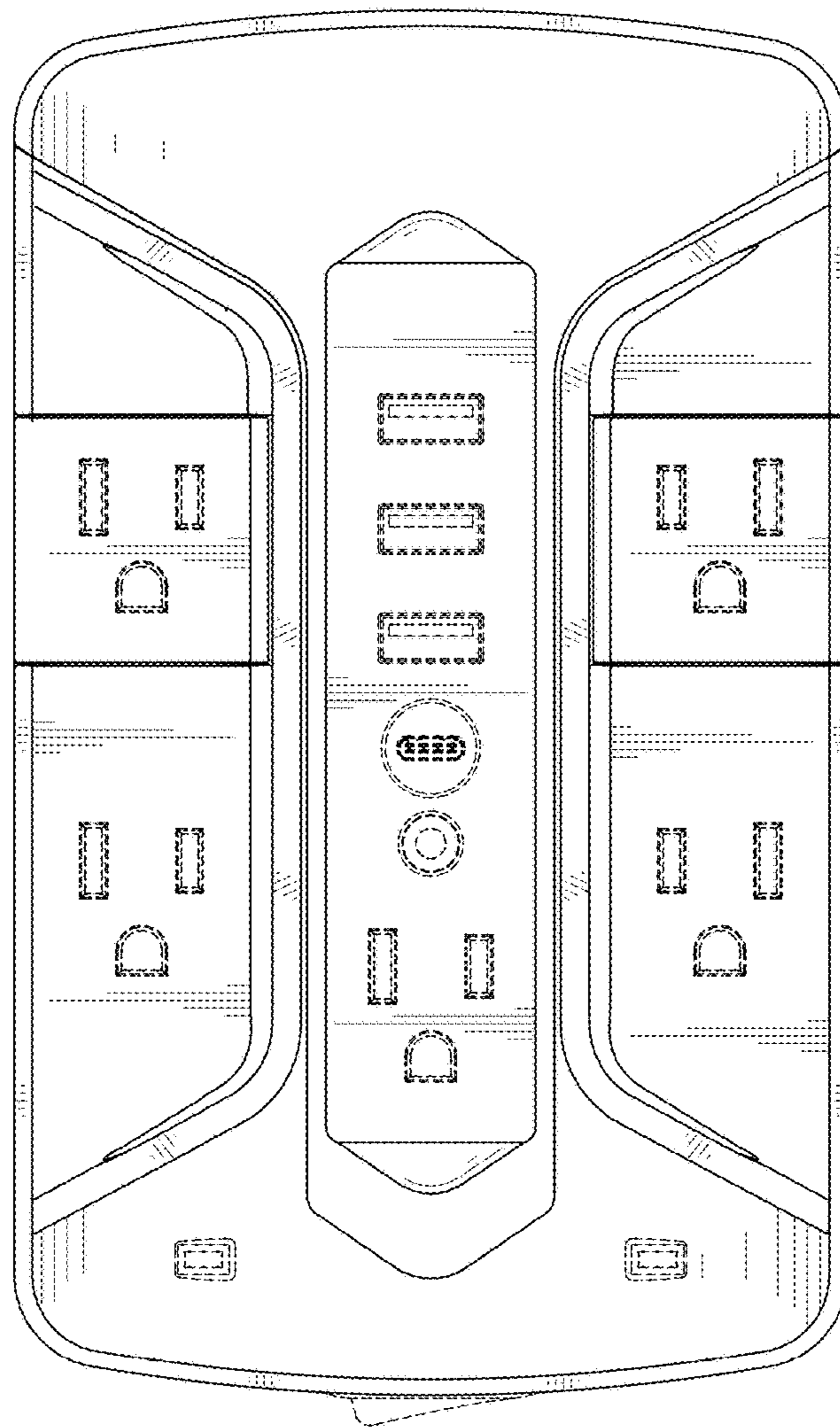


FIG. 7

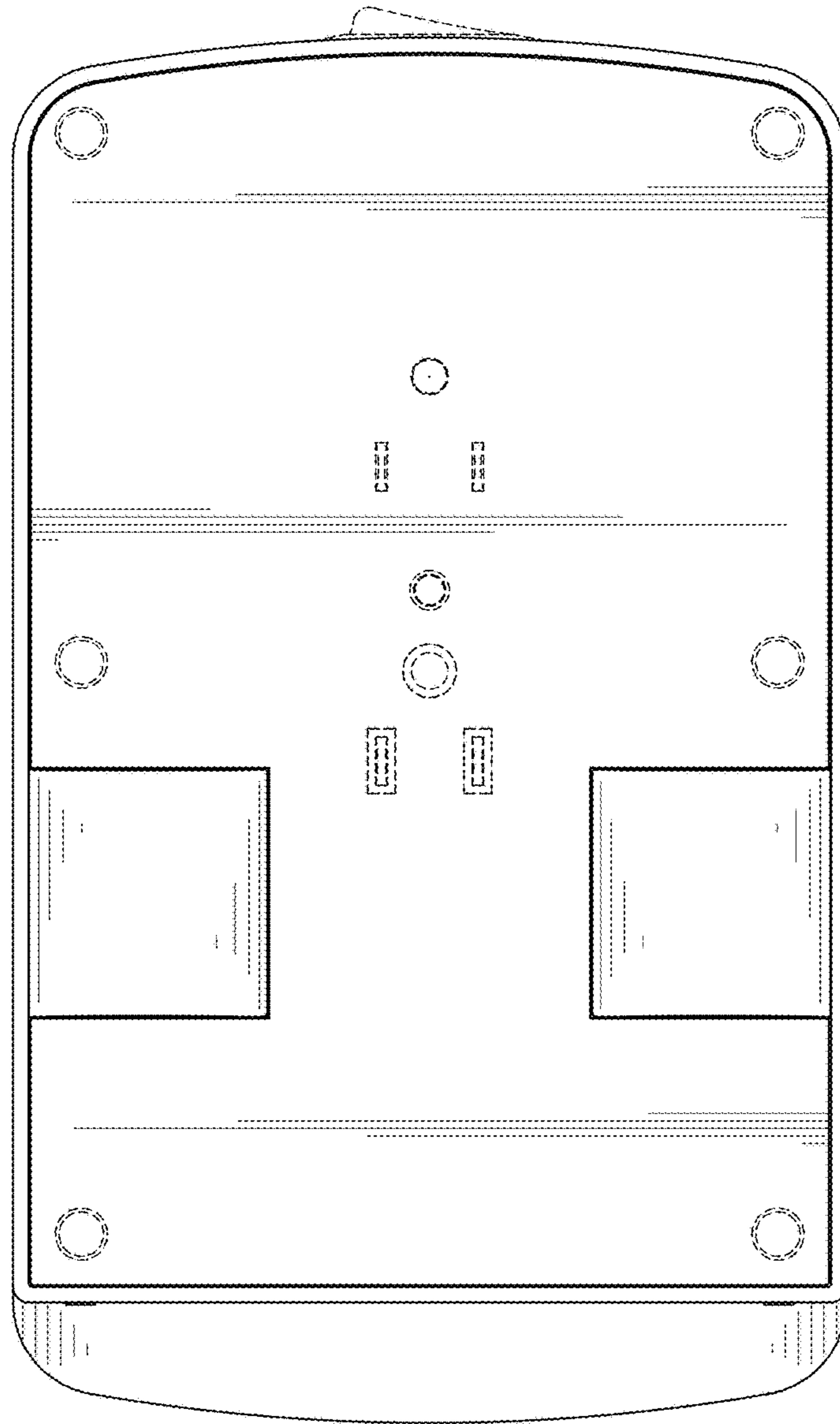


FIG. 8