



US00D807826S

(12) **United States Design Patent**
Miller et al.

(10) **Patent No.:** **US D807,826 S**
(45) **Date of Patent:** **** Jan. 16, 2018**

(54) **COMBINATION POWER ADAPTER AND
DETACHABLE BATTERY**

D599,737 S 9/2009 Amidei et al.
D599,738 S 9/2009 Amidei et al.
D610,094 S 2/2010 Ouimette et al.

(71) Applicant: **Halo2Cloud LLC**, Glastonbury, CT
(US)

(Continued)

(72) Inventors: **Garold C. Miller**, Glastonbury, CT
(US); **Nathan Daniel Weinstein**,
Glastonbury, CT (US)

(73) Assignee: **HALO2CLOUD, LLC**, Hartford, CT
(US)

(**) Term: **15 Years**

(21) Appl. No.: **29/558,555**

(22) Filed: **Mar. 18, 2016**

(51) **LOC (11) Cl.** **13-03**

(52) **U.S. Cl.**
USPC **D13/133; D13/110**

(58) **Field of Classification Search**
USPC D13/107, 108, 110, 118, 123, 133, 134,
D13/137.2, 137.3, 139.1, 139.2, 146, 147,
D13/148, 149, 150, 151, 152, 154, 156,
D13/158, 159, 162, 173, 179, 184, 199;
D10/105, 106.2, 106.5, 106.6, 106.8,
D10/114.8; D15/138; D21/464; D26/26,
D26/85; D28/8
CPC H01R 9/2408; H01R 13/24; H01R 31/065;
H01R 13/72; H01R 27/00; H01R 12/718;
H01R 12/88; H01R 12/89; H01R
13/5205; H01R 13/5221; H01R 13/5816;
H01R 13/582; H01R 13/5825; H01R
13/5829; H01R 13/5833; H01R 13/6275;
H01R 13/6589; H01R 13/743; H01R
13/745; H01R 23/727; H01R 31/06; H02J
7/0042

See application file for complete search history.

(56) **References Cited**

U.S. PATENT DOCUMENTS

D478,310 S 8/2003 Andre et al.
D478,546 S 8/2003 Andre et al.

OTHER PUBLICATIONS

AC Adapter M7332 For Apple, posted at Amazon.com, posted on
Apr. 18, 2014, [online], [site visited Apr. 10, 2017]. Available from
Internet, <<https://www.amazon.com/Adapter-M7332-Apple-Lap-top-Power/dp/B00IXP1OH2>>.*

(Continued)

Primary Examiner — Mary Ann Calabrese

Assistant Examiner — Catherine Ho

(74) *Attorney, Agent, or Firm* — McCormick, Paulding &
Huber LLP

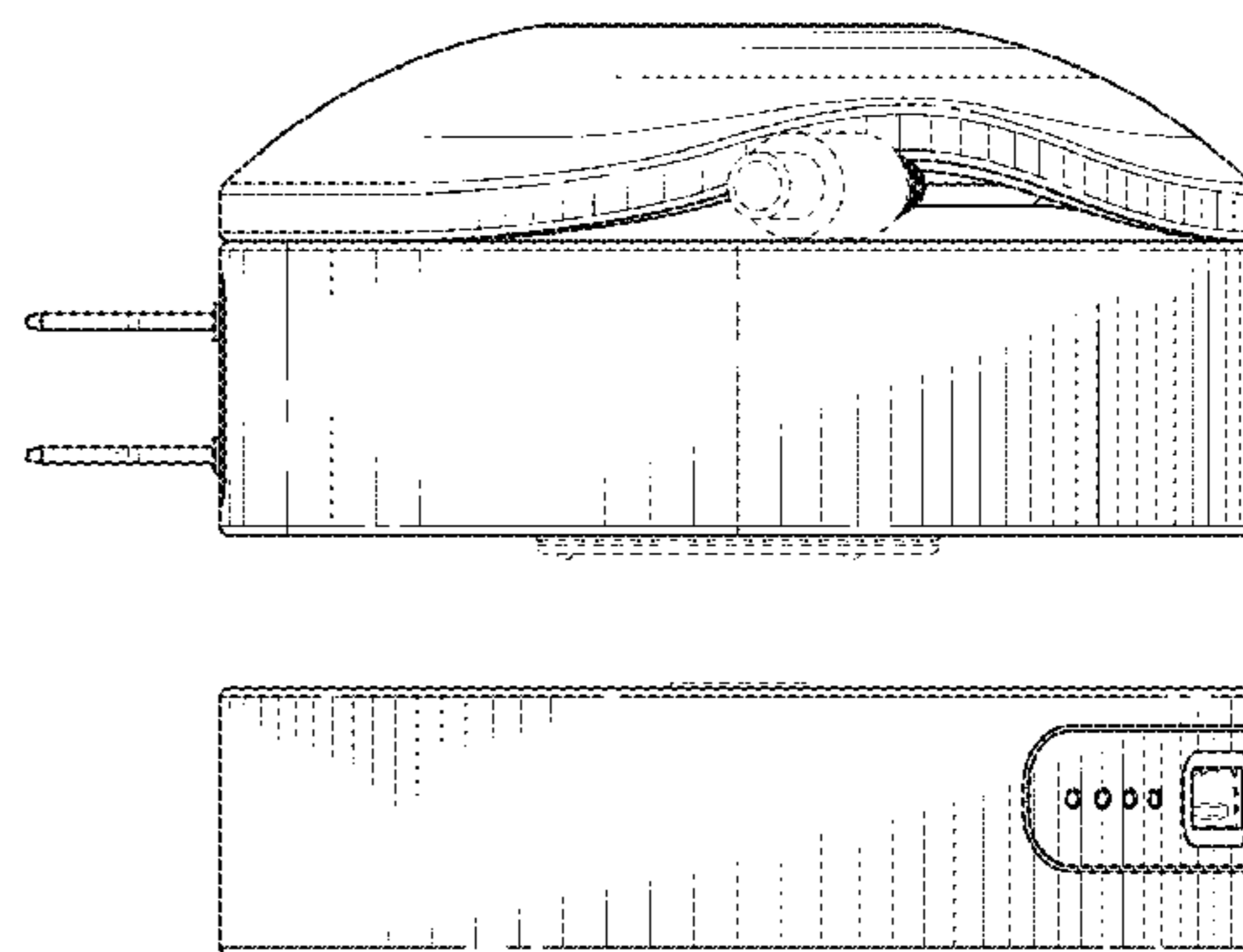
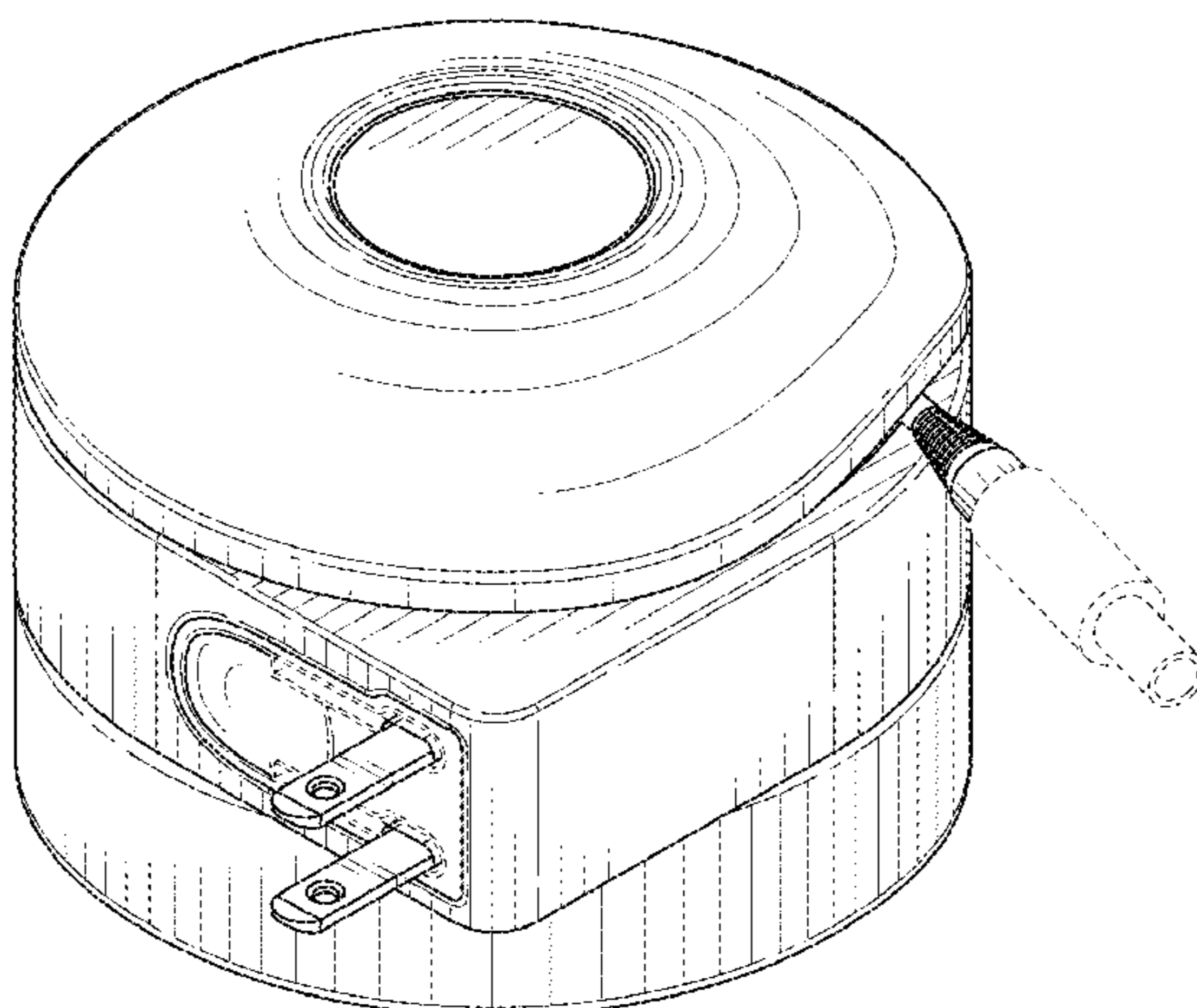
(57) **CLAIM**

The ornamental design for a combination power adapter and
detachable battery, substantially as shown and described.

DESCRIPTION

FIG. 1 is a front, top perspective view of a combination
power adapter and detachable battery comprising an
embodiment of a new, original and ornamental design;
FIG. 2 is a front view thereof;
FIG. 3 is a back view thereof;
FIG. 4 is a left-hand side view thereof;
FIG. 5 is a right-hand side view thereof;
FIG. 6 is a top view thereof;
FIG. 7 is a bottom view thereof; and,
FIG. 8 is another front view of the combination power
adapter and detachable battery of FIG. 1 with the battery
detached from the power adapter.
The broken line portions of the figure drawings are included
to show unclaimed subject matter only and form no part of
the claimed design.

1 Claim, 5 Drawing Sheets



(56)

References Cited

U.S. PATENT DOCUMENTS

D616,363 S 5/2010 Weng
 7,766,698 B1 8/2010 De Iuliis et al.
 D628,151 S 11/2010 Wegener et al.
 D628,152 S 11/2010 Fujii et al.
 D628,153 S 11/2010 Fujii et al.
 D633,231 S * 2/2011 Morrison D26/24
 D636,725 S 4/2011 Levy et al.
 D641,695 S 7/2011 Wegener et al.
 D645,818 S * 9/2011 Guccione D13/108
 D647,476 S 10/2011 Ciou
 D649,017 S 11/2011 Stieler
 D656,096 S 3/2012 Sasada et al.
 D659,093 S 5/2012 Schmid et al.
 D666,968 S 9/2012 Huang
 D667,788 S 9/2012 Mai
 D674,748 S 1/2013 Ferber et al.
 D680,063 S 4/2013 Sasada
 D682,196 S 5/2013 Leung
 D682,197 S 5/2013 Leung
 D694,185 S 11/2013 Matsuoka et al.
 D696,190 S * 12/2013 Brandtman D13/108
 D712,829 S 9/2014 Huang
 D717,484 S * 11/2014 Rozot D26/85
 D722,959 S 2/2015 Bulgarov et al.
 D737,760 S * 9/2015 Kyriakoulis D13/108
 D738,303 S 9/2015 Symons

D749,504 S * 2/2016 Jeong D13/108
 D757,014 S 5/2016 Hahn et al.
 D772,813 S 11/2016 Wahl
 2010/0317255 A1 * 12/2010 Van Dan Elzen A63H 1/30
 446/250
 2013/0119181 A1 5/2013 Fan
 2015/0188339 A1 7/2015 Green et al.
 2016/0175722 A1 * 6/2016 Cai A63H 1/30
 446/250
 2016/0276856 A1 * 9/2016 Miller H02J 7/0042
 2016/0380446 A1 12/2016 Loewen

OTHER PUBLICATIONS

AC Charger with Rewindable Cable for Traveling, posted at Itmedia.co.jp, posted on Oct. 24, 2013, [site visited Apr. 10, 2017]. Available from Internet, <<http://www.itmedia.co.jp/mobile/articles/1310/24/news140.html>>.*
 TATSoul Gen 2, posted at Youtube.com, posted on May 30, 2014, [online], [site visited Apr. 10, 2017]. Available from Internet, <https://youtu.be/8Fh1BecF0e0?list=UU1CoNDhysaSht7A2Ta_bCIA>.*
 Tera Grand—Premium Cat-7, posted at Amazon.com, posted on Jul. 23, 2015, [site visited Apr. 10, 2017]. Available from Internet, <<https://www.amazon.com/dp/B0064EKNKI?psc=1>>.*

* cited by examiner

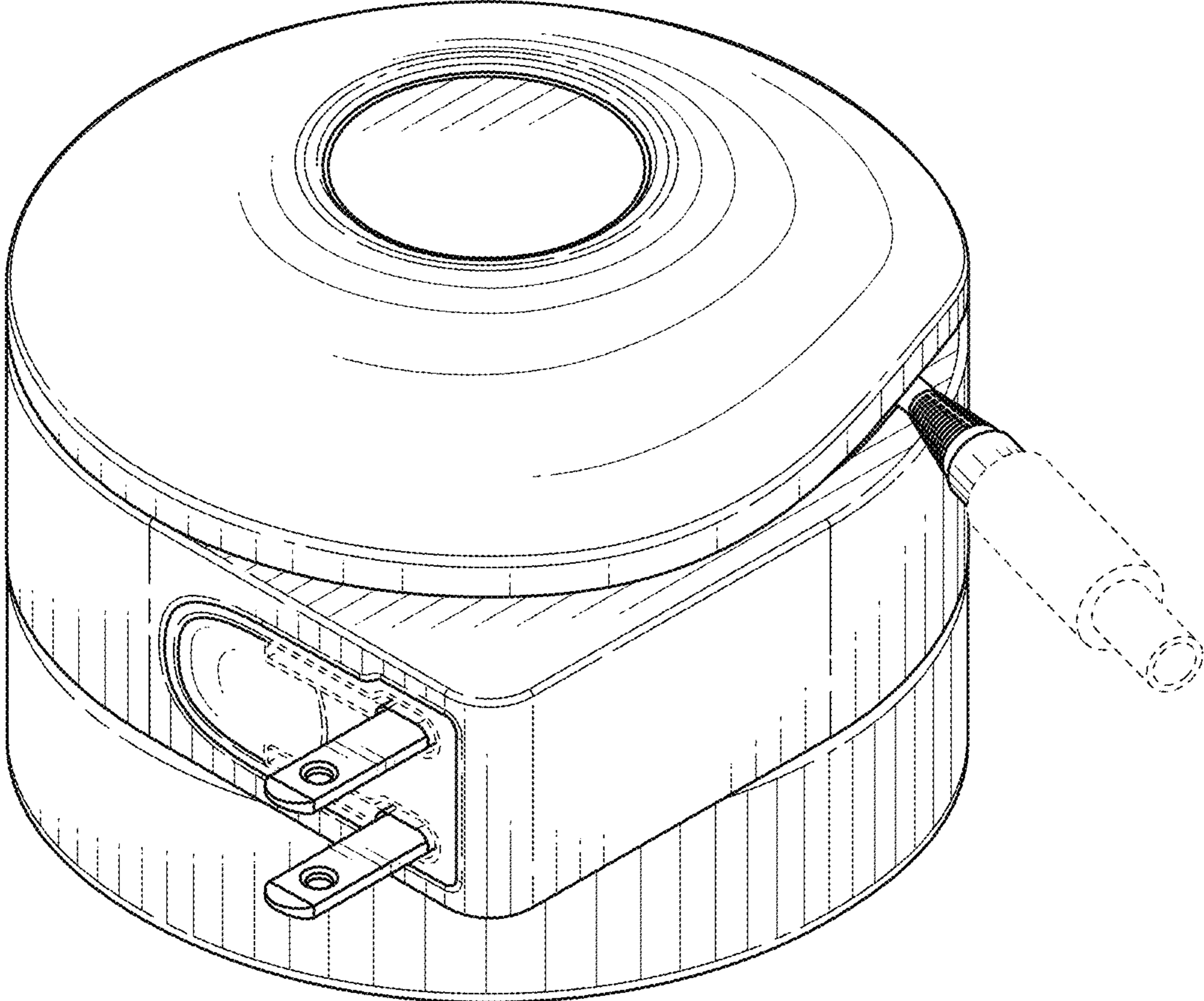


FIG. 1

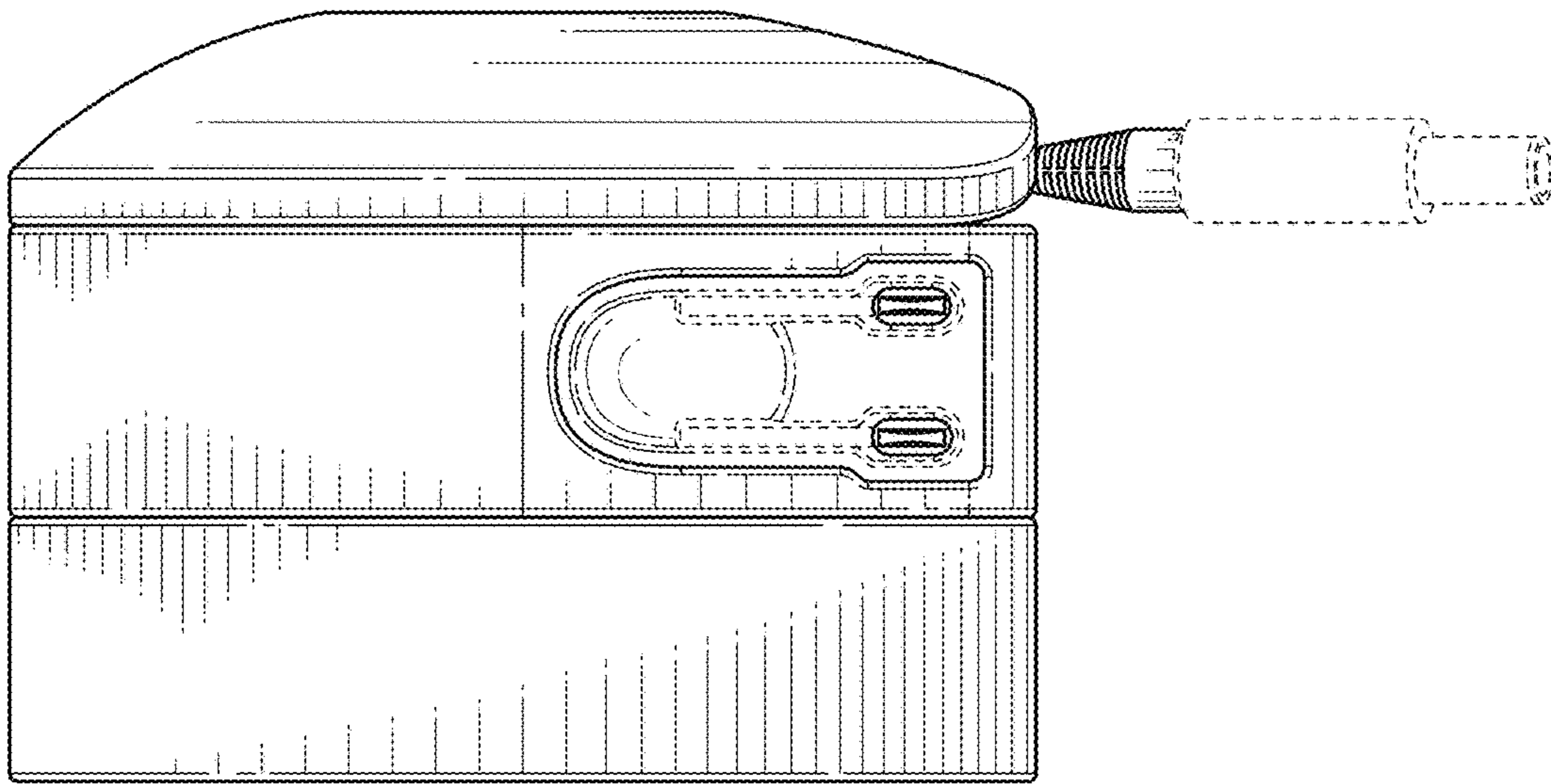


FIG. 2

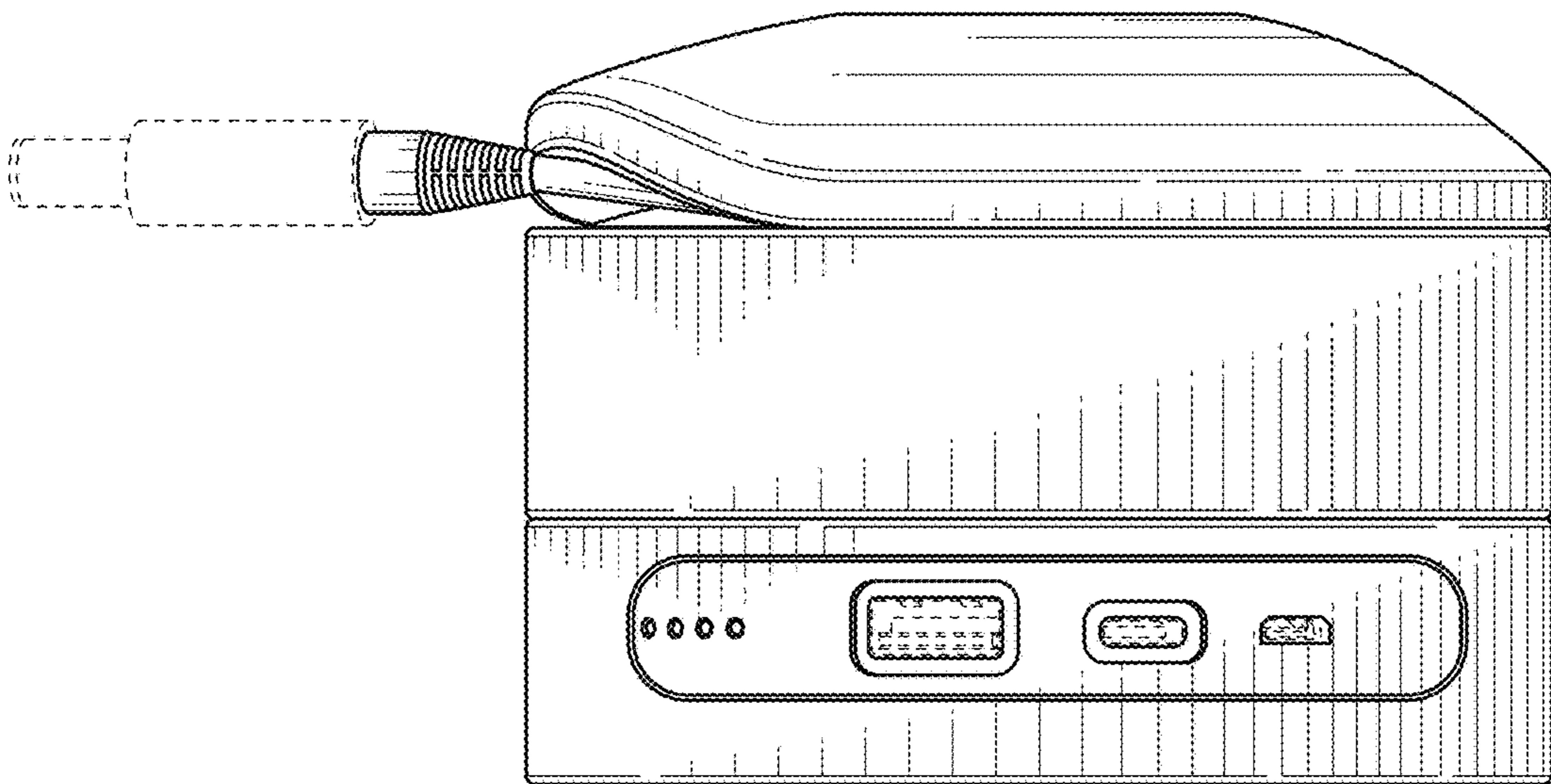


FIG. 3

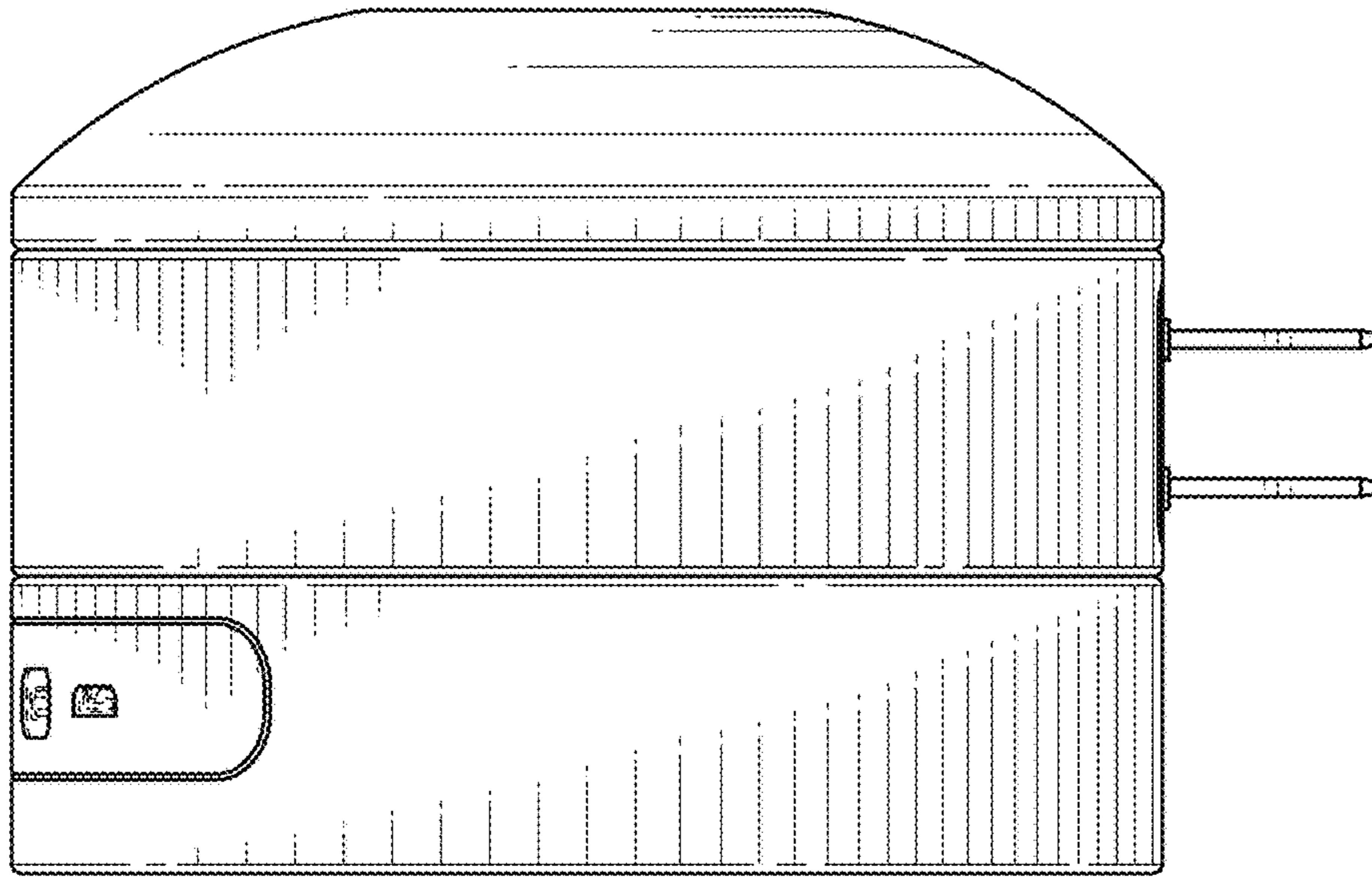


FIG. 4

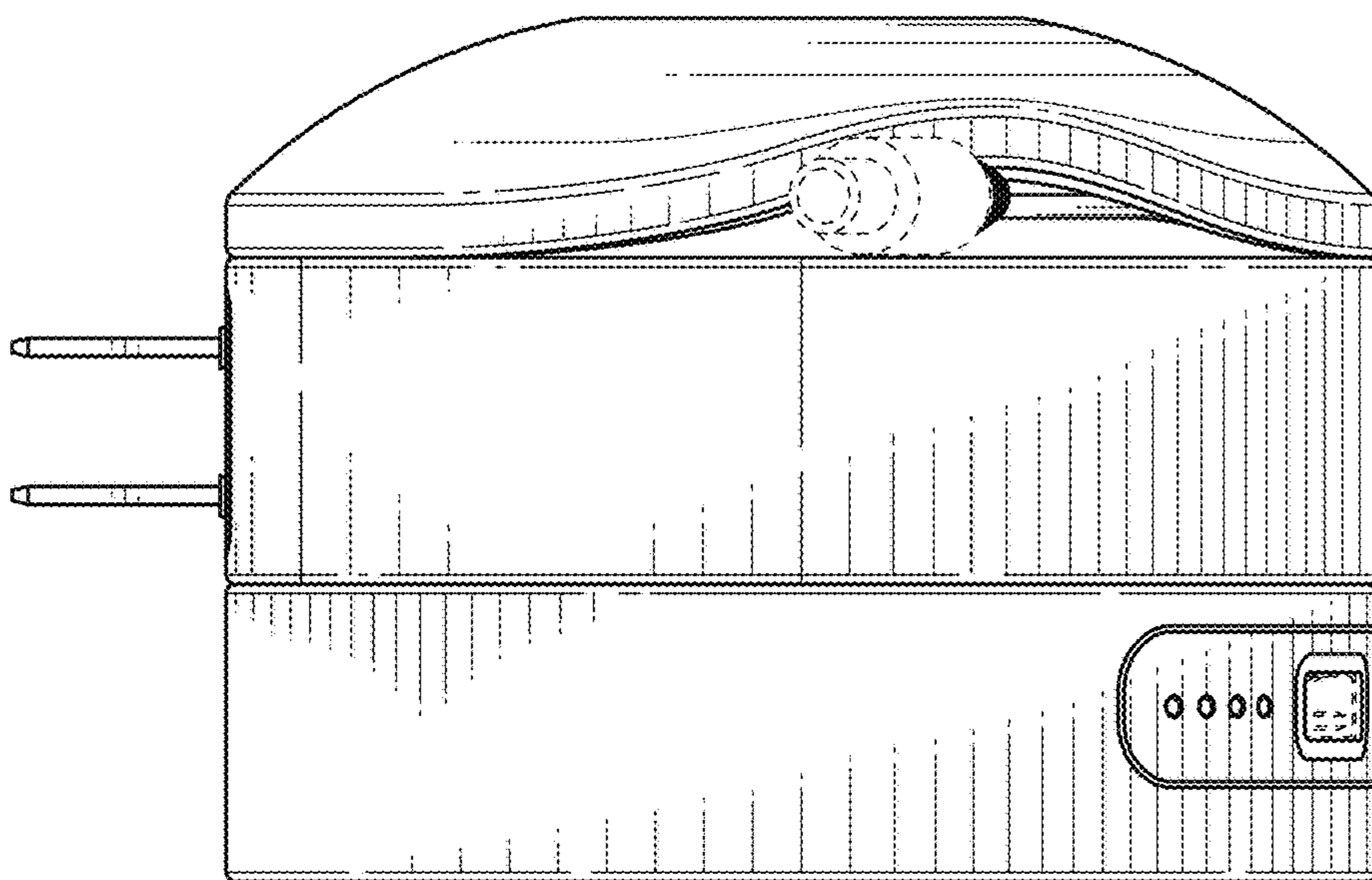


FIG. 5

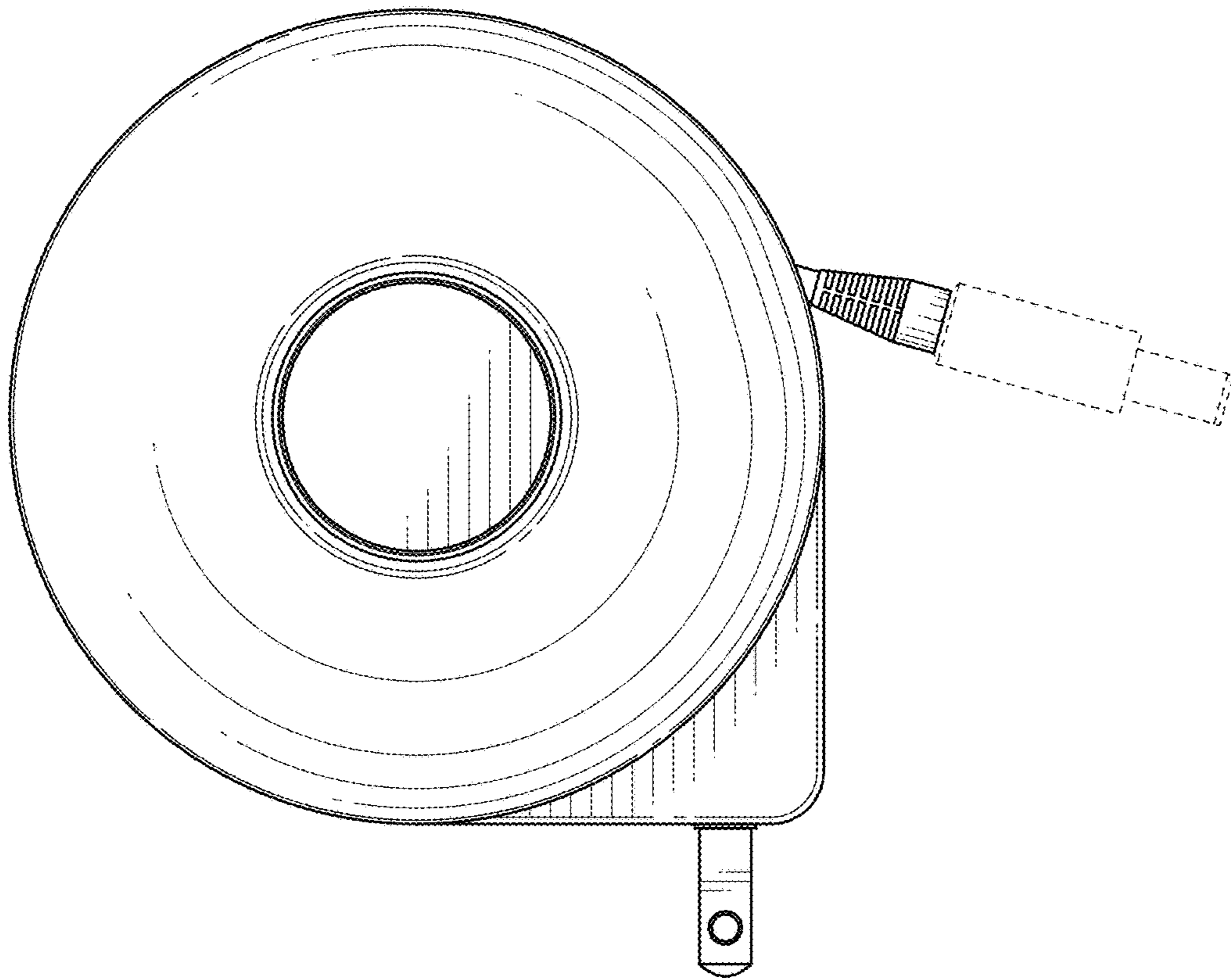


FIG. 6

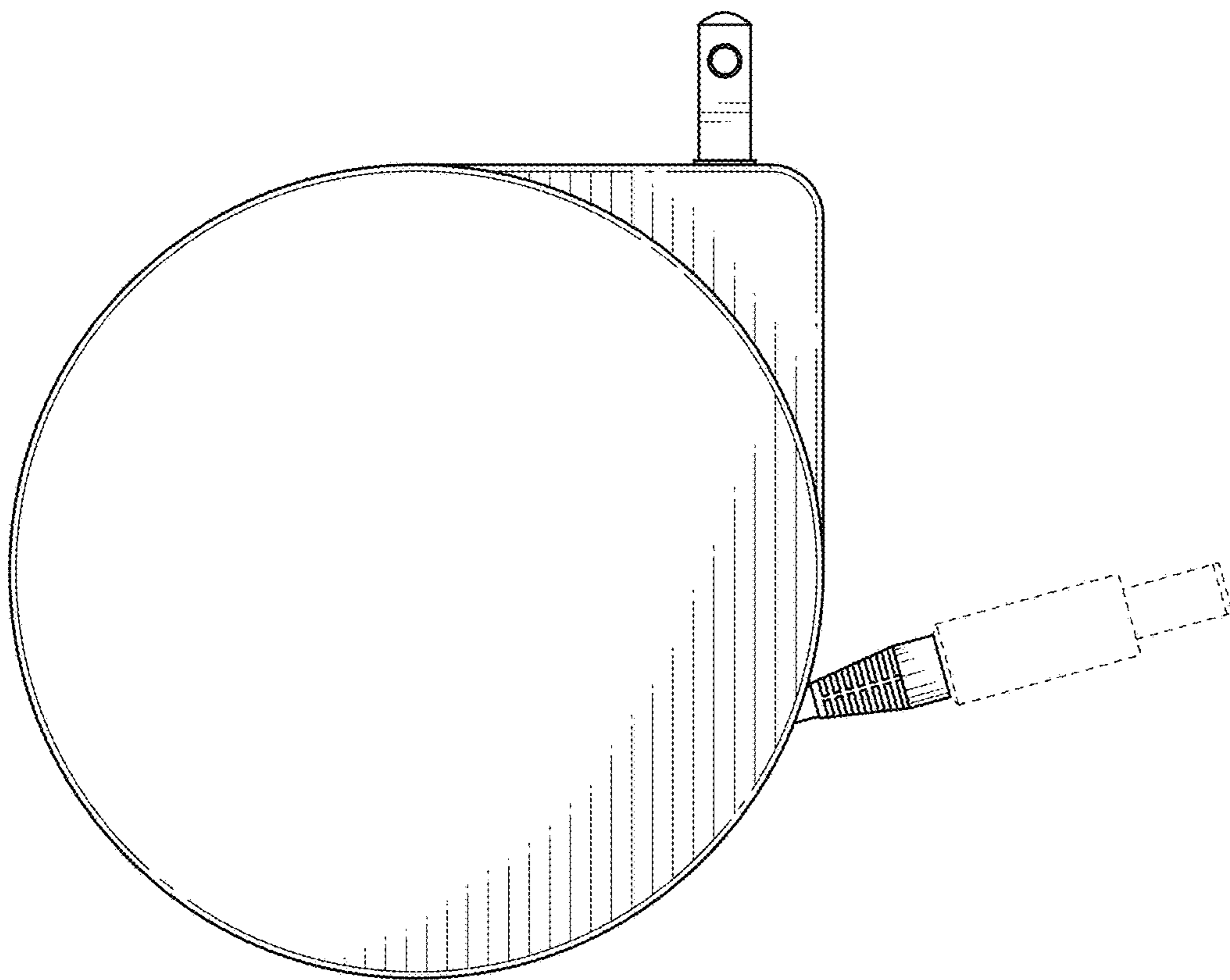


FIG. 7

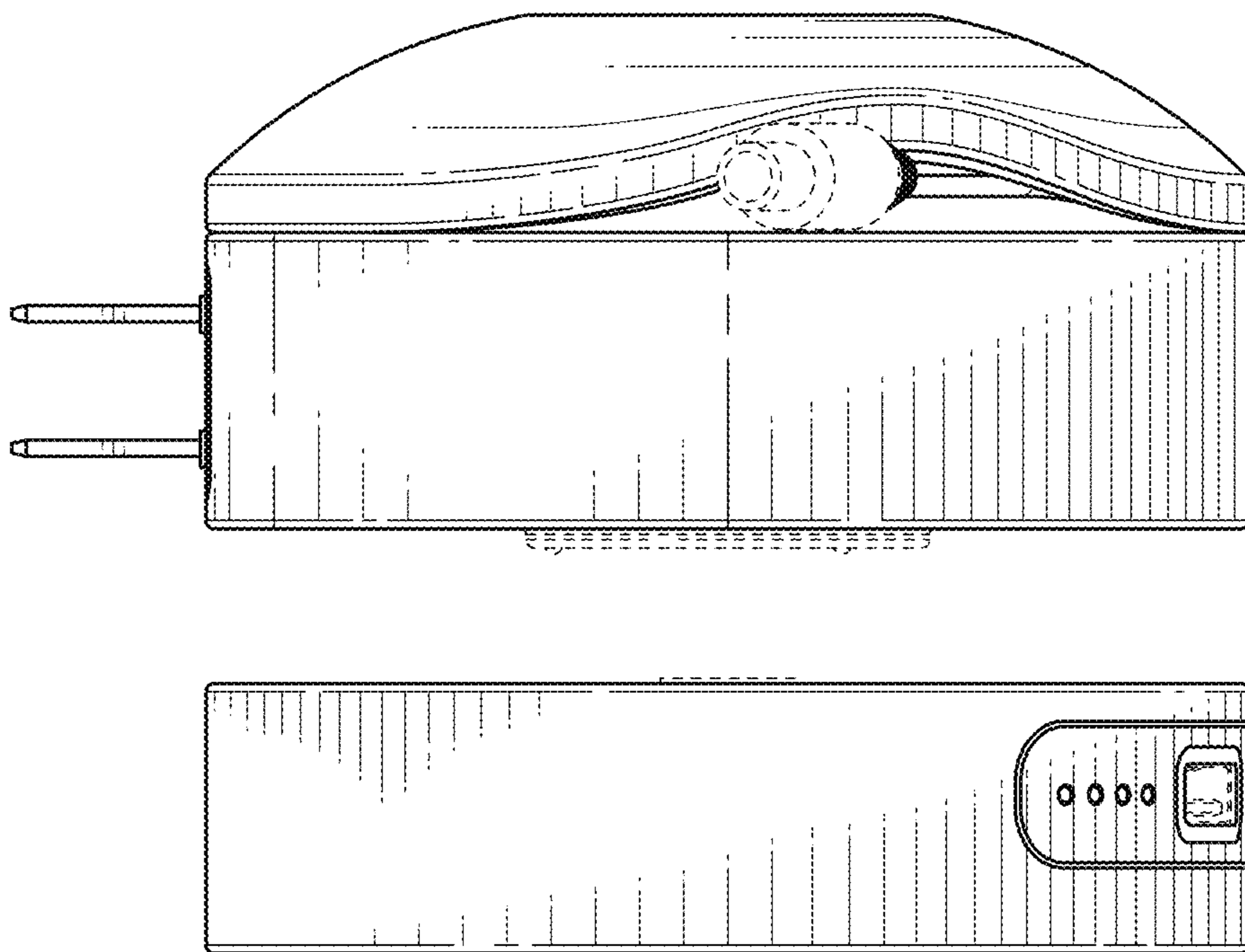


FIG. 8