



US00D807822S

(12) **United States Design Patent**  
**Senff**

(10) **Patent No.:** **US D807,822 S**  
(45) **Date of Patent:** **\*\* Jan. 16, 2018**

(54) **POWER SUPPLY CARTRIDGE**

- (71) Applicant: **WATER PIK, INC.**, Fort Collins, CO (US)
- (72) Inventor: **Oscar Senff**, Broomfield, CO (US)
- (73) Assignee: **Water Pik, Inc.**, Fort Collins, CO (US)
- (\*\*) Term: **15 Years**
- (21) Appl. No.: **29/571,558**
- (22) Filed: **Jul. 19, 2016**
- (51) **LOC (11) Cl.** ..... **13-02**
- (52) **U.S. Cl.**  
USPC ..... **D13/110**
- (58) **Field of Classification Search**  
USPC ..... D13/110, 137.1, 138.1, 138.2, 133;  
D14/439  
CPC ..... H01R 31/06; H01R 13/6666; H01R 13/70  
See application file for complete search history.

FOREIGN PATENT DOCUMENTS

CA	851479	9/1970
CH	655237	4/1986

(Continued)

OTHER PUBLICATIONS

US RE27,274, 01/1972, Mattingly (withdrawn)  
(Continued)

*Primary Examiner* — Cynthia Ramirez  
*Assistant Examiner* — Laura Yu  
(74) *Attorney, Agent, or Firm* — Dorsey & Whitney LLP

(57) **CLAIM**

I claim the ornamental design for a power supply cartridge, as shown and described.

**DESCRIPTION**

FIG. 1 is a rear isometric view of a power supply cartridge. FIG. 2 is a front isometric view of the power supply cartridge of FIG. 1. FIG. 3 is a rear elevation view of the power supply cartridge of FIG. 1. FIG. 4 is a front elevation view of the power supply cartridge of FIG. 1. FIG. 5 is a left side elevation view of the power supply cartridge of FIG. 1. FIG. 6 is a right side elevation view of the power supply cartridge of FIG. 1. FIG. 7 is a top plan view of the power supply cartridge of FIG. 1; and, FIG. 8 is a bottom plan view of the power supply cartridge of FIG. 1. The broken lines, which define the bounds of the claimed design, form no part of the claimed design.

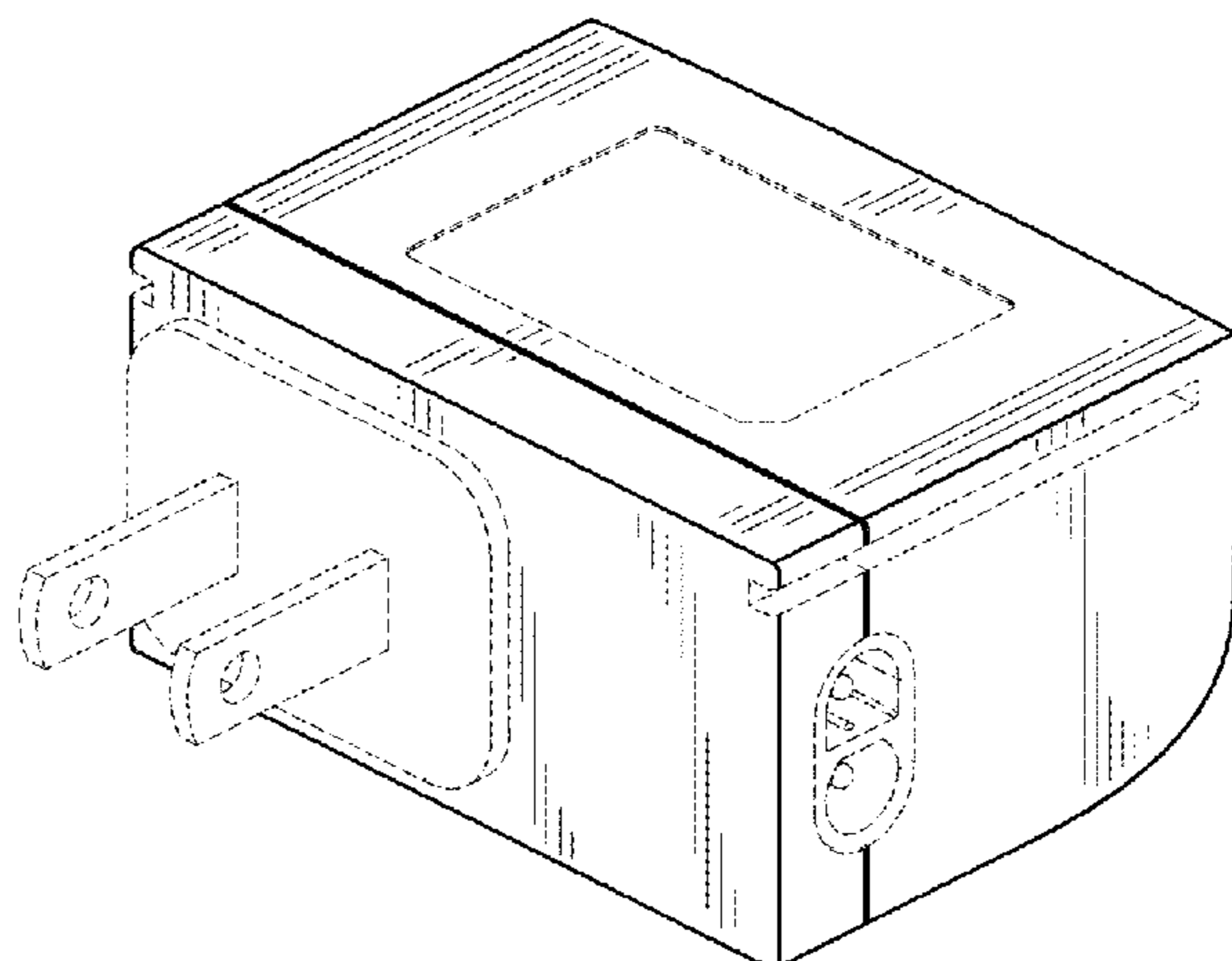
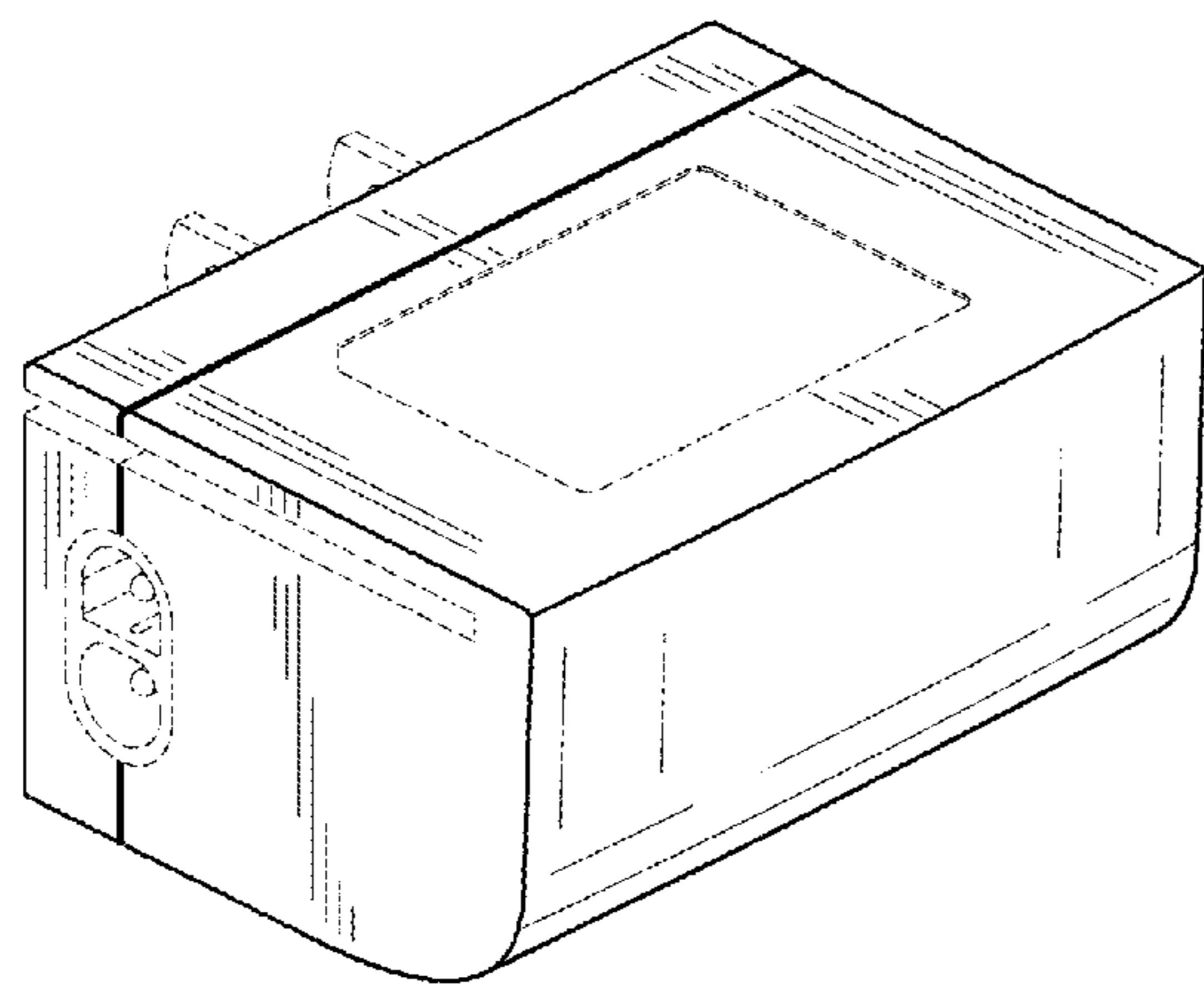
**1 Claim, 4 Drawing Sheets**

(56) **References Cited**

U.S. PATENT DOCUMENTS

555,588	A	3/1896	Spencer
1,278,225	A	9/1918	Schamberg
1,452,258	A	4/1923	Smith
1,464,419	A	8/1923	Gill
1,480,310	A	1/1924	Smith
1,498,267	A	6/1924	Hachman
1,650,686	A	11/1927	Binks
1,669,889	A	5/1928	Andrews et al.
1,681,320	A	8/1928	Bergl et al.
1,933,454	A	10/1933	Sidney
1,940,111	A	12/1933	Austin
D93,019	S	8/1934	Hose
1,977,782	A	10/1934	Roy
2,107,686	A	2/1938	Bramsen et al.
2,531,730	A	11/1950	Henderson
2,595,666	A	5/1952	Hutson
2,669,233	A	2/1954	Friend

(Continued)



(56)

## References Cited

## U.S. PATENT DOCUMENTS

2,709,227 A	5/1955	Foley et al.	3,912,125 A	10/1975	Acklin
2,783,919 A	3/1957	Ansell	3,943,628 A	3/1976	Kronman et al.
2,794,437 A	6/1957	Tash	3,959,883 A	6/1976	Walls et al.
2,870,932 A	1/1959	Davis	3,973,558 A	8/1976	Stouffer et al.
2,984,452 A	5/1961	Hooper	3,977,084 A	8/1976	Sloan
3,089,490 A	5/1963	Goldberg	4,001,526 A	1/1977	Olson
3,096,913 A	7/1963	Jousson	4,004,302 A	1/1977	Hori
3,144,867 A	8/1964	Trupp et al.	4,007,739 A	2/1977	Bron et al.
D202,041 S	8/1965	Burzlaff	4,013,227 A	3/1977	Herrera
3,209,956 A	10/1965	McKenzie	4,052,002 A	10/1977	Stouffer et al.
3,216,619 A	11/1965	Richards et al.	D246,667 S	12/1977	Mackay et al.
3,225,759 A	12/1965	Drapen et al.	4,060,870 A	12/1977	Cannarella
3,227,158 A	1/1966	Mattingly	4,075,761 A	2/1978	Behne et al.
3,266,623 A	8/1966	Poferl	4,078,558 A	3/1978	Woog et al.
3,297,558 A	1/1967	Hillquist	4,094,311 A	6/1978	Hudson
D208,778 S	10/1967	Koch	4,108,167 A	8/1978	Hickman et al.
D209,204 S	11/1967	St. Clair et al.	4,108,178 A	8/1978	Betush
D209,395 S	11/1967	Gilbert	4,109,650 A	8/1978	Peclard
D210,018 S	1/1968	Mattingly et al.	4,122,845 A	10/1978	Stouffer et al.
D210,019 S	1/1968	Johnson et al.	4,135,501 A	1/1979	Leunissan
3,370,214 A	2/1968	Aymar	4,141,352 A	2/1979	Ebner et al.
3,391,696 A	7/1968	Woodward	4,144,646 A	3/1979	Takemoto et al.
3,393,673 A	7/1968	Mattingly et al.	4,149,315 A	4/1979	Page, Jr. et al.
3,400,999 A	9/1968	Goldstein	4,154,375 A	5/1979	Bippus
3,418,552 A	12/1968	Holmes	4,160,383 A	7/1979	Rauschenberger
3,420,228 A	1/1969	Kalbfeld	4,171,572 A	10/1979	Nash
3,425,410 A	2/1969	Cammack	4,182,038 A	1/1980	Fleer
3,453,969 A	7/1969	Mattingly	4,200,235 A	4/1980	Monschke
3,465,751 A	9/1969	Powers	4,201,200 A	5/1980	Hubner
3,467,083 A	9/1969	Mattingly	4,215,476 A	8/1980	Armstrong
D215,920 S	11/1969	McCarty et al.	4,219,618 A	8/1980	Leonard
3,487,828 A	1/1970	Troy	4,227,878 A	10/1980	Lohn
3,489,268 A	1/1970	Meierhoefer	4,229,634 A	10/1980	Hickman et al.
3,495,587 A	2/1970	Freedman	4,236,889 A	12/1980	Wright
3,496,933 A	2/1970	Lloyd	4,248,589 A	2/1981	Lewis
3,499,440 A	3/1970	Gibbs	4,249,899 A	2/1981	Davis
3,500,824 A	3/1970	Gilbert	4,257,458 A	3/1981	Kondo et al.
3,501,203 A	3/1970	Falk	4,262,799 A	4/1981	Perrett
3,502,072 A	3/1970	Stillman	4,266,934 A	5/1981	Pernot
3,517,669 A	6/1970	Buono et al.	4,276,023 A	6/1981	Phillips et al.
D218,270 S	8/1970	Soper	4,276,880 A	7/1981	Malmin
3,522,801 A	8/1970	Robinson	4,302,186 A	11/1981	Cammack et al.
3,532,221 A	10/1970	Kaluhiokalani et al.	4,303,064 A	12/1981	Buffa
3,536,065 A	10/1970	Moret	4,303,070 A	12/1981	Ichikawa et al.
3,537,444 A	11/1970	Garn	4,306,862 A	12/1981	Knox
3,538,950 A	11/1970	Porteners	4,315,741 A	2/1982	Reichl
3,547,110 A	12/1970	Balamuth	4,319,568 A	3/1982	Tregoning
3,561,433 A	2/1971	Kovach	4,331,422 A	5/1982	Heyman
D220,334 S	3/1971	MacKay et al.	4,337,040 A	6/1982	Cammack et al.
3,570,525 A	3/1971	Borsum	4,340,365 A	7/1982	Pisanu
3,572,375 A	3/1971	Rosenberg	4,340,368 A	7/1982	Lococo
3,578,884 A	5/1971	Jacobson	D266,117 S	9/1982	Oberheim
3,583,609 A	6/1971	Oppenheimer	4,353,694 A	10/1982	Pelerin
3,590,813 A	7/1971	Roszyk	4,363,626 A	12/1982	Schmidt et al.
3,608,548 A	9/1971	Lewis	4,365,376 A	12/1982	Oda et al.
D222,862 S	1/1972	Cook	4,370,131 A	1/1983	Banko
3,636,947 A	1/1972	Balamuth	4,374,354 A	2/1983	Petrovic et al.
3,651,576 A	3/1972	Massa	4,382,167 A	5/1983	Maruyama et al.
3,669,101 A	6/1972	Kleiner	4,382,786 A	5/1983	Lohn
3,703,170 A	11/1972	Ryckman, Jr.	D270,000 S	8/1983	Ketler
3,747,595 A	7/1973	Grossan	4,412,823 A	11/1983	Sakai et al.
3,768,472 A	10/1973	Hodosh et al.	4,416,628 A	11/1983	Cammack
3,783,364 A	1/1974	Gallanis et al.	4,442,830 A	4/1984	Markau
3,809,506 A	5/1974	Malcosky	4,442,831 A	4/1984	Trenary
3,809,977 A	5/1974	Balamuth et al.	4,452,238 A	6/1984	Kerr
3,811,432 A	5/1974	Moret	4,454,866 A	6/1984	Fayen
3,820,532 A	6/1974	Eberhardt et al.	4,512,769 A	4/1985	Kozam et al.
3,827,147 A	8/1974	Condon	4,517,962 A	5/1985	Heckele
3,837,166 A	9/1974	Hiraoka	4,531,912 A	7/1985	Schuss et al.
3,840,795 A	10/1974	Roszyk et al.	4,531,913 A	7/1985	Taguchi
3,847,145 A	11/1974	Grossan	4,534,340 A	8/1985	Kerr et al.
3,854,209 A	12/1974	Franklin et al.	4,552,130 A	11/1985	Kinoshita
3,863,628 A	2/1975	Vit	4,561,214 A	12/1985	Inoue
3,871,560 A	3/1975	Crippa	D283,374 S	4/1986	Cheuk-Yiu
3,874,506 A	4/1975	Hill et al.	4,585,415 A	4/1986	Hommann
			4,591,777 A	5/1986	McCarty et al.
			4,592,728 A	6/1986	Davis
			4,602,906 A	7/1986	Grunenfelder
			4,607,627 A	8/1986	Leber et al.

(56)

## References Cited

## U.S. PATENT DOCUMENTS

4,613,074 A	9/1986	Schulze	5,064,168 A	11/1991	Raines et al.
4,619,009 A	10/1986	Rosenstatter	D322,314 S	12/1991	Ohbayashi
4,619,612 A	10/1986	Weber et al.	5,071,346 A	12/1991	Domaas
4,629,425 A	12/1986	Detsch	5,082,115 A	1/1992	Hutcheson
4,636,198 A	1/1987	Stade	5,082,443 A	1/1992	Lohn
4,642,037 A	2/1987	Fritchman	5,085,317 A	2/1992	Jensen et al.
4,644,937 A	2/1987	Hommann	5,086,756 A	2/1992	Powell
4,645,488 A	2/1987	Matukas	5,095,893 A	3/1992	Rawden, Jr.
4,647,831 A	3/1987	O'Malley et al.	5,098,291 A	3/1992	Curtis et al.
4,648,838 A	3/1987	Schlachter	5,098,676 A	3/1992	Brooks, Jr.
4,650,475 A	3/1987	Smith et al.	5,100,319 A	3/1992	Baum
4,655,198 A	4/1987	Hommann	5,117,871 A	6/1992	Gardner et al.
4,669,453 A	6/1987	Atkinson et al.	5,125,835 A	6/1992	Young
4,672,953 A	6/1987	DiVito	5,127,831 A	7/1992	Bab
4,673,396 A	6/1987	Urbaniak	5,142,723 A	9/1992	Lustig et al.
D291,354 S	8/1987	Camens	5,150,841 A	9/1992	Silvenis et al.
4,716,352 A	12/1987	Hurn et al.	5,172,810 A	12/1992	Brewer
4,749,340 A	6/1988	Ikeda et al.	5,173,273 A	12/1992	Brewer
4,770,632 A	9/1988	Ryder et al.	5,183,035 A	2/1993	Weir
4,783,321 A	11/1988	Spence	5,197,458 A	3/1993	Ito et al.
4,787,845 A	11/1988	Valentine	5,197,460 A	3/1993	Ito et al.
4,787,847 A	11/1988	Martin et al.	5,199,871 A	4/1993	Young
4,798,292 A	1/1989	Hauze	5,203,697 A	4/1993	Malmin
4,803,974 A	2/1989	Powell	5,203,769 A	4/1993	Clement et al.
4,804,364 A	2/1989	Dieras et al.	5,204,004 A	4/1993	Johnston et al.
4,818,229 A	4/1989	Vasile	5,208,933 A	5/1993	Lustig et al.
4,820,152 A	4/1989	Warrin et al.	5,215,193 A	6/1993	Dennis
4,821,923 A	4/1989	Skorka	5,218,956 A	6/1993	Handler et al.
4,824,368 A	4/1989	Hickman	5,220,914 A	6/1993	Thompson
4,826,431 A	5/1989	Fujimura et al.	5,228,646 A	7/1993	Raines
4,827,551 A	5/1989	Maser et al.	5,230,624 A	7/1993	Wolf et al.
4,832,683 A	5/1989	Idemoto et al.	5,232,687 A	8/1993	Geimer
4,854,869 A	8/1989	Lawhorn	5,235,968 A	8/1993	Woog
4,861,340 A	8/1989	Smith et al.	5,241,714 A	9/1993	Barry
4,862,876 A	9/1989	Lih-Sheng	5,246,367 A	9/1993	Ito et al.
4,869,720 A	9/1989	Chernack	5,252,064 A	10/1993	Baum et al.
4,880,382 A	11/1989	Moret et al.	D341,200 S	11/1993	Yoshimoto
4,886,452 A	12/1989	Lohn	5,257,933 A	11/1993	Jousson
4,900,252 A	2/1990	Liefke et al.	5,261,448 A	11/1993	Furuya et al.
4,902,225 A	2/1990	Lohn	D341,943 S	12/1993	Si-Hoe
4,903,687 A	2/1990	Lih-Sheng	5,267,586 A	12/1993	Jankavaara
4,906,187 A	3/1990	Amadera	5,269,684 A	12/1993	Fischer
4,907,744 A	3/1990	Jousson	5,281,137 A	1/1994	Jousson
4,925,450 A	5/1990	Imonti et al.	5,281,139 A	1/1994	Frank et al.
4,928,675 A	5/1990	Thornton	5,282,745 A	2/1994	Wiltrout et al.
4,930,660 A	6/1990	Porteous	5,286,192 A	2/1994	Dixon
4,941,459 A	7/1990	Mathur	5,286,201 A	2/1994	Yu
4,950,159 A	8/1990	Hansen	5,295,832 A	3/1994	Evans
4,958,629 A	9/1990	Peace et al.	5,297,962 A	3/1994	O'Connor et al.
4,958,751 A	9/1990	Curtis et al.	D346,212 S	4/1994	Hosl
4,959,199 A	9/1990	Brewer	5,301,381 A	4/1994	Klupt
4,961,698 A	10/1990	Vlock	5,302,123 A	4/1994	Bechard
4,966,551 A	10/1990	Betush	5,317,691 A	5/1994	Traeger
4,969,874 A	11/1990	Michel et al.	5,321,865 A	6/1994	Kaesar
4,973,246 A	11/1990	Black	5,331,704 A	7/1994	Rosen et al.
4,973,247 A	11/1990	Varnes et al.	5,344,317 A	9/1994	Pacher et al.
4,973,250 A	11/1990	Milman	5,346,677 A	9/1994	Risk
4,975,054 A	12/1990	Esrock	D351,892 S	10/1994	Wolf et al.
4,979,503 A	12/1990	Chernack	5,360,338 A	11/1994	Waggoner
4,979,504 A	12/1990	Mills	5,368,548 A	11/1994	Jousson
4,989,590 A	2/1991	Baum et al.	5,370,534 A	12/1994	Wolf et al.
4,998,880 A	3/1991	Nerli	D354,168 S	1/1995	Hartwein
5,013,241 A	5/1991	Von Gutfeld et al.	D354,559 S	1/1995	Knute
5,014,884 A	5/1991	Wunsch	5,378,149 A	1/1995	Stropko
5,019,054 A	5/1991	Clement et al.	5,380,201 A	1/1995	Kawata
5,027,798 A	7/1991	Primiano	D356,864 S	3/1995	Woog
5,029,576 A	7/1991	Evans, Sr.	5,399,089 A	3/1995	Eichman et al.
5,033,617 A	7/1991	Hartwein et al.	D358,883 S	5/1995	Vos
5,033,961 A	7/1991	Kandler et al.	5,456,672 A	10/1995	Diederich et al.
D318,918 S	8/1991	Hartwein	5,465,445 A	11/1995	Yeh
5,046,486 A	9/1991	Grulke et al.	5,467,495 A	11/1995	Boland et al.
5,049,071 A	9/1991	Davis et al.	5,468,148 A	11/1995	Ricks
5,060,825 A	10/1991	Palmer et al.	5,470,305 A	11/1995	Arnett et al.
5,061,180 A	10/1991	Wiele	5,474,450 A	12/1995	Chronister
5,062,795 A	11/1991	Woog	5,474,451 A	12/1995	Dalrymple et al.
			5,476,379 A	12/1995	Disel
			5,484,281 A	1/1996	Renow et al.
			5,487,877 A	1/1996	Choi
			5,490,779 A	2/1996	Malmin

(56)

References Cited

U.S. PATENT DOCUMENTS

5,505,916 A	4/1996	Berry, Jr.	6,200,134 B1	3/2001	Kovac
D369,656 S	5/1996	Vos	D439,781 S	4/2001	Spore
D370,125 S	5/1996	Craft et al.	6,217,835 B1	4/2001	Riley et al.
5,525,058 A	6/1996	Gallant et al.	D441,861 S	5/2001	Hafliger
5,526,841 A	6/1996	Detsch et al.	6,233,773 B1	5/2001	Karge et al.
5,540,587 A	7/1996	Malmin	6,234,205 B1	5/2001	D'Amelio et al.
5,547,374 A	8/1996	Coleman	6,237,178 B1	5/2001	Krammer et al.
D373,631 S	9/1996	Maeda et al.	6,247,929 B1	6/2001	Bachman et al.
5,554,014 A	9/1996	Becker	6,280,190 B1	8/2001	Hoffman
5,554,025 A	9/1996	Kinsel	D448,236 S	9/2001	Murray
5,556,001 A	9/1996	Weissman et al.	6,293,792 B1	9/2001	Hanson
5,564,629 A	10/1996	Weissman et al.	D449,884 S	10/2001	Tobin et al.
D377,091 S	12/1996	Scott, Sr.	D453,453 S	2/2002	Lun
5,613,259 A	3/1997	Craft et al.	6,363,565 B1	4/2002	Paffrath
5,616,028 A	4/1997	Hafele et al.	D457,949 S	5/2002	Krug
5,626,472 A	5/1997	Pennetta	D464,799 S	10/2002	Crossman et al.
5,634,791 A	6/1997	Matsuura et al.	6,468,482 B1	10/2002	Frieze et al.
5,636,987 A	6/1997	Serfaty	6,475,173 B1	11/2002	Bachman et al.
5,640,735 A	6/1997	Manning	6,485,451 B1	11/2002	Roberts et al.
D382,407 S	8/1997	Craft et al.	6,497,375 B1	12/2002	Srinath et al.
5,653,591 A	8/1997	Loge	6,497,572 B2	12/2002	Hood et al.
5,659,995 A	8/1997	Hoffman	6,502,584 B1	1/2003	Fordham
5,667,483 A	9/1997	Santos	D470,660 S	2/2003	Schaber
D386,576 S	11/1997	Wang et al.	6,558,344 B2	5/2003	McKinnon et al.
5,683,192 A	11/1997	Kilfoil	6,561,808 B2	5/2003	Neuberger et al.
5,685,829 A	11/1997	Allen	D475,346 S	6/2003	McCurrach et al.
5,685,851 A	11/1997	Murphy et al.	D476,743 S	7/2003	D'Silva
5,697,784 A	12/1997	Hafele et al.	6,589,477 B1	7/2003	Frieze et al.
D388,612 S	1/1998	Stutzer et al.	6,602,071 B1	8/2003	Ellion et al.
D388,613 S	1/1998	Stutzer et al.	6,632,091 B1	10/2003	Cise et al.
5,709,545 A	1/1998	Johnston et al.	D482,451 S	11/2003	Page et al.
5,716,007 A	2/1998	Nottingham et al.	6,640,999 B2	11/2003	Peterson
5,718,668 A	2/1998	Arnett et al.	6,647,577 B2	11/2003	Tam
5,746,595 A	5/1998	Ford	6,659,674 B2	12/2003	Carlucci et al.
5,749,726 A	5/1998	Kinsel	6,669,059 B2	12/2003	Mehta
5,759,502 A	6/1998	Spencer et al.	D484,971 S	1/2004	Hartwein
5,779,471 A	7/1998	Tseng et al.	6,681,418 B1	1/2004	Bierend
5,779,654 A	7/1998	Foley et al.	D486,573 S	2/2004	Callaghan et al.
5,795,153 A	8/1998	Rechmann	6,689,078 B1	2/2004	Rehkemper et al.
5,796,325 A	8/1998	Lundell et al.	6,699,208 B2	3/2004	Bachman et al.
5,833,065 A	11/1998	Burgess	6,719,561 B2	4/2004	Gugel et al.
5,836,030 A	11/1998	Hazeu et al.	D489,183 S	5/2004	Akahori et al.
D402,744 S	12/1998	Zuege	6,739,782 B1	5/2004	Rehkemper et al.
5,851,079 A	12/1998	Horstman et al.	6,740,053 B2	5/2004	Kaplowitz
D403,511 S	1/1999	Serbinski	D490,899 S	6/2004	Gagnon
D406,334 S	3/1999	Rosenthal et al.	D491,728 S	6/2004	Jimenez
5,876,201 A	3/1999	Wilson et al.	D492,996 S	7/2004	Rehkemper et al.
D408,511 S	4/1999	Allen et al.	6,761,324 B2	7/2004	Chang
5,901,397 A	5/1999	Häfele et al.	6,766,549 B2	7/2004	Klupt
5,934,902 A	8/1999	Abahusayn	D495,142 S	8/2004	Berde
D413,975 S	9/1999	Maeda	D495,143 S	8/2004	Berde
D416,999 S	11/1999	Miyamoto	6,779,216 B2	8/2004	Davies et al.
D417,082 S	11/1999	Classen et al.	6,783,004 B1	8/2004	Rinner
5,993,402 A	11/1999	Sauer et al.	6,783,505 B1	8/2004	Lai
6,030,215 A	2/2000	Ellion et al.	6,796,796 B2	9/2004	Segal
6,038,960 A	3/2000	Fukushima et al.	D498,643 S	11/2004	Pryor
6,039,180 A	3/2000	Grant	6,814,259 B1	11/2004	Foster et al.
6,047,429 A	4/2000	Wu	D499,885 S	12/2004	Xi
D425,615 S	5/2000	Bachman et al.	6,835,181 B2	12/2004	Hippensteel
D425,981 S	5/2000	Bachman et al.	D500,599 S	1/2005	Callaghan
6,056,710 A	5/2000	Bachman et al.	6,837,708 B2	1/2005	Chen et al.
D426,633 S	6/2000	Bachman et al.	6,884,069 B2	4/2005	Goldman
6,089,865 A	7/2000	Edgar	6,902,337 B1	6/2005	Kuo
6,116,866 A	9/2000	Tomita et al.	6,907,879 B2	6/2005	Drinan et al.
6,120,755 A	9/2000	Jacobs	D509,585 S	9/2005	Kling et al.
6,124,699 A	9/2000	Suzuki et al.	D513,638 S	1/2006	Pan
D432,497 S	* 10/2000	Totsuka ..... D13/110	D515,215 S	2/2006	Wang
D434,500 S	11/2000	Pollock et al.	D522,652 S	6/2006	Massey
6,159,006 A	12/2000	Cook et al.	7,080,980 B2	7/2006	Klupt
6,164,967 A	12/2000	Sale et al.	D529,661 S	10/2006	Schmidt
D435,905 S	1/2001	Bachman et al.	D530,010 S	10/2006	Luetzgen et al.
D437,049 S	1/2001	Hartwein	7,117,555 B2	10/2006	Fattori et al.
6,193,512 B1	2/2001	Wallace	7,131,838 B2	11/2006	Suzuki et al.
6,193,932 B1	2/2001	Wu et al.	D533,720 S	12/2006	Vu
6,199,239 B1	3/2001	Dickerson	D538,474 S	3/2007	Sheppard et al.
			D548,334 S	8/2007	Izumi
			D550,097 S	9/2007	Lepoitevin
			7,276,035 B2	10/2007	Lu
			7,314,456 B2	1/2008	Shaw

(56)

References Cited

U.S. PATENT DOCUMENTS

D565,175 S	3/2008	Boyd et al.	D754,330 S	4/2016	Kim et al.
7,344,510 B1	3/2008	Yande	D756,122 S	5/2016	Taylor
D565,713 S	4/2008	Gao	D764,051 S	8/2016	Wang
7,367,803 B2	5/2008	Egeresi	D766,423 S	9/2016	Kim et al.
D572,712 S *	7/2008	Ledbetter ..... D13/110	D772,396 S	11/2016	Kim et al.
D573,946 S *	7/2008	Ledbetter ..... D13/110	D772,397 S	11/2016	Kim et al.
D574,952 S	8/2008	Boyd et al.	D774,651 S	12/2016	Kaib
D577,198 S	9/2008	Jimenez	D776,253 S	1/2017	Li
D577,814 S	9/2008	Seki et al.	D782,326 S	3/2017	Fath
D581,279 S	11/2008	Oates	D782,656 S	3/2017	Au
7,455,521 B2	11/2008	Fishburne, Jr.	2002/0090252 A1	7/2002	Hall et al.
7,469,440 B2	12/2008	Boland et al.	2002/0108193 A1	8/2002	Gruber
D585,132 S	1/2009	Pukall	2002/0119415 A1	8/2002	Bailey
D588,262 S	3/2009	Pukall	2002/0152565 A1	10/2002	Klupt
7,500,584 B2	3/2009	Schutz	2003/0060743 A1	3/2003	Chang
D590,492 S	4/2009	Powell	2003/0098249 A1	5/2003	Rollock
D592,748 S	5/2009	Boulton	2003/0204155 A1	10/2003	Egeresi
D595,136 S	6/2009	Canamasas Puigbo	2003/0213075 A1	11/2003	Hui et al.
D601,694 S	10/2009	Rocklin	2004/0045107 A1	3/2004	Egeresi
D601,697 S	10/2009	Sobeich et al.	2004/0076921 A1	4/2004	Gofman et al.
D603,708 S	11/2009	Handy	2004/0122377 A1	6/2004	Fischer et al.
7,670,141 B2	3/2010	Thomas et al.	2004/0126730 A1	7/2004	Panagotacos
7,677,888 B1	3/2010	Halm	2004/0209222 A1	10/2004	Snyder
D613,550 S	4/2010	Picozza et al.	2005/0049620 A1	3/2005	Chang
D621,949 S	8/2010	Seki et al.	2005/0064371 A1	3/2005	Soukos et al.
D623,376 S	9/2010	Griebel	2005/0101894 A1	5/2005	Hippensteel
D625,406 S	10/2010	Seki et al.	2005/0102773 A1	5/2005	Obermann et al.
7,814,585 B1	10/2010	Reich	2005/0144745 A1	7/2005	Russell
D626,647 S	11/2010	Amborn	2005/0177079 A1	8/2005	Pan
D629,884 S	12/2010	Stephens	2005/0271531 A1	12/2005	Brown et al.
7,857,623 B2	12/2010	Grez	2006/0008373 A1	1/2006	Schutz
7,862,536 B2	1/2011	Chen et al.	2006/0010624 A1	1/2006	Cleland
7,959,597 B2	6/2011	Baker et al.	2006/0026784 A1	2/2006	Moskovich et al.
D640,872 S	7/2011	Nanda	2006/0057539 A1	3/2006	Sodo
D648,539 S	11/2011	Wai	2006/0078844 A1	4/2006	Goldman et al.
D651,409 S	1/2012	Papenfu	2006/0079818 A1	4/2006	Yande
D651,805 S	1/2012	Hay	2007/0082316 A1	4/2007	Zhadanov et al.
D653,340 S	1/2012	Goerge et al.	2007/0082317 A1	4/2007	Chuang
8,113,832 B2	2/2012	Snyder et al.	2007/0113360 A1	5/2007	Tsai
D655,380 S	3/2012	Taylor	2007/0202459 A1	8/2007	Boyd et al.
D658,381 S	5/2012	Gebbski	2007/0203439 A1	8/2007	Boyd et al.
D660,795 S *	5/2012	Wen ..... D13/110	2007/0254260 A1	11/2007	Alden
8,220,726 B2	7/2012	Qiu et al.	2008/0189951 A1	8/2008	Molema et al.
D666,912 S	9/2012	Kawai	2008/0213719 A1	9/2008	Giniger et al.
8,256,979 B2	9/2012	Hilscher et al.	2009/0070949 A1	3/2009	Sagel et al.
D668,339 S	10/2012	Luoto	2009/0082706 A1	3/2009	Shaw
D669,169 S	10/2012	Washington et al.	2009/0124945 A1	5/2009	Reich et al.
8,297,534 B2	10/2012	Li et al.	2009/0163839 A1	6/2009	Alexander
D670,373 S	11/2012	Taylor et al.	2009/0281454 A1	11/2009	Baker et al.
D670,958 S	11/2012	Picozza et al.	2010/0010524 A1	1/2010	Barrington
D671,637 S	11/2012	Gebbski et al.	2010/0015566 A1	1/2010	Shaw
8,366,024 B2	2/2013	Leber et al.	2010/0190132 A1	7/2010	Taylor et al.
8,403,577 B2	3/2013	Khoshnevis	2010/0239998 A1	9/2010	Snyder et al.
8,403,665 B2	3/2013	Thomas et al.	2010/0261134 A1	10/2010	Boyd et al.
8,408,483 B2	4/2013	Boyd et al.	2010/0261137 A1	10/2010	Boyd et al.
D686,311 S	7/2013	Mori	2010/0326536 A1	12/2010	Nan
D689,819 S *	9/2013	Olsson ..... D13/110	2010/0330527 A1	12/2010	Boyd et al.
D694,398 S	11/2013	Taylor	2011/0027749 A1	2/2011	Syed
D699,675 S *	2/2014	Jacobs ..... H04R 27/00 D13/110	2011/0076090 A1	3/2011	Wu et al.
D700,343 S	2/2014	Liu	2011/0097683 A1	4/2011	Boyd et al.
D707,350 S	6/2014	Woodard	2011/0139826 A1	6/2011	Hair et al.
D709,183 S	7/2014	Kemlein	2011/0144588 A1	6/2011	Taylor et al.
D714,929 S	10/2014	Kim et al.	2011/0184341 A1	7/2011	Baker et al.
D714,930 S	10/2014	Kim et al.	2011/0307039 A1	12/2011	Cornell
D717,427 S	11/2014	Kim	2012/0021374 A1	1/2012	Cacka et al.
D718,855 S	12/2014	Kim et al.	2012/0045730 A1	2/2012	Snyder et al.
D720,692 S *	1/2015	Matsuoka ..... D13/110	2012/0064480 A1	3/2012	Hegemann
D721,328 S *	1/2015	Freeman ..... D13/110	2012/0077145 A1	3/2012	Tsurukawa
D725,770 S	3/2015	Kim et al.	2012/0141952 A1	6/2012	Snyder et al.
D731,640 S	6/2015	Kim et al.	2012/0179118 A1	7/2012	Hair
D740,936 S	10/2015	Kim et al.	2012/0189976 A1	7/2012	McDonough et al.
D745,423 S	12/2015	Khattak	2012/0266396 A1	10/2012	Leung
D746,975 S	1/2016	Schenck	2012/0277677 A1	11/2012	Taylor et al.
D747,464 S	1/2016	Taylor	2012/0277678 A1	11/2012	Taylor et al.
			2012/0295220 A1	11/2012	Thomas et al.
			2013/0295520 A1	11/2013	Hsieh
			2014/0106296 A1	4/2014	Woodard et al.
			2014/0193774 A1	7/2014	Snyder et al.
			2014/0259474 A1	9/2014	Sokol et al.

(56)

References Cited

U.S. PATENT DOCUMENTS

2014/0272769	A1	9/2014	Luetzgen et al.
2014/0272782	A1	9/2014	Luetzgen et al.
2014/0352088	A1	12/2014	Wu
2015/0004559	A1	1/2015	Luetzgen et al.
2015/0147717	A1	5/2015	Taylor et al.
2015/0173850	A1	6/2015	Garrigues et al.
2015/0182319	A1	7/2015	Wagner et al.
2016/0100921	A1	4/2016	Ungar
2016/0151133	A1	6/2016	Luetzgen et al.

FOREIGN PATENT DOCUMENTS

DE	1466963	5/1969
DE	2409752	9/1975
DE	2545936	4/1977
DE	2714876	10/1978
DE	2910982	2/1980
EP	0023672	7/1980
EP	0515983	2/1992
FR	2556954	6/1985
FR	2654627	5/1991
GB	1182031	2/1970
GB	2018605	10/1979
JP	2-134150	5/1990
JP	2009-39455	2/2009
WO	WO95/016404	6/1995
WO	WO01/10327	2/2001
WO	WO04/021958	3/2004
WO	WO04/039205	5/2004
WO	WO2004/060259	7/2004
WO	WO2008/157585	12/2008
WO	WO2013/124691	8/2013

OTHER PUBLICATIONS

Output Voltage posted by Brother posted date Oct. 14, 2013, © Amazon, [online], [site visited Aug. 28, 2017]. Available from Internet, [https://www.amazon.com/Brother-Output-Voltage-Labeler-BRTADE001/dp/B00FW6COR4/ref=sr\\_1\\_2?ie=UTF8&qid=1503979790&sr=8-2&keywords=Brother+ADE001+AC+Power+Adapter.\\*](https://www.amazon.com/Brother-Output-Voltage-Labeler-BRTADE001/dp/B00FW6COR4/ref=sr_1_2?ie=UTF8&qid=1503979790&sr=8-2&keywords=Brother+ADE001+AC+Power+Adapter.*)

Yamaha Adaptor posted by Yamaha posted date Sep. 16, 2013, © Amazon, [online], [site visited Aug. 28, 2017]. Available from Internet, [https://www.amazon.com/Yamaha-PA130-Keyboard-Power-Adaptor/dp/B000WS1QC6.\\*](https://www.amazon.com/Yamaha-PA130-Keyboard-Power-Adaptor/dp/B000WS1QC6.*)

The Right Tool, Electron Fusion Devices, Inc., 2 pages, at least as early as Feb. 1991.

Japanese Packaging, 2 pages, at least as early as Dec. 2002.

Japanese Instruction Brochure, 20 pages, at least as early as Dec. 2002.

Brochure: Woog International, "You have a 98% chance of getting gum disease. Unless you read this.", Lancaster, Pennsylvania, 5 pages, Feb. 1987.

Brochure: Woog International, "We put the control of home dental care back into the hands of the professional", Lancaster, Pennsylvania, 2 pages, Feb. 1987.

Brochure: Woog International, "Products at a Glance: Home Dental Care System" Woog Orajet, 3 pages, at least as early as Dec. 18, 1998.

Website: [http://www.just4teeth.com/product/Panasonic/Panasonic\\_Portable\\_Irrigator.htm](http://www.just4teeth.com/product/Panasonic/Panasonic_Portable_Irrigator.htm), 2 pages, at least as early as Jun. 20, 2003.

Website: [http://www.videodirectstore.com/store/merchant.mv?Screen=PROD&Product\\_Code=EW1'...](http://www.videodirectstore.com/store/merchant.mv?Screen=PROD&Product_Code=EW1'...), 2 pages, at least as early as Jun. 20, 2003.

Website: <http://products.consumerguide.com/cp/family/review/index.cfm/id/18742>, 2 pages, at least as early as Jun. 20, 2003.

Website: <http://www.racekarteng.com/images/walbroparts.gif> and <http://www.muller.net/mullermachine/docs/walbro1.html>, 4 pages, at least as early as Jun. 20, 2003.

European Search Report, EPO Application No. 07250799.9, dated Jul. 5, 2007.

European Search Report, EPO Application No. 07252693.2, 14 pages, dated Apr. 28, 2008.

European Examination Report, EPO Application No. 07250799.9, dated Feb. 5, 2009.

International Search Report, Application No. PCT/US2010/028180, 2 pages, dated May 18, 2010.

International Search Report, PCT/US2010/060800, 2 pages, dated Feb. 11, 2011.

International Search Report, PCT/US2011/052795, 10 pages, dated Jan. 17, 2012.

Waterpik SinuSense Website: <http://www.insightsbyapril.com/2012/03/waterpik-natural-remedy-for-sinus.html>, 8 pages, retrieved on Mar. 31, 2012.

Website: <https://www.waterpik.com/about-us/>, 3 pages.

Waterpik WP350W Oral Irrigator. Dentist.net. Copyright date 2013. Date accessed: Mar. 30, 2017, 2 pages.

iPik Portable Oral Irrigator. AliExpress. Date reviewed: Oct. 5, 2016. [https://www.aliexpress.com/...e-Oral-Care-Product-Nasal-Irrigator-Tooth-Flosser-Water/1525541997.html?aff\\_platform=aaf&cpt=1490913714609&sk=yfAeyJa&aff\\_trace\\_key=c5a300c4f02e46d08c042f5292e1762f-1490913714609-07517-yfAeyJa](https://www.aliexpress.com/...e-Oral-Care-Product-Nasal-Irrigator-Tooth-Flosser-Water/1525541997.html?aff_platform=aaf&cpt=1490913714609&sk=yfAeyJa&aff_trace_key=c5a300c4f02e46d08c042f5292e1762f-1490913714609-07517-yfAeyJa), 18 pages.

Brite Leafs Professional Portable 2-in-1 Nasal Sinus & Oral Irrigator. Brite Leafs. Copyright date 2012, <http://www.briteleafs.com/product6.html>, 1 page.

\* cited by examiner

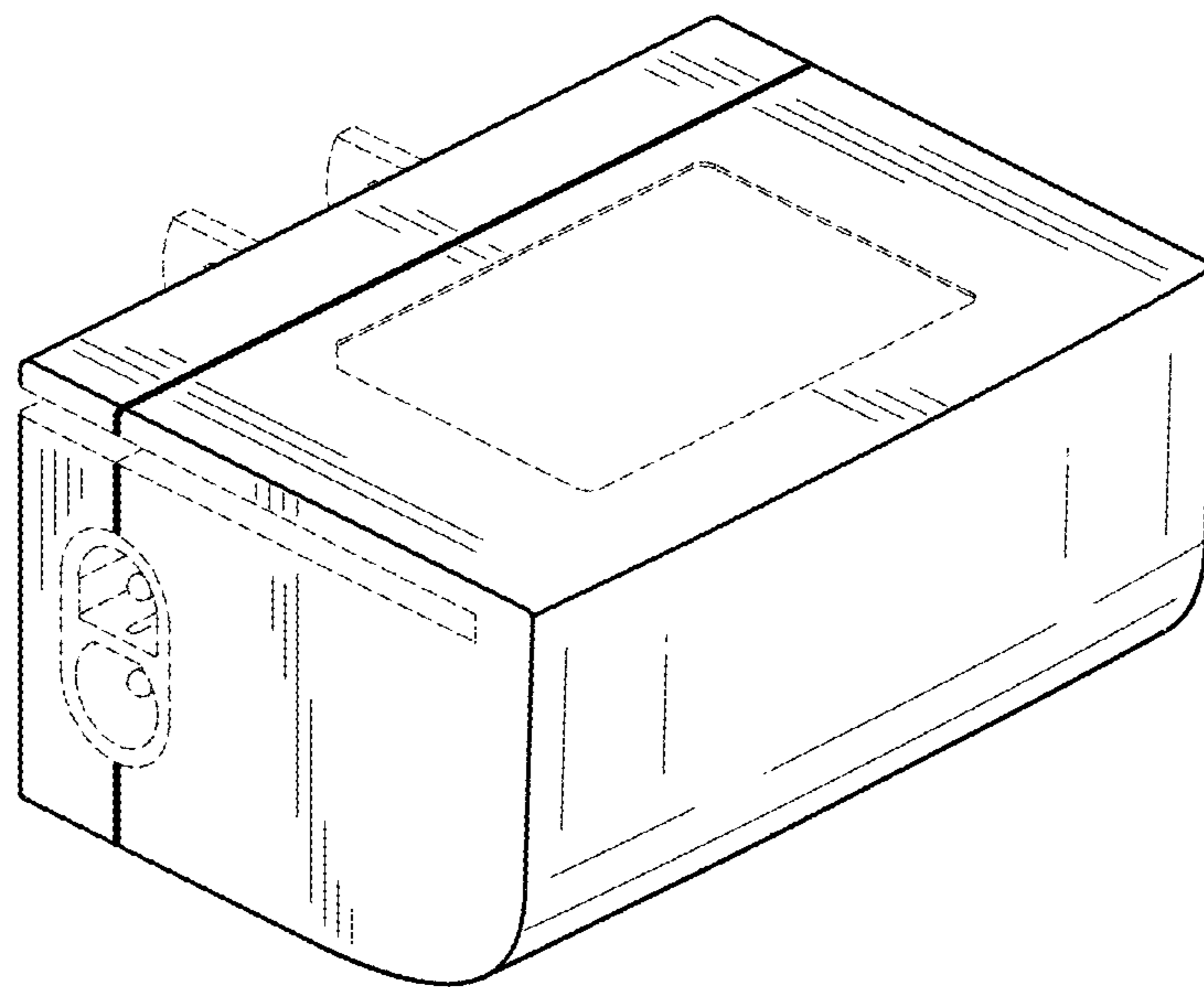


FIG. 1

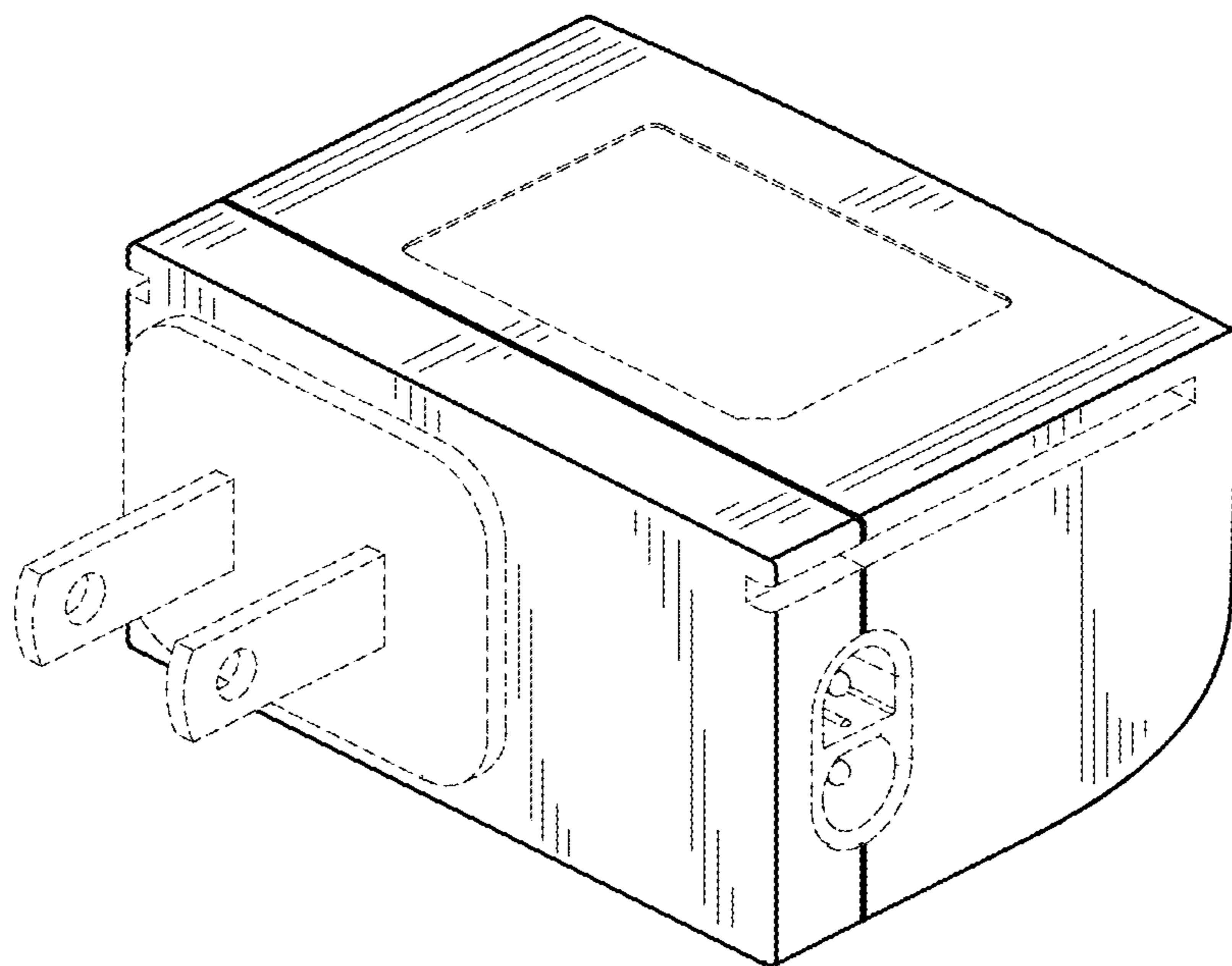


FIG. 2

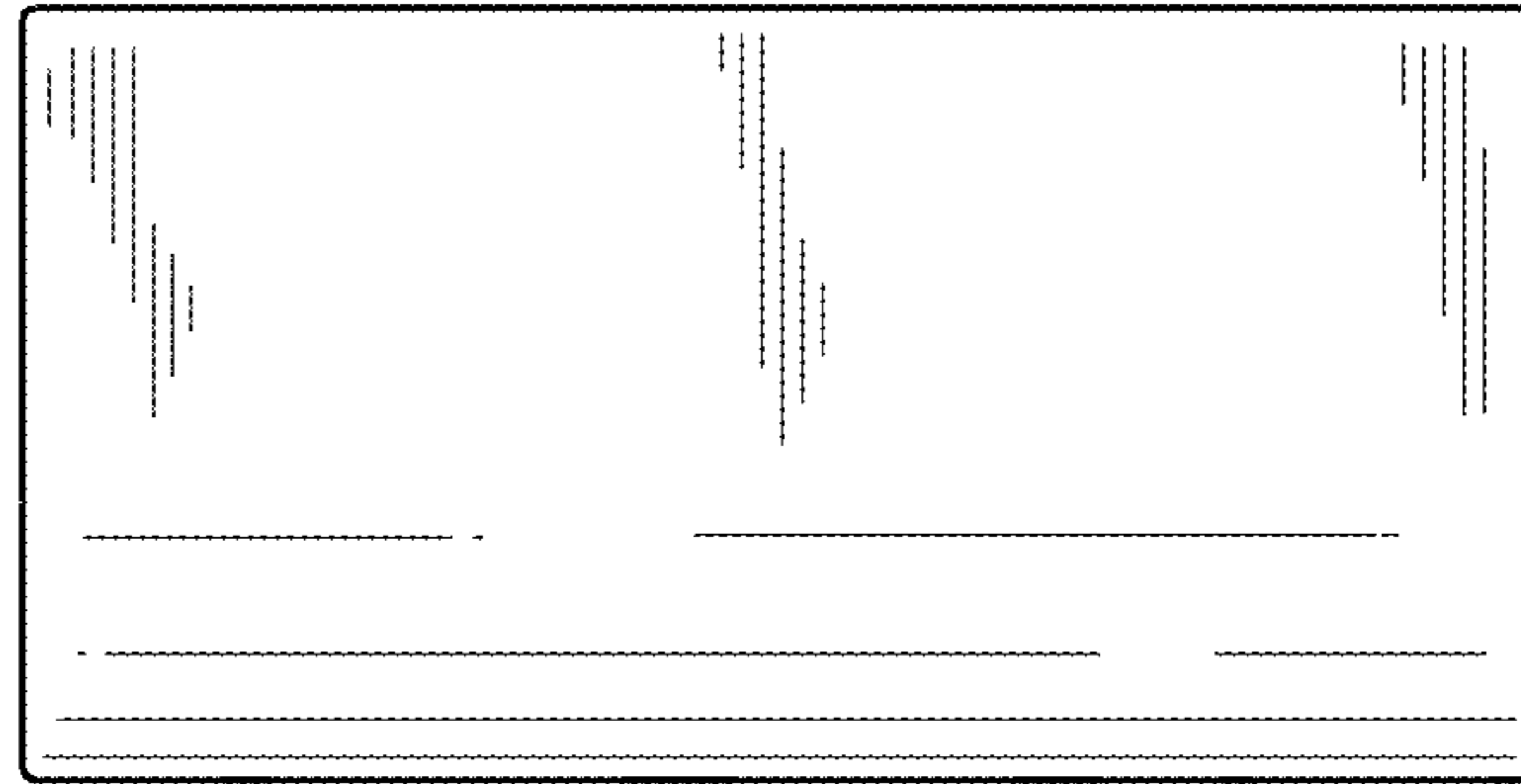


FIG. 3

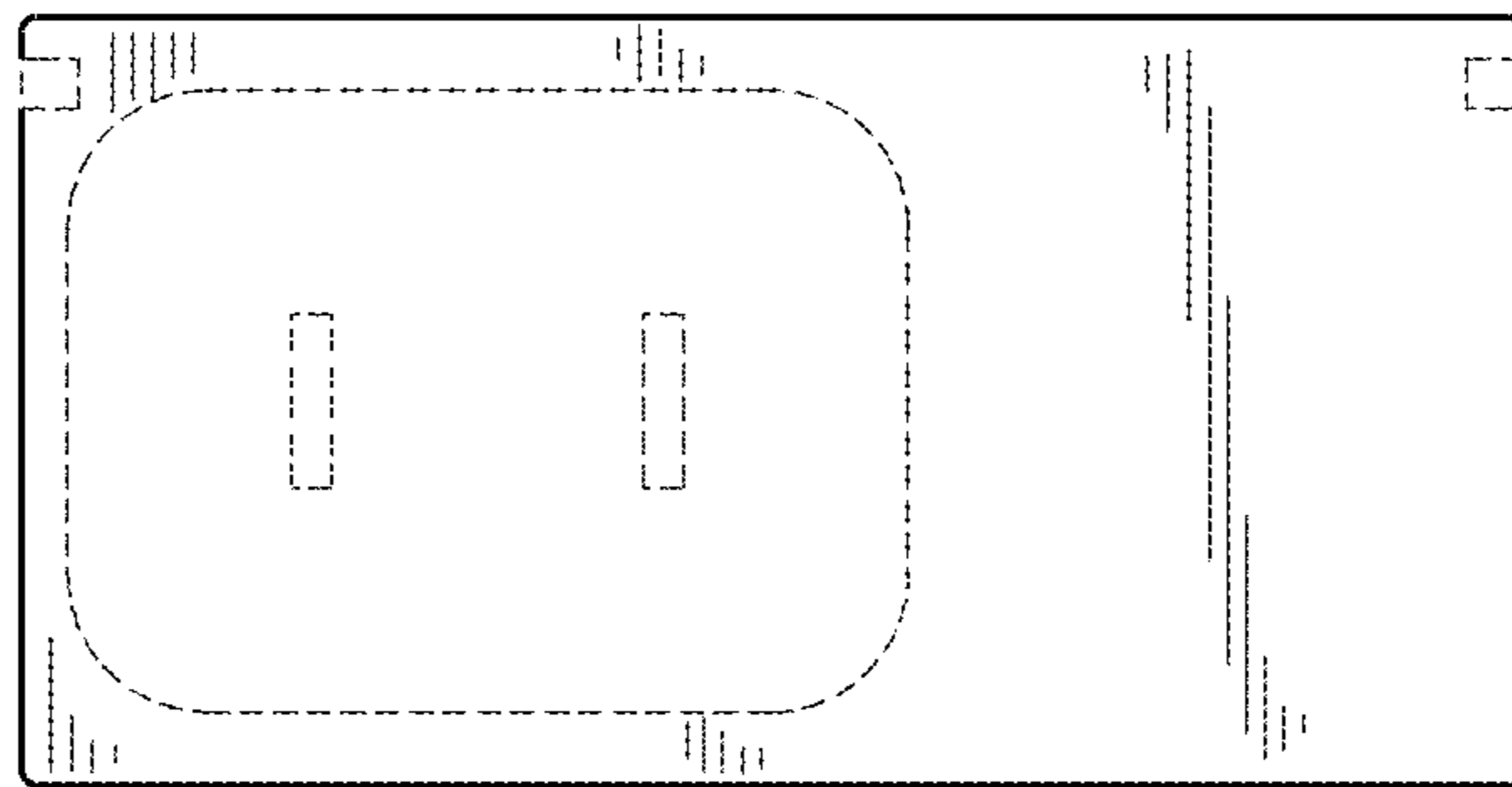


FIG. 4



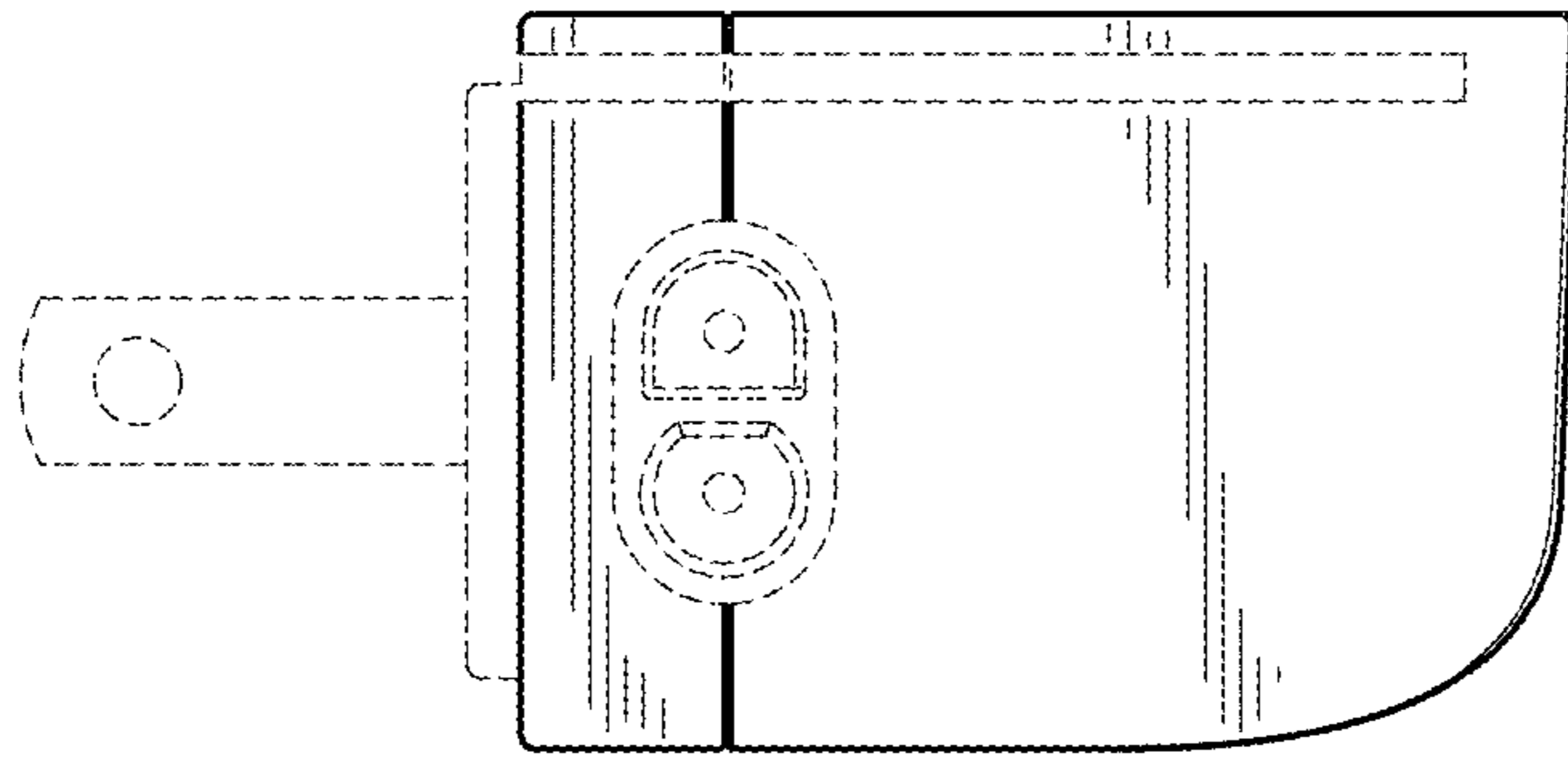


FIG. 5

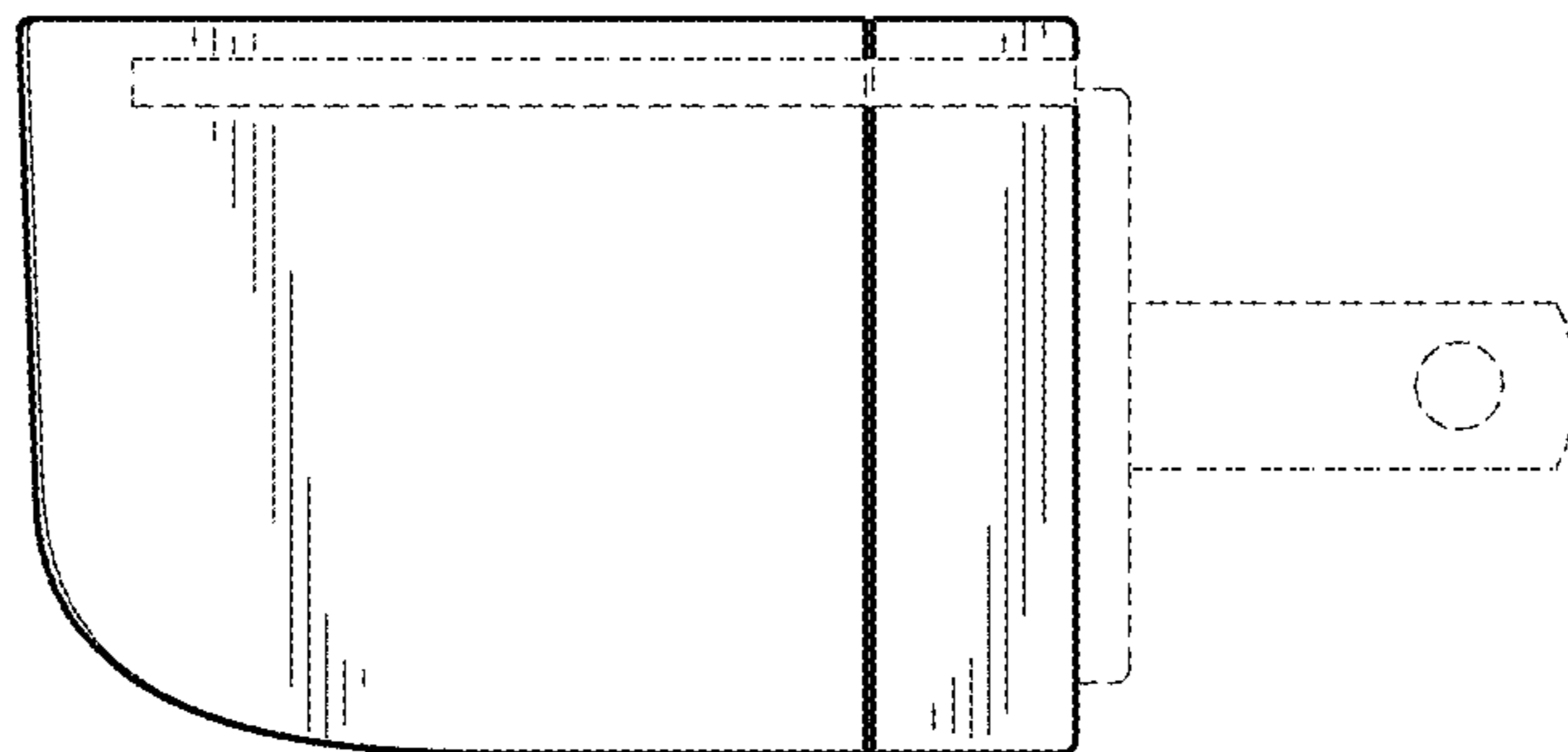


FIG. 6

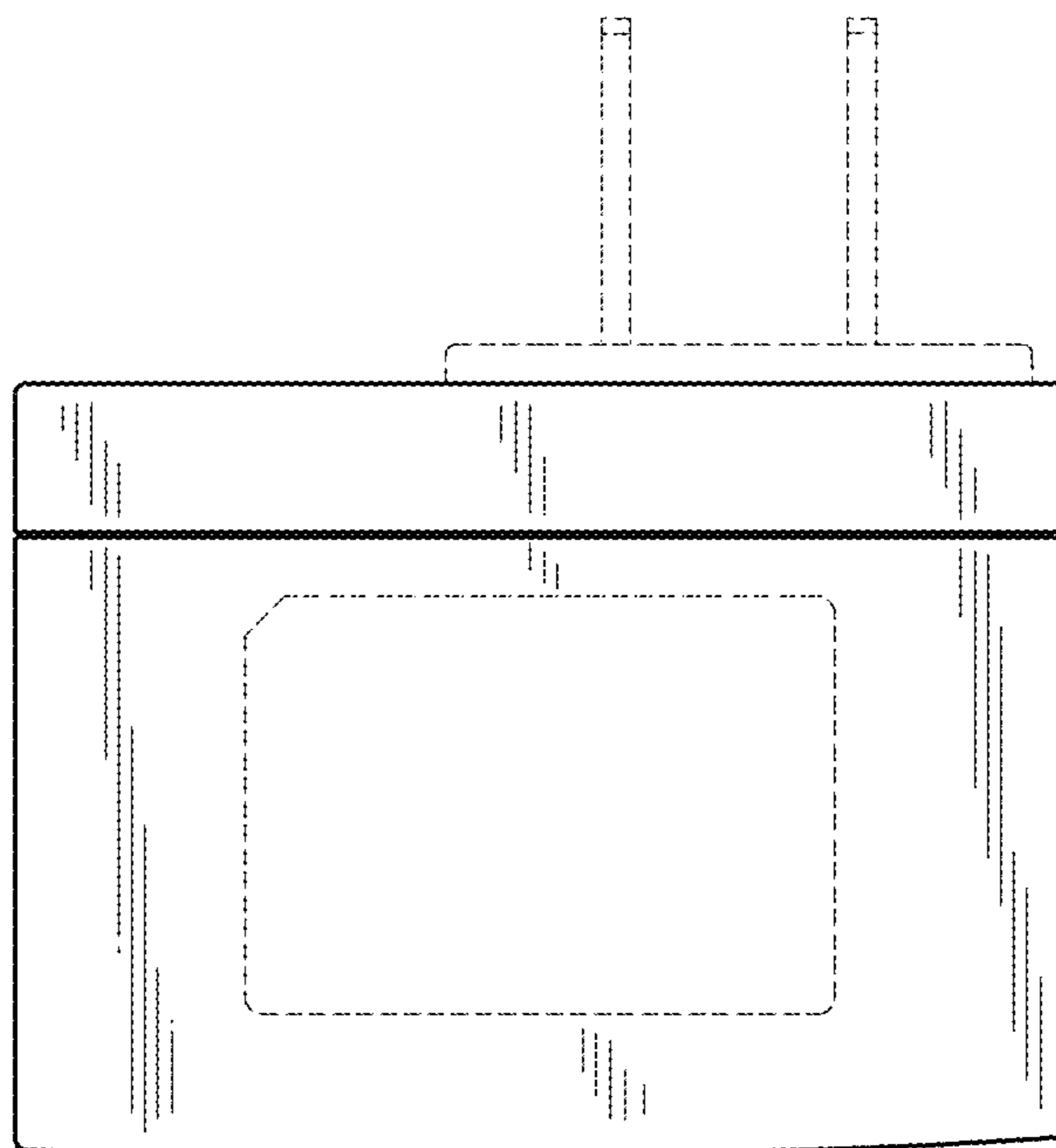


FIG. 7

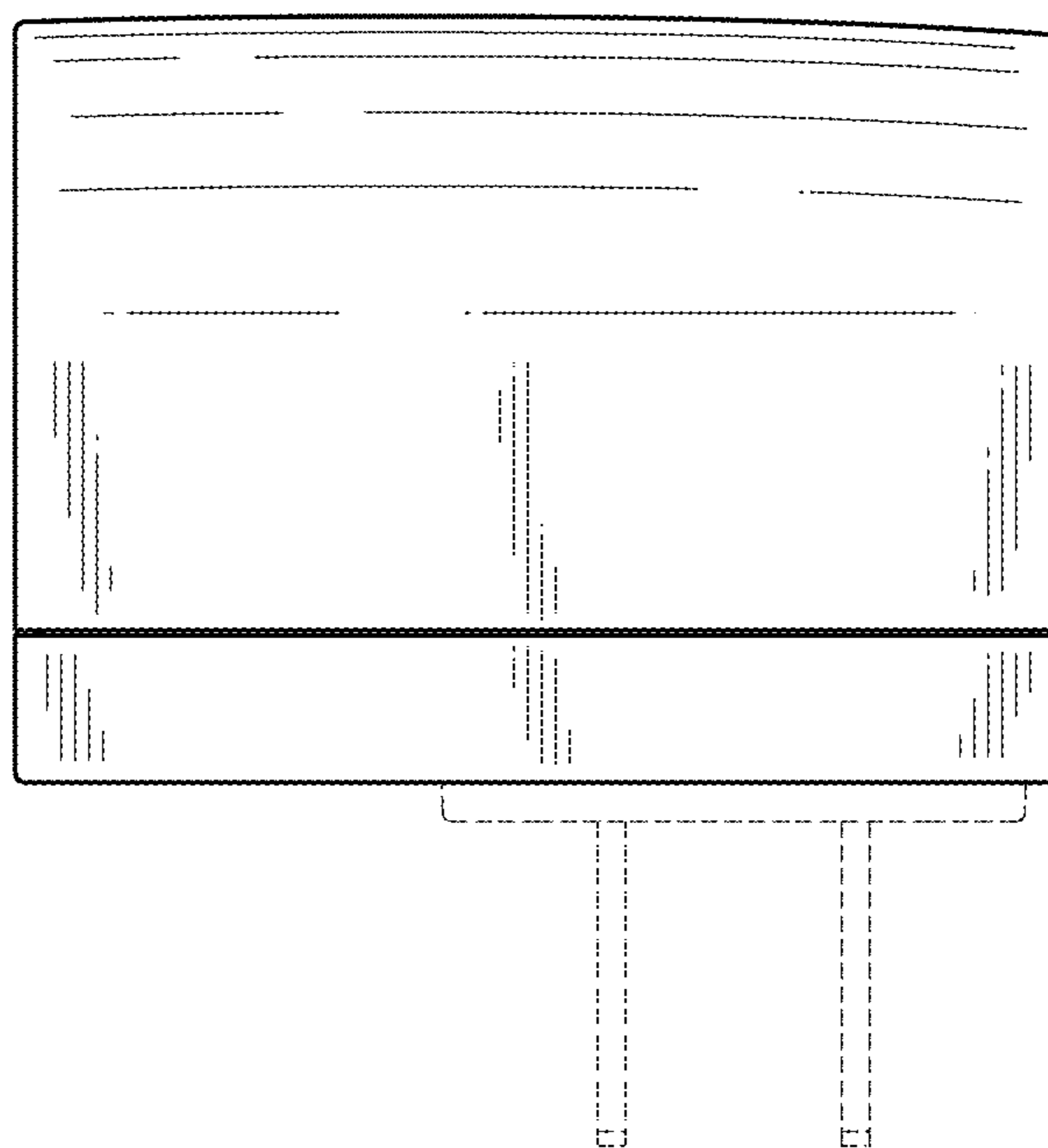


FIG. 8