

US00D807818S

(12) **United States Design Patent** (10) **Patent No.:** **US D807,818 S**
Mathias et al. (45) **Date of Patent:** **** Jan. 16, 2018**

(54) **DOCKING STATION FOR ELECTRONIC CIGARETTE**

(71) Applicant: **Nicoventures Holdings Limited**,
London (GB)

(72) Inventors: **Yann Mathias**, London (GB); **Boris Thuery**, London (GB); **Marjorie Artieres**, London (GB)

(73) Assignee: **NICOVENTURES HOLDINGS LIMITED**, London (GB)

(**) Term: **15 Years**

(21) Appl. No.: **29/557,898**

(22) Filed: **Mar. 14, 2016**

(30) **Foreign Application Priority Data**

Sep. 15, 2015 (EM) 002773093

(51) **LOC (11) Cl.** **13-02**

(52) **U.S. Cl.**
USPC **D13/107**

(58) **Field of Classification Search**

USPC D13/102–110, 118–119, 184, 199;
D14/356, 432, 251, 253, 434, 250;
D27/172, 193, 194; D3/201, 218, 269,
D3/301, 273, 303
CPC Y02E 60/12; Y02E 60/122; Y02E 60/124;
Y02E 60/50; Y02E 60/10; H01M 2/02;
H01M 2/022; H01M 2/0202; H01M
2/0207; H01M 2/0212; H01M 2/1061;
H01M

(Continued)

(56) **References Cited**

U.S. PATENT DOCUMENTS

4,993,435 A * 2/1991 McCann A24F 13/00
131/175

D347,490 S 5/1994 Gee et al.

(Continued)

FOREIGN PATENT DOCUMENTS

CN 302919353 8/2014
CN 303162040 4/2015
CN 303234670 6/2015

OTHER PUBLICATIONS

Russian Decision to Grant for Russian Application No. 2016500889 dated Nov. 2, 2016.

(Continued)

Primary Examiner — Rosemary K Tarcza

Assistant Examiner — Christy Nemeth

(74) *Attorney, Agent, or Firm* — Patterson Thuent Pedersen, P.A.

(57) **CLAIM**

The ornamental design for a docking station for electronic cigarette, as shown and described.

DESCRIPTION

FIG. 1 is a perspective view of a docking station for electronic cigarette.

FIG. 2 is a front view of the docking station for electronic cigarette.

FIG. 3 is a back view of the docking station for electronic cigarette.

FIG. 4 is a right side view of the docking station for electronic cigarette.

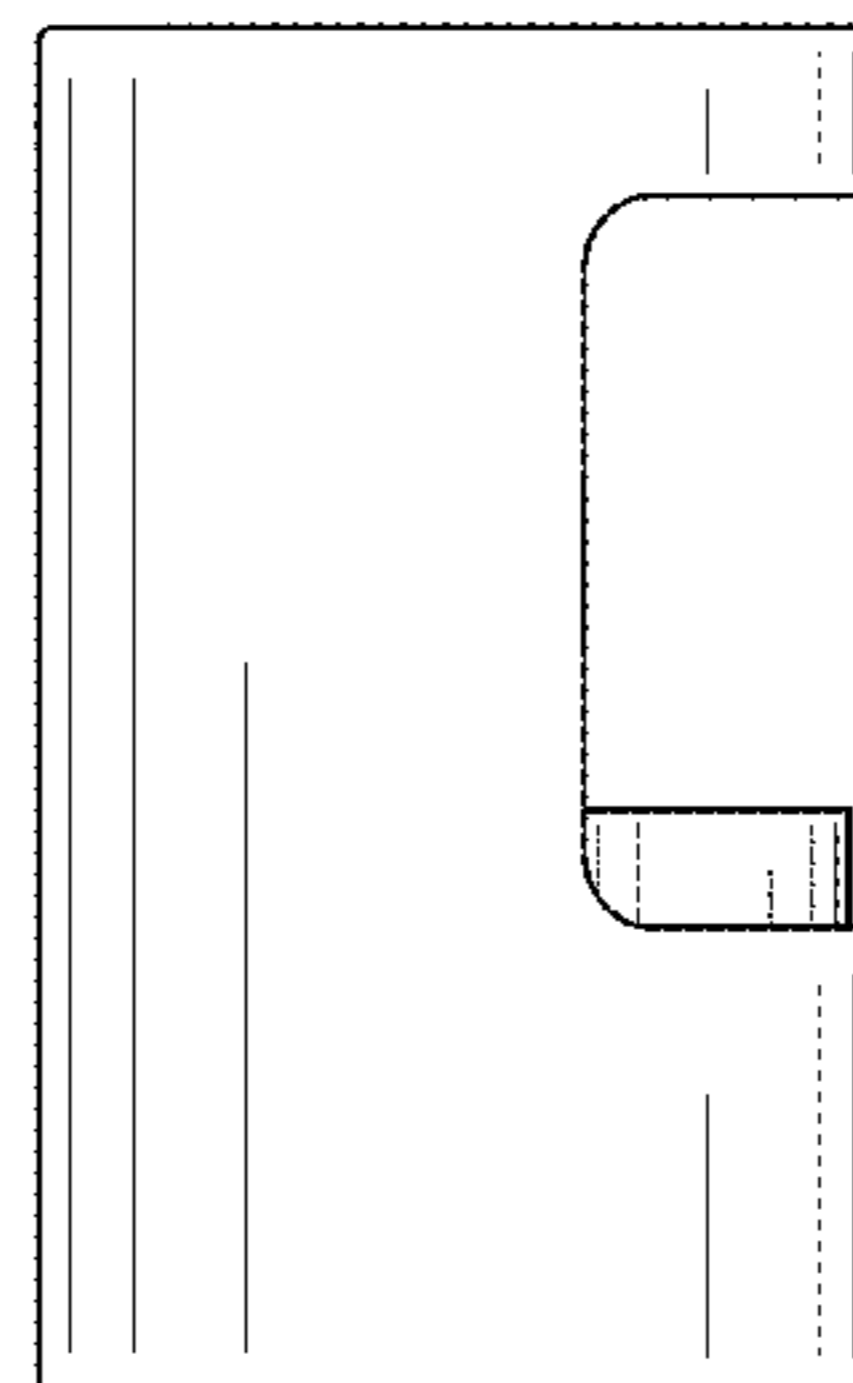
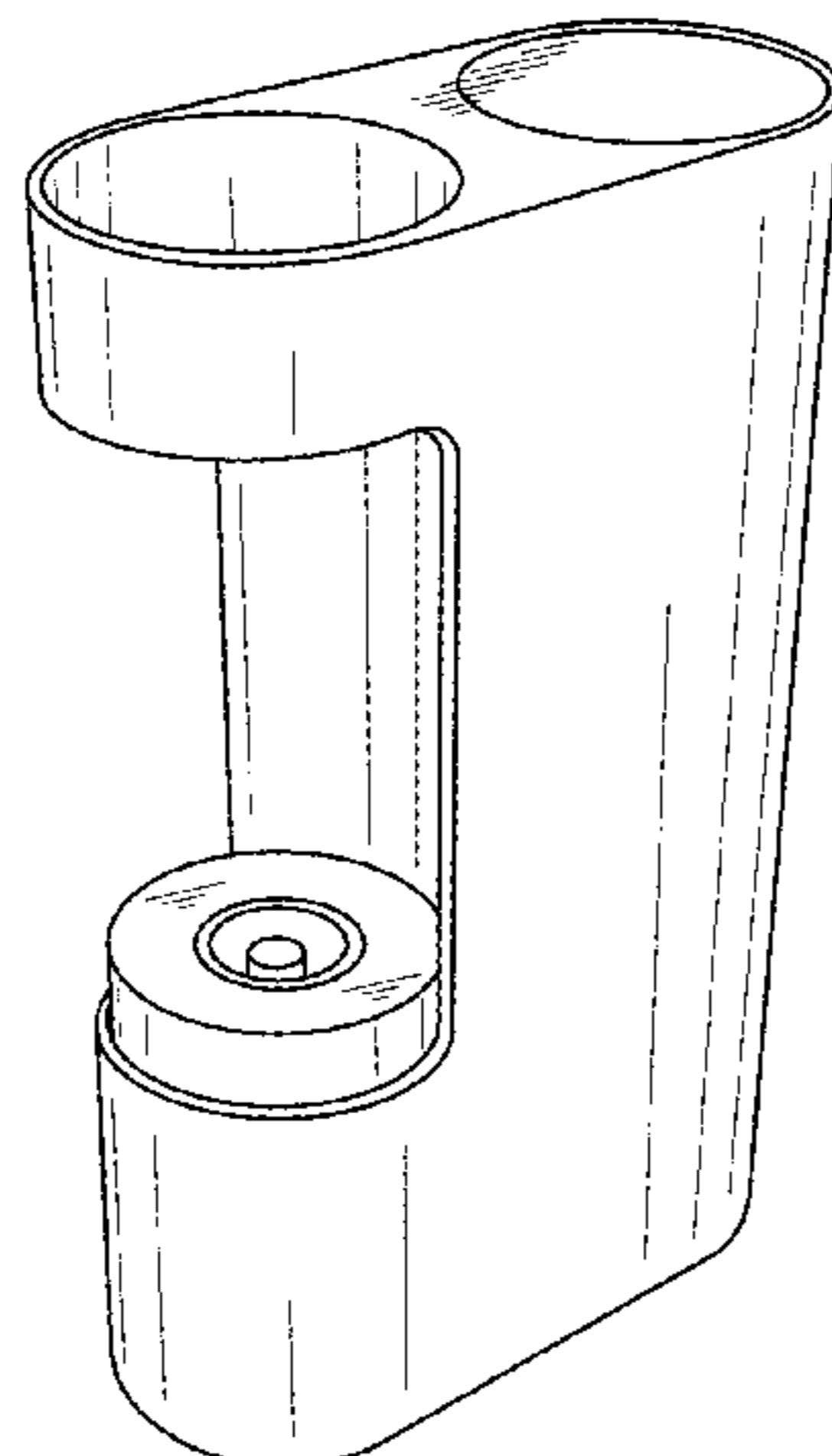
FIG. 5 is a left side view of the docking station for electronic cigarette.

FIG. 6 is a top view of the docking station for electronic cigarette; and,

FIG. 7 is a bottom view of the docking station for electronic cigarette.

Broken lines in the drawings are for purposes of illustrating portions of the docking station for electronic cigarette that form no part of the claimed design.

1 Claim, 3 Drawing Sheets



(58) **Field of Classification Search**

CPC 2/1022; H01M 2/1055; H01M 2/1066;
 H01M 2/105; H01M 2/204; H01M 2/20;
 H01M 2/202; H01M 2/206; H01M 10/44;
 H01M 10/46; H01M 10/465; H01M
 10/482; H01M 10/4257; H01M 10/0436;
 H01M 10/48; H01M 10/425; H01M
 2200/30; H01M 2250/30; H01M 2250/40;
 H02J 7/00; H02J 7/0003; H02J 7/0011;
 H02J 7/0013; H02J 7/0054; H02J 7/0055;
 H02J 7/0057; H02J 7/025; H02J 7/0042;
 H02J 7/0044; H02J 7/0045; H02J
 2007/0062; H02J 7/0052; H01F 38/14;
 H01R 13/6675; H04M 1/04; H04M
 1/0262; H04M 1/0283; H04M 1/185;
 A24F 9/14; A24F 47/008

See application file for complete search history.

D773,114	S	11/2016	Leidel et al.
D773,116	S	11/2016	Liu et al.
D775,414	S	12/2016	Ampolini et al.
D775,762	S	1/2017	Chen
D776,867	S	1/2017	Rado
D776,868	S	1/2017	Rado
2013/0180533	A1	7/2013	Kim et al.
2014/0014125	A1	1/2014	Fernando et al.
2014/0283824	A1	9/2014	Wheelock et al.
2014/0360514	A1	12/2014	Zhu
2015/0136124	A1	5/2015	Aronie et al.
2015/0257444	A1	9/2015	Chung
2015/0257446	A1	9/2015	Chung
2015/0335073	A1	11/2015	Li et al.
2016/0000145	A1	1/2016	Liu
2016/0113327	A1	4/2016	Wu
2016/0121058	A1	5/2016	Chen
2016/0144458	A1	5/2016	Boldrini
2016/0165955	A1	6/2016	Horne
2016/0190838	A1*	6/2016	Webb H02J 7/0044 320/115

(56)

References Cited

U.S. PATENT DOCUMENTS

D368,552	S	4/1996	Adams	
D422,113	S	3/2000	Higgins et al.	
D617,942	S *	6/2010	LoRe	D27/172
D649,708	S	11/2011	Oneil	
D651,337	S *	12/2011	Bryman	D27/172
8,689,804	B2	4/2014	Fernando et al.	
8,881,738	B2	11/2014	Bryman	
D720,499	S	12/2014	Alima	
D724,264	S	3/2015	Chambers	
D728,855	S	5/2015	Liu	
D729,440	S	5/2015	Liu	
D753,336	S	4/2016	Chen	
D758,656	S	6/2016	Freshwater et al.	
D761,999	S	7/2016	Liu	
D764,406	S *	8/2016	Uchida	D13/108
D768,331	S	10/2016	Chen	
D769,520	S	10/2016	Hua	
D771,307	S	11/2016	Wu	
D771,309	S	11/2016	Ward et al.	
D771,867	S	11/2016	Leidel et al.	

2016/0213866	A1	7/2016	Tan
2016/0219935	A1	8/2016	Qiu
2016/0227837	A1	8/2016	Hammel et al.
2016/0271347	A1	9/2016	Raichman
2016/0295920	A1	10/2016	Liu
2016/0338413	A1	11/2016	Li et al.
2016/0353800	A1	12/2016	Di Carlo
2016/0366946	A1	12/2016	Murison et al.
2017/0013881	A1	1/2017	Liu

OTHER PUBLICATIONS

Russian Decision to Grant for Russian Application No. 2016500890 dated Jan. 9, 2017.
 Russian Decision to Grant for Russian Application No. 2016502052 dated Jan. 9, 2017.
 Application and File History for Design U.S. Appl. No. 29/557,895, filed Mar. 14, 2016, inventors Mathias et al.
 Application and File History for Design U.S. Appl. No. 29/557,899, filed Mar. 14, 2016, inventors Mathias et al.
 Application and File History for Design U.S. Appl. No. 29/557,901, filed Mar. 14, 2016, inventors Mathias et al.

* cited by examiner

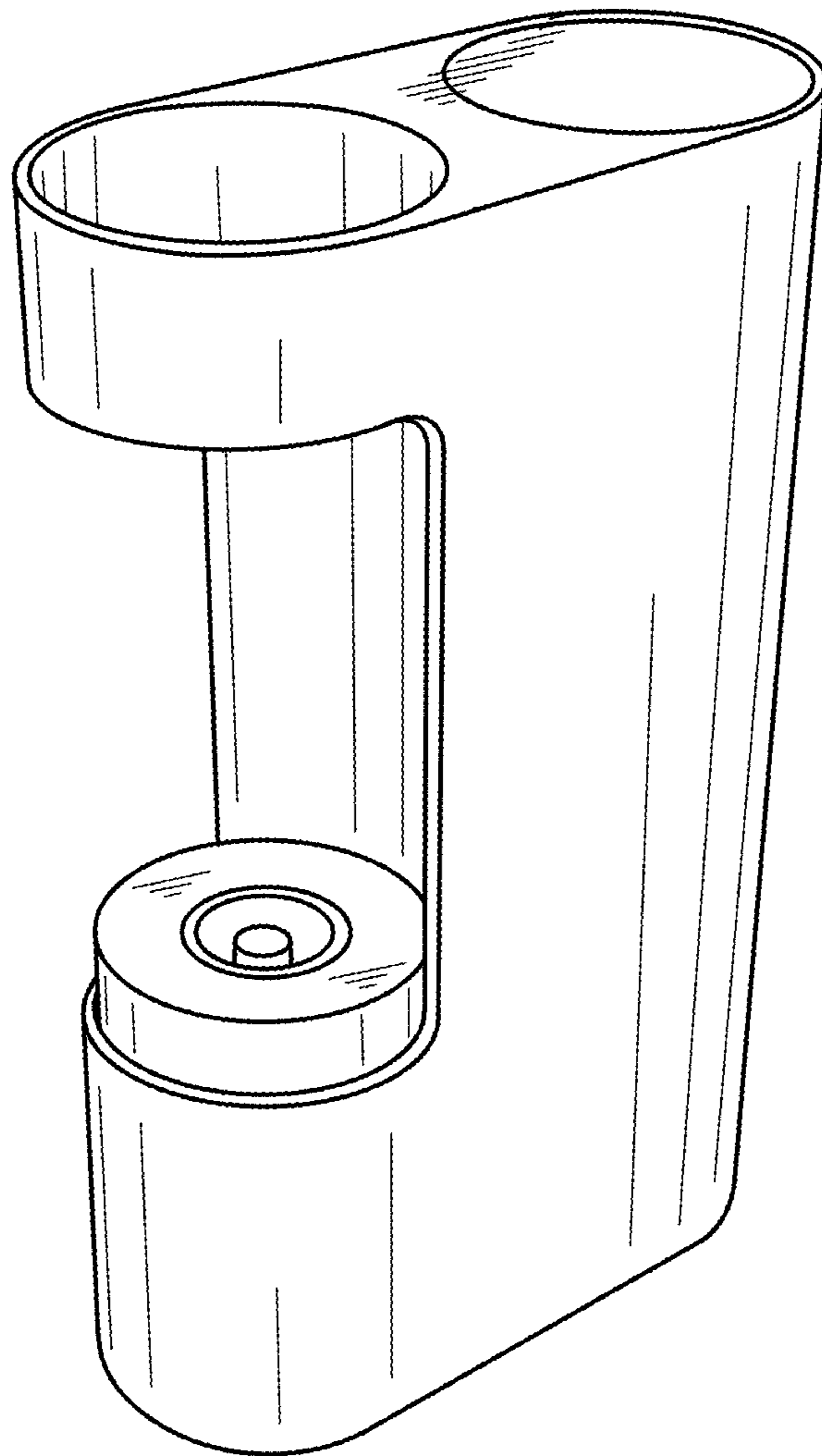


FIG. 1

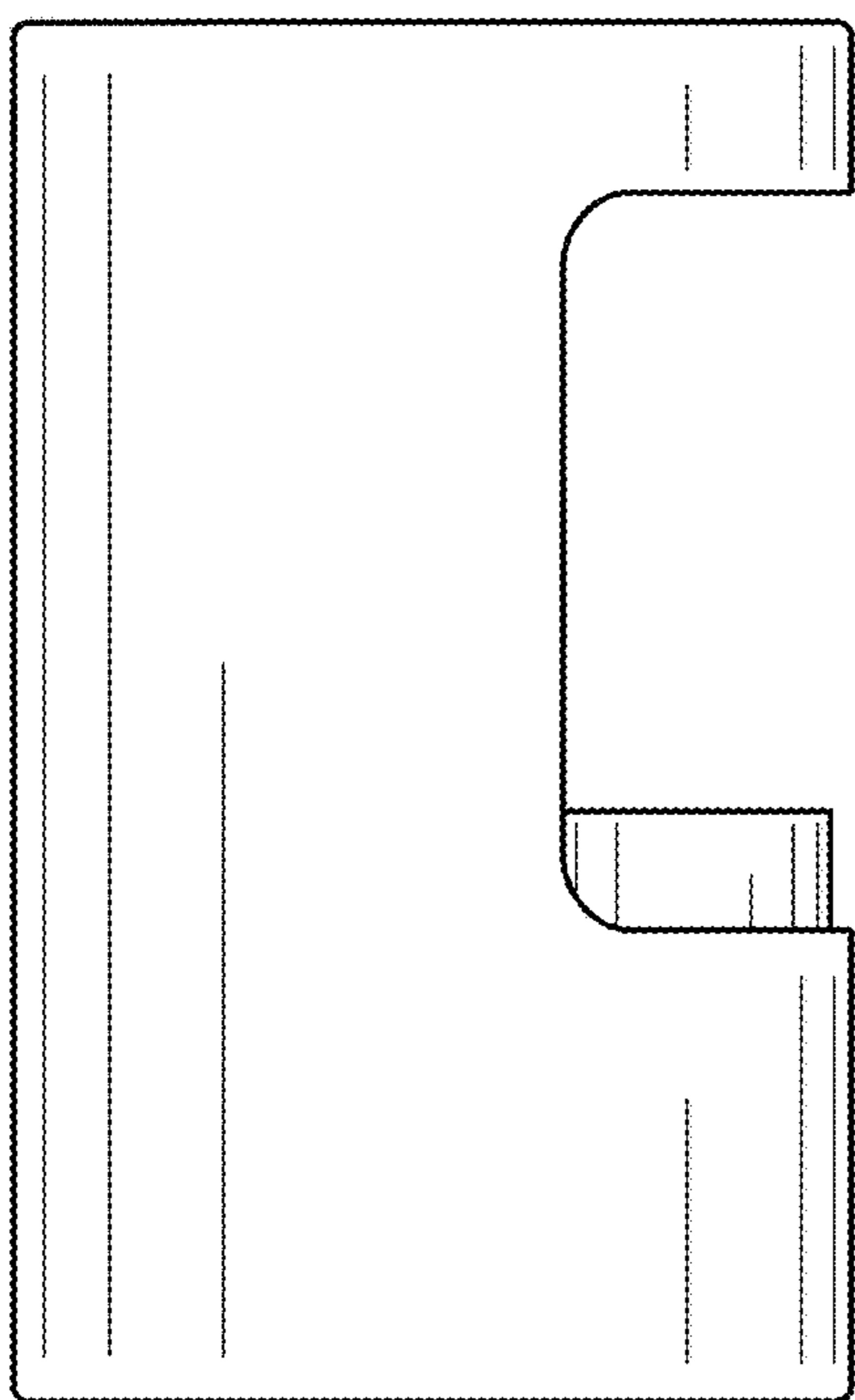


FIG. 2

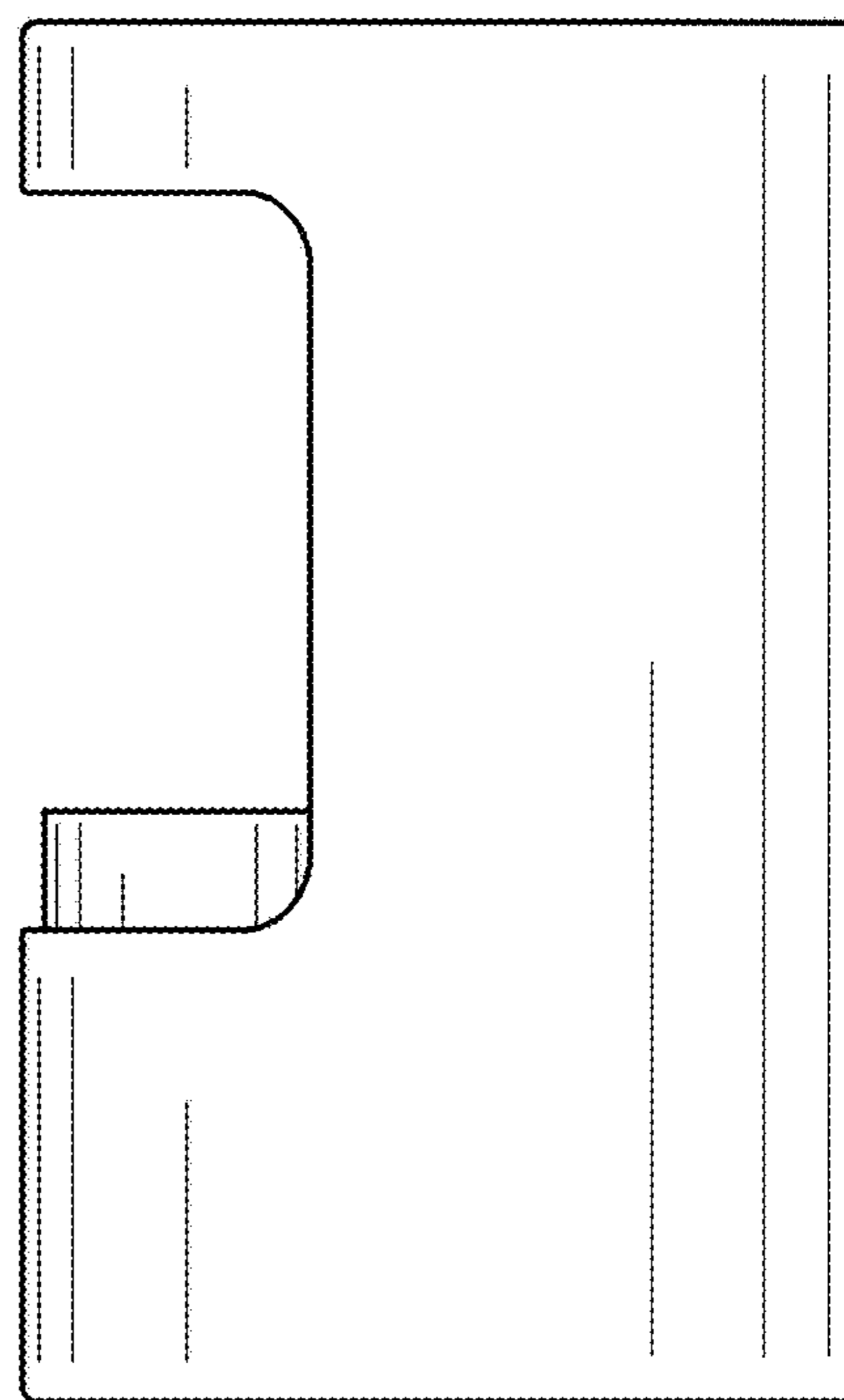


FIG. 3

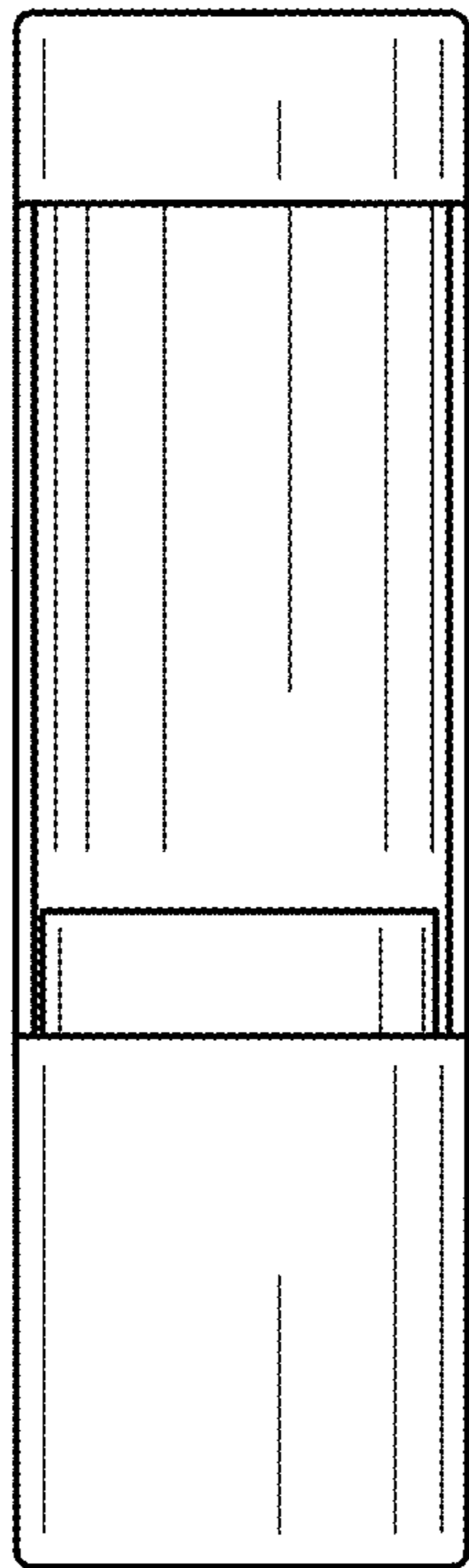


FIG. 4

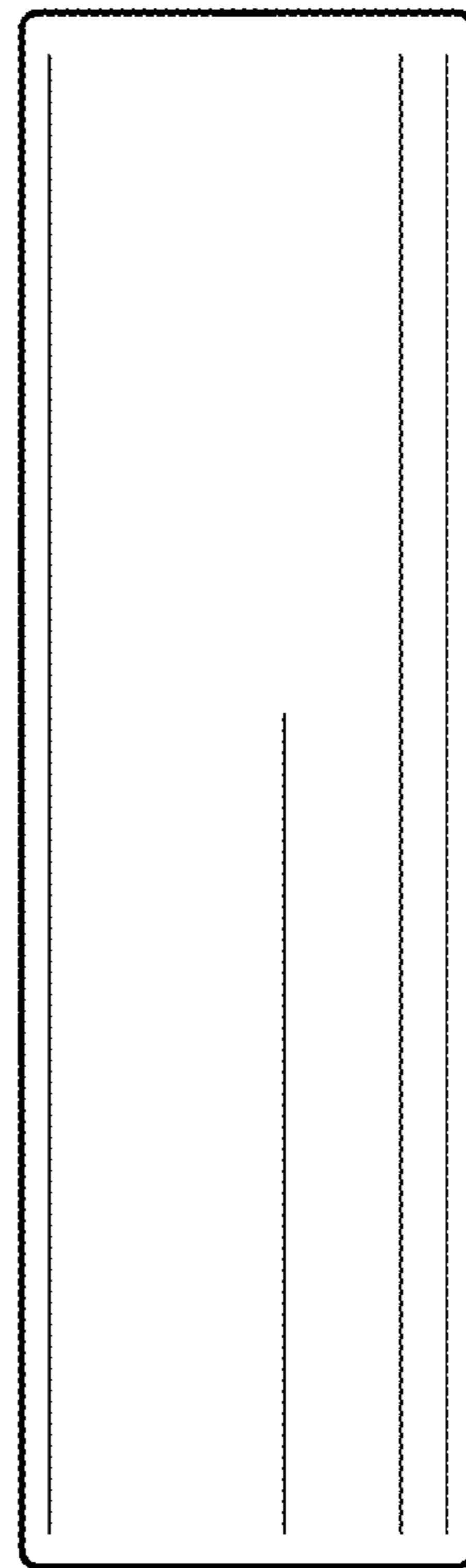


FIG. 5

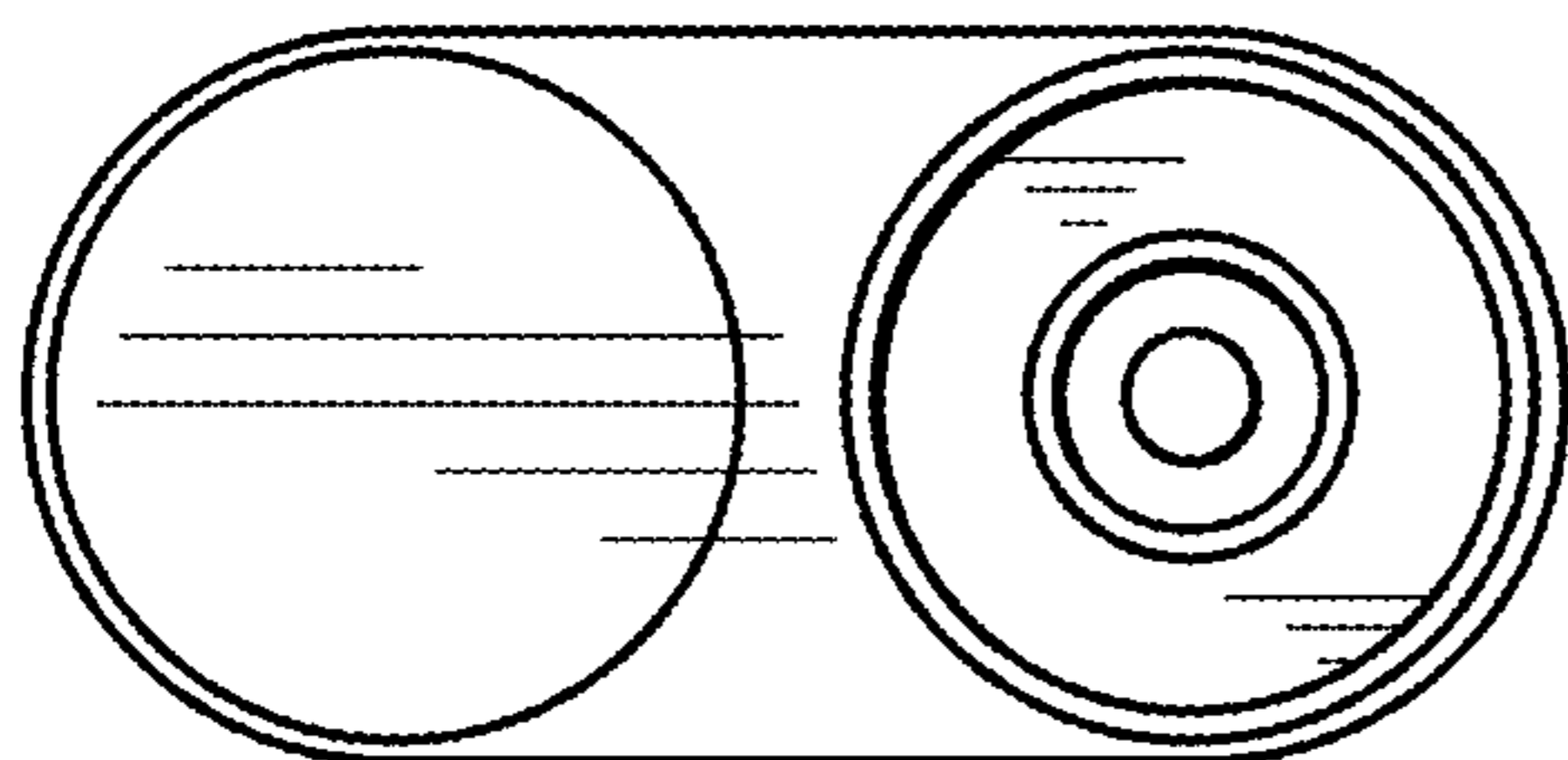


FIG. 6

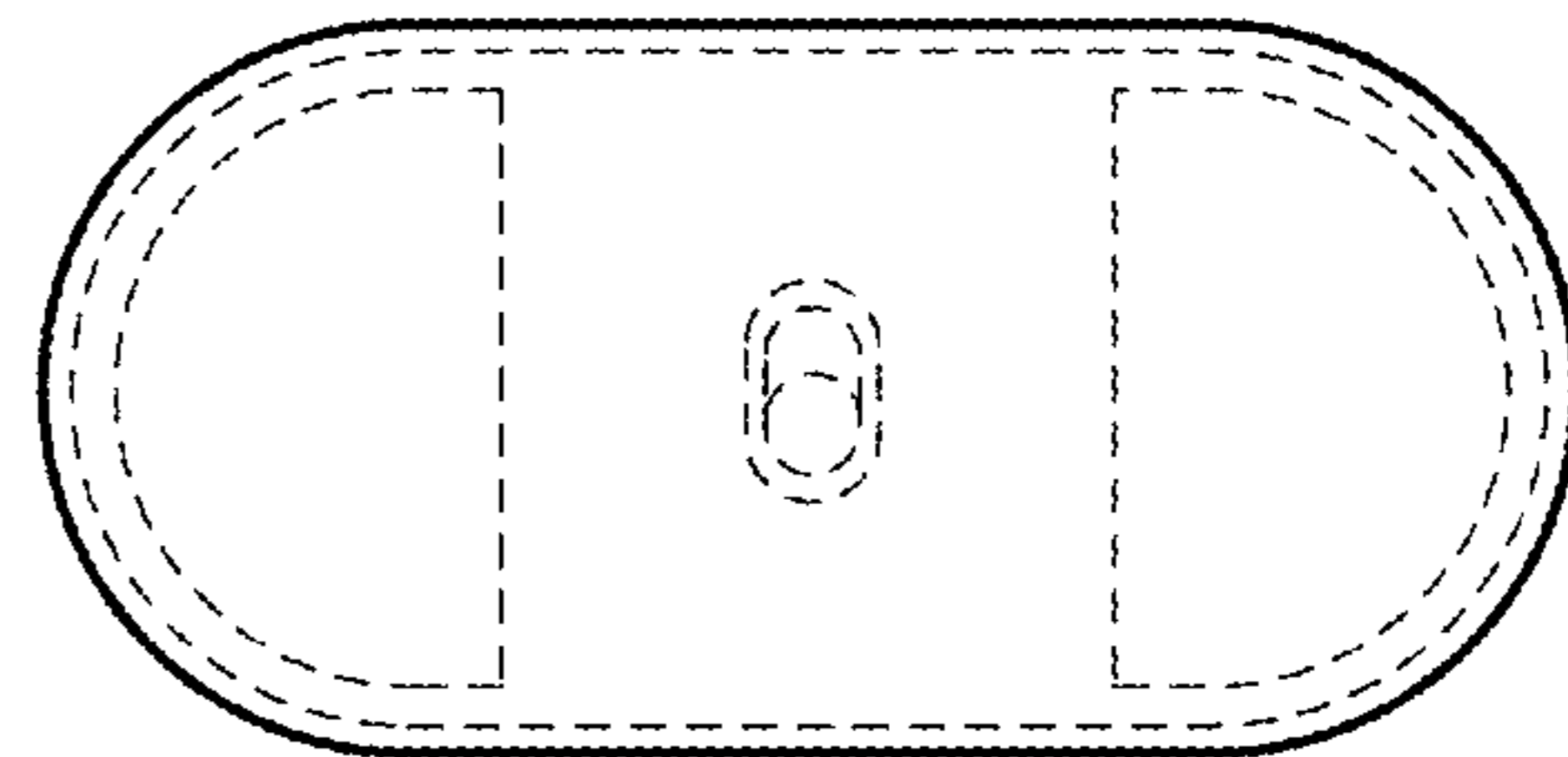


FIG. 7