



US00D807816S

(12) **United States Design Patent**
Petrella

(10) **Patent No.:** **US D807,816 S**
(45) **Date of Patent:** **** Jan. 16, 2018**

(54) **PORTABLE RENEWABLE ENERGY GENERATOR**

(71) Applicant: **Unlimited Power, LTD**, Spindale, NC (US)

(72) Inventor: **Christopher J. Petrella**, Spindale, NC (US)

(73) Assignee: **Unlimited Power, Ltd.**, Spindale, NC (US)

(**) Term: **15 Years**

(21) Appl. No.: **29/579,328**

(22) Filed: **Sep. 29, 2016**

(51) **LOC (11) Cl.** **13-02**

(52) **U.S. Cl.**
USPC **D13/102**

(58) **Field of Classification Search**
USPC D3/201, 218, 219, 269, 272, 273, 274, D3/276, 279, 281, 287, 289, 292, 318, D3/321; D8/375; D9/418; D13/101, D13/102, 103, 106, 107, 108, 110, 116, D13/118, 123, 133, 134, 135, 146, 147, D13/148, 149, 150, 151, 153, 154, 155, D13/156, 159, 161, 173, 184, 199
CPC B64G 1/443; B64G 1/222; Y02E 10/52; H02J 7/355; H02J 17/00; H01M 10/465; H01M 16/006; H04M 19/08; H04M 1/04
See application file for complete search history.

(56) **References Cited**

U.S. PATENT DOCUMENTS

D479,191 S *	9/2003	Peress	D13/102
D493,769 S *	8/2004	Kessler	D13/102
D510,316 S *	10/2005	Hayakawa	D13/102
D528,501 S *	9/2006	Lam	D13/102
D536,299 S *	2/2007	Lam	D13/102
D670,645 S *	11/2012	Qian	D13/102
D680,948 S *	4/2013	Lin	D13/102

D780,450 S * 3/2017 Aoki D3/276
2008/0283114 A1* 11/2008 Gray G06F 1/1628
136/245
2011/0291607 A1* 12/2011 Rossi A45C 5/03
320/101

(Continued)

OTHER PUBLICATIONS

Portable solar power generator system, posted at Ecvv.com, posted on Dec. 30, 2014, [online], [site visited Jun. 20, 2017]. Available from Internet, <<http://www.ecvv.com/product/4494370.html>>.*

(Continued)

Primary Examiner — Mary Ann Calabrese

Assistant Examiner — Catherine Ho

(74) *Attorney, Agent, or Firm* — McNair Law Firm, P.A.; Douglas W. Kim

(57) **CLAIM**

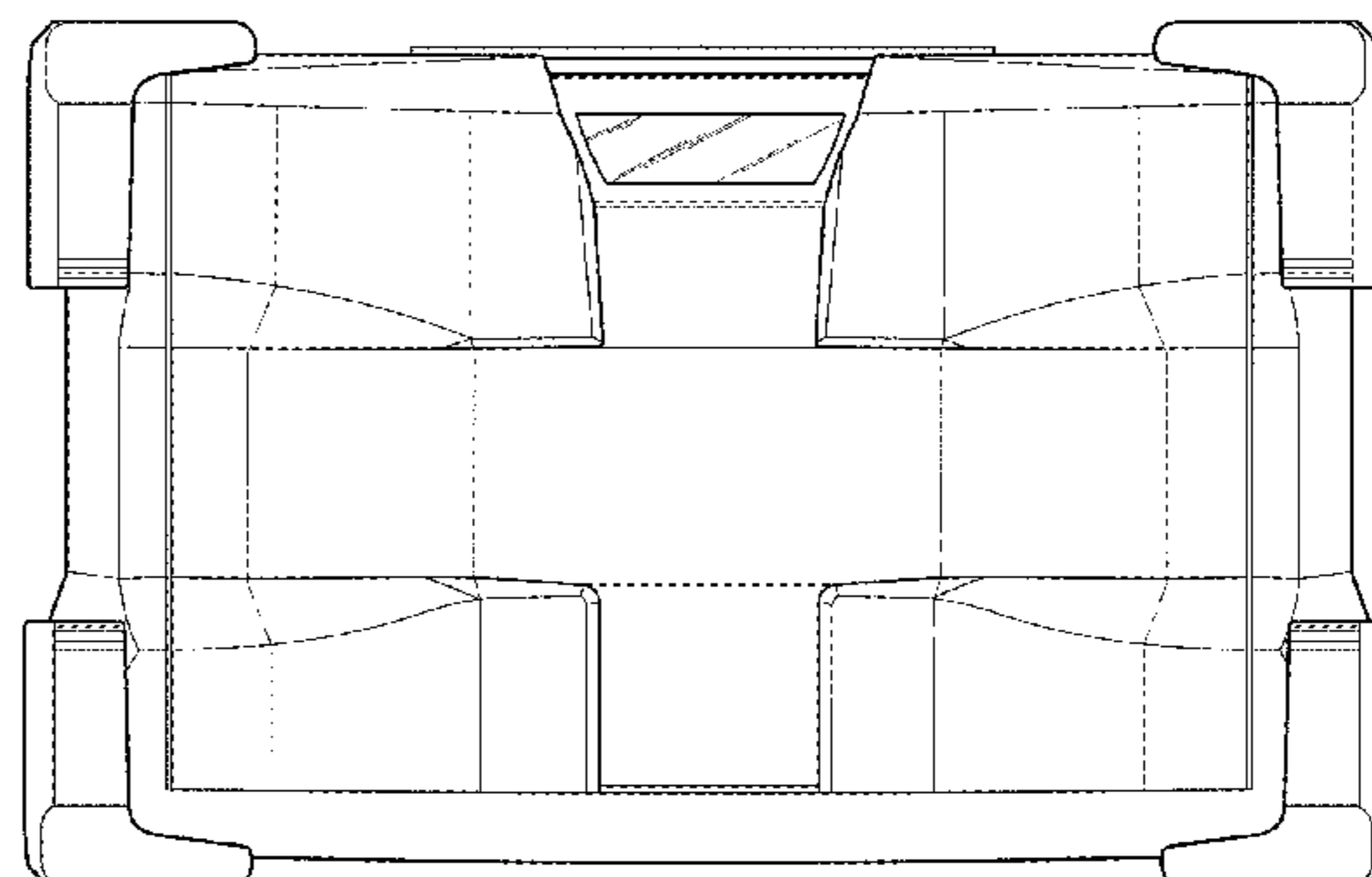
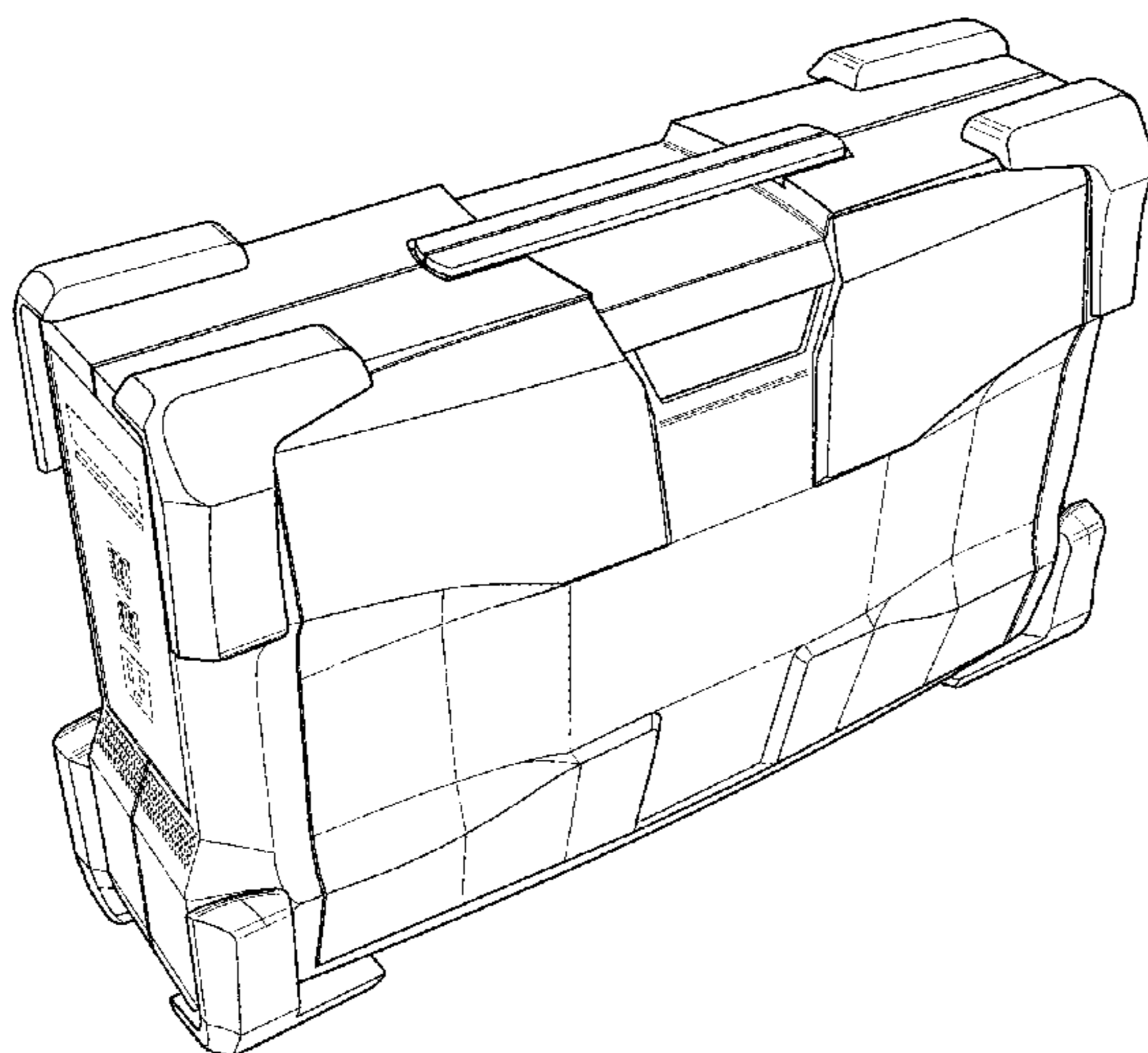
The ornamental design for a portable renewable energy generator, as shown and described.

DESCRIPTION

FIG. 1 is a perspective view of the portable renewable energy generator;
FIG. 2 is a front view of the portable renewable energy generator;
FIG. 3 is a rear view of the portable renewable energy generator;
FIG. 4 is a left side view of the portable renewable energy generator;
FIG. 5 is a right side view of the portable renewable energy generator; and,
FIG. 6 is a top view of the portable renewable energy generator.

The broken line portion of the figure drawings is included to show portions of the article that form no part of the claimed design.

1 Claim, 3 Drawing Sheets



(56)

References Cited

U.S. PATENT DOCUMENTS

2013/0043826 A1* 2/2013 Workman H01M 2/0245
320/101

OTHER PUBLICATIONS

New Design Outdoor Use Portable AC Solar Power Generator, posted at Alibaba.com, posted on Nov. 21, 2015, [online], [site visited Jun. 20, 2017]. Available from Internet, <https://www.alibaba.com/product-detail/New-Design-Outdoor-Use-Portable-AC_1873203696.html>.*

The National Guard Adopts Joint Stading Resolution, posted at Prweb.com, posted on Nov. 3, 2015, [online], [site visited Jun. 20, 2017]. Available from Internet, <<http://www.prweb.com/releases/2015/11/prweb13057215.htm>>.*

Stock Photo, posted at Alamy.com, posted on Oct. 7, 2015, [online], [site visited Jun. 20, 2017]. Available from Internet, <<http://www.alamy.com/stock-photo-us-military-grade-solar-power-equipment-by-energy-technologies-usa-88520614.html>>.*

* cited by examiner

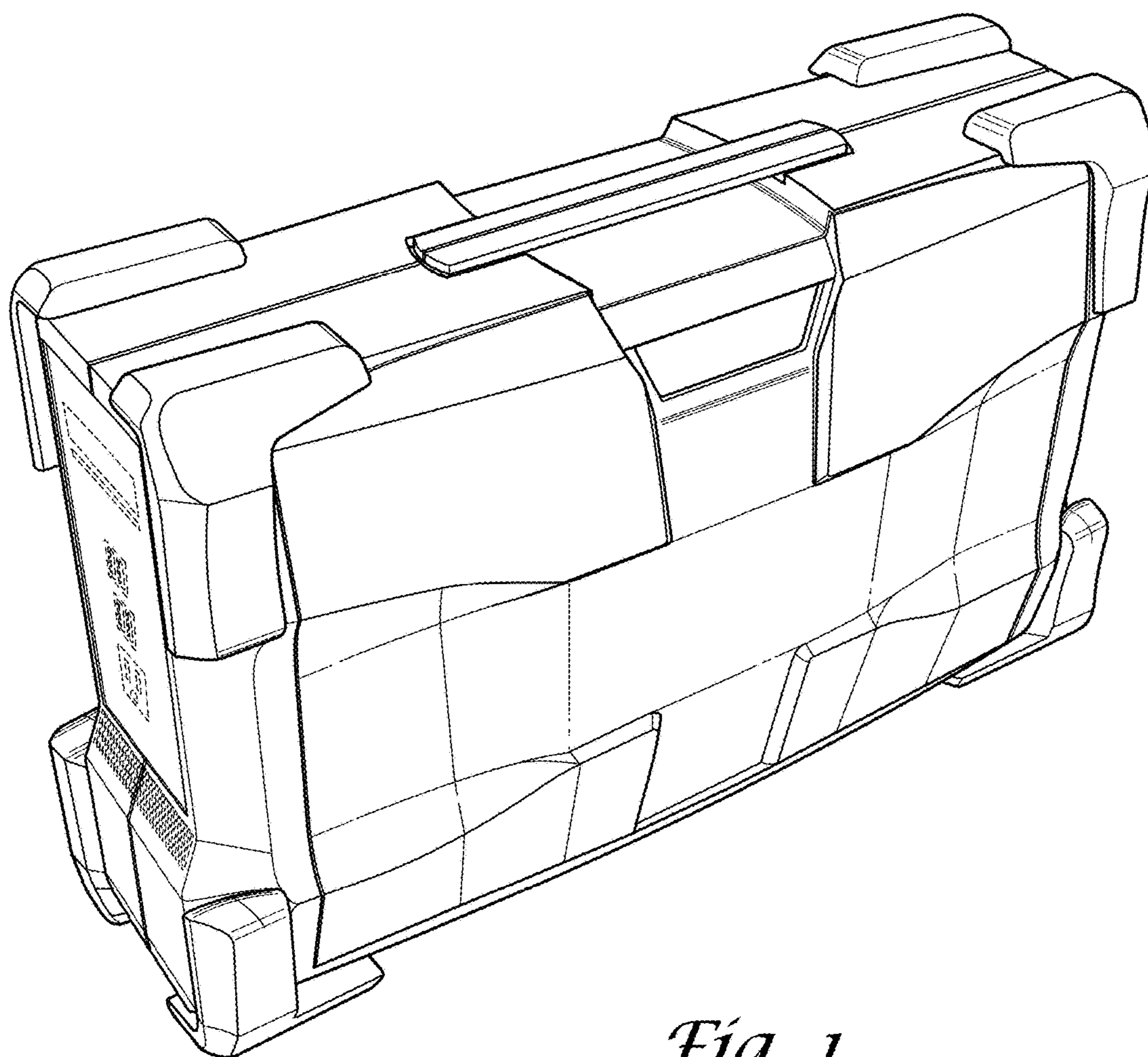


Fig. 1

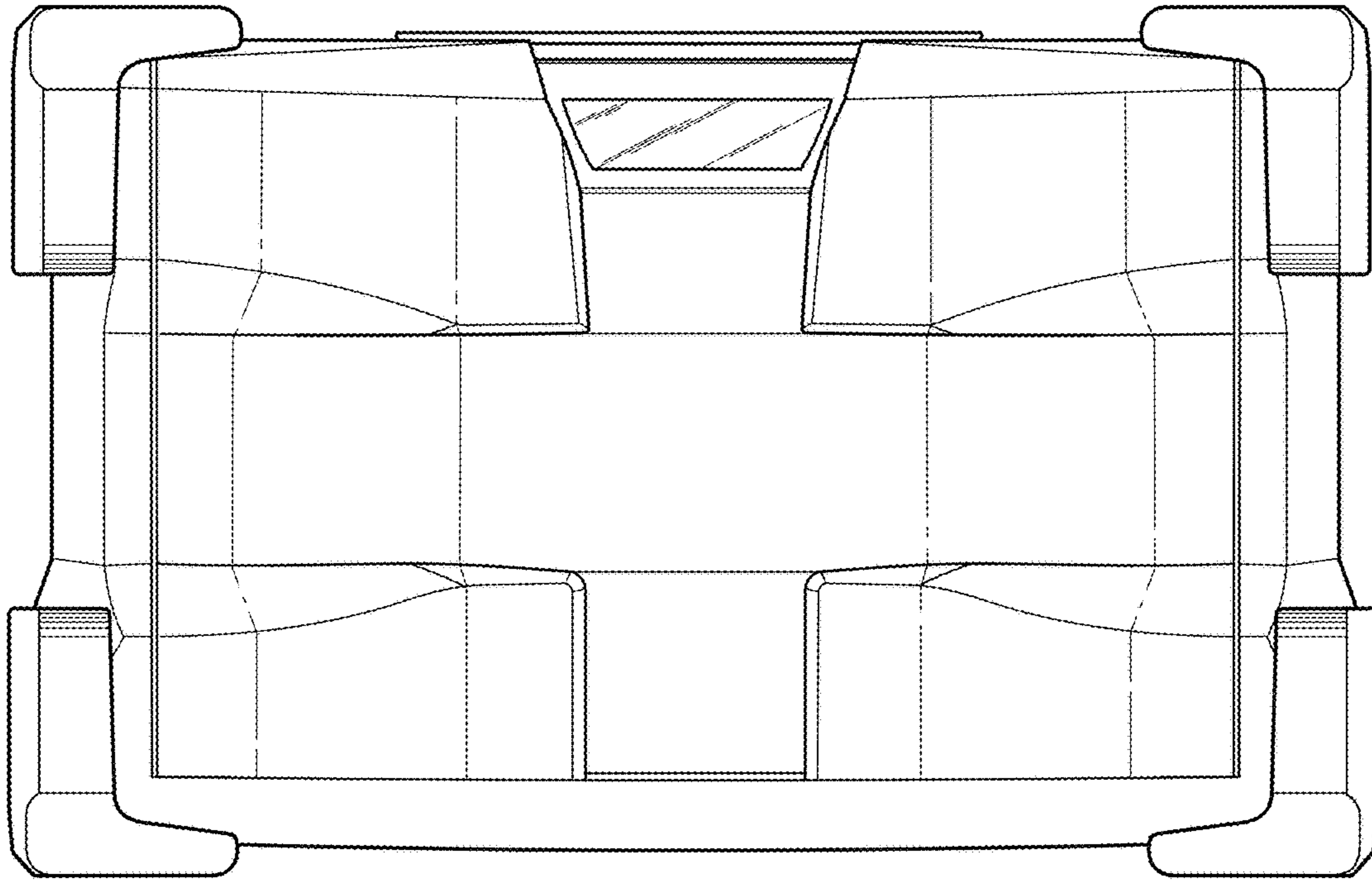


Fig. 2

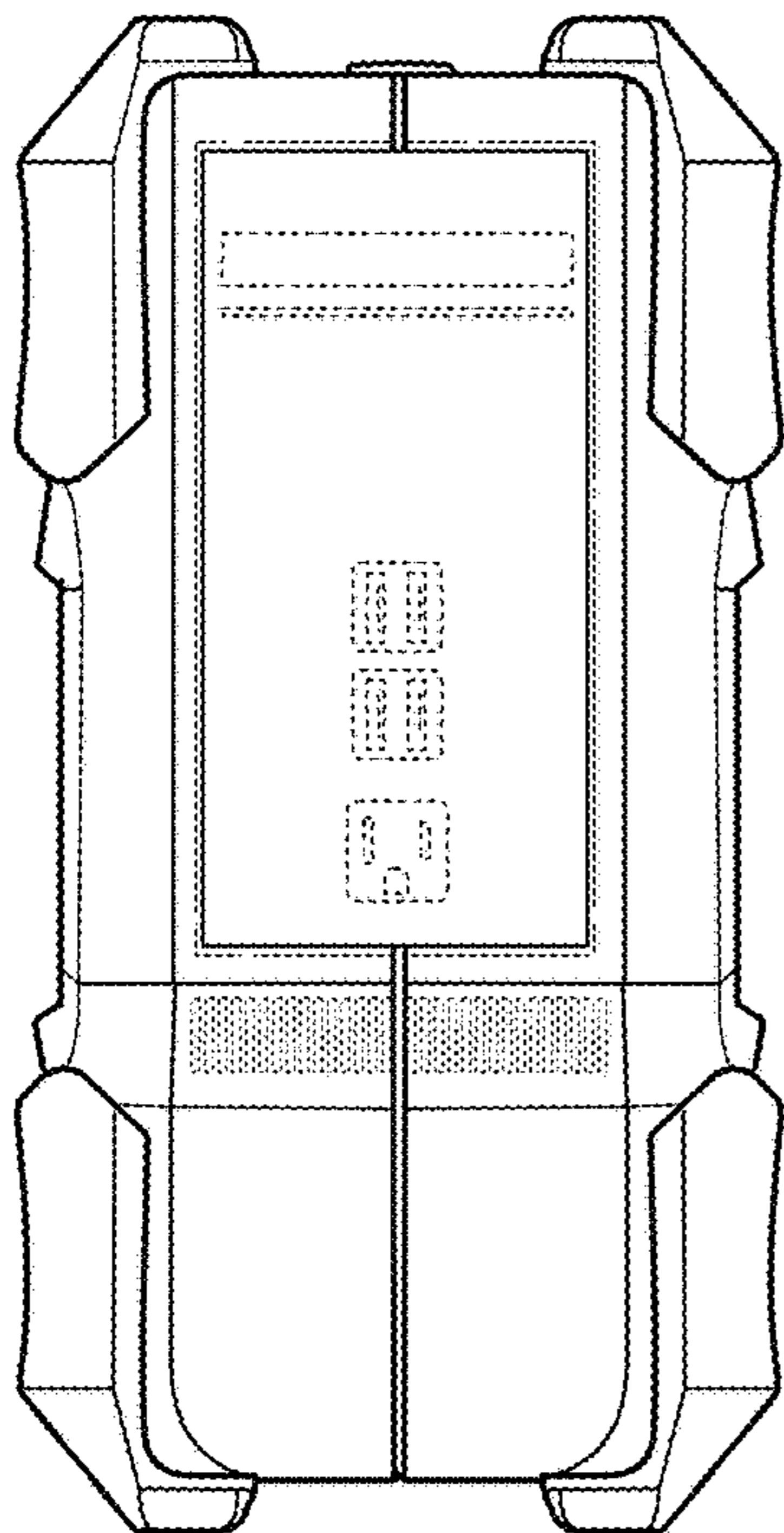


Fig. 3

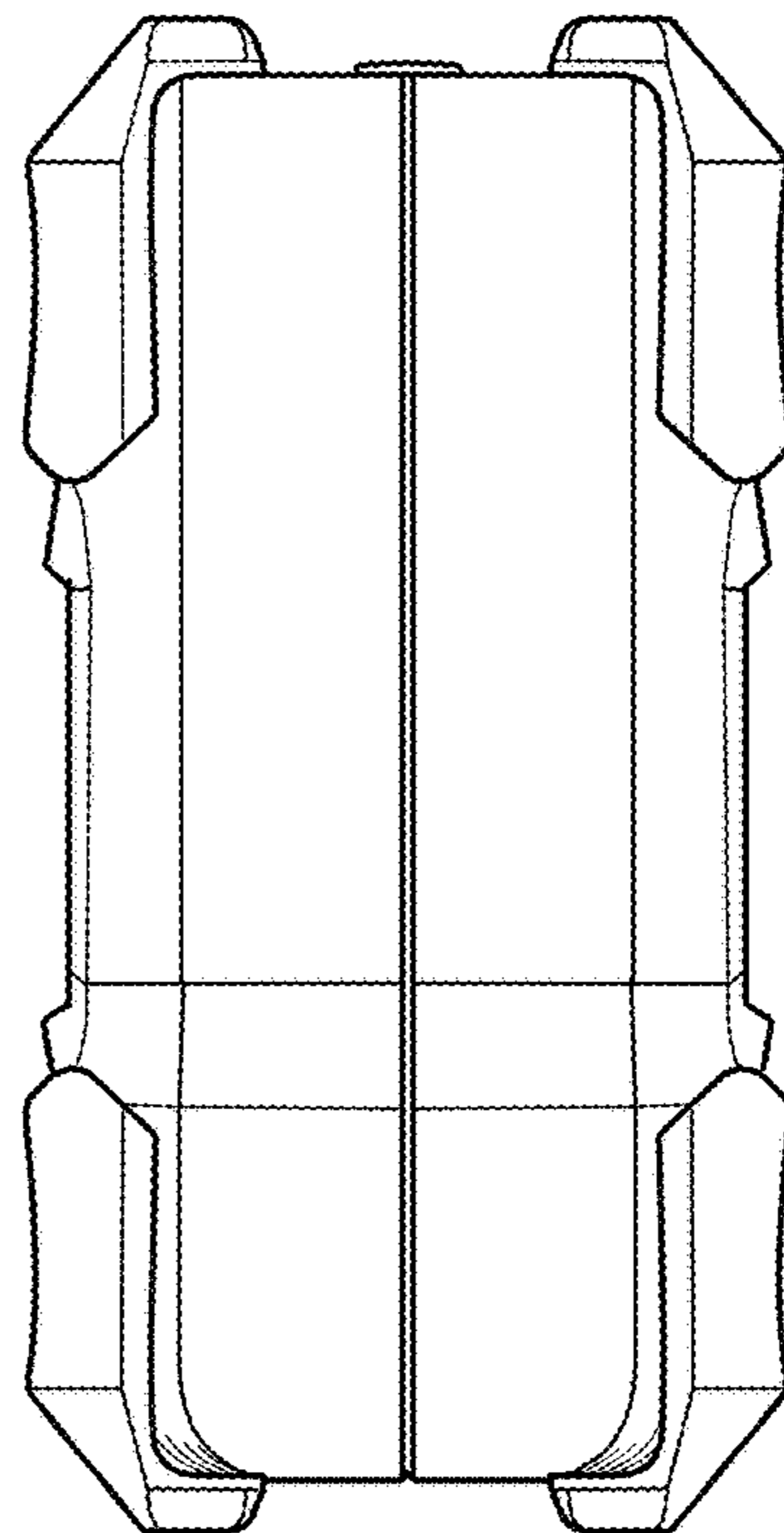


Fig. 4

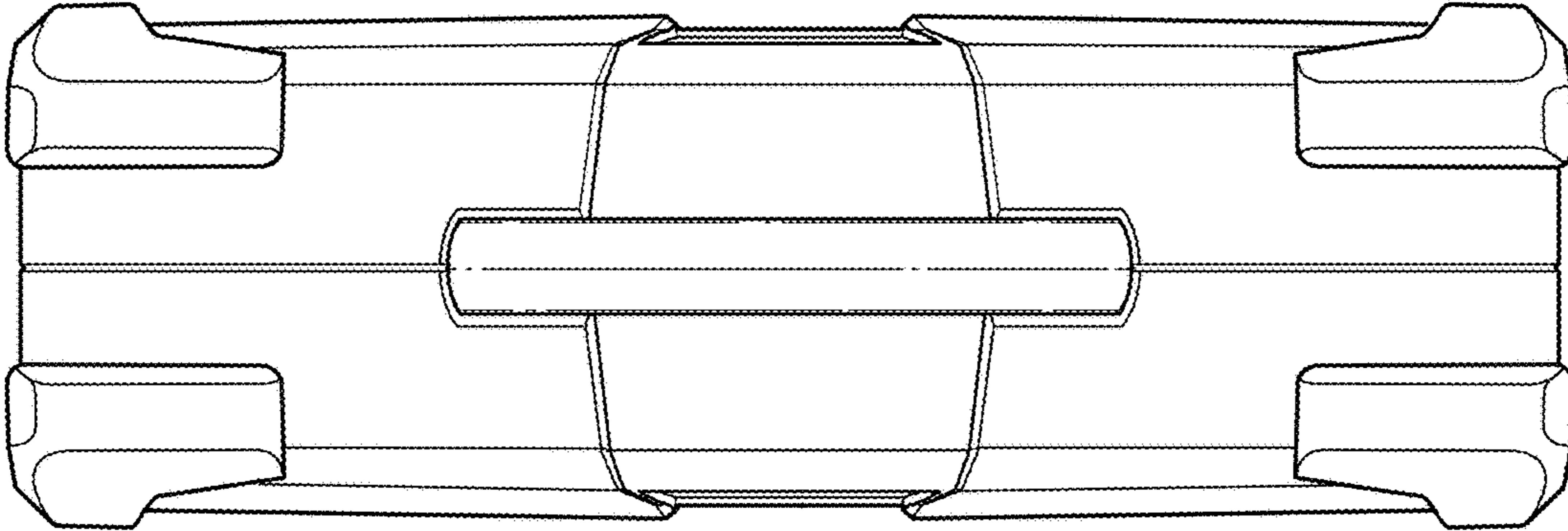


Fig. 5

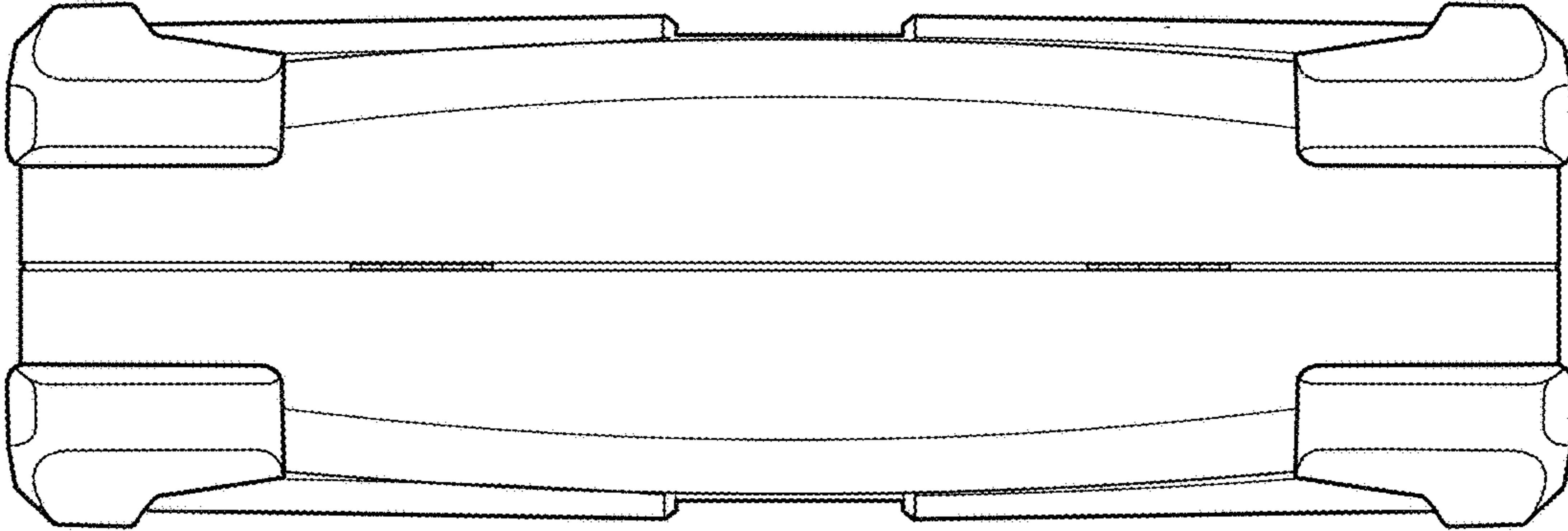


Fig. 6

UNITED STATES PATENT AND TRADEMARK OFFICE
CERTIFICATE OF CORRECTION

PATENT NO. : D807,816 S
APPLICATION NO. : 29/579328
DATED : January 16, 2018
INVENTOR(S) : Bomer

Page 1 of 1

It is certified that error appears in the above-identified patent and that said Letters Patent is hereby corrected as shown below:

On the Title Page

Item (12), should read:

-- Bomer --

“(72) Inventor: Christopher J. Petrella, Spindale, NC (US)”

Should read:

-- (72) Inventor: Benjamin Bomer, Swannanoa, NC (US) --

Signed and Sealed this
Twenty-eighth Day of September, 2021



Drew Hirshfeld
*Performing the Functions and Duties of the
Under Secretary of Commerce for Intellectual Property and
Director of the United States Patent and Trademark Office*